



US00D596873S

(12) **United States Design Patent**  
**Hughes**

(10) **Patent No.:** **US D596,873 S**

(45) **Date of Patent:** **\*\* Jul. 28, 2009**

(54) **FEED PANTRY ASSEMBLY**

(76) Inventor: **Teresa Hughes**, 4345 Rues Landing Rd.,  
St. Augustine, FL (US) 32092

(\*\*) Term: **14 Years**

(21) Appl. No.: **29/314,039**

(22) Filed: **Feb. 27, 2009**

(51) **LOC (9) Cl.** ..... **06-04**

(52) **U.S. Cl.** ..... **D6/432**

(58) **Field of Classification Search** ..... D6/432-448,  
D6/559; 312/107, 114, 116, 117, 126, 138.1,  
312/204, 257.1

See application file for complete search history.

(56) **References Cited**

**U.S. PATENT DOCUMENTS**

D286,122	S	*	10/1986	Golias	.....	D6/559
5,690,401	A	*	11/1997	Franklin	.....	312/107
D421,685	S	*	3/2000	Carrabba	.....	D6/432
D459,611	S	*	7/2002	Lio et al.	.....	D6/432
D464,823	S	*	10/2002	Malone	.....	D6/432
D489,197	S	*	5/2004	Harwanko	.....	D6/432
D492,509	S	*	7/2004	Anderson et al.	.....	D6/448
2002/0060511	A1	*	5/2002	Ma et al.	.....	312/116
2004/0222725	A1	*	11/2004	Park et al.	.....	312/204
2006/0273700	A1	*	12/2006	Gornoll et al.	.....	312/116
2008/0164788	A1	*	7/2008	Riblier et al.	.....	312/116

\* cited by examiner

*Primary Examiner*—Mimosa De

(74) *Attorney, Agent, or Firm*—Stephen E. Kelly; Richard S. Vermut; Rogers Towers, P.A.

(57) **CLAIM**

The ornamental design for a feed pantry assembly, as shown and described.

**DESCRIPTION**

FIG. 1 is a front perspective view of the invention, showing the door of the pantry open, thereby exposing to view the message board on the inside surface of the door and the individual feed boxes having indicia on the front side of each box.

FIG. 2 is a front view of the invention.

FIG. 3 is a rear view of the invention.

FIG. 4 is a right side view of the invention, the left side view being the reverse.

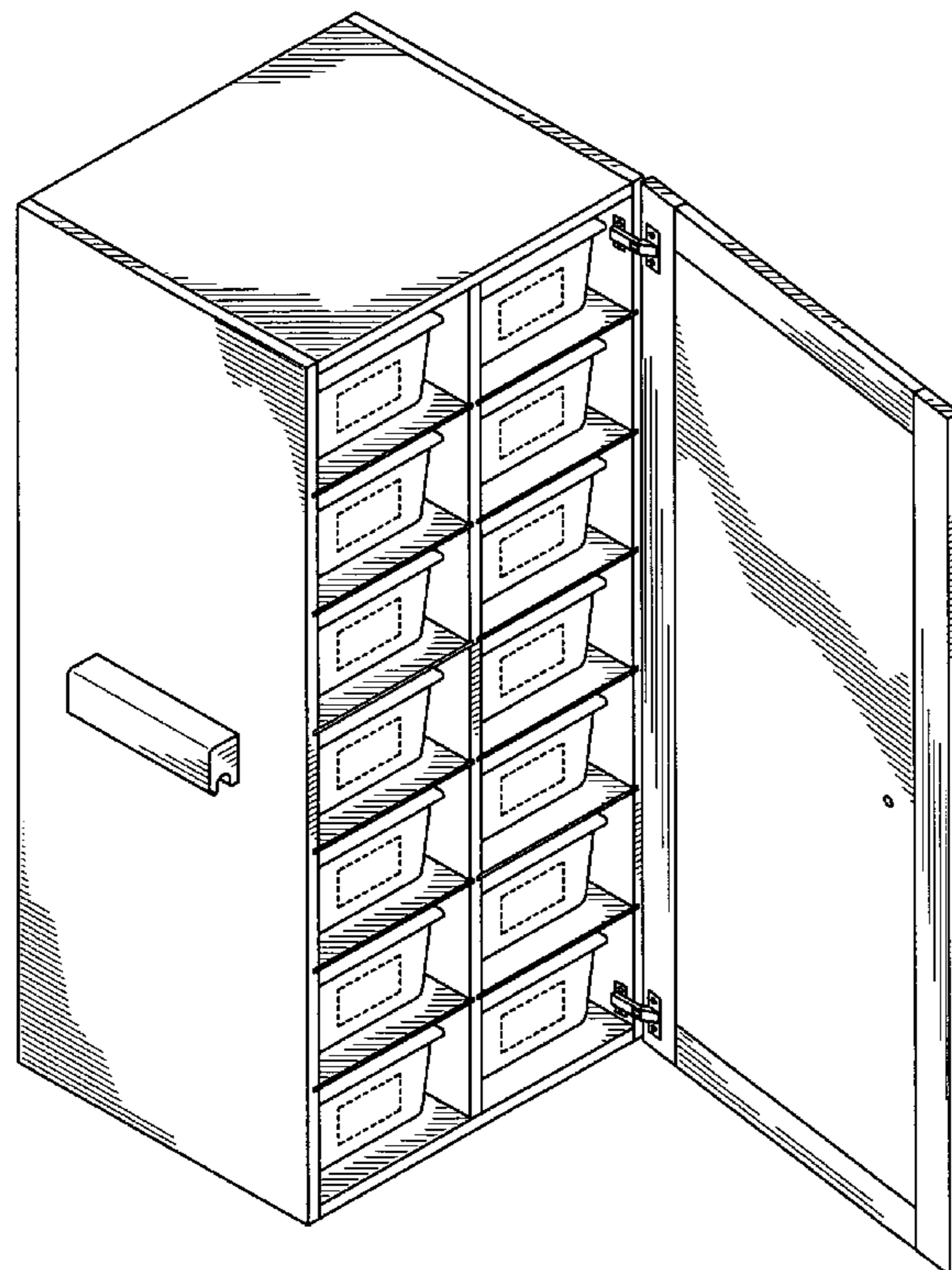
FIG. 5 is a top view of the invention.

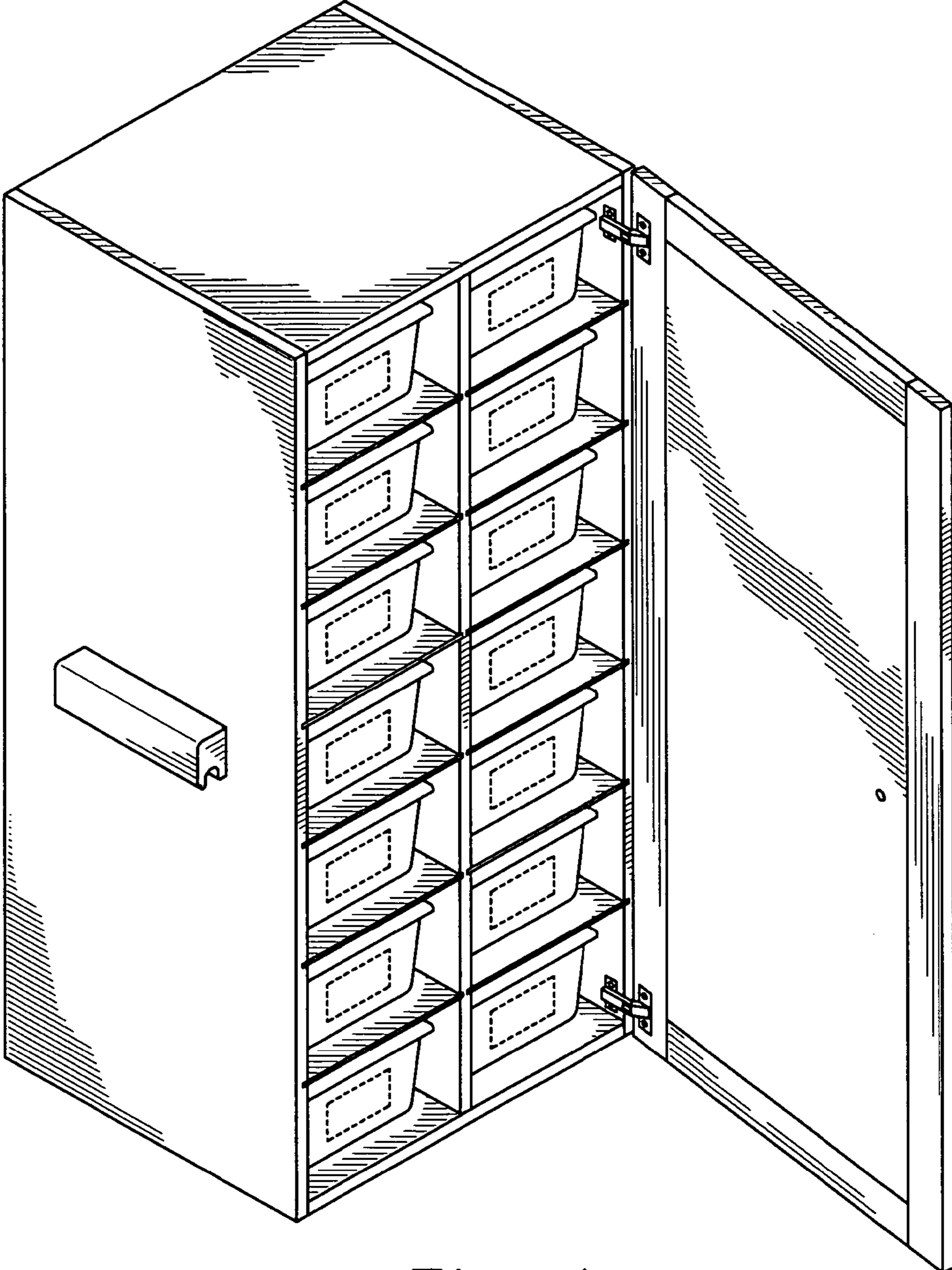
FIG. 6 is a bottom view of the invention; and,

FIG. 7 is a front view of the invention, showing the door of the pantry open, thereby exposing to view the individual feed boxes having indicia on the front side of each box.

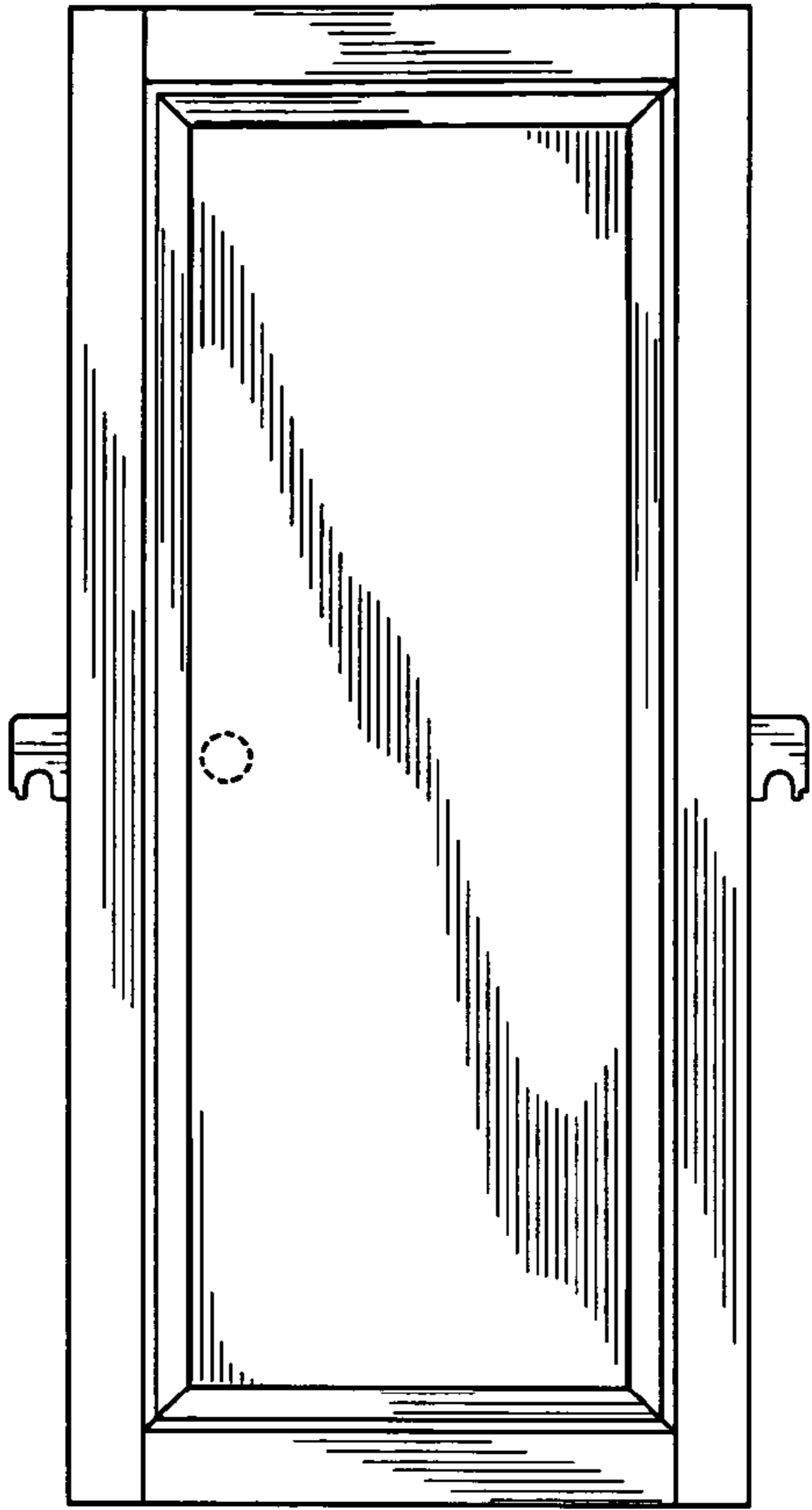
The broken lines showing the indicia on the front side of each box in drawing are for illustrative purposes only and form no part of the claimed design.

**1 Claim, 4 Drawing Sheets**

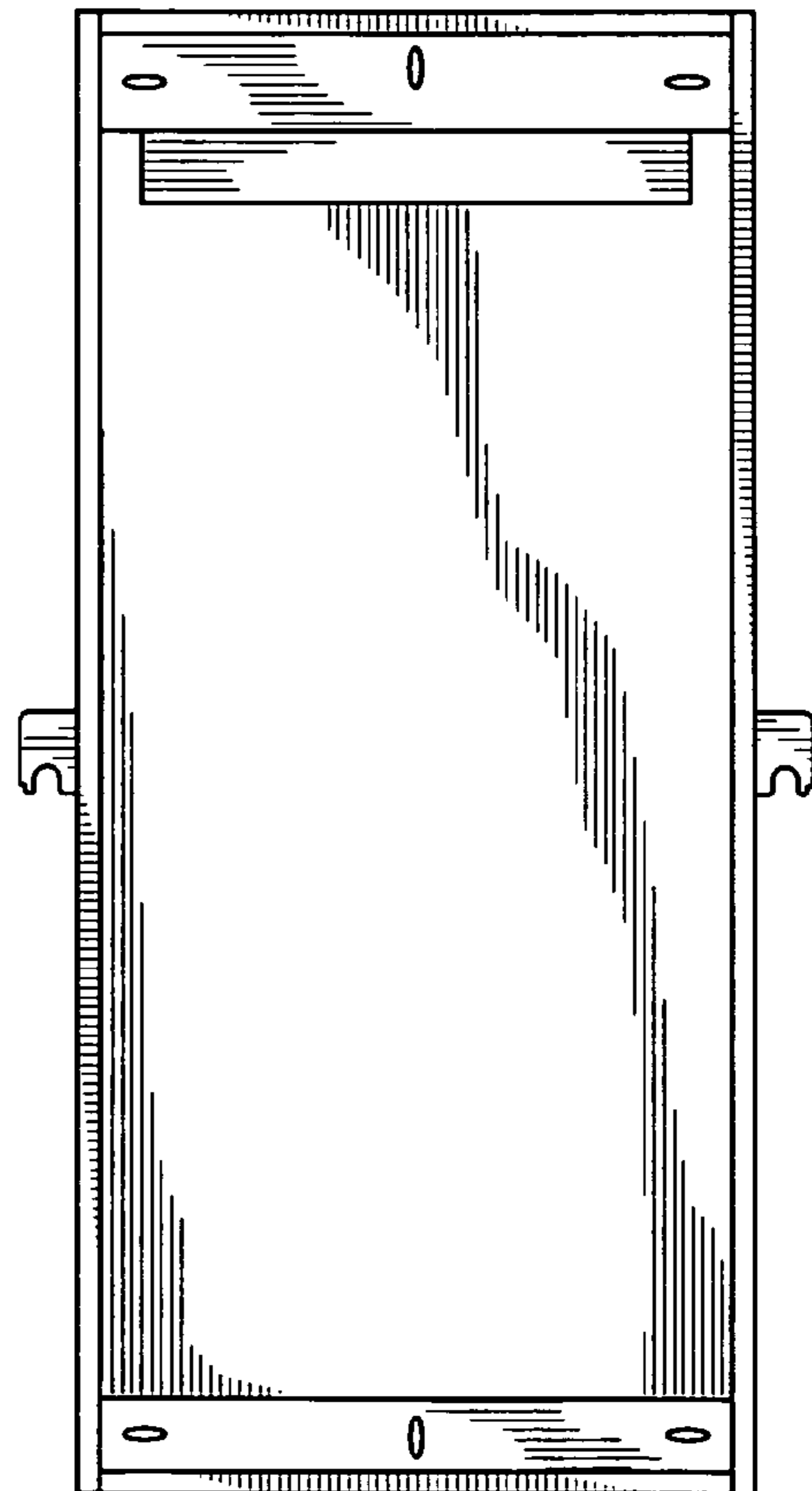




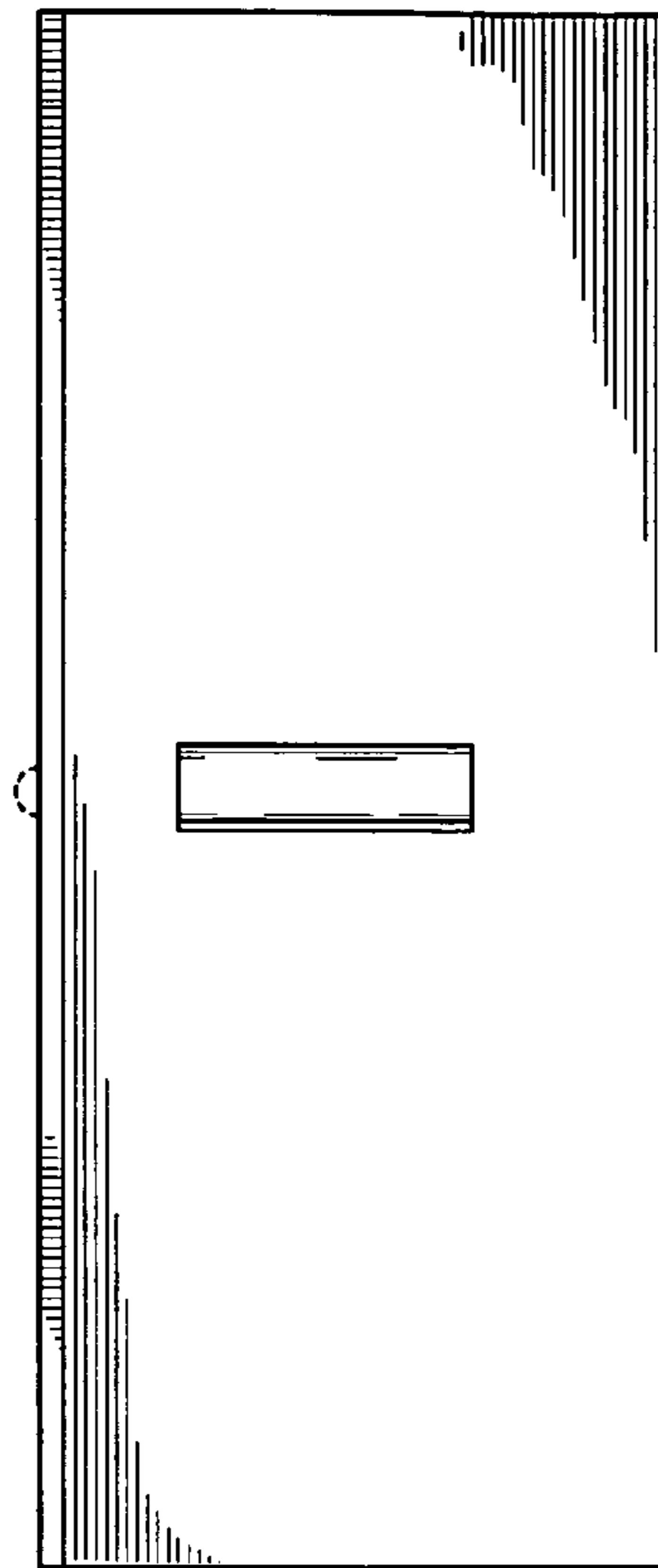
*Fig. 1*



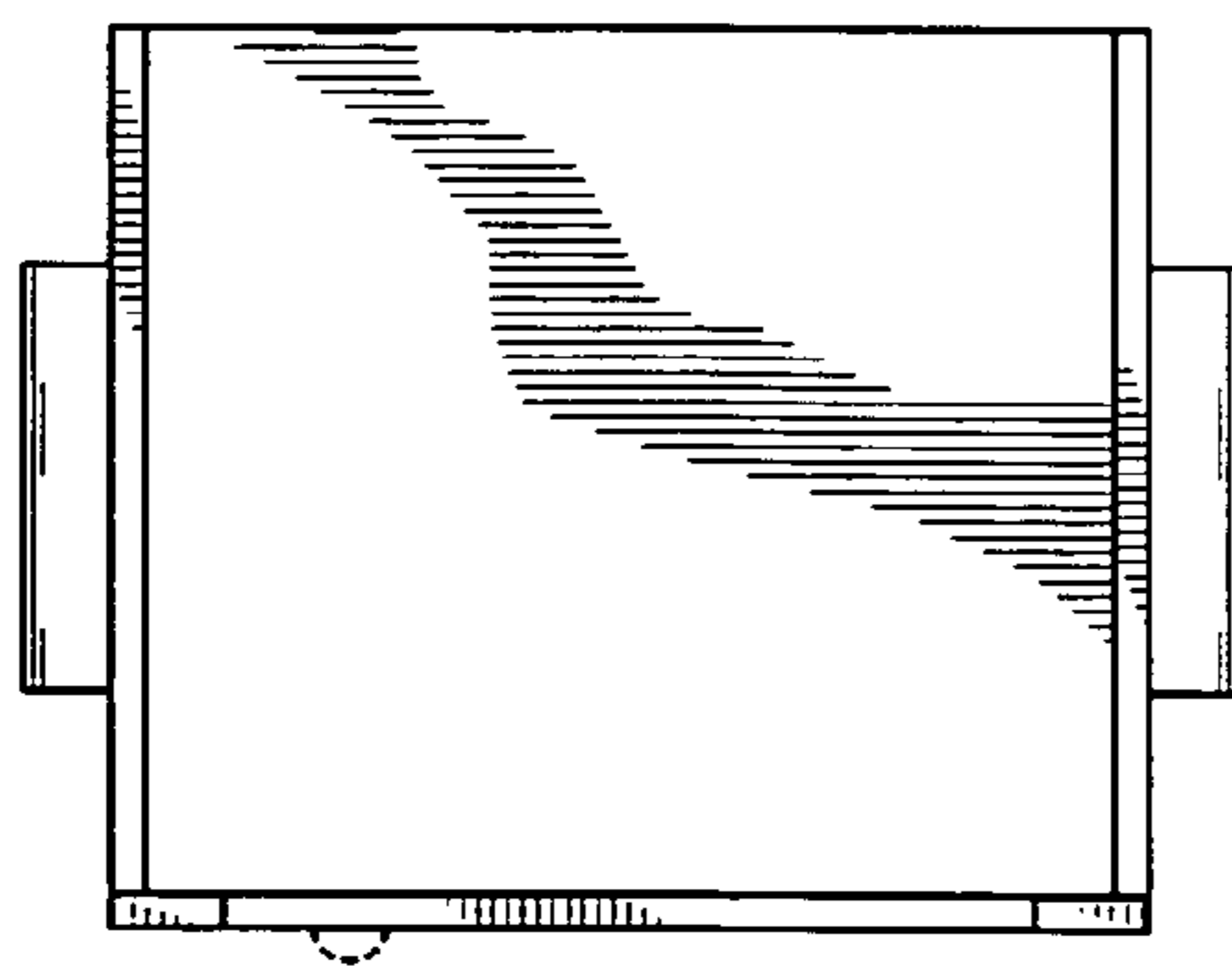
*Fig. 2*



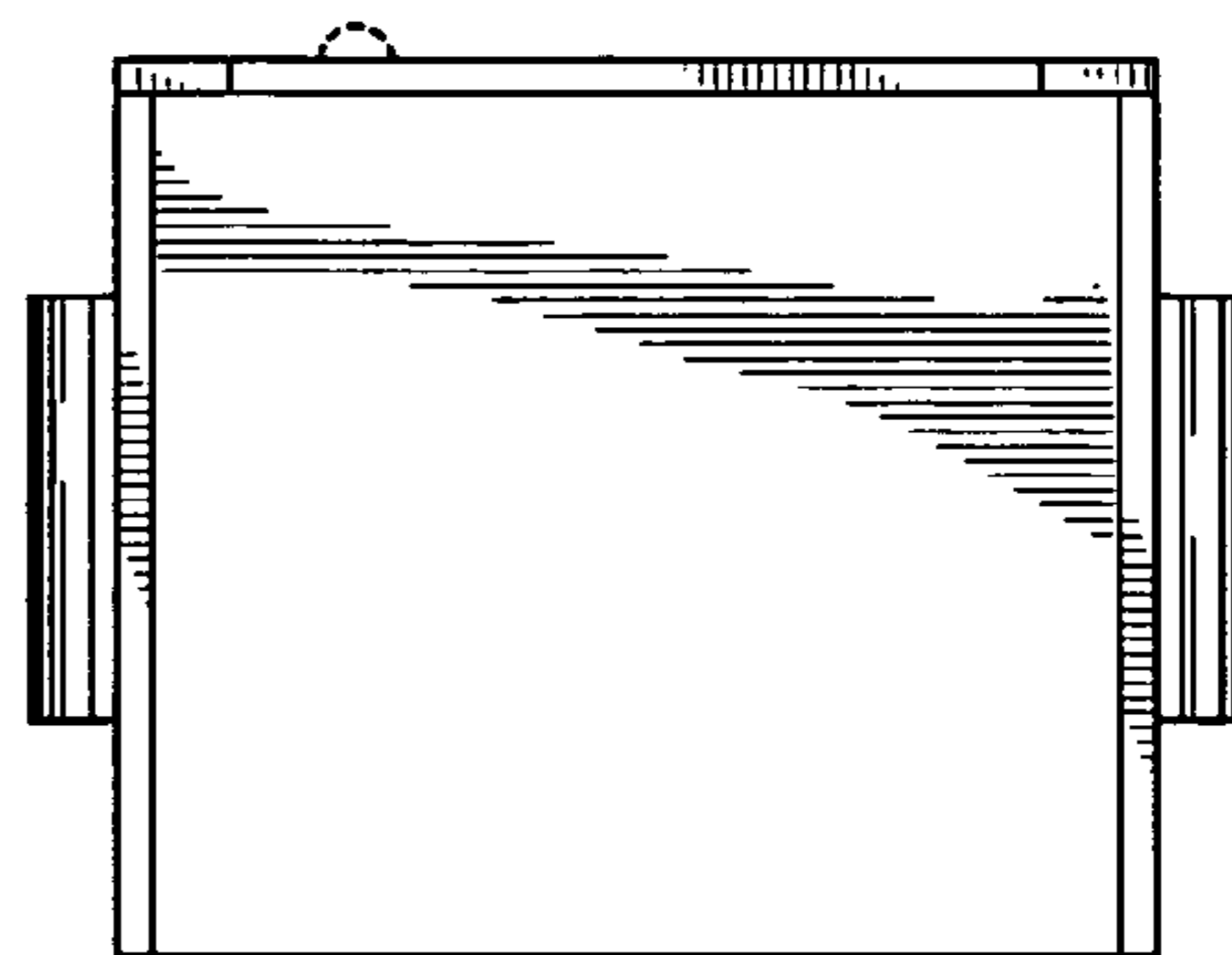
*Fig. 3*



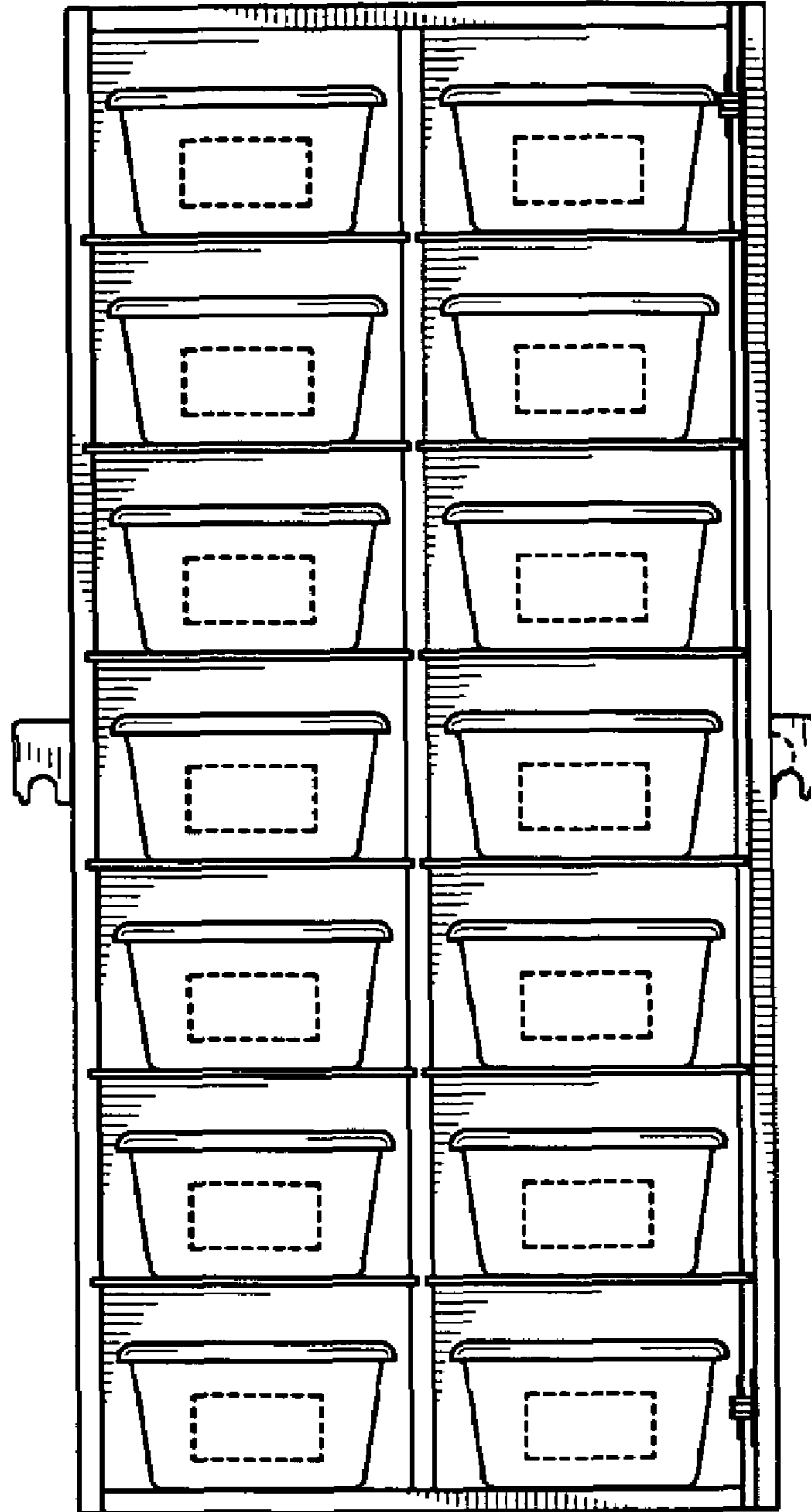
*Fig. 4*



*Fig. 5*



*Fig. 6*



*Fig. 7*