

US00D596871S

(12) **United States Design Patent**  
**Farber**

(10) **Patent No.:** **US D596,871 S**  
(45) **Date of Patent:** **\*\* \*Jul. 28, 2009**

- (54) **STACKING CHAIR**
- (75) Inventor: **Robert Farber**, Montreal (CA)
- (73) Assignee: **GSC Technologies Corporation**, St. Jean (CA)
- (\* ) Notice: This patent is subject to a terminal disclaimer.
- (\*\*) Term: **14 Years**
- (21) Appl. No.: **29/281,932**
- (22) Filed: **Jul. 6, 2007**

- D334,671 S 4/1993 Mayer
- D335,042 S 4/1993 Gibbs
- D336,385 S 6/1993 Gibbs
- D339,006 S 9/1993 Schneider
- D339,245 S 9/1993 Grosfillex
- D341,038 S 11/1993 Danko
- D343,964 S 2/1994 Gibbs
- D358,514 S 5/1995 Lovegrove
- D361,908 S 9/1995 Sauvage
- D364,973 S 12/1995 de Reuver
- D365,454 S 12/1995 Thomson
- D367,182 S 2/1996 Bonaddio et al.
- D373,273 S 9/1996 Zapf
- D393,158 S 4/1998 Smith
- D406,196 S 3/1999 Lyons

(Continued)

- (51) **LOC (9) Cl.** ..... **06-01**
- (52) **U.S. Cl.** ..... **D6/375**
- (58) **Field of Classification Search** ..... D6/364-369, D6/334-336, 356, 358, 361, 370, 372-376, D6/379, 380, 449, 491, 492, 495, 498, 500-502; 297/411.2, 411.27, 411.28, 411.36, 452.29, 297/284.4, 452.3

See application file for complete search history.

(56) **References Cited**

**U.S. PATENT DOCUMENTS**

- D181,945 S 1/1958 Saarinen
- D183,416 S 8/1958 Bellmann
- D193,847 S 10/1962 Mason
- D205,939 S 10/1966 Laverne et al.
- D207,955 S \* 6/1967 Rodrigo ..... D6/375
- D209,282 S 11/1967 Boyd et al.
- D226,648 S 4/1973 Sebel et al.
- D230,670 S 3/1974 Begge
- D237,023 S \* 10/1975 Rossi ..... D6/360
- D238,837 S 2/1976 Mulhauser
- D239,234 S 3/1976 Gamble
- D255,184 S 6/1980 Locher
- D259,688 S 6/1981 Ambasz
- D265,961 S 8/1982 Snodgrass
- D274,771 S 7/1984 Ambasz et al.
- D282,224 S 1/1986 Huldt
- D288,506 S 3/1987 Ochsner
- D299,191 S 1/1989 Frinier

**OTHER PUBLICATIONS**

DAR chair; The Modern Chair: Classic Designs by Thonet, Breuer, Le Corbusier, Eames and Others; Meadmore, Clement. 1997, p. 110.\*

(Continued)

*Primary Examiner*—Caron Veynar  
*Assistant Examiner*—Katrina A Kile  
(74) *Attorney, Agent, or Firm*—Cook Alex Ltd.

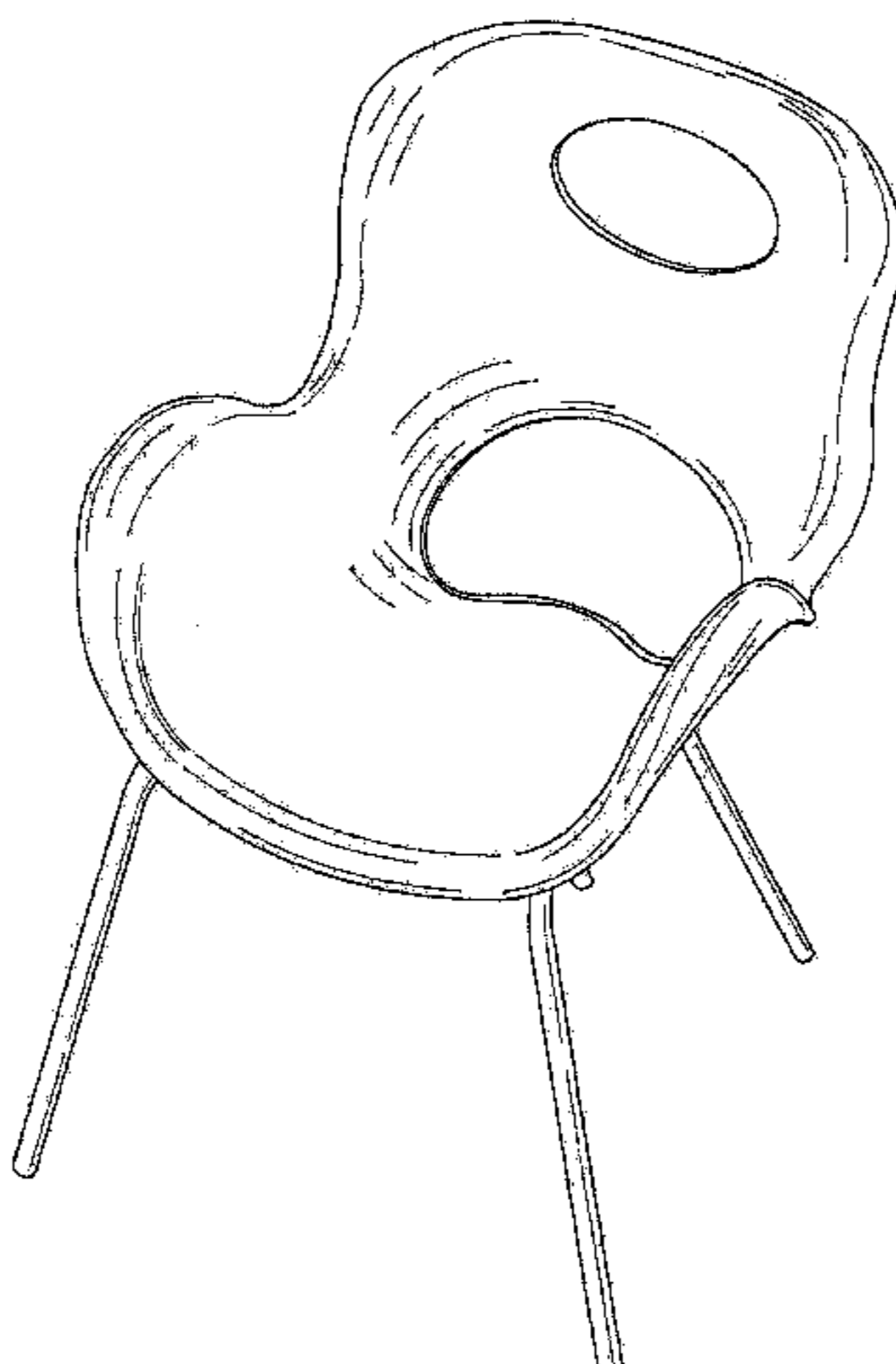
(57) **CLAIM**

The ornamental design for the stacking chair, as shown and described.

**DESCRIPTION**

FIG. 1 is front perspective view of the design of the present invention.  
FIG. 2 is a rear view of the design shown in FIG. 1.  
FIG. 3 is a front view of the design shown in FIG. 1.  
FIG. 4 is a right side view of the design shown in FIG. 1, with left side being a mirror image thereof.  
FIG. 5 is a bottom view of the design shown in FIG. 1; and, FIG. 6 is a top view of the design shown in FIG. 1.

**1 Claim, 4 Drawing Sheets**



U.S. PATENT DOCUMENTS

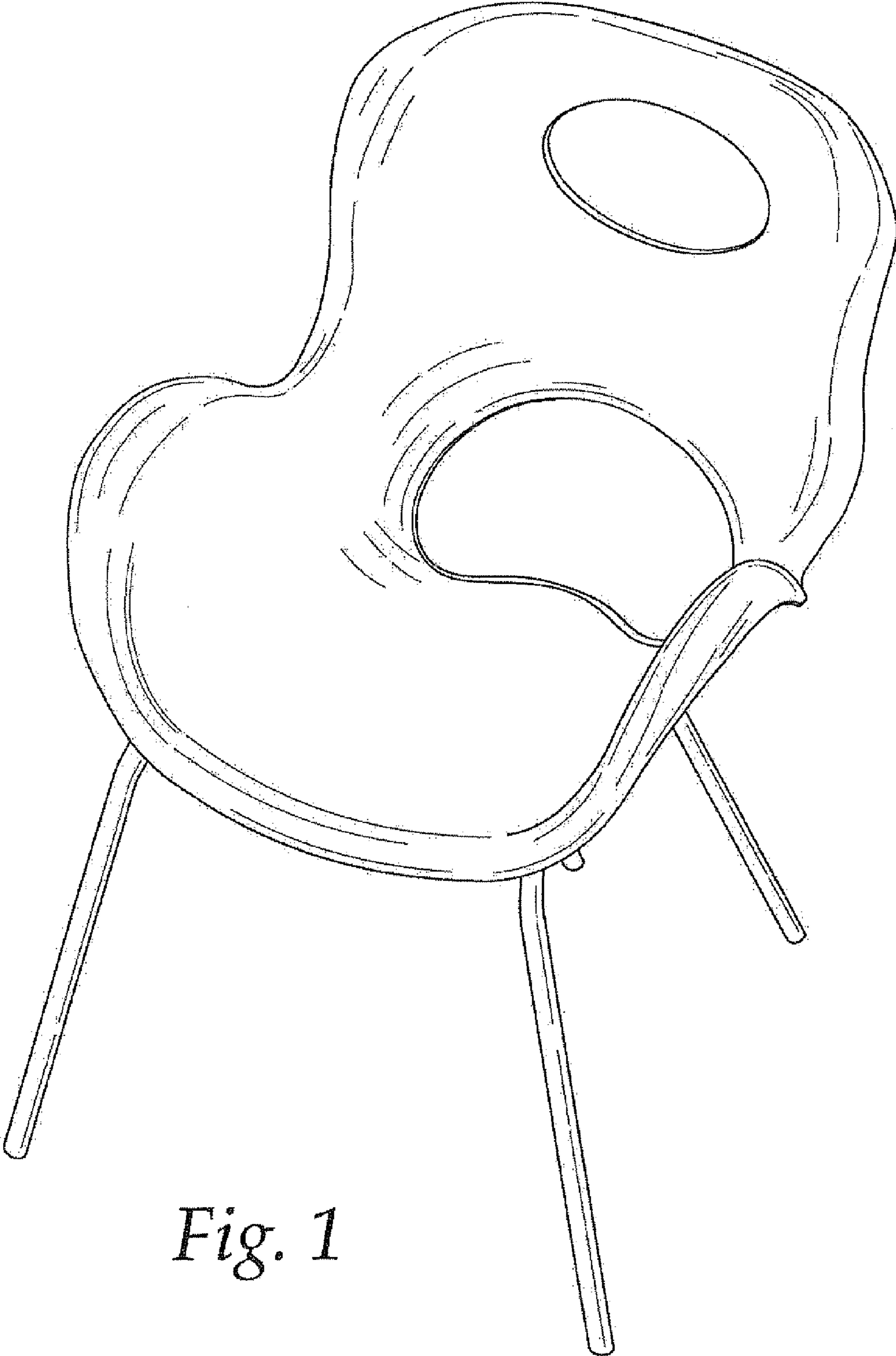
D417,795 S	12/1999	Rashid	
D417,968 S	12/1999	Van Rhiemen	
D422,805 S	4/2000	Smith	
D426,973 S	* 6/2000	Risdall	..... D6/375
D440,064 S	4/2001	Deacon	
D465,100 S	11/2002	Savini	
D470,320 S	* 2/2003	Schloss	..... D6/375
D471,729 S	3/2003	Glass et al.	
D488,631 S	4/2004	Newhouse	
D503,560 S	4/2005	Rowland et al.	
D525,445 S	* 7/2006	Liu et al.	..... D6/375
D525,446 S	7/2006	Farber	
D555,380 S	* 11/2007	Farber	..... D6/375
D564,248 S	* 3/2008	Alter Molina et al.	..... D6/373

OTHER PUBLICATIONS

Phil Patton, "Craft: From Eureka to Your House", New York Times Magazine, Dec. 13, 1998, pp. 97-100, USA.  
 Umbra 1999 Supplemental Catalog, image of chair designed by Karim Rashid, p. 30, USA.  
 Mark Borden, "Umbra: When Only the Hippest Trash Can Will Do", Fortune, Mar. 6, 2000, p. 82, USA.  
 "Do the Math", Umbra mailing to customers, May 17, 2000, images of chair by Karim Rashid, no page numbers, USA.  
 "coolroom", Cosmo girl!, Jun./Jul. 2001, image of chair, p. 122, USA.

"wise buys", InStyle, Jul. 2001, vol. 8, No. 8, image of chair by Karim Rashid, page number not available, USA.  
 Natalie Warady, "The Best Seats in the House . . . don't cost a fortune, even if you buy six", Budget Living, Oct./Nov. 2002, p. 36, USA.  
 Hilary Irlam-Kelly, "oh, my!", flare&co., Apr. 2003, p. 205, vol. 25, Issue 4, image of chair by Karim Rashid for Umbra.  
 "Perfekte Popgrotte S. 30", H.O.M.E. (Germany), Jul./Aug. 2003, no page number, Germany.  
 Davida J. Sidrane, "homefinds—Brighten up for summer", Woman's Day, Aug. 5, 2003, Shopper's Guide section-page number not legible, USA.  
 "As Seen on TV", House & Garden, Sep. 2003, p. 46, image of chair, USA.  
 "finishing touches", Parents, Oct. 2003, p. 232, image of a chair, USA.  
 Simon Yates, "An Encyclopedia of Chairs", 1988, pp. 58-59, 109, 111, 119, Wellfleet Press, USA.  
 Clement Meadmore, "The Modern Chair: Classic Designs by Thonet, Breuer, Le Corbusier, Eames and Others", 1997, pp. 96-99, 110-113, 130-133, Dover Publications, Inc., USA.  
 Charlotte and Peter Fiell, "Modern Furniture Classics: Postwar to post-modernism", 2001, pp. 13, 37, 62-63, 65, 148, Thames & Hudson Inc., UK.  
 Patricia Bueno, "Just Chairs: Over 600 Designs from Around the World", 2003, pp. 67, 137, 161, 202, 224, 254, 262, Harper Design International, USA.

\* cited by examiner



*Fig. 1*

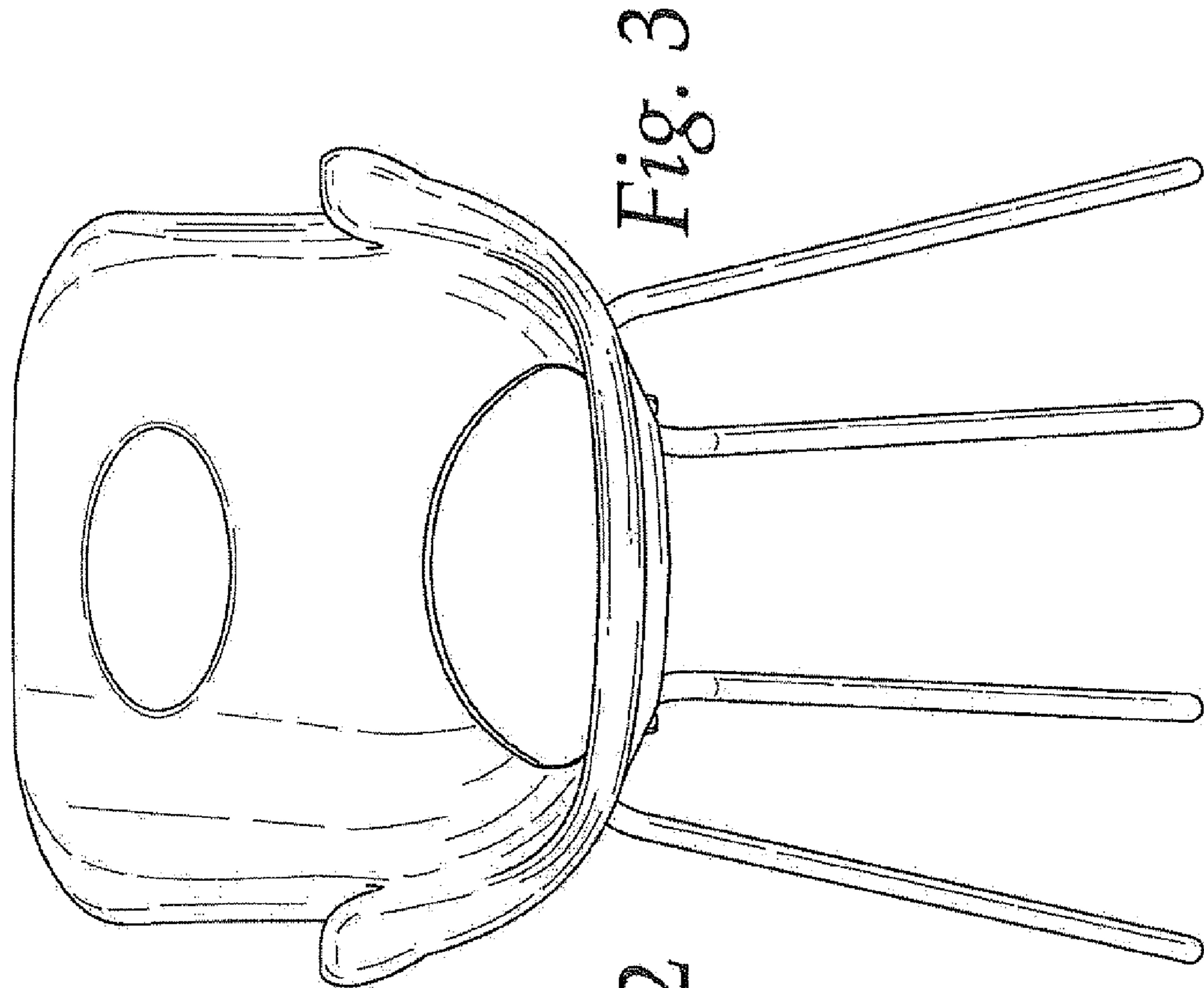


Fig. 3

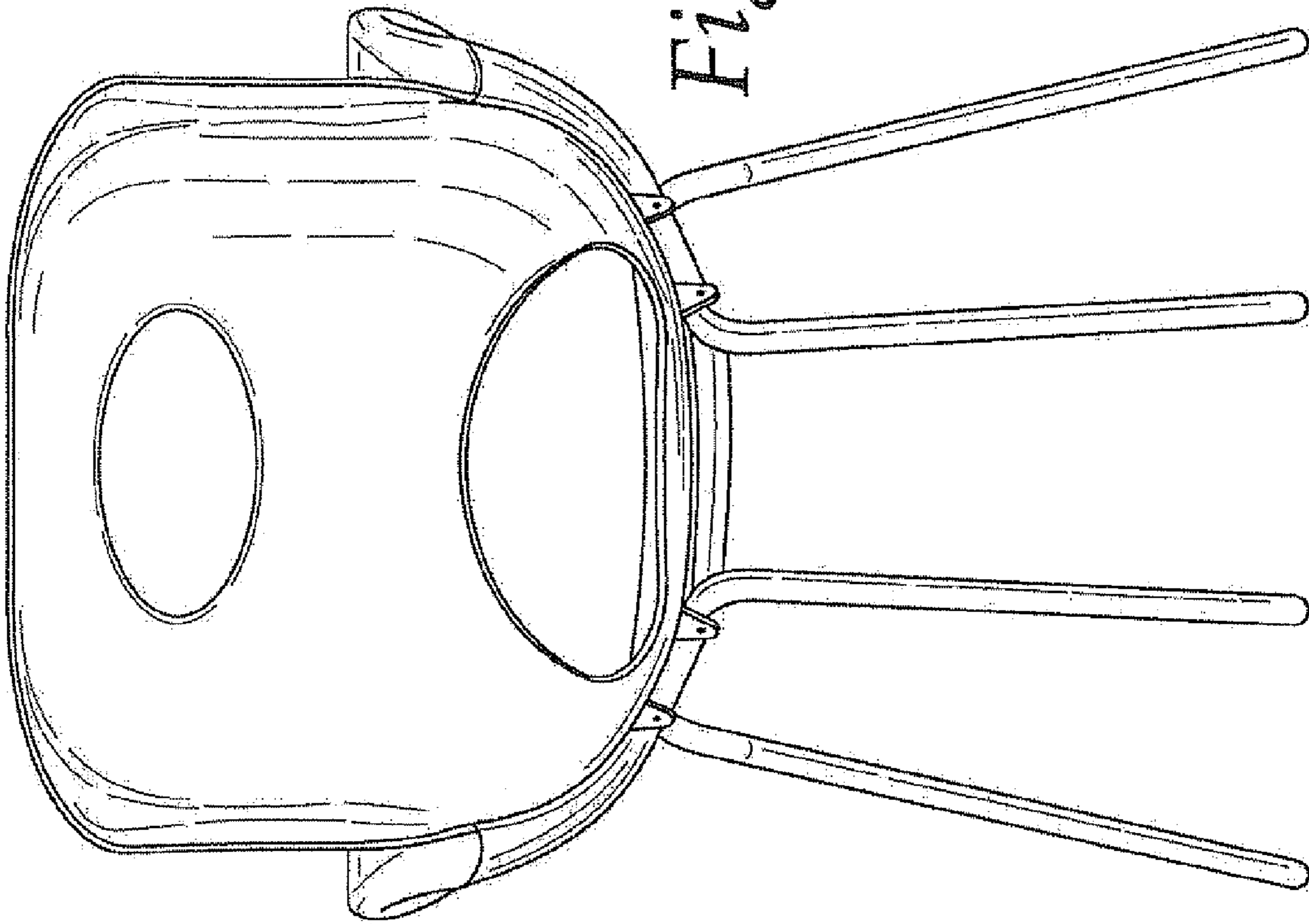


Fig. 2

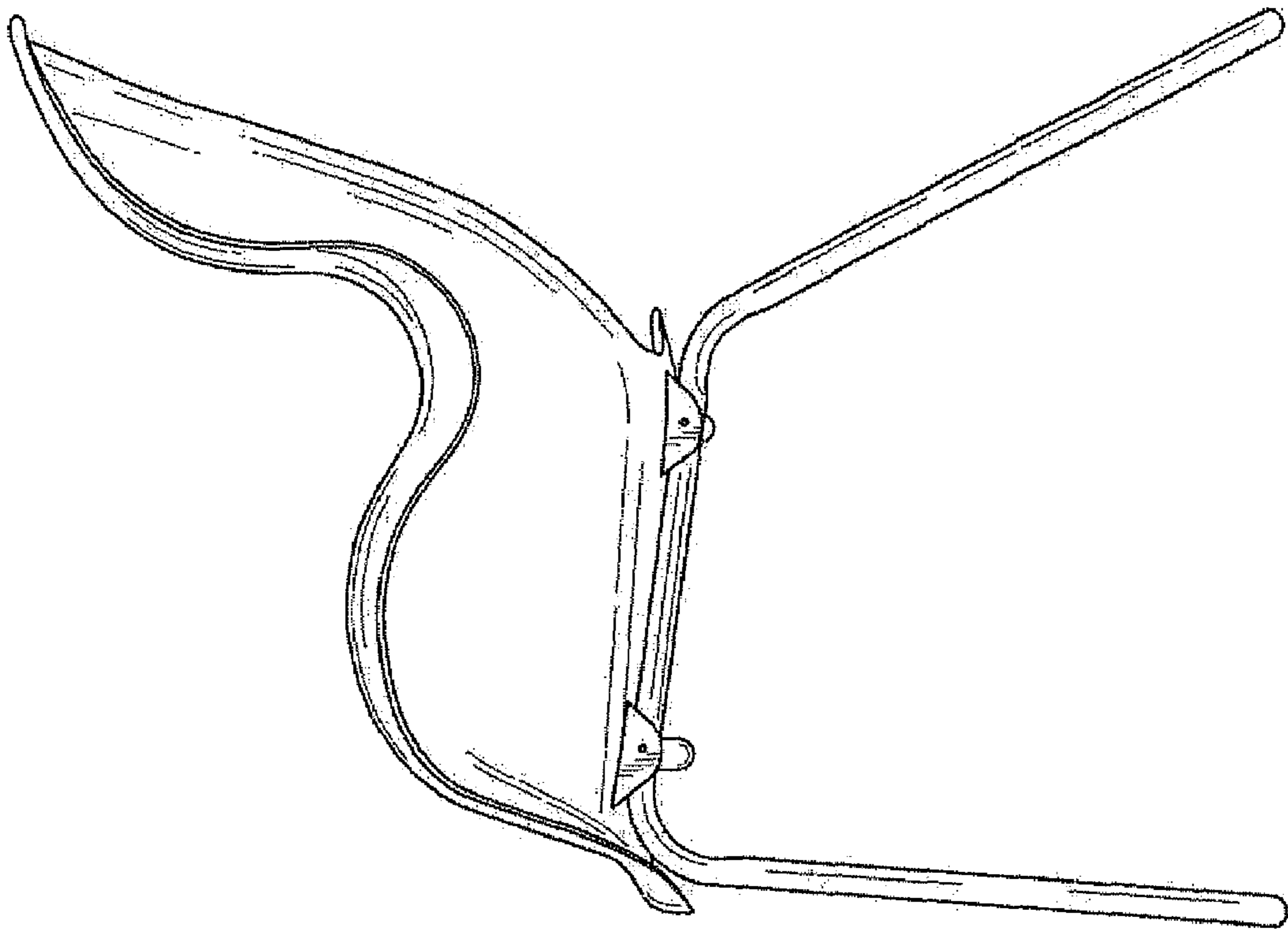


Fig. 4

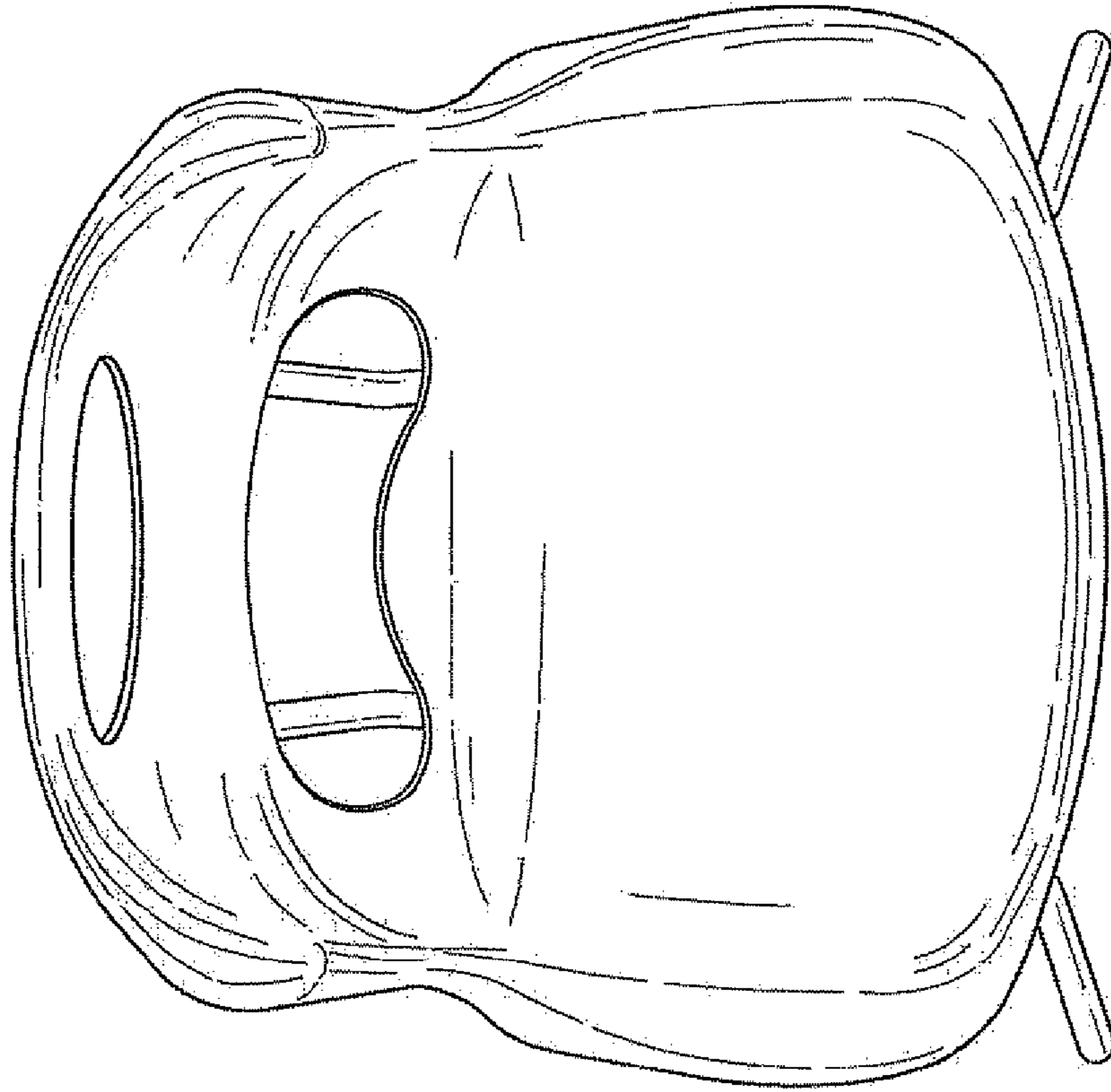


Fig. 6

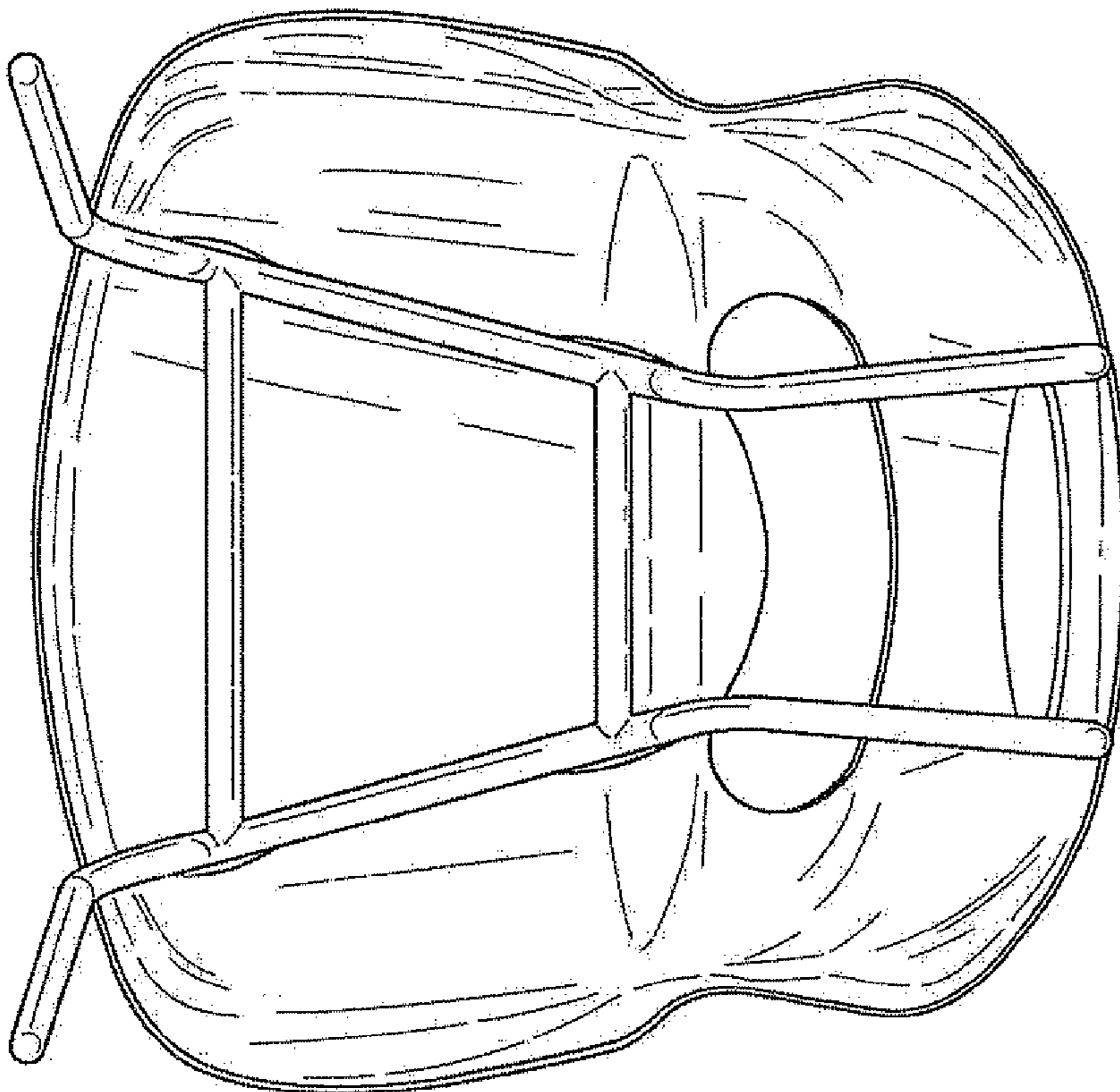


Fig. 5