



US00D596850S

(12) **United States Design Patent**  
**Smith**

(10) **Patent No.:** **US D596,850 S**

(45) **Date of Patent:** **\*\* Jul. 28, 2009**

(54) **PILLOW TRAVEL TOTE**

(76) Inventor: **Barbara Anne Smith**, 106 Margaret Dr.,  
Hampton, VA (US) 23669

(\*\*) Term: **14 Years**

(21) Appl. No.: **29/312,689**

(22) Filed: **Nov. 6, 2008**

(51) **LOC (9) Cl.** ..... **03-01**

(52) **U.S. Cl.** ..... **D3/232**

(58) **Field of Classification Search** ..... D3/203.1,  
D3/232, 233, 240–246; 150/100, 103–104,  
150/106–110, 113–114, 118–119; 5/636  
See application file for complete search history.

(56) **References Cited**

U.S. PATENT DOCUMENTS

D408,625	S *	4/1999	Barker	.....	D3/203.1
5,920,931	A	7/1999	Zuehlke		
5,938,336	A	8/1999	King		
D419,292	S	1/2000	Barre		
6,053,634	A	4/2000	Kay		
6,216,297	B1	4/2001	Lemke		
6,408,462	B1	6/2002	Moore		
6,493,891	B1	12/2002	Livingston		
6,519,796	B2	2/2003	Sloot		
7,076,816	B1	7/2006	Nielsen		
D543,691	S *	6/2007	Payne et al.	.....	D3/203.1
D545,055	S *	6/2007	Lieberman et al.	.....	D3/203.1

7,225,483	B1	6/2007	Remblad		
D548,954	S *	8/2007	Andersen et al.	.....	D3/203.1
D556,444	S *	12/2007	Ipsen et al.	.....	D3/203.1
7,322,057	B2	1/2008	Merlini		

\* cited by examiner

*Primary Examiner*—Holly H Baynham

(57) **CLAIM**

The ornamental design for a pillow travel tote, as shown and described.

**DESCRIPTION**

FIG. 1 is a right front view of my new pillow travel tote.

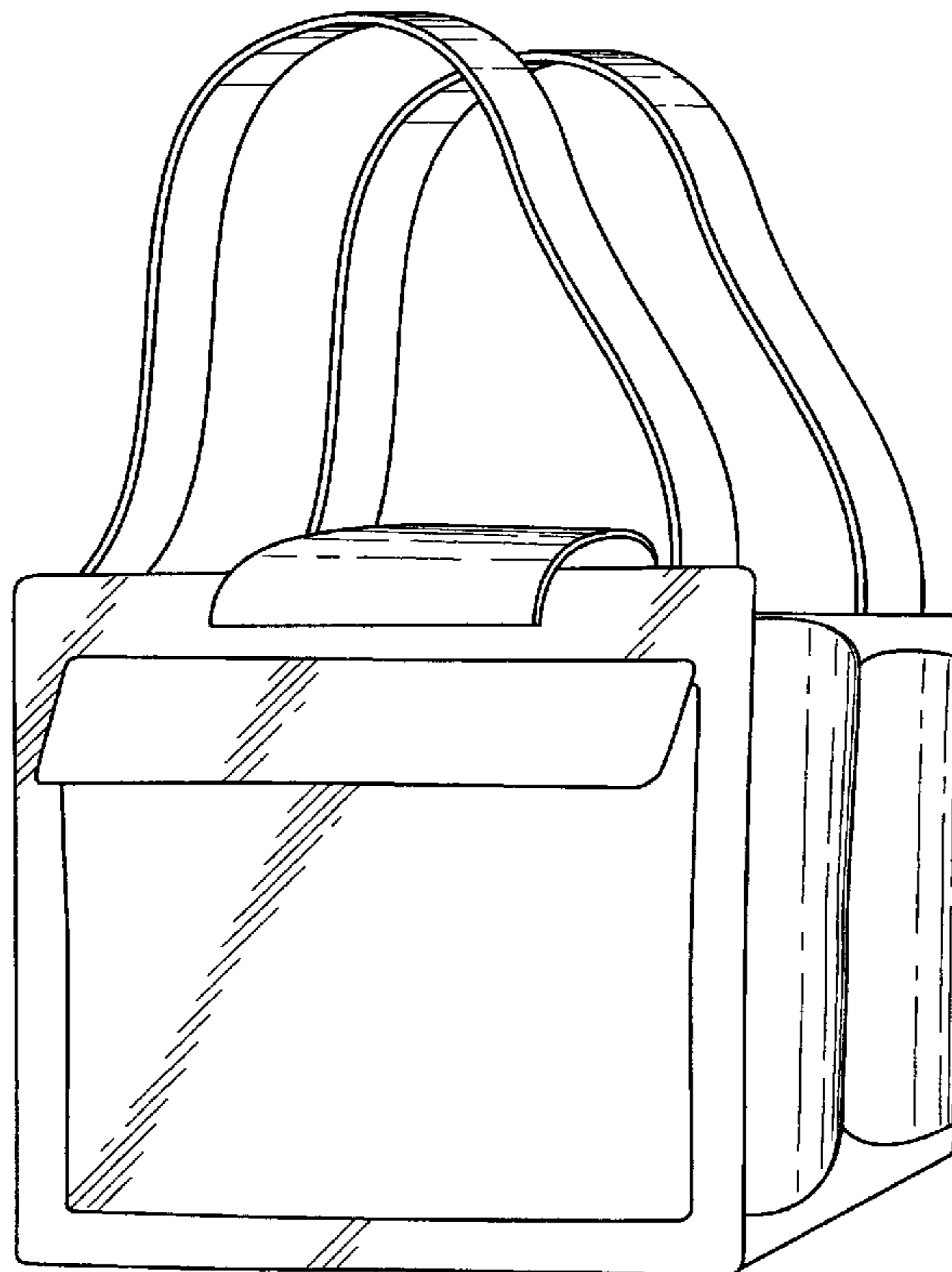
FIG. 2 is a view of the interior of the pillow travel tote expanded to show extended flaps, attached pillowcase, interior pockets and a means of closure.

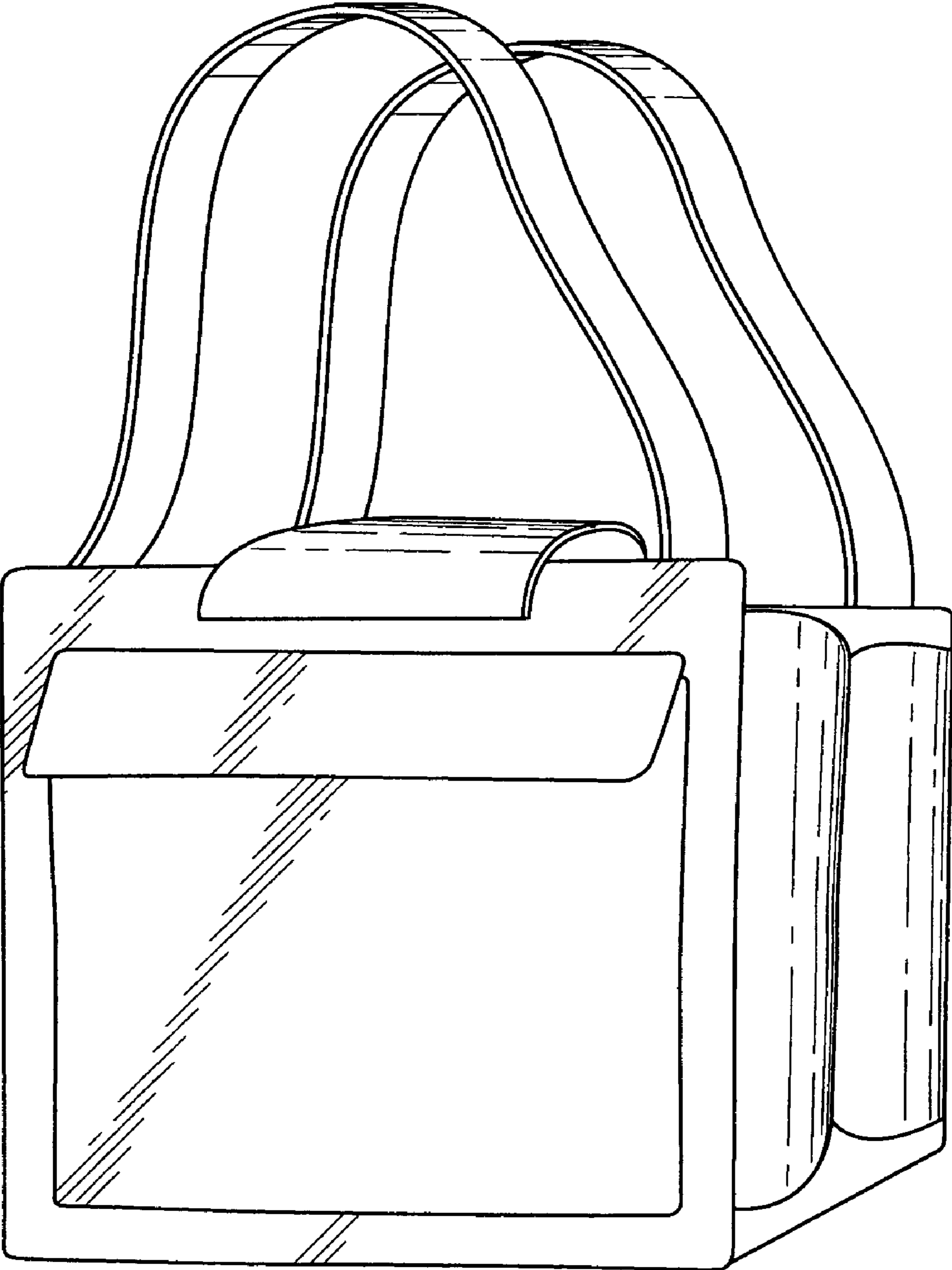
FIG. 3 is a view of the exterior of the pillow travel tote expanded to show extended flaps, exterior pockets and a means of closure; and,

FIG. 4 is a view of the pillow travel tote in the in-use position showing the main body reversed, pillowcase exposed, and straps and exterior pockets hidden to the inside.

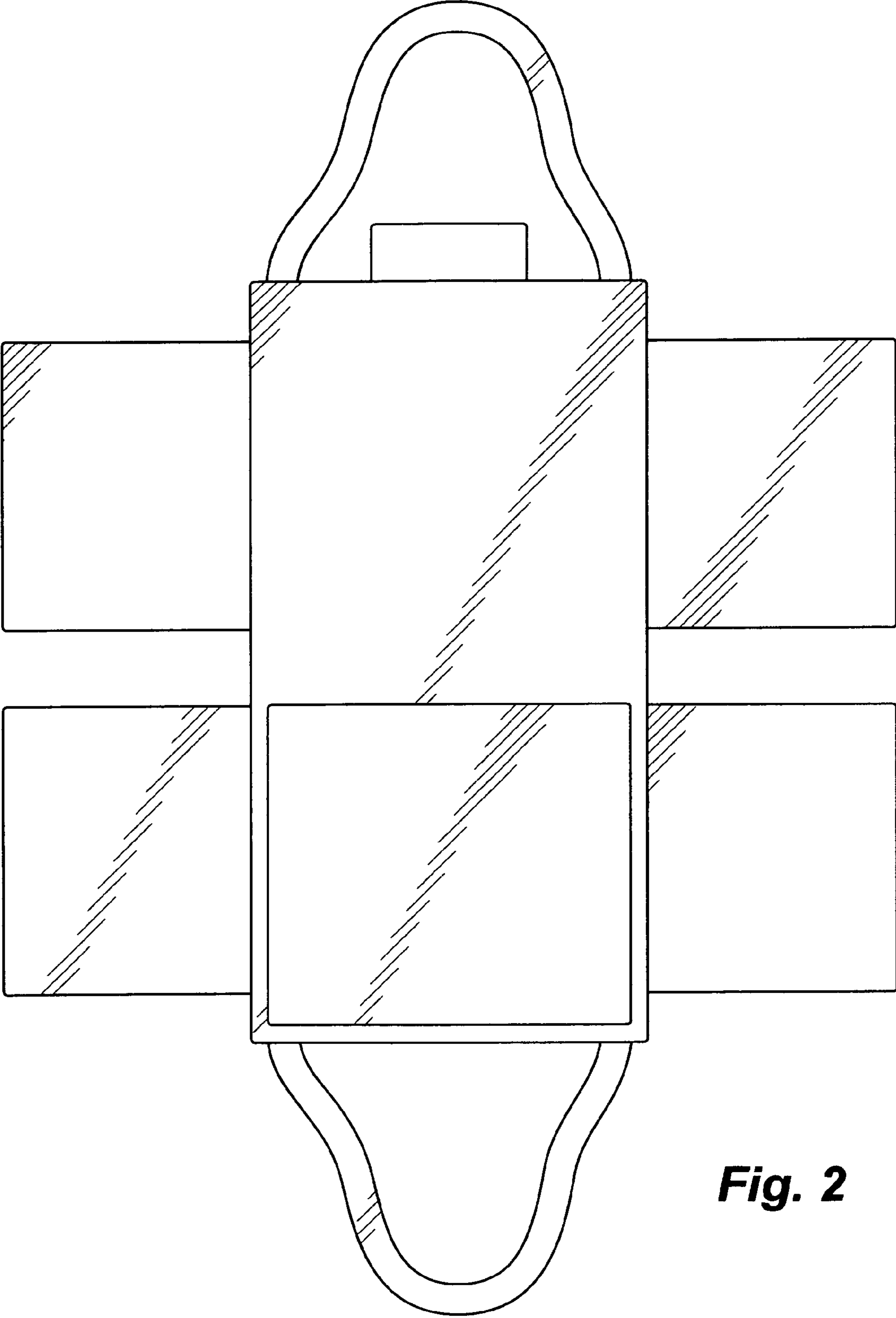
My pillow travel tote is characterized by the ability to contain a soft, removable, fiberfill, pillow in its pillowcase and the ability to reverse the main body keeping items stored in the pockets secure while using the pillow.

**1 Claim, 4 Drawing Sheets**

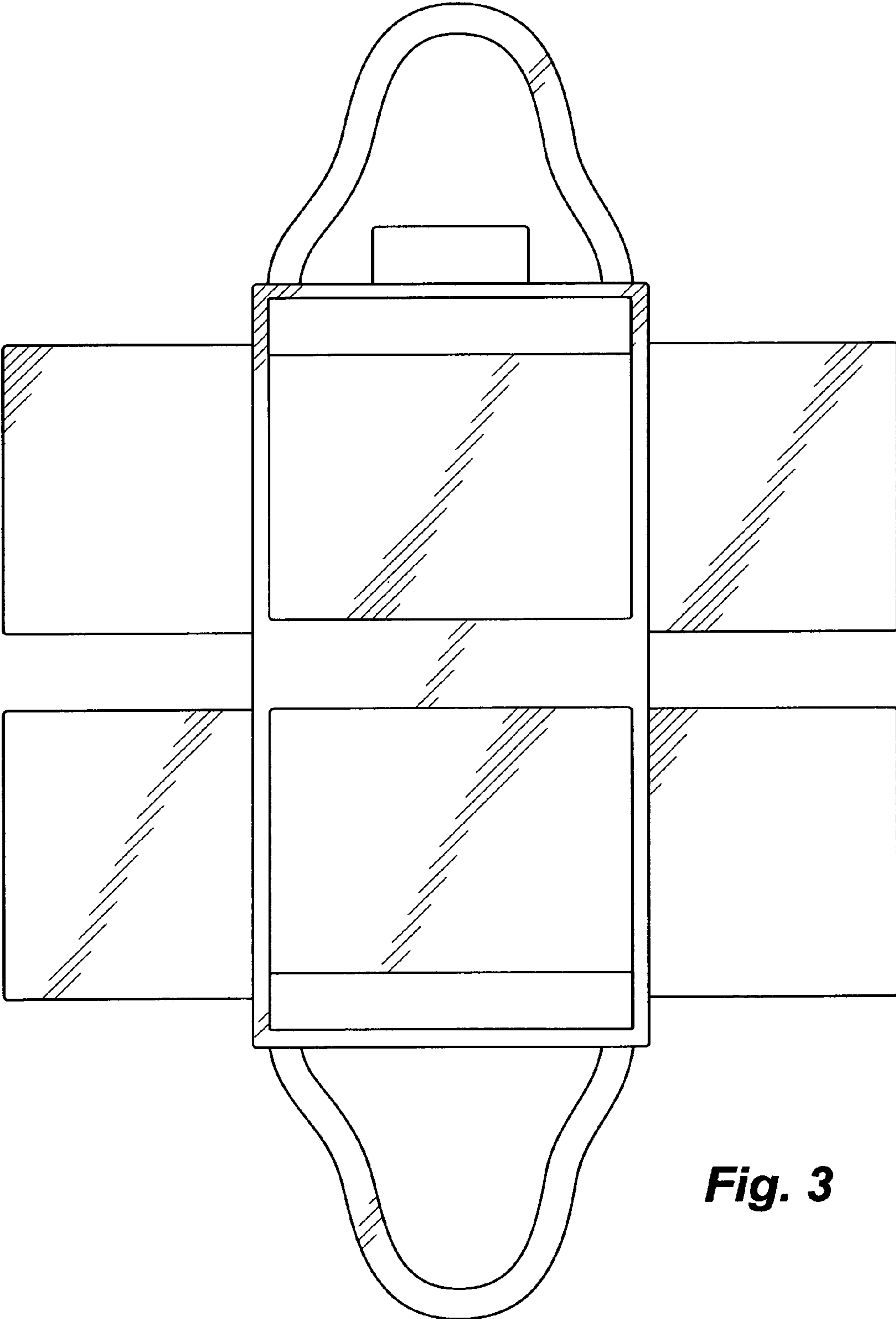




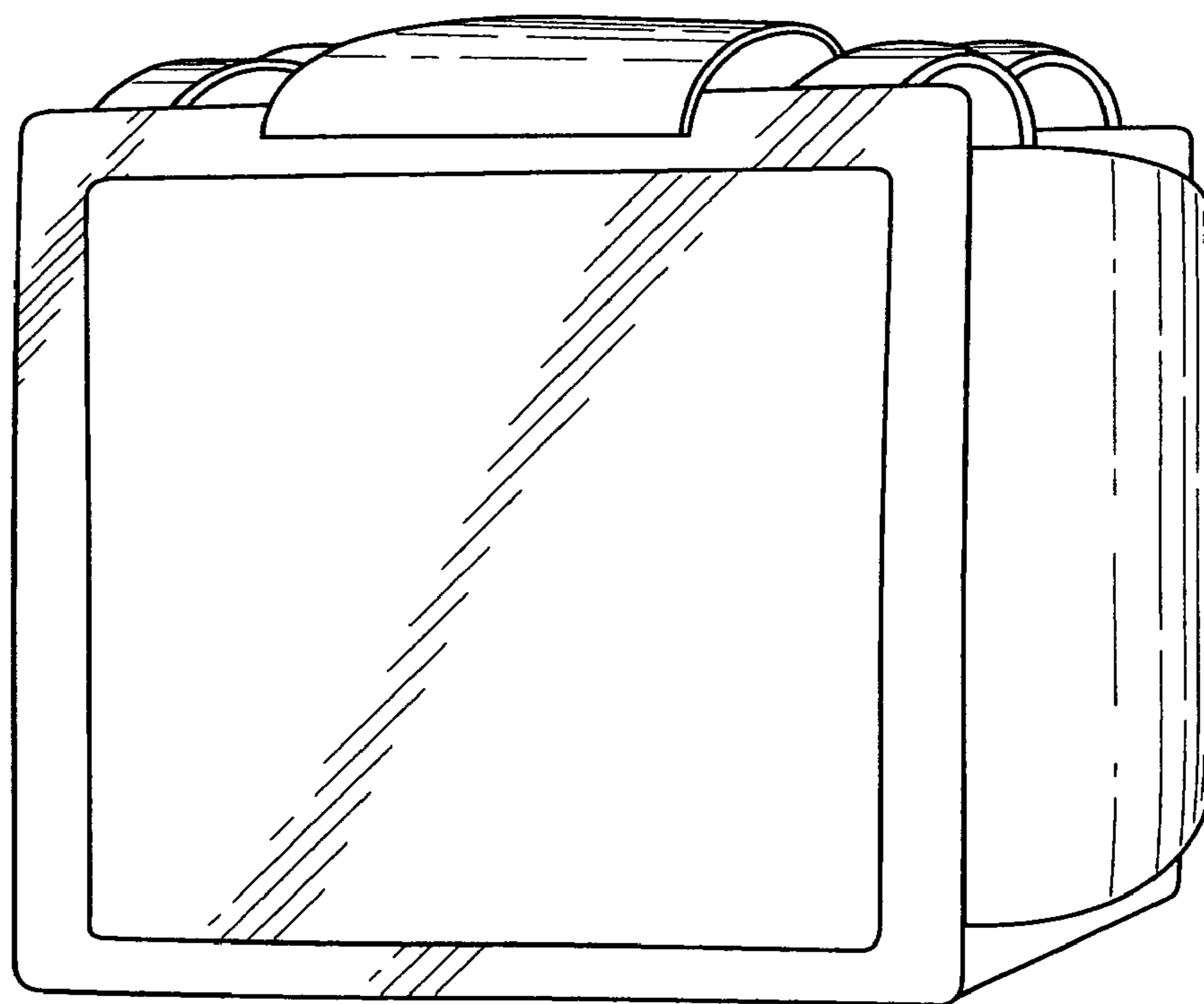
**Fig. 1**



**Fig. 2**



**Fig. 3**



**Fig. 4**