

US00D596842S

(12) **United States Design Patent**  
**Cooper**

(10) **Patent No.:** **US D596,842 S**  
(45) **Date of Patent:** **\*\* Jul. 28, 2009**

(54) **MAKE-UP BAG**

(76) Inventor: **Cheryl S. Cooper**, 510 Avenida  
Lorenzo, Newport Beach, CA (US)  
92660

(\*\*) Term: **14 Years**

(21) Appl. No.: **29/310,454**

(22) Filed: **Aug. 18, 2008**

(51) **LOC (9) Cl.** ..... **03-01**

(52) **U.S. Cl.** ..... **D3/205; D3/299; D3/901**

(58) **Field of Classification Search** ..... D3/203.6,  
D3/205-206, 230, 243, 247, 273, 299, 303,  
D3/901; D12/415; D19/26-27, 86; 206/6.1,  
206/216, 223, 570-571, 581, 823  
See application file for complete search history.

(56) **References Cited**

**U.S. PATENT DOCUMENTS**

1,679,101	A	*	7/1928	Sternthal	.....	206/553
1,722,507	A	*	7/1929	Stanley	.....	206/581
D108,150	S	*	1/1938	Bautista	.....	D3/299
D135,892	S	*	6/1943	Rouner	.....	D3/299
D287,428	S	*	12/1986	Knoepke	.....	D3/299
D297,283	S	*	8/1988	Gray	.....	D3/299
D323,937	S	*	2/1992	Solomon	.....	D3/299
D433,663	S	*	11/2000	Bergh	.....	D12/415
D438,008	S	*	2/2001	Snider	.....	D3/299
D442,781	S	*	5/2001	Snider	.....	D3/299
D476,032	S	*	6/2003	Marchand	.....	D19/26
D518,105	S	*	3/2006	Hough et al.	.....	D19/86
D518,954	S	*	4/2006	Wald	.....	D3/273
D525,024	S	*	7/2006	Fridie et al.	.....	D3/201
D529,963	S	*	10/2006	Hough et al.	.....	D19/90
D544,030	S	*	6/2007	LaDue	.....	D19/27
D548,972	S	*	8/2007	Wald	.....	D3/299
D557,740	S	*	12/2007	Bharma	.....	D19/26
D558,267	S	*	12/2007	Bharma	.....	D19/26

**OTHER PUBLICATIONS**

Rome Lussa Journal. Downloaded Mar. 6, 2009 at <http://www.popwuping.com/stuff/art-design/roma-lussa-journal.php>.\*

\* cited by examiner

*Primary Examiner*—Philip S Hyder  
*Assistant Examiner*—Roselynn Cody  
(74) *Attorney, Agent, or Firm*—Russo & Duckworth, LLP

(57) **CLAIM**

The ornamental design for the make-up bag, as shown and described.

**DESCRIPTION**

FIG. 1 is a perspective view of the make-up bag of my design.

FIG. 2 is a front elevation view thereof;

FIG. 3 is a rear elevation view thereof;

FIG. 4 is a right elevation view thereof;

FIG. 5 is a left elevation view thereof;

FIG. 6 is a top plan view thereof;

FIG. 7 is a bottom plan view thereof;

FIG. 8 is a perspective view of the make-up bag of my design shown in an expanded condition;

FIG. 9 is a front elevation view thereof;

FIG. 10 is a rear elevation view thereof;

FIG. 11 is a right elevation view thereof;

FIG. 12 is a left elevation view thereof;

FIG. 13 is a top plan view thereof;

FIG. 14 is a bottom plan view thereof;

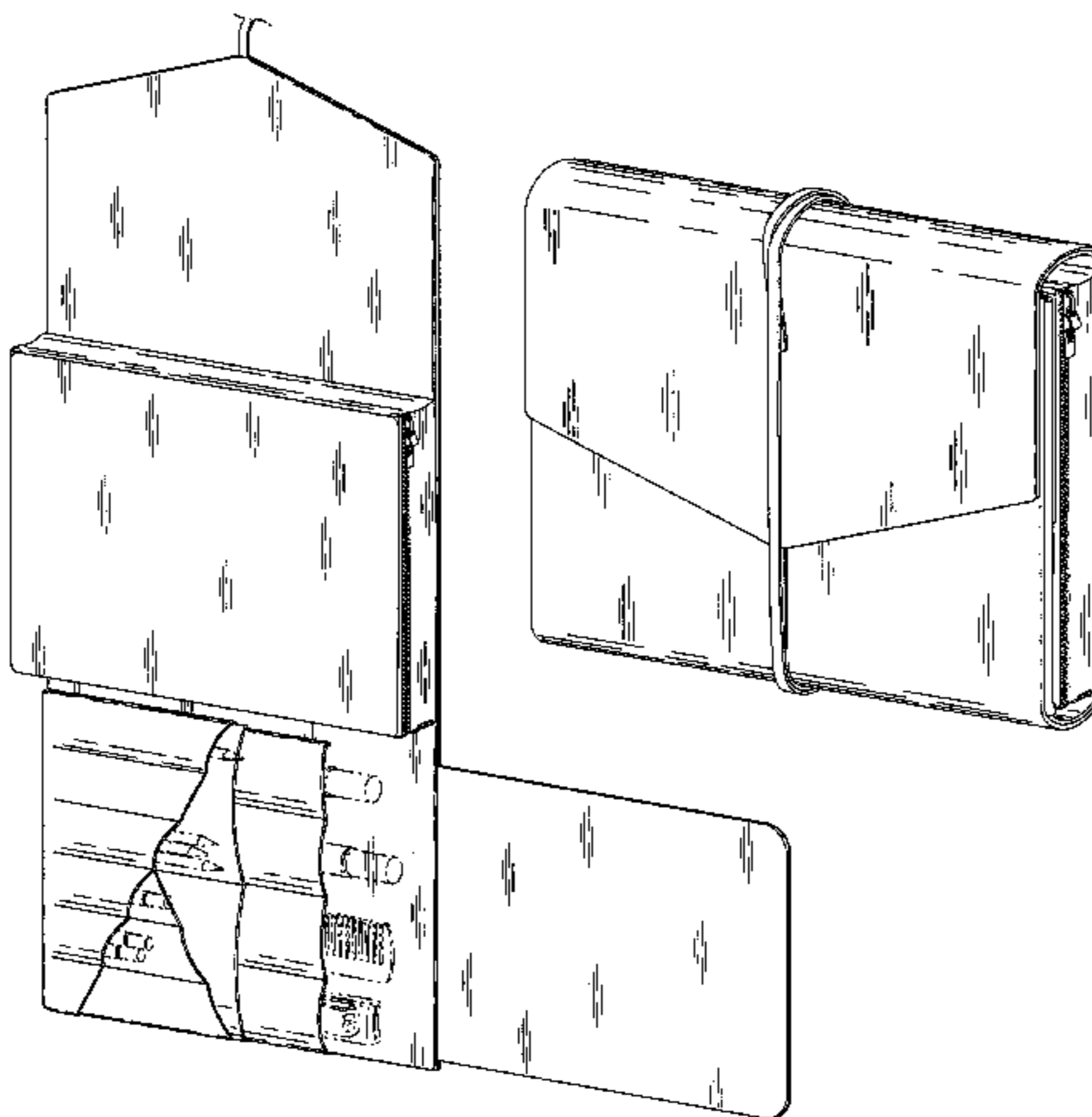
FIG. 15 is a perspective view of the make-up bag of my design in an expanded condition and with an interior flap shown open;

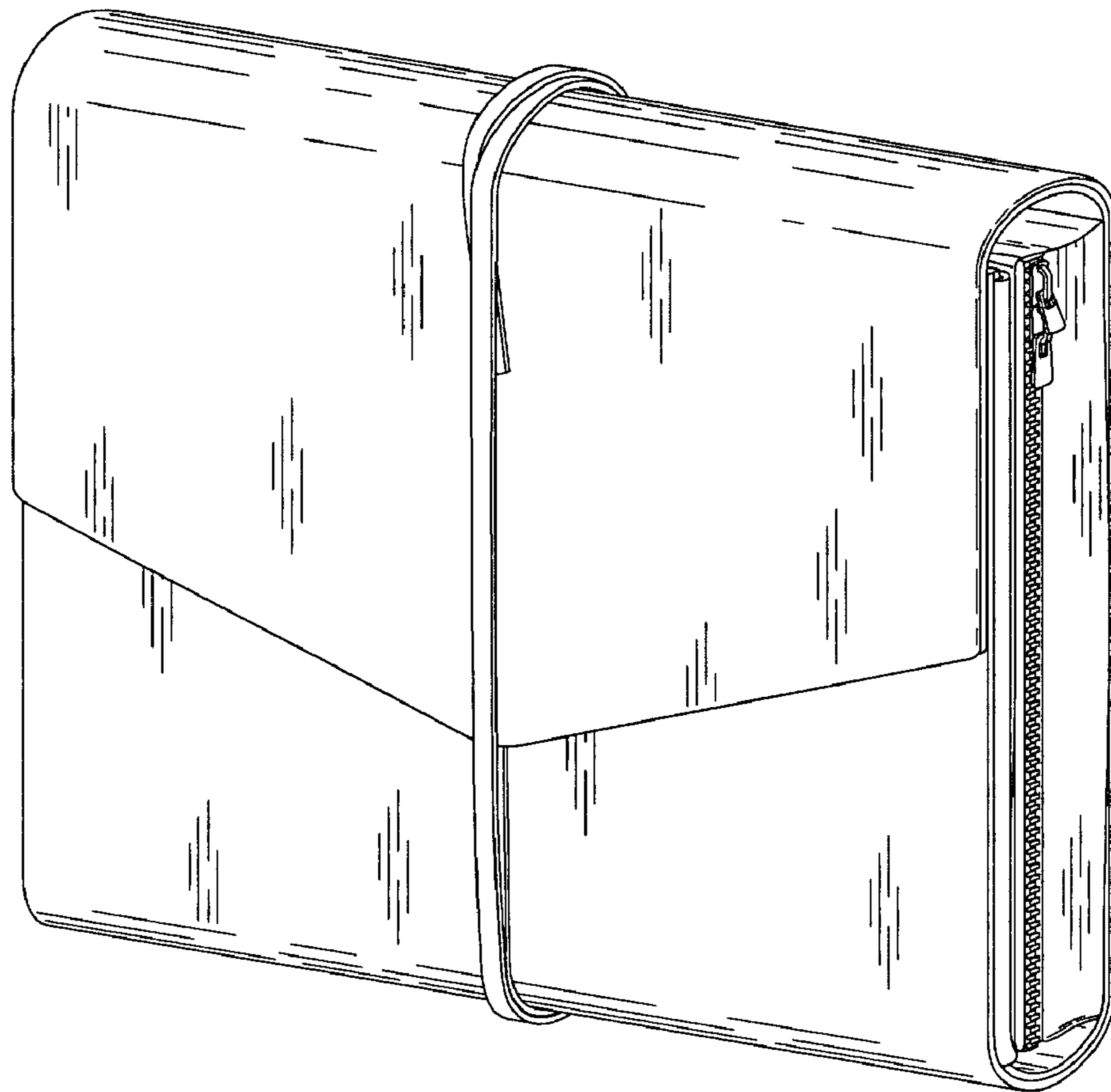
FIG. 16 is a perspective view of the make-up bag of my design in an expanded condition, with an interior flap shown open, and with interior slots filled with make-up utensils; and,

FIG. 17 is a perspective view of the make-up bag of my design in an expanded condition wherein the interior pouch is shown unzipped and open.

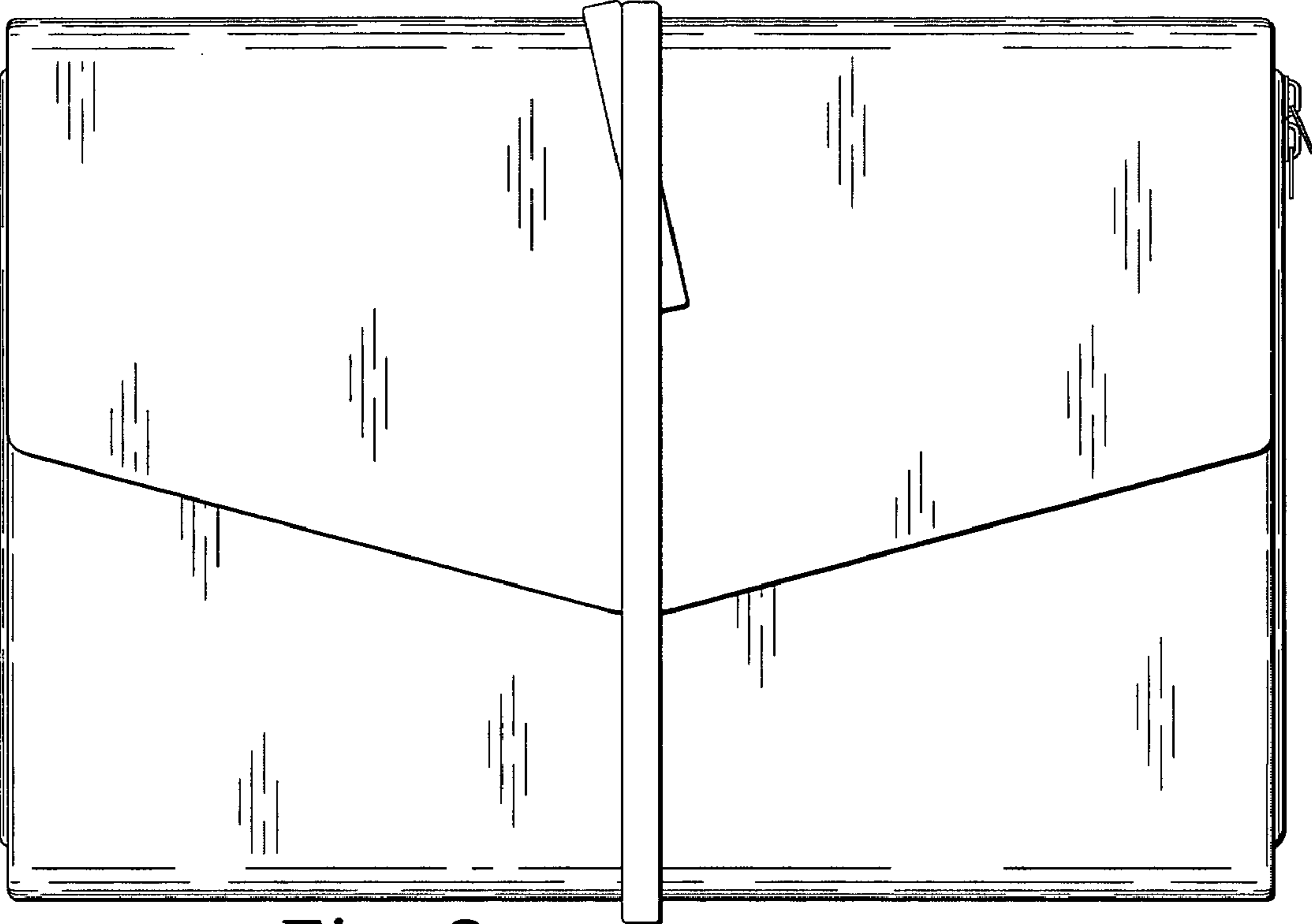
The make-up utensils shown in broken lines in FIG. 16 are for illustrative purposes only and form no part of the claimed design.

**1 Claim, 11 Drawing Sheets**

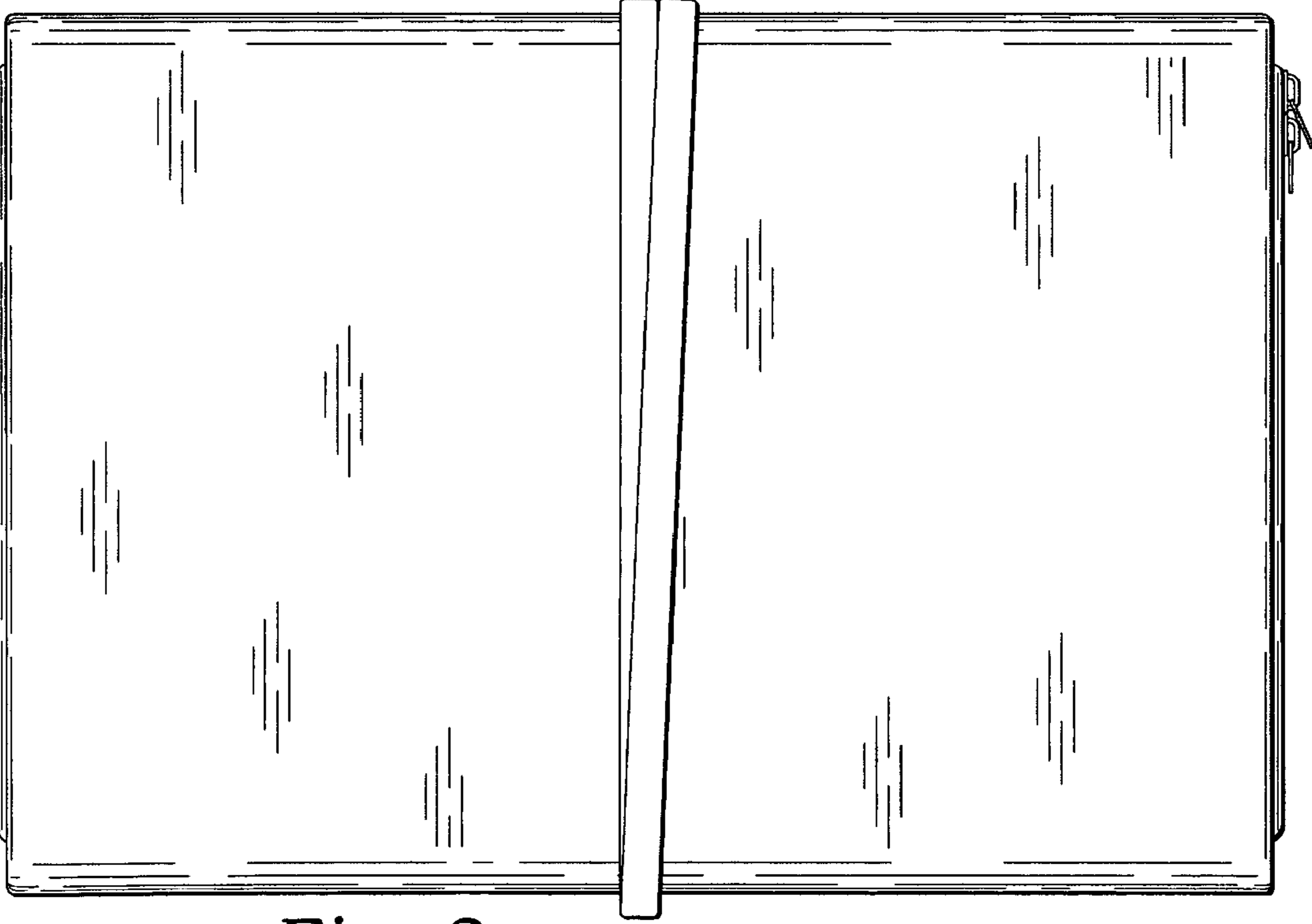




*Fig. 1*



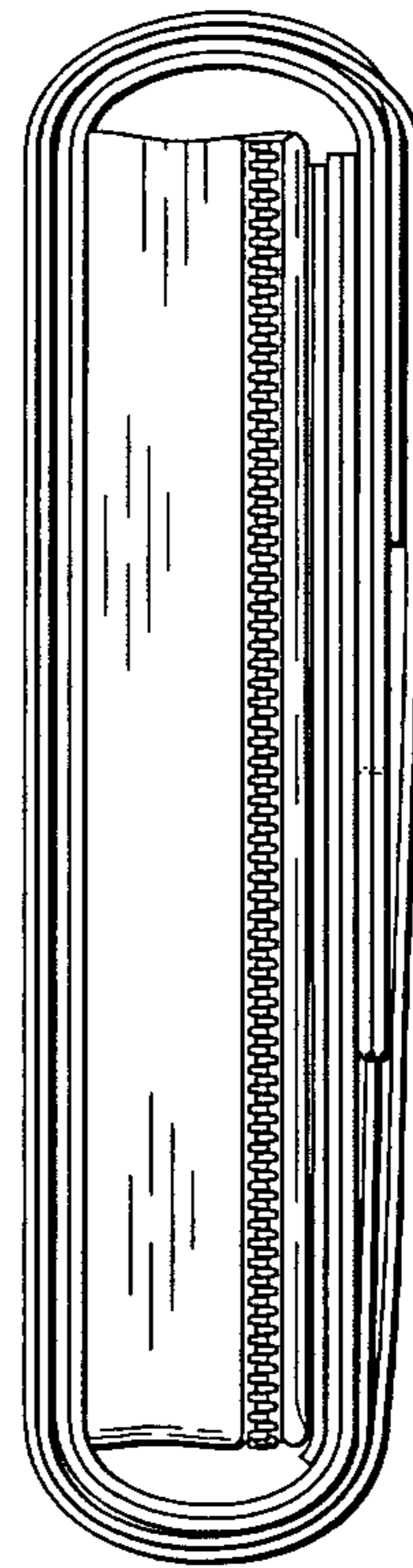
*Fig. 2*



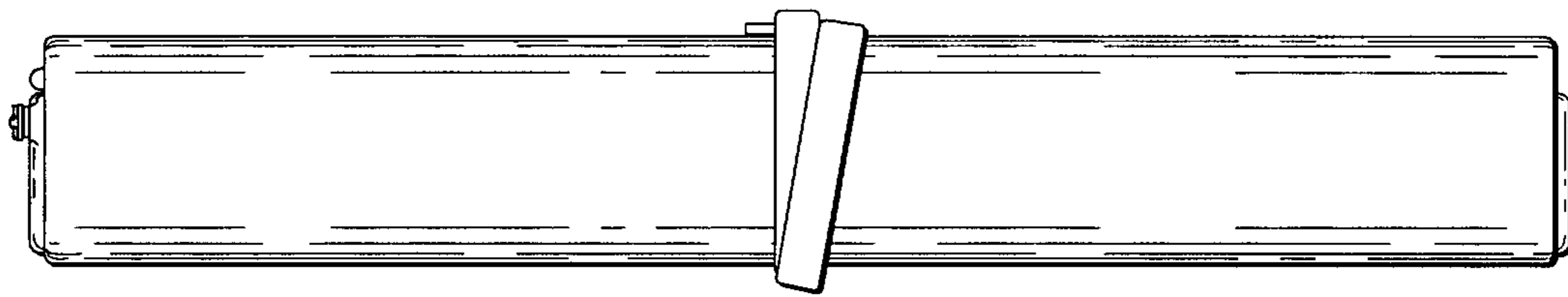
*Fig. 3*



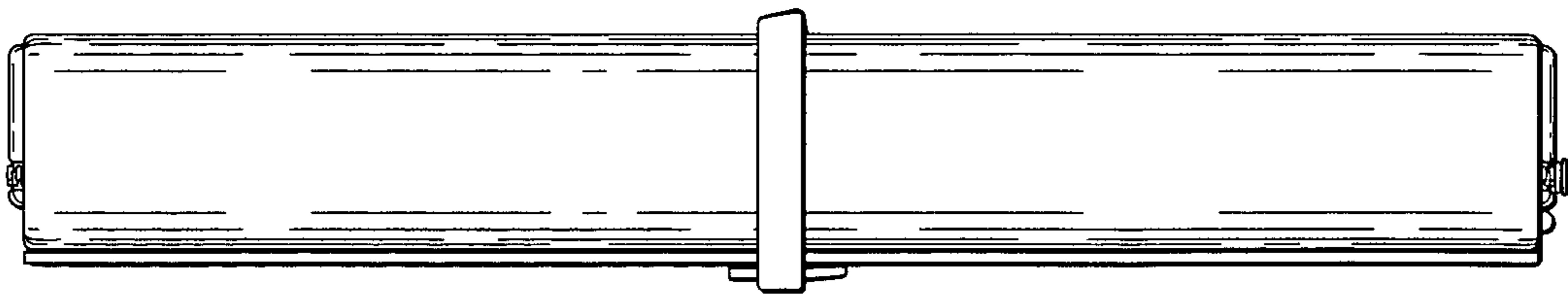
*Fig. 4*



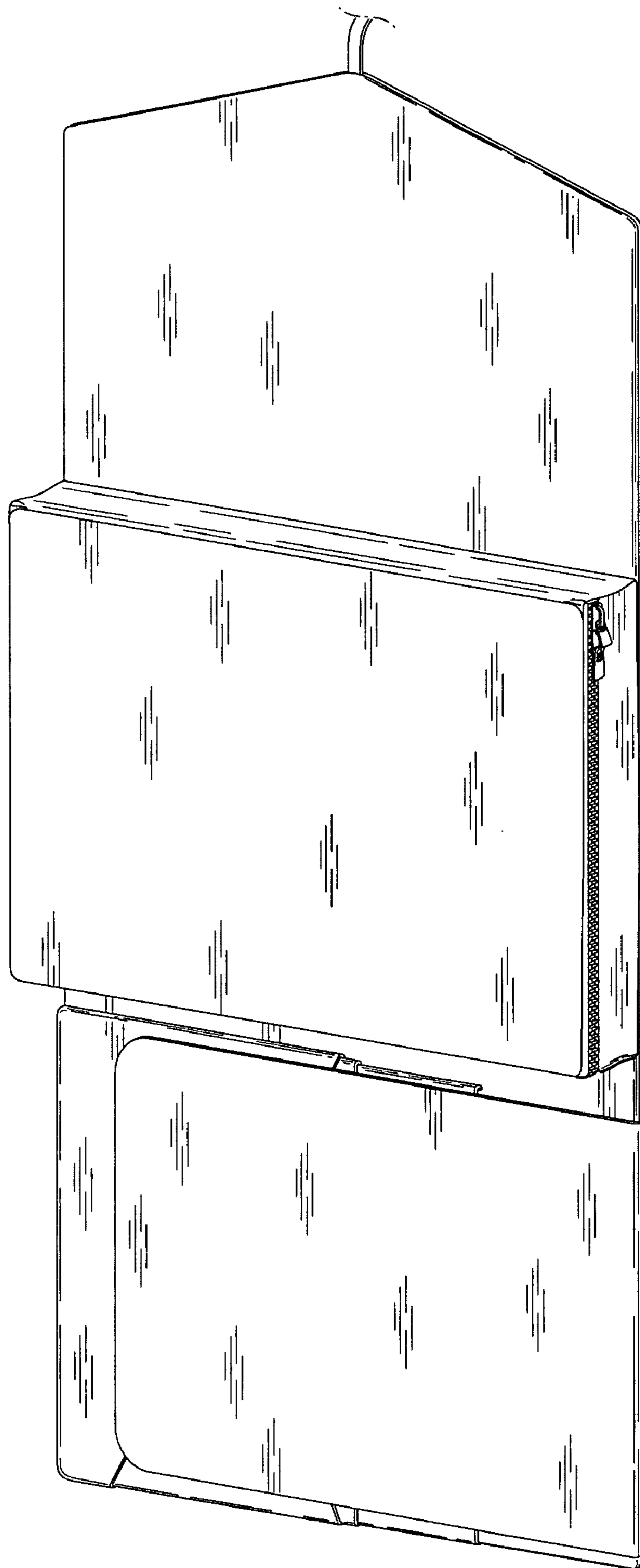
*Fig. 5*



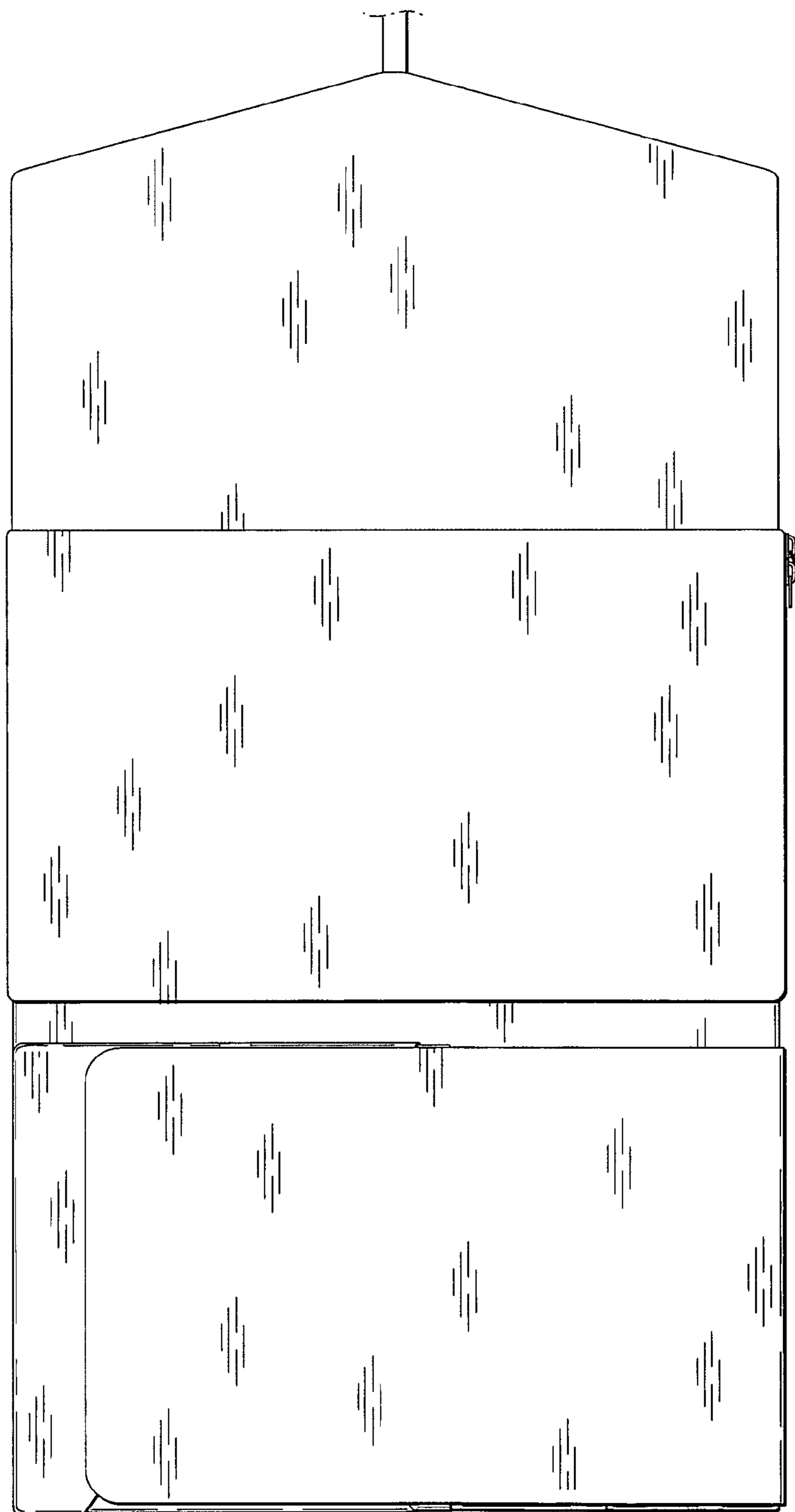
*Fig. 6*



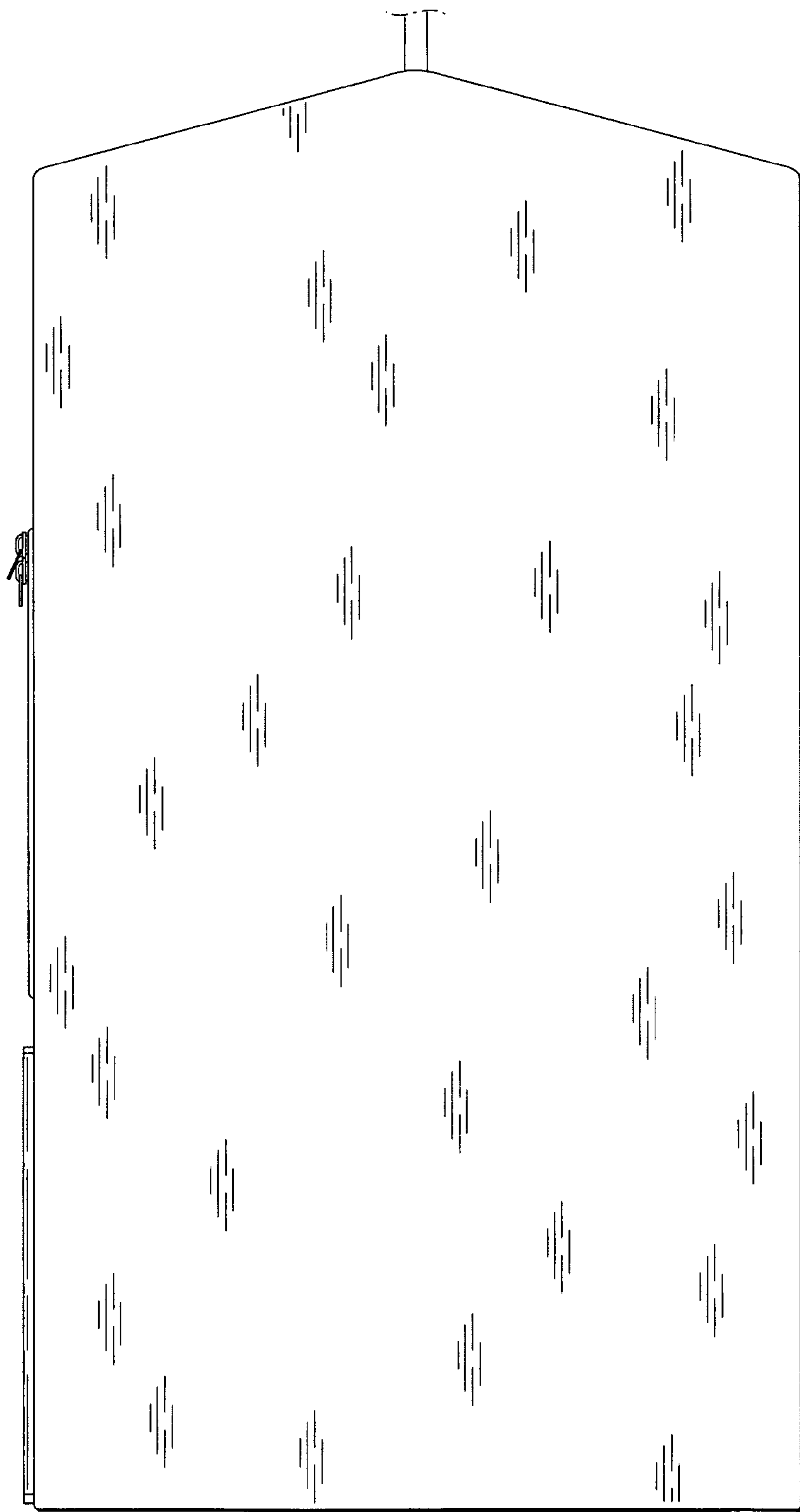
*Fig. 7*



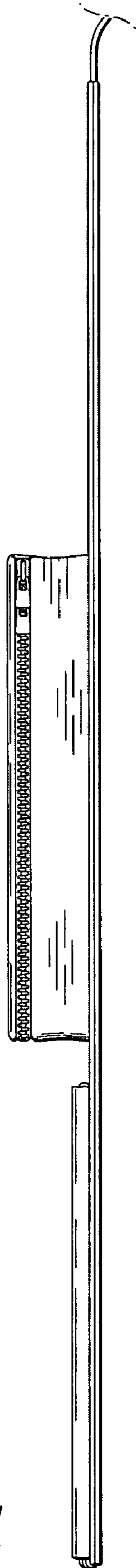
*Fig. 8*



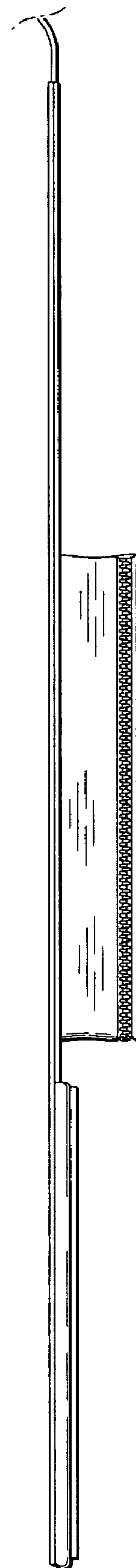
*Fig. 9*



*Fig. 10*

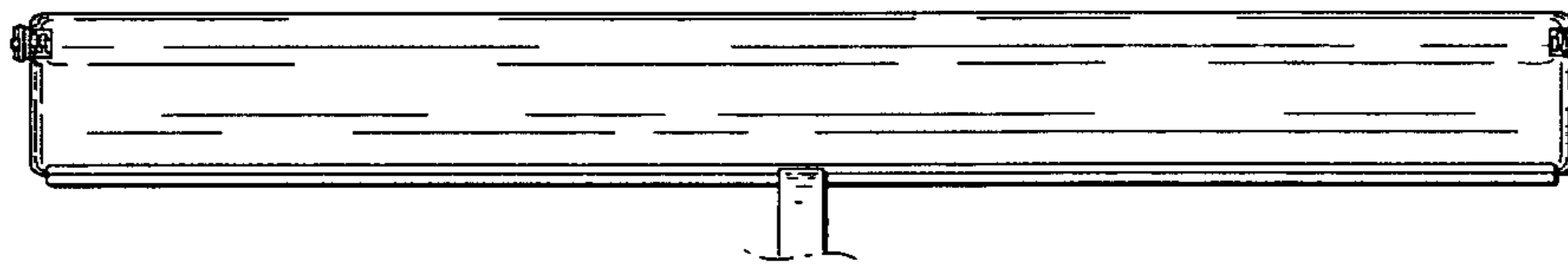


*Fig. 11*

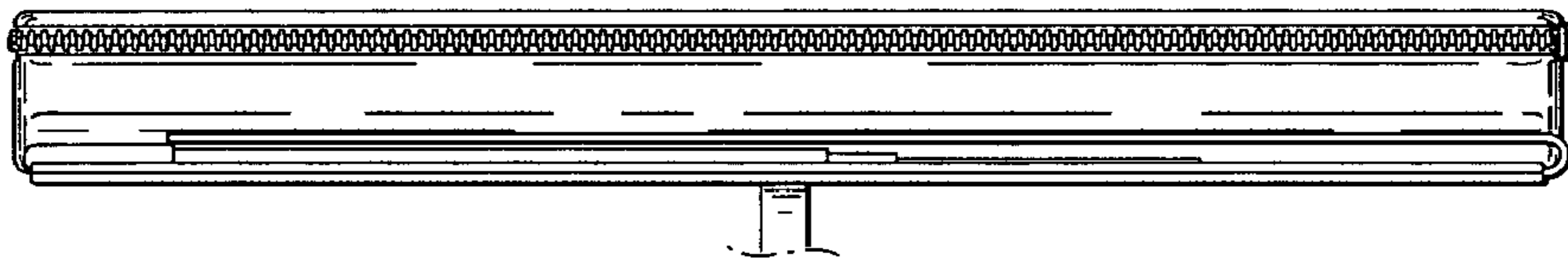


*Fig. 12*

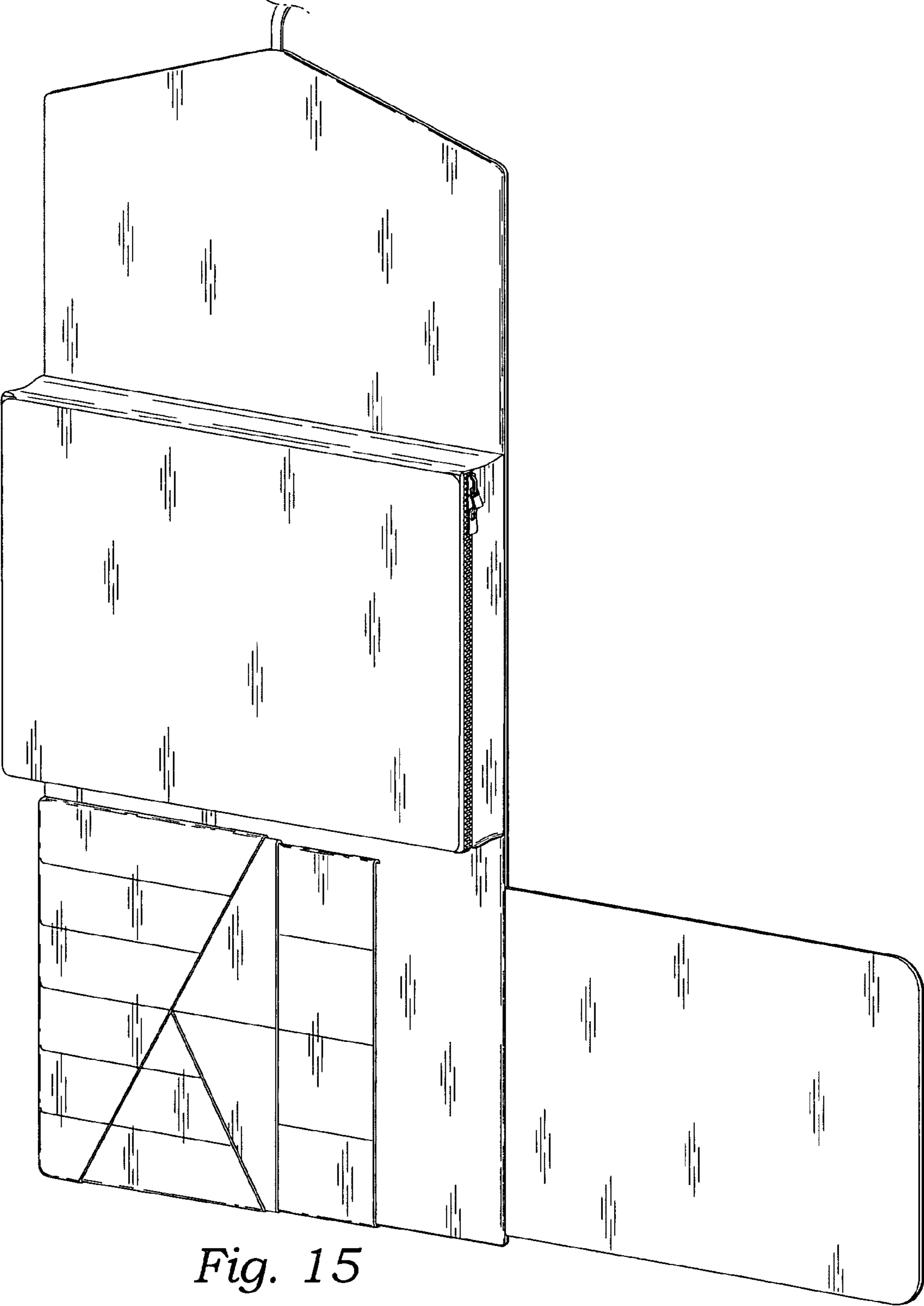




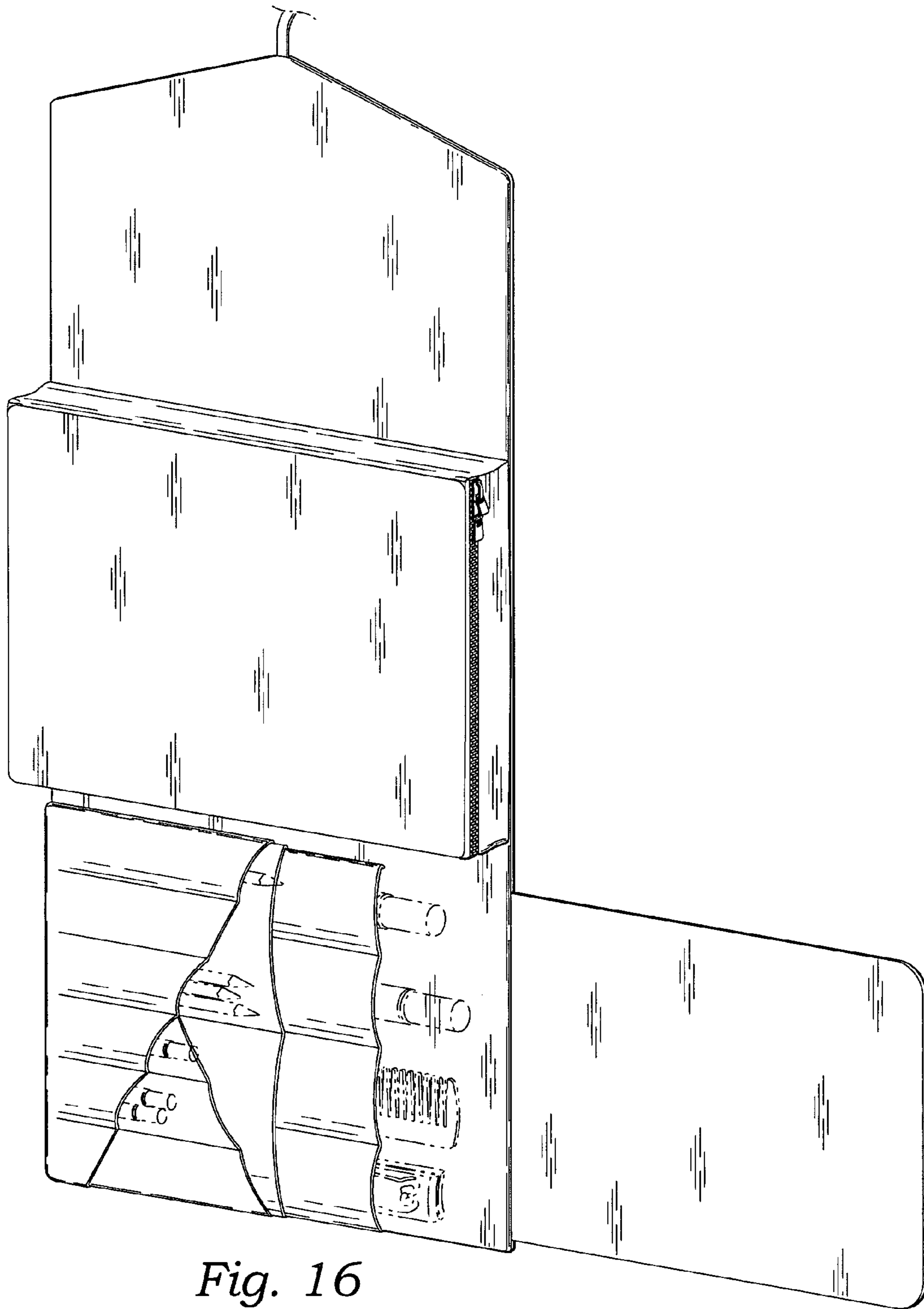
*Fig. 13*



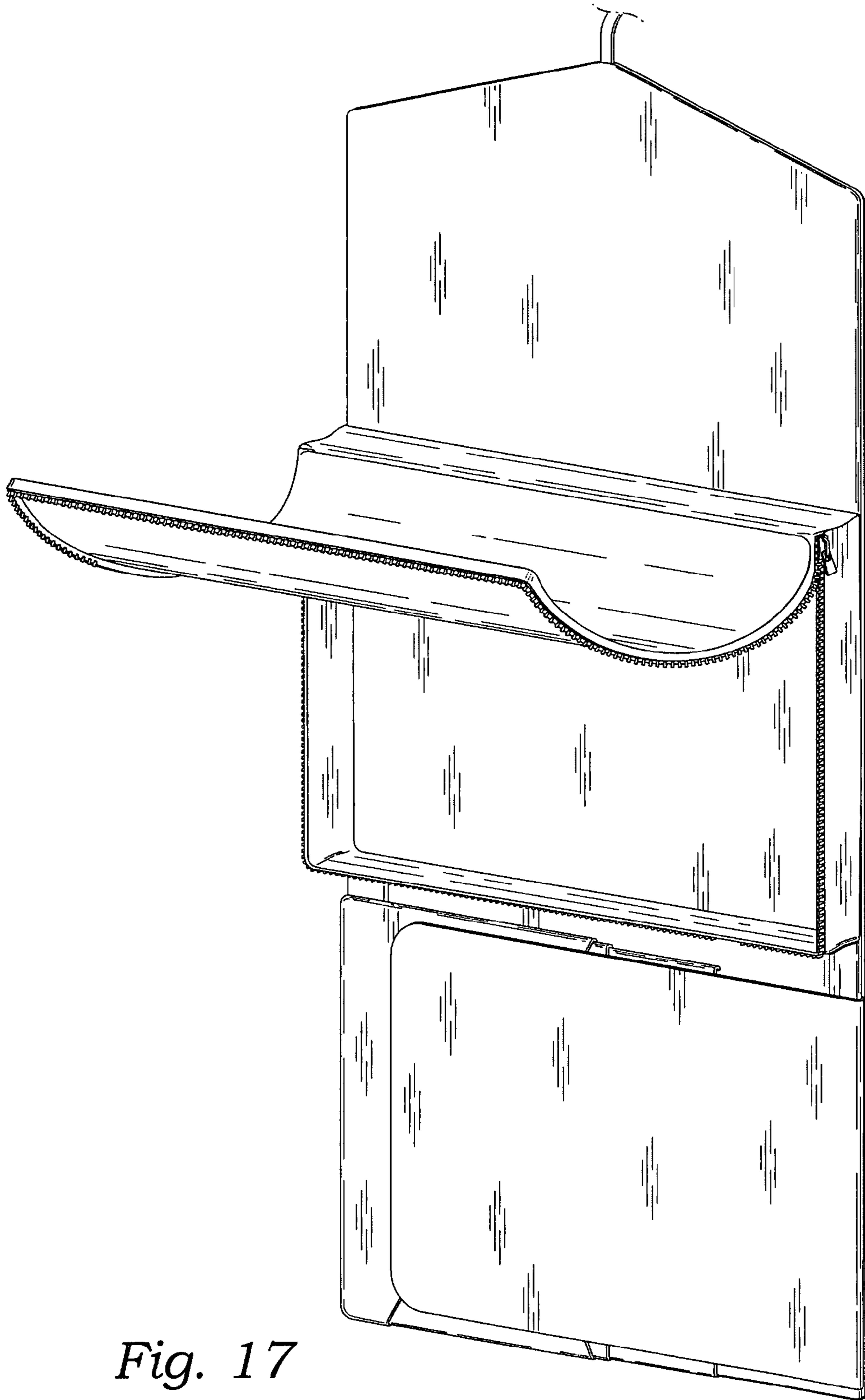
*Fig. 14*



*Fig. 15*



*Fig. 16*



*Fig. 17*