

US00D596825S

(12) **United States Design Patent**
Wang

(10) **Patent No.:** **US D596,825 S**

(45) **Date of Patent:** **** Jul. 21, 2009**

(54) **PAPER PALLET**

(76) Inventor: **Shang-Jui Wang**, 235 Chung - Ho Box
8-24, Taipei (TW)

(**) Term: **14 Years**

(21) Appl. No.: **29/298,348**

(22) Filed: **Dec. 3, 2007**

(51) **LOC (9) Cl.** **09-08**

(52) **U.S. Cl.** **D34/38**

(58) **Field of Classification Search** D34/38;
108/51.1, 56.1, 901, 56.3, 57.1, 53.5, 52.1,
108/55.3, 53.1, 51.3; 248/346.01, 346.02
See application file for complete search history.

(56) **References Cited**

U.S. PATENT DOCUMENTS

3,269,336	A *	8/1966	Naylor et al.	108/55.1
D219,582	S *	12/1970	Stout, Jr.	D34/38
3,667,403	A *	6/1972	Angelbeck, Jr.	108/57.26
3,952,672	A *	4/1976	Gordon et al.	108/51.3
D428,679	S *	7/2000	Bridge	D34/38

D495,460	S *	8/2004	Apps et al.	D34/38
D544,175	S *	6/2007	Valentinsson	D34/38
2006/0272556	A1 *	12/2006	Apps	108/53.1
2007/0289504	A1 *	12/2007	Harp et al.	108/51.3

* cited by examiner

Primary Examiner—Cynthia E Ramirez

(57) **CLAIM**

The ornamental design for a paper pallet, as shown and described.

DESCRIPTION

FIG. 1 is a perspective view of a paper pallet showing my new design;

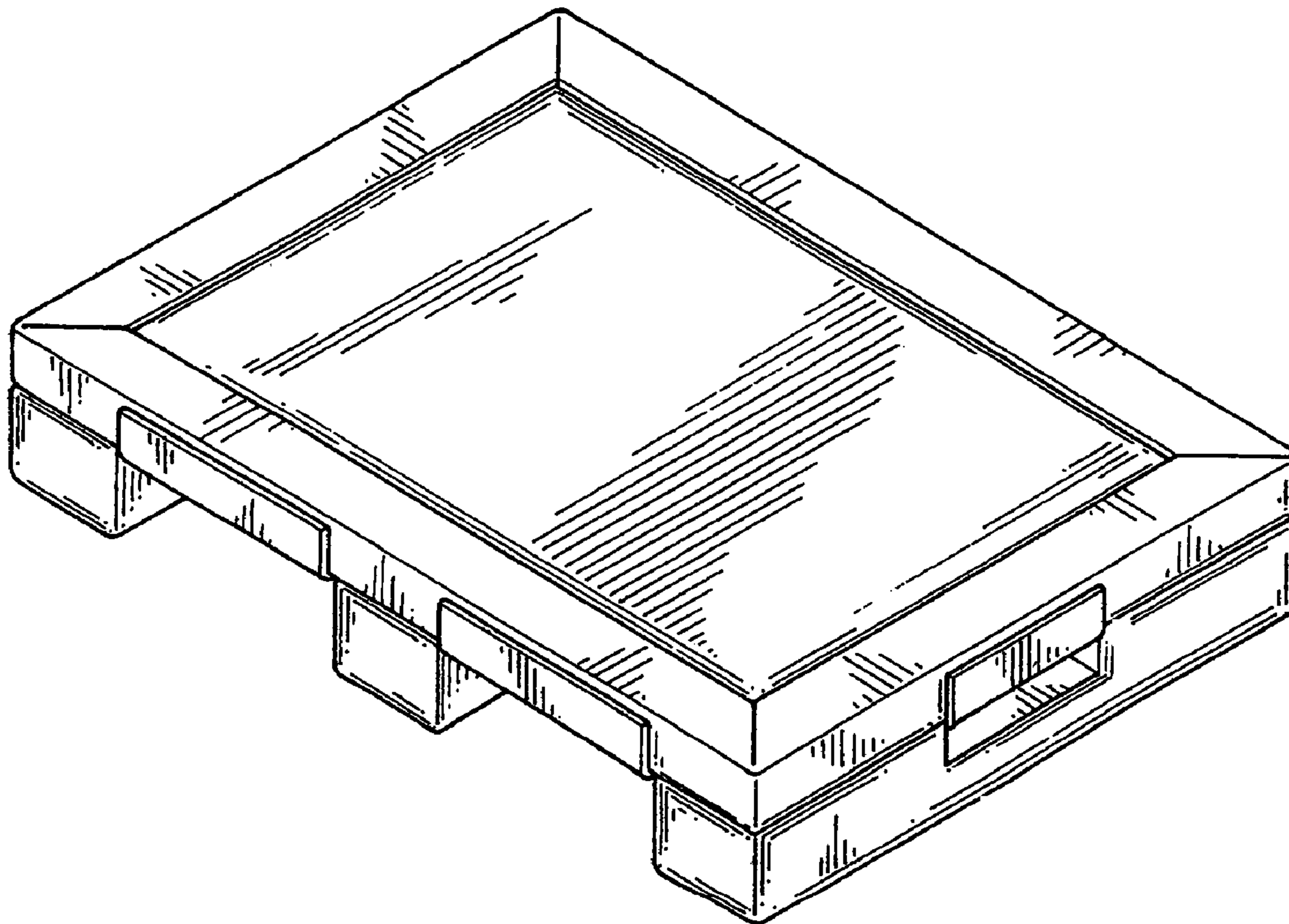
FIG. 2 is a front elevational view thereof; the rear elevational being the same;

FIG. 3 is a left side view thereof; the right side being the same;

FIG. 4 is a top plan view thereof; and,

FIG. 5 is a bottom plan view thereof.

1 Claim, 5 Drawing Sheets



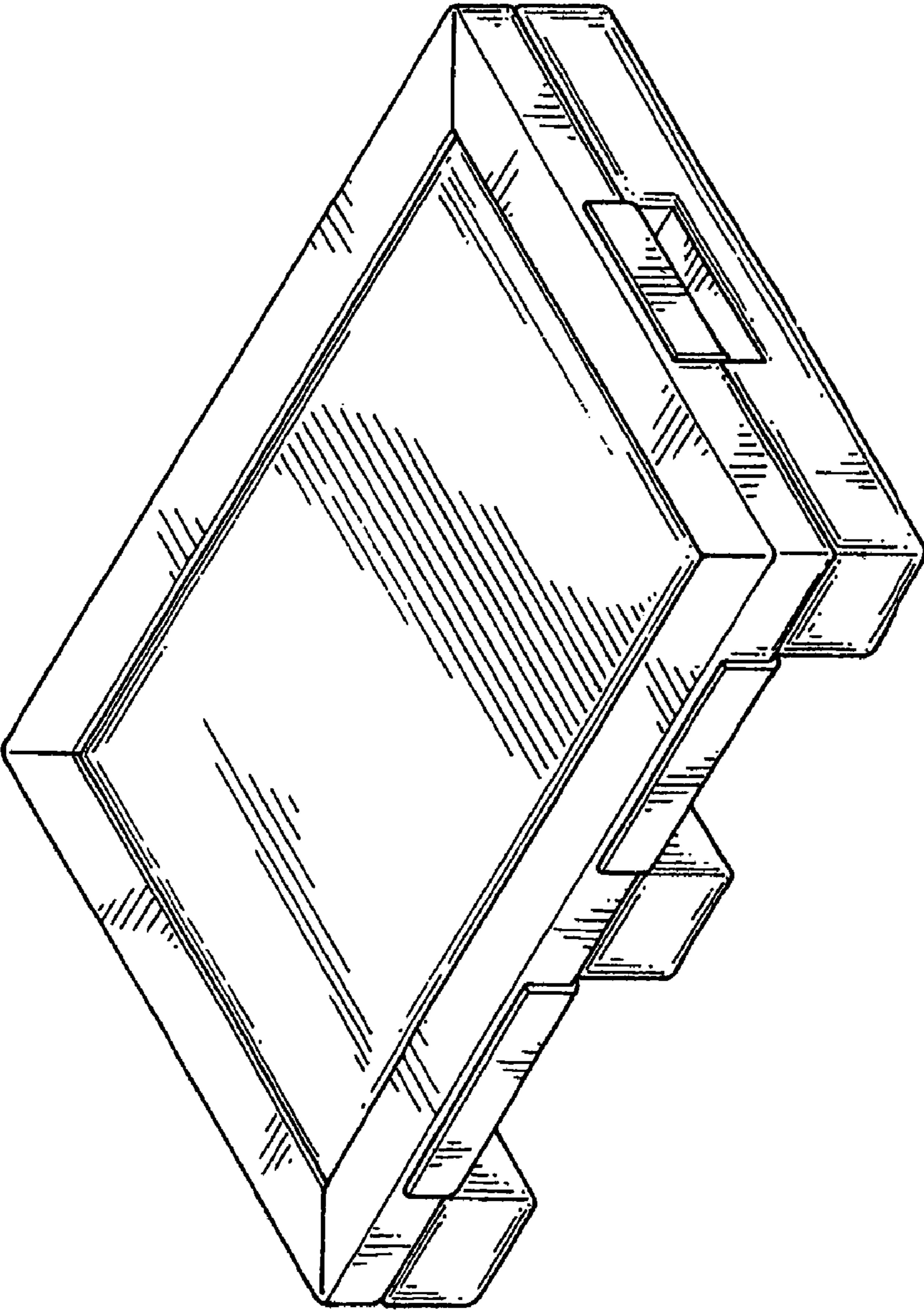


FIG 1

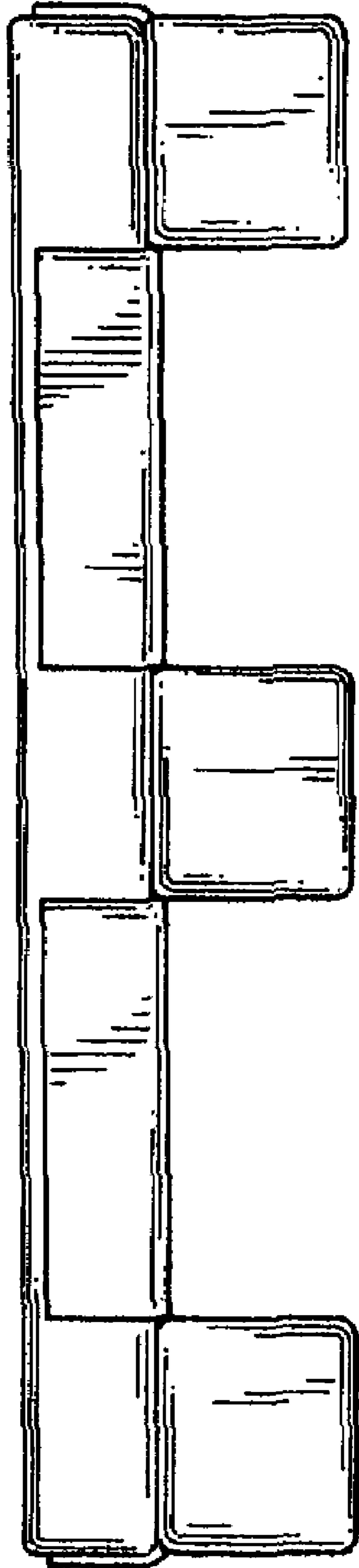


FIG 2

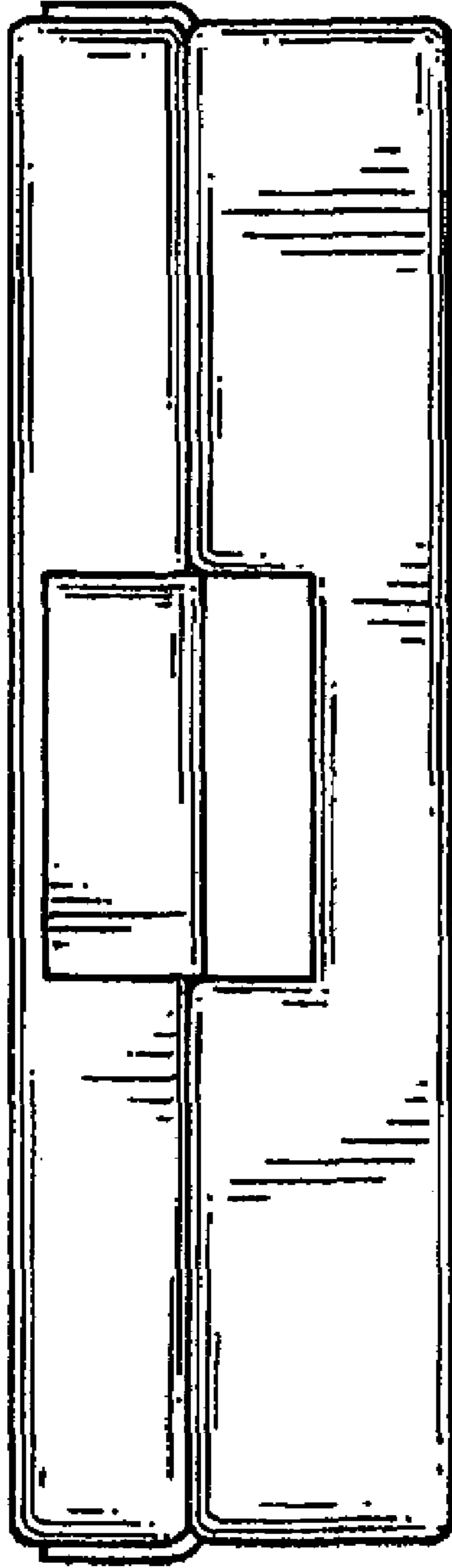


FIG 3

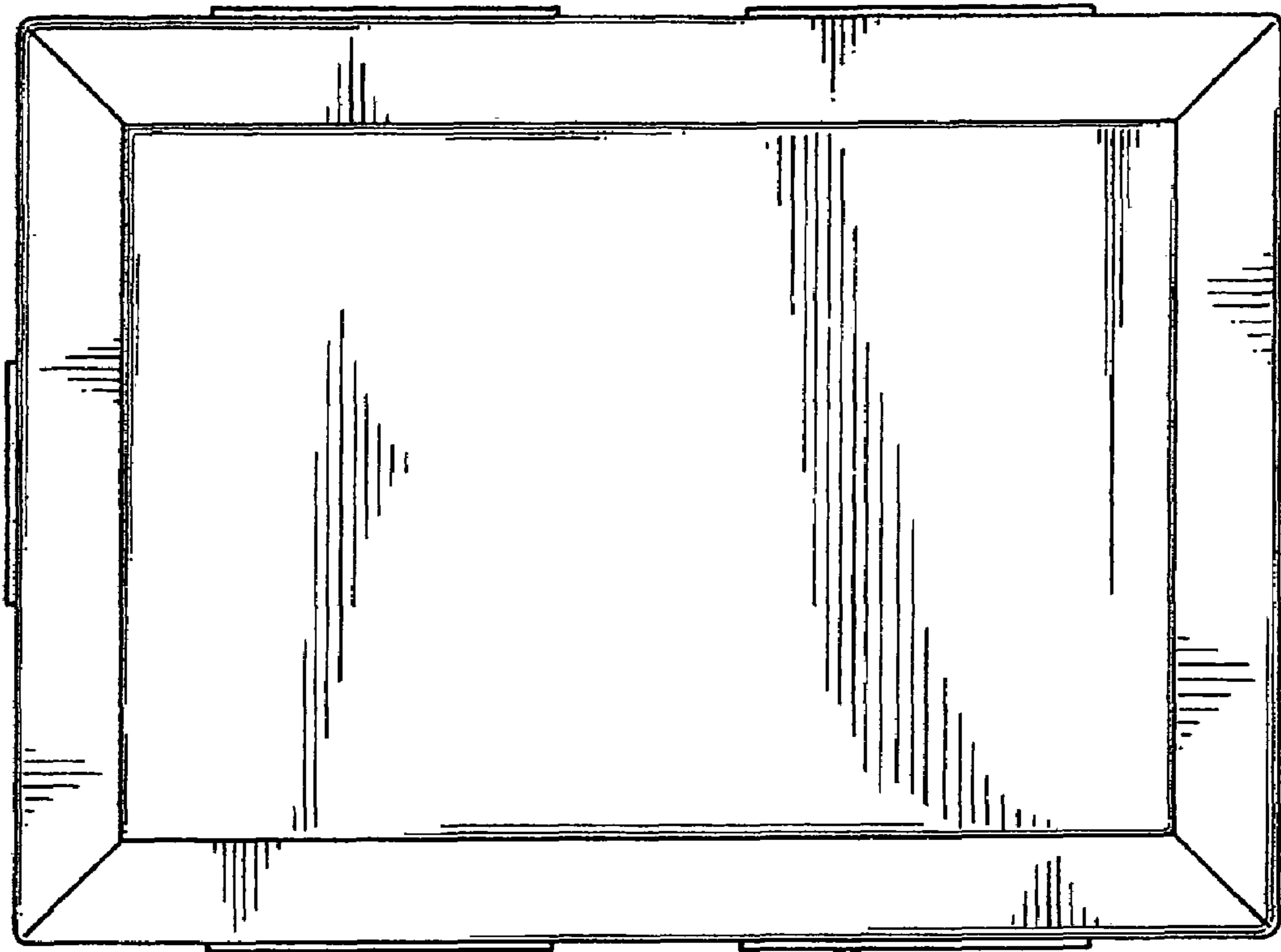


FIG 4

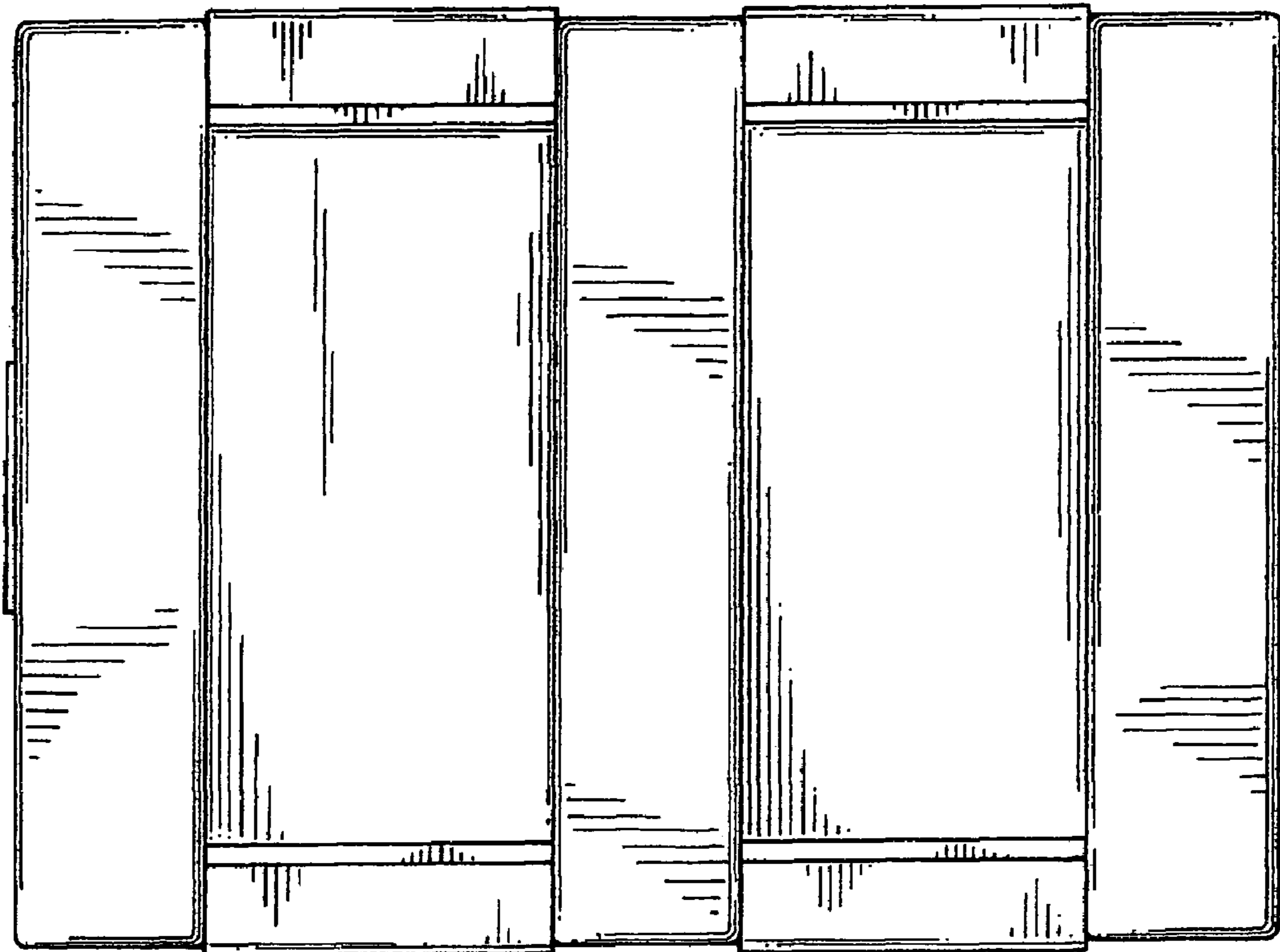


FIG 5