



US00D596824S

(12) **United States Design Patent**
Mitas

(10) **Patent No.:** **US D596,824 S**
(45) **Date of Patent:** **** Jul. 21, 2009**

(54) **BELT TENSIONER**

D571,973 S * 6/2008 Burns et al. D34/33
D573,775 S * 7/2008 Burns et al. D34/33
D586,073 S * 2/2009 Tsao D34/33

(75) Inventor: **Panayiotis Mitas**, Wayne, NJ (US)

(73) Assignee: **Thump RRR Racing LLC**, Fairfield, NJ (US)

* cited by examiner

Primary Examiner—Cynthia E Ramirez
(74) *Attorney, Agent, or Firm*—Thomas L. Adams

(**) Term: **14 Years**

(21) Appl. No.: **29/325,908**

(57) **CLAIM**

(22) Filed: **Oct. 8, 2008**

The ornamental design for a belt tensioner, as shown and described.

(51) **LOC (9) Cl.** **12-05**

(52) **U.S. Cl.** **D34/33**

(58) **Field of Classification Search** D34/33,
D34/35; 254/371, 369, 374, 362, 325, 266;
452/187, 189; 414/496, 550, 563, 543, 569
See application file for complete search history.

DESCRIPTION

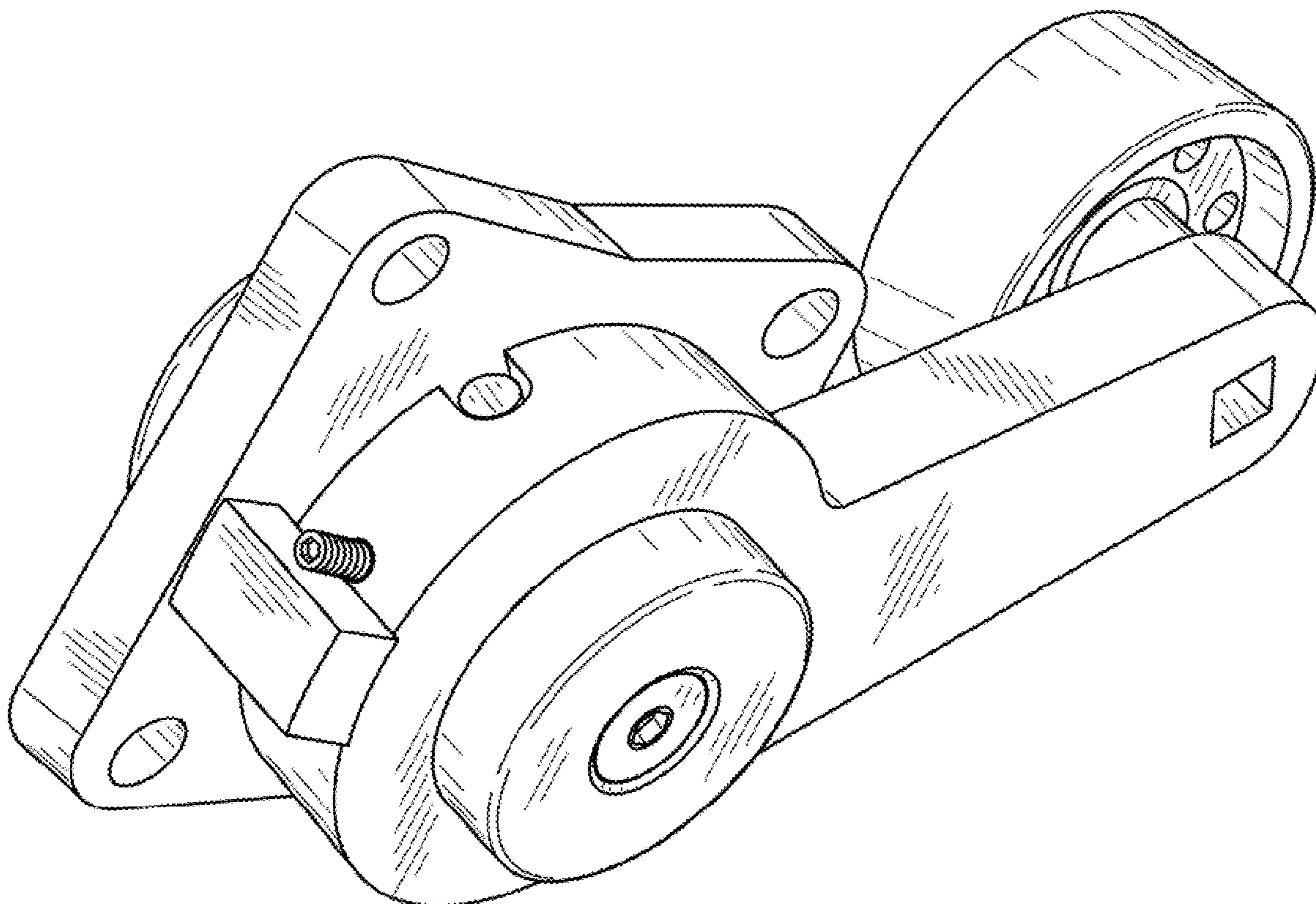
FIG. 1 is a perspective view of a belt tensioner showing my new design;
FIG. 2 is a front elevational view thereof;
FIG. 3 is a rear elevational view thereof;
FIG. 4 is a right end elevational view thereof;
FIG. 5 is a left end elevational view thereof;
FIG. 6 is a top plan view thereof; and,
FIG. 7 is a bottom plan view thereof.

(56) **References Cited**

U.S. PATENT DOCUMENTS

D315,976 S * 4/1991 Shieh D34/33
D439,722 S * 3/2001 Huang D34/33
D473,992 S * 4/2003 Hodge D34/33
D545,524 S * 6/2007 Eriksson D34/33
D556,420 S * 11/2007 Trihey et al. D34/33

1 Claim, 4 Drawing Sheets



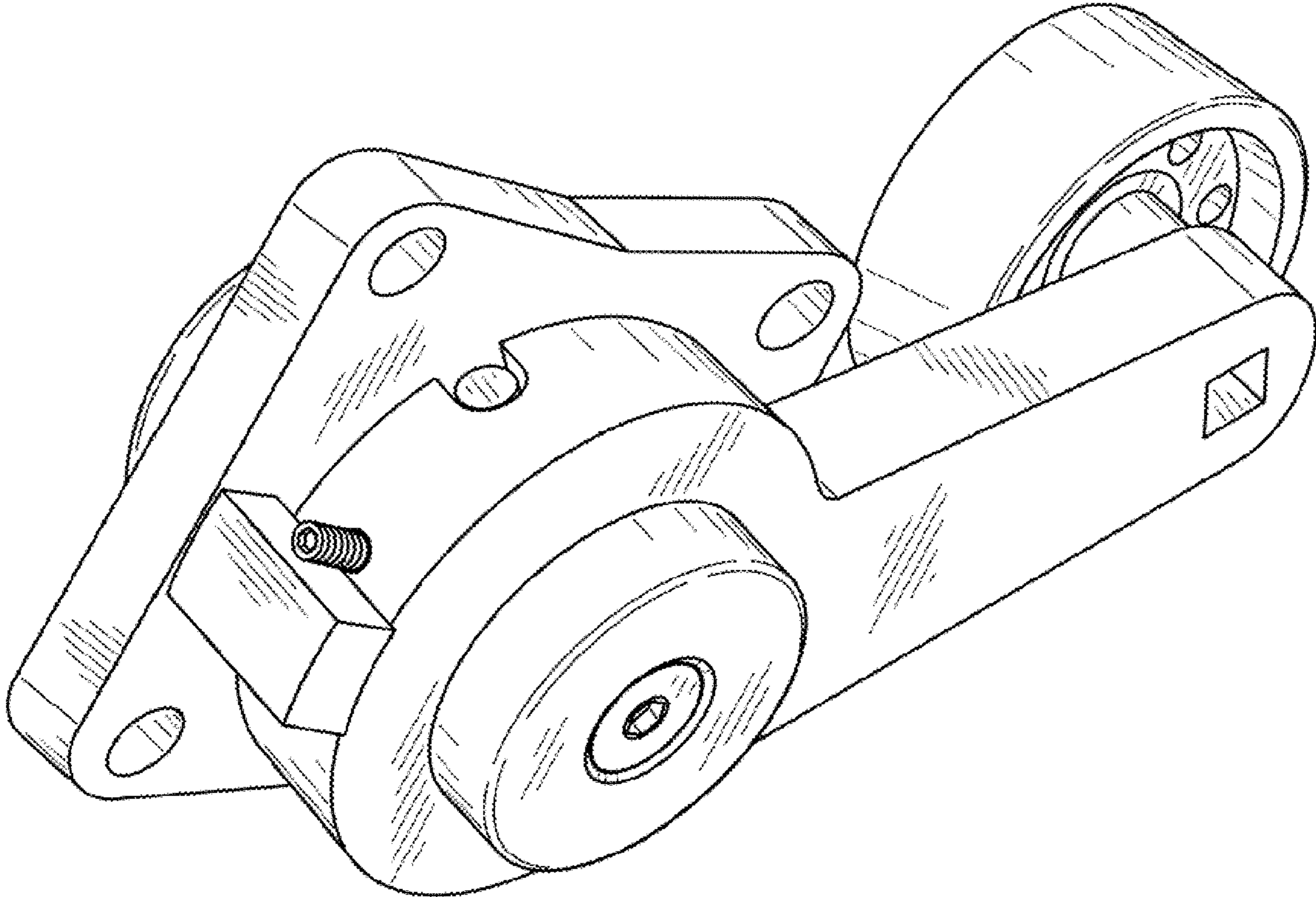


FIG. 1

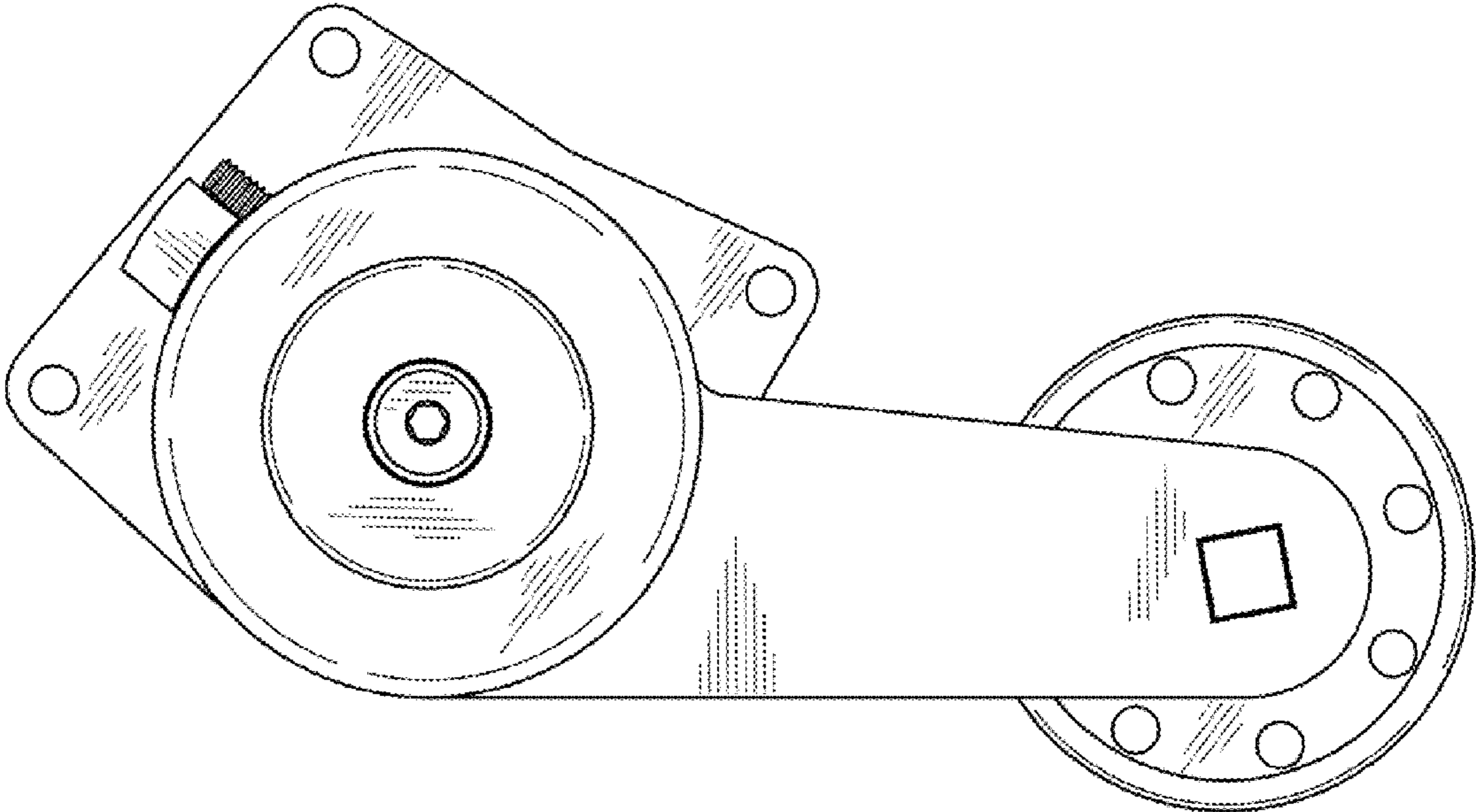


FIG. 2

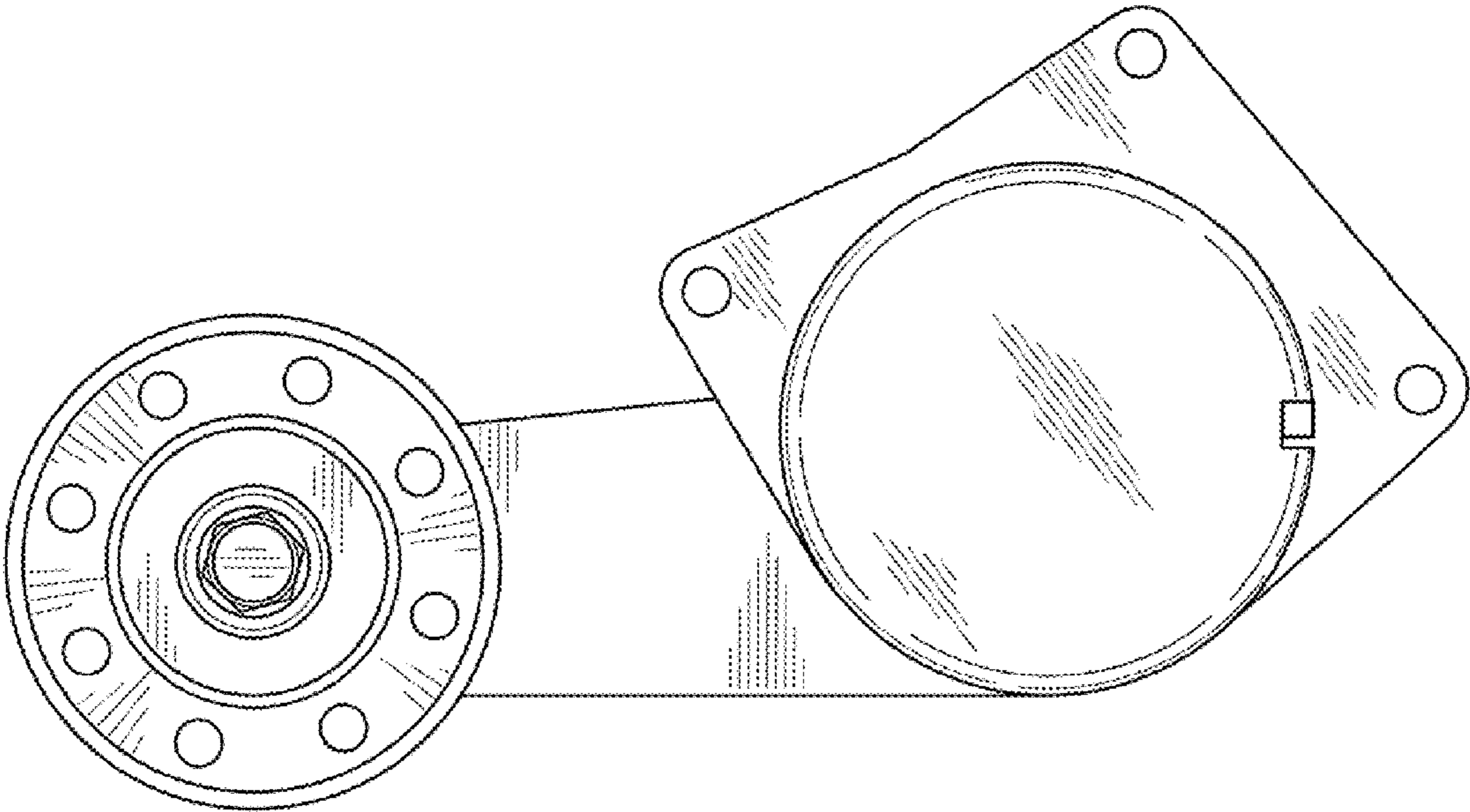


FIG. 3

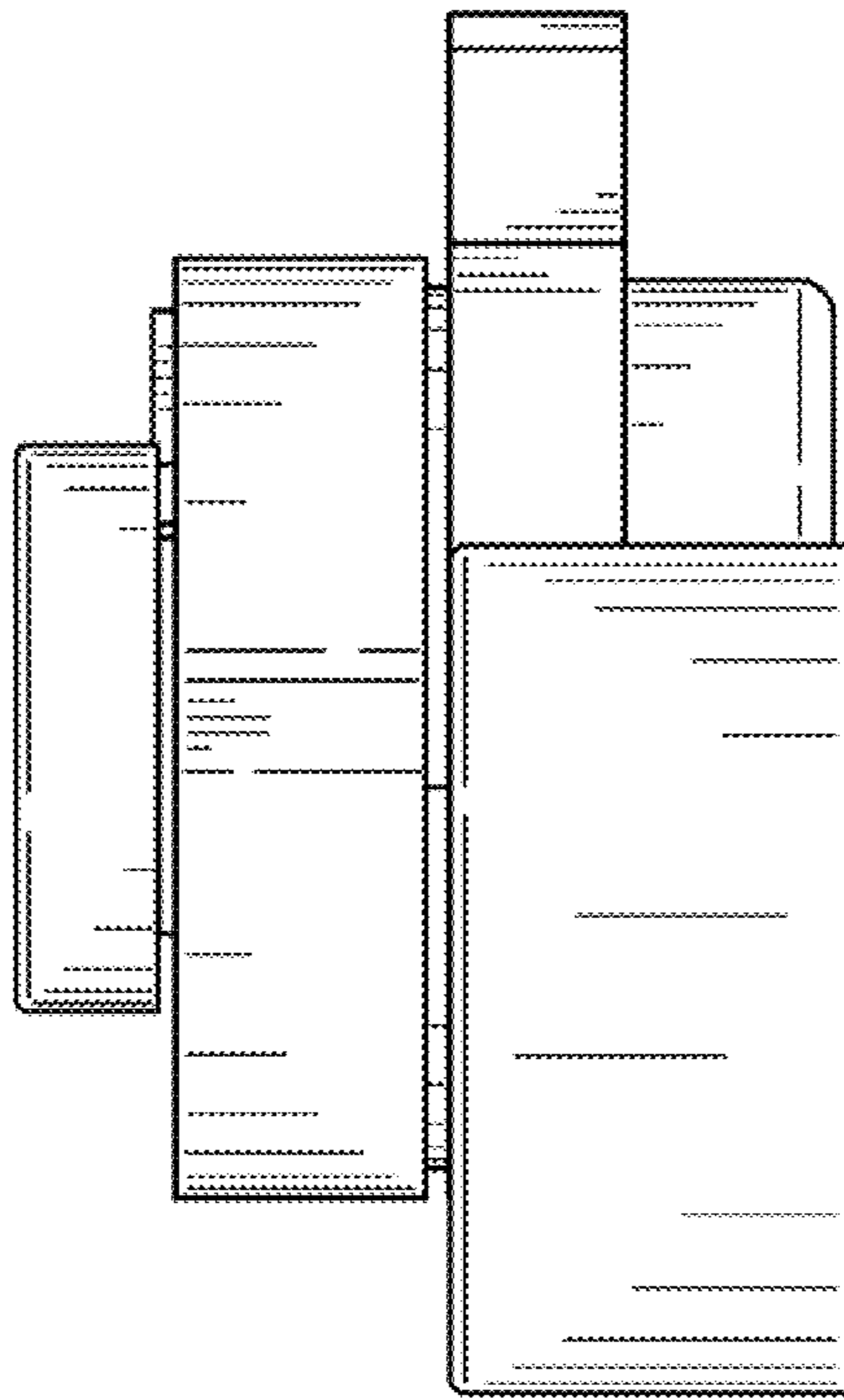


FIG. 4

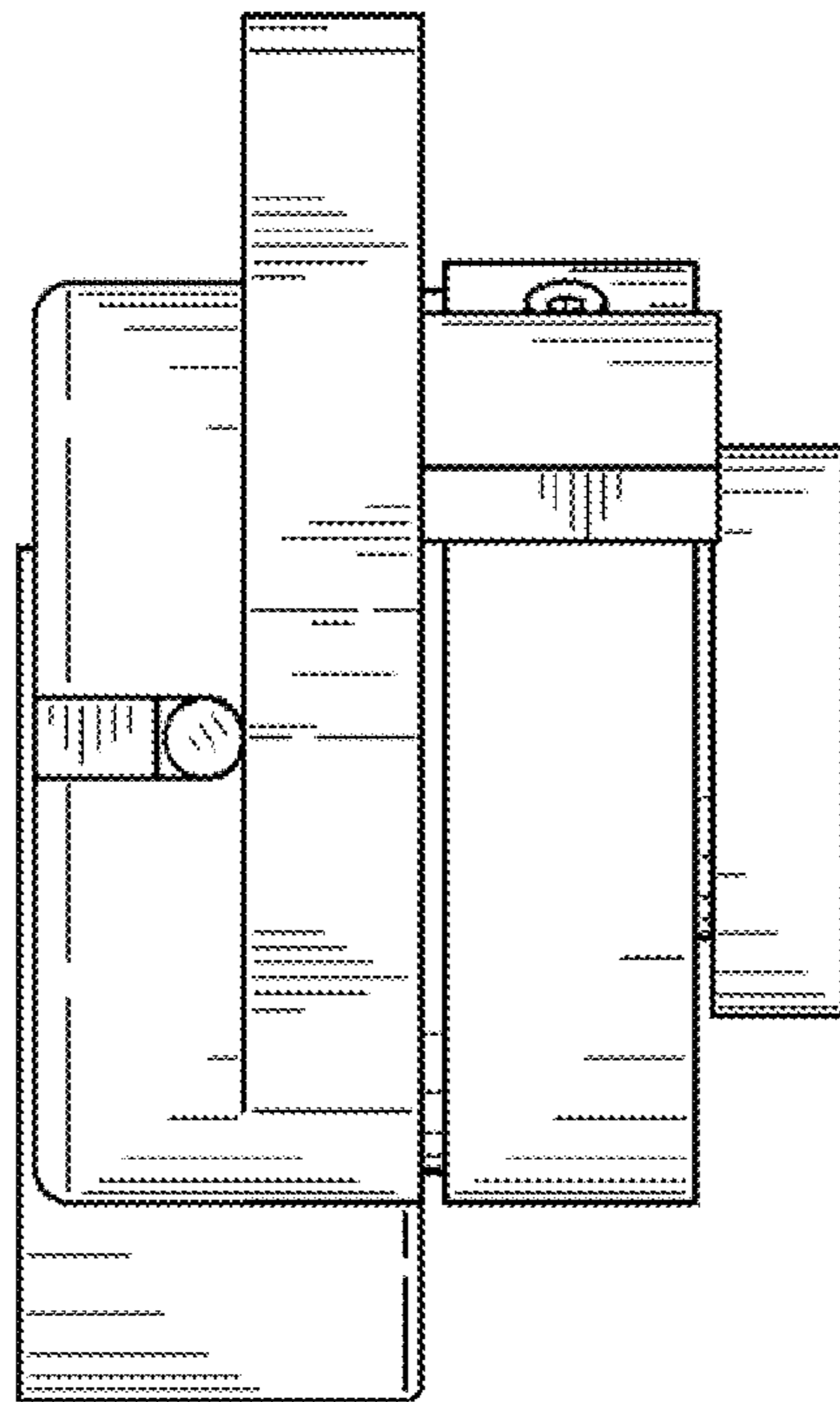


FIG. 5

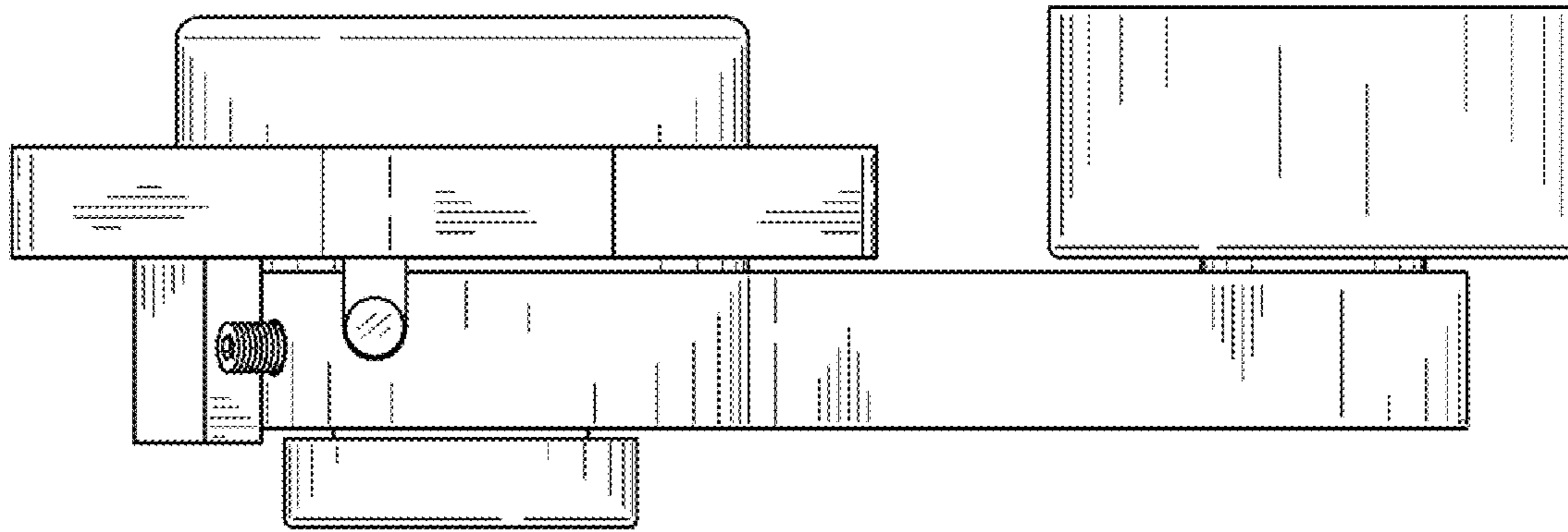


FIG. 6

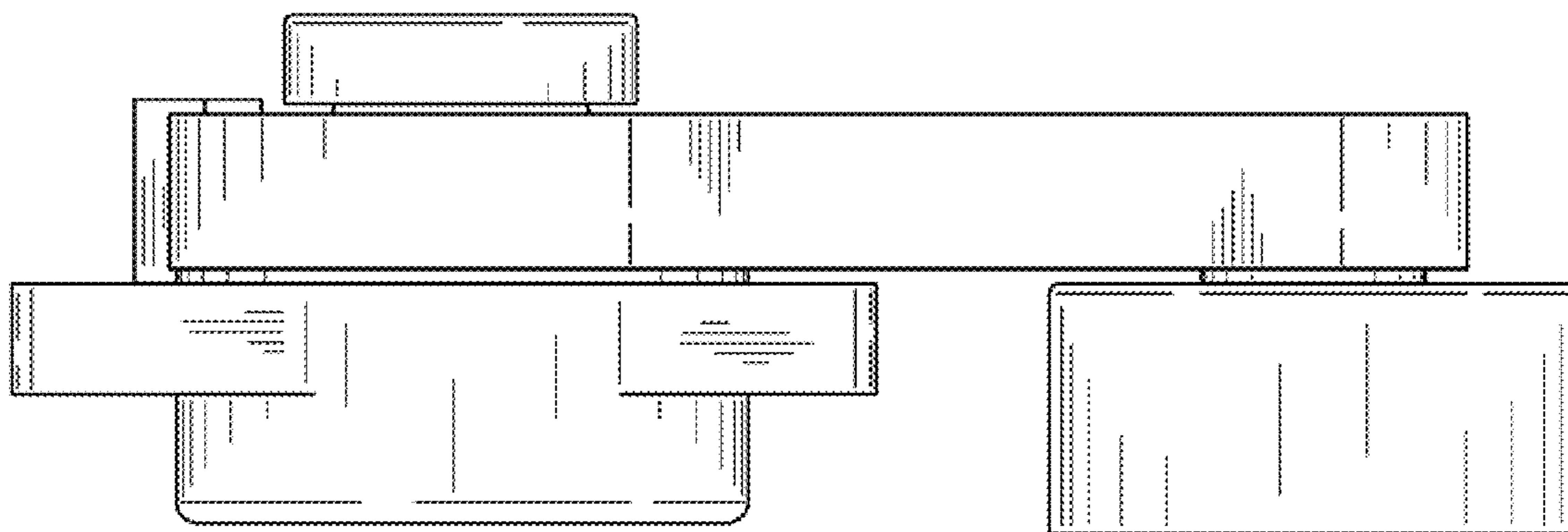


FIG. 7