



US00D596822S

(12) **United States Design Patent**
Blaszczak et al.

(10) **Patent No.:** **US D596,822 S**

(45) **Date of Patent:** **** Jul. 21, 2009**

(54) **SWIVEL HOSE REEL**

D341,240 S * 11/1993 Roman D34/24
D503,837 S * 4/2005 Alkalay D34/14
D547,021 S 7/2007 Stein

(75) Inventors: **Greg Blaszczak**, Hummelstown, PA
(US); **Peter Arcati**, Dillsburg, PA (US)

* cited by examiner

(73) Assignee: **Ames True Temper, Inc.**, Camp Hill, PA
(US)

Primary Examiner—Cynthia E Ramirez
(74) *Attorney, Agent, or Firm*—Eckert Seamans Cherin &
Mellot, LLC; David C. Jenkins, Esq.

(**) Term: **14 Years**

(57) **CLAIM**

(21) Appl. No.: **29/327,386**

The design for a swivel hose reel, as shown and described.

(22) Filed: **Nov. 5, 2008**

DESCRIPTION

(51) **LOC (9) Cl.** **12-02**

FIG. 1 is an isometric view of the swivel hose reel.

(52) **U.S. Cl.** **D34/24**

FIG. 2 is a front side view of the swivel hose reel.

(58) **Field of Classification Search** D34/12-27;
D8/359; 280/33.991, 33.992, 33.994, 47.18,
280/47.26, 47.34

FIG. 3 is a back side view of the swivel hose reel.

FIG. 4 is a top view of the swivel hose reel.

See application file for complete search history.

FIG. 5 is a bottom view of the swivel hose reel.

FIG. 6 is a right side view of the swivel hose reel; and,

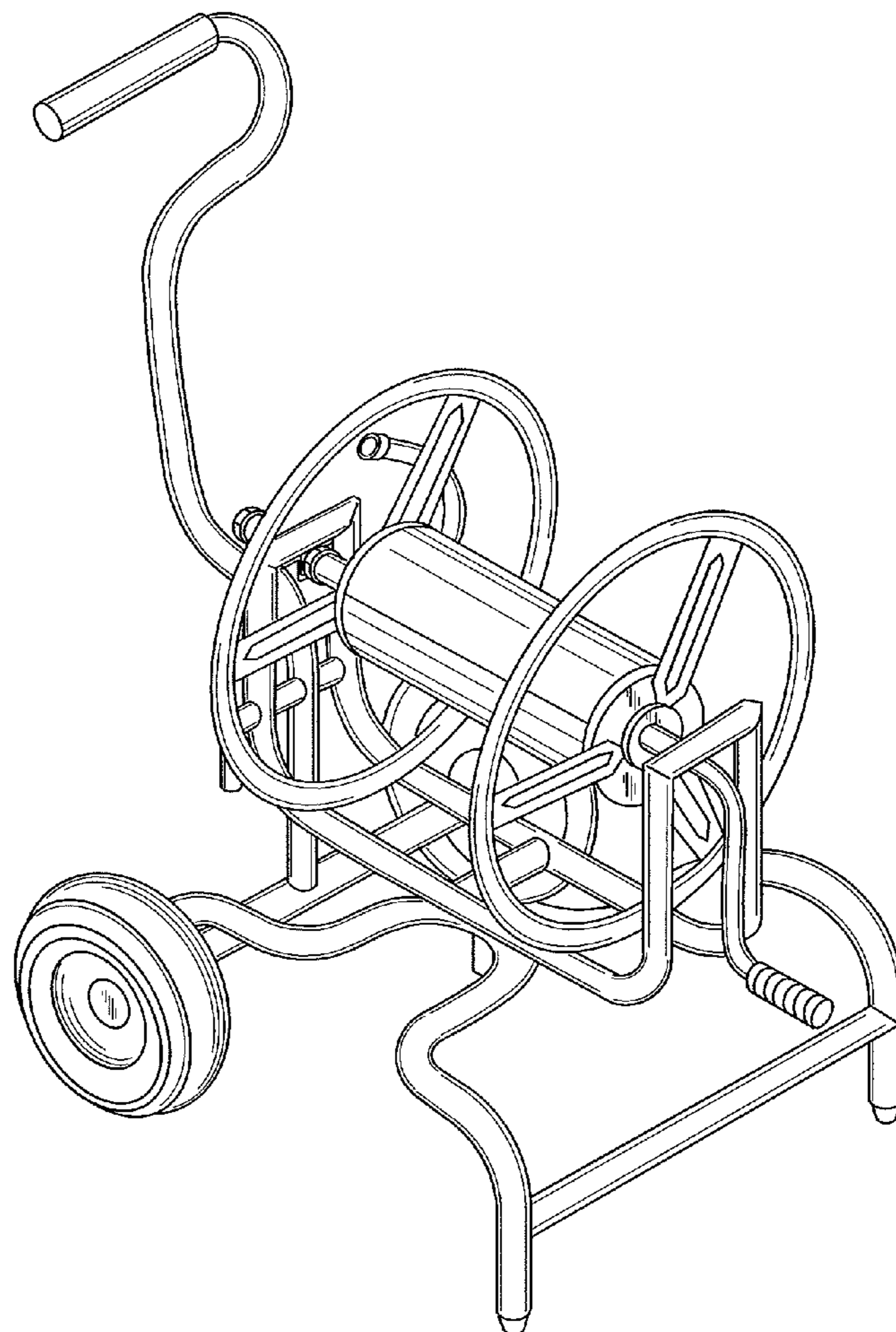
FIG. 7 is a left side view of the swivel hose reel.

(56) **References Cited**

U.S. PATENT DOCUMENTS

D147,372 S * 8/1947 Marsh D8/359

1 Claim, 6 Drawing Sheets



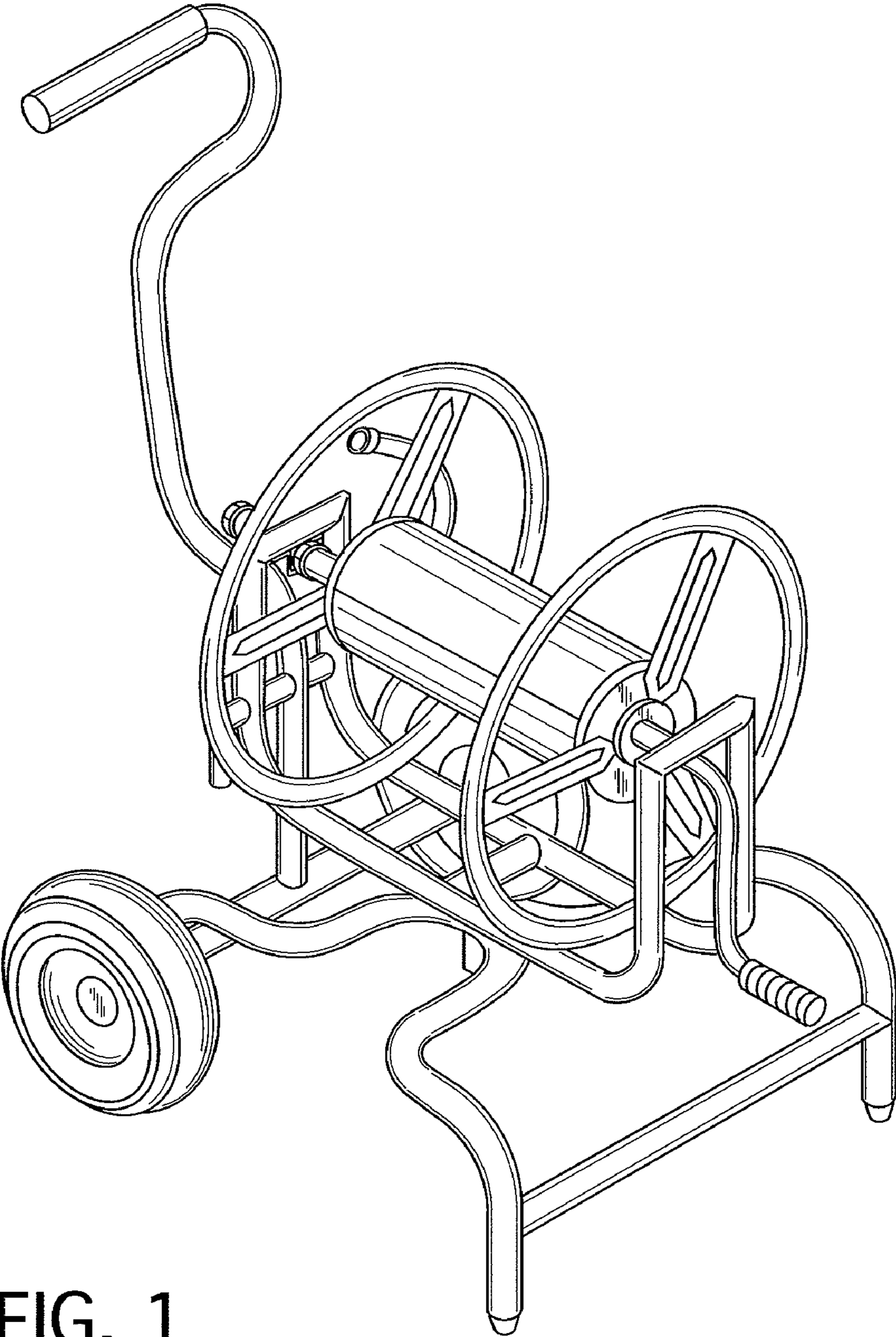


FIG. 1

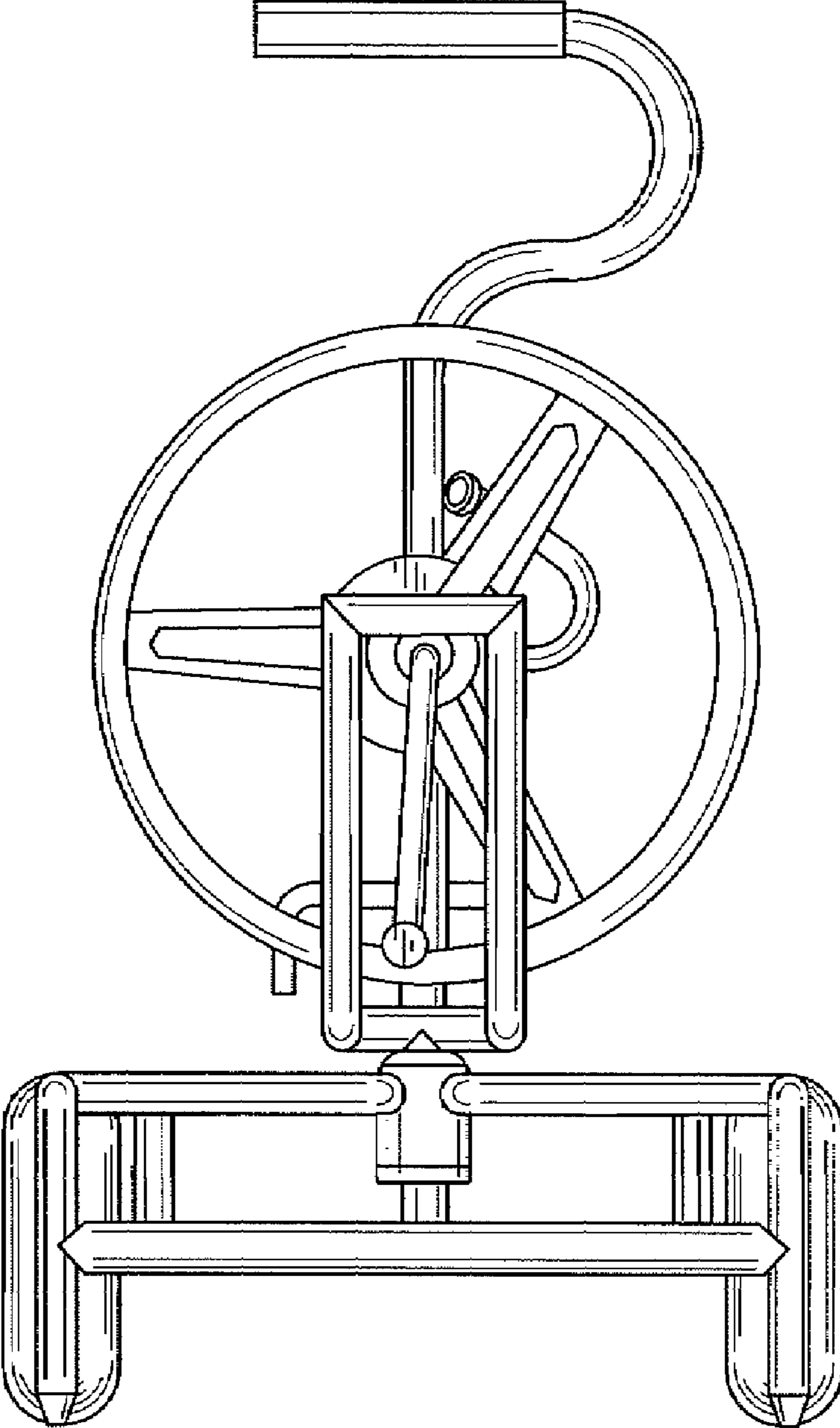


FIG. 2

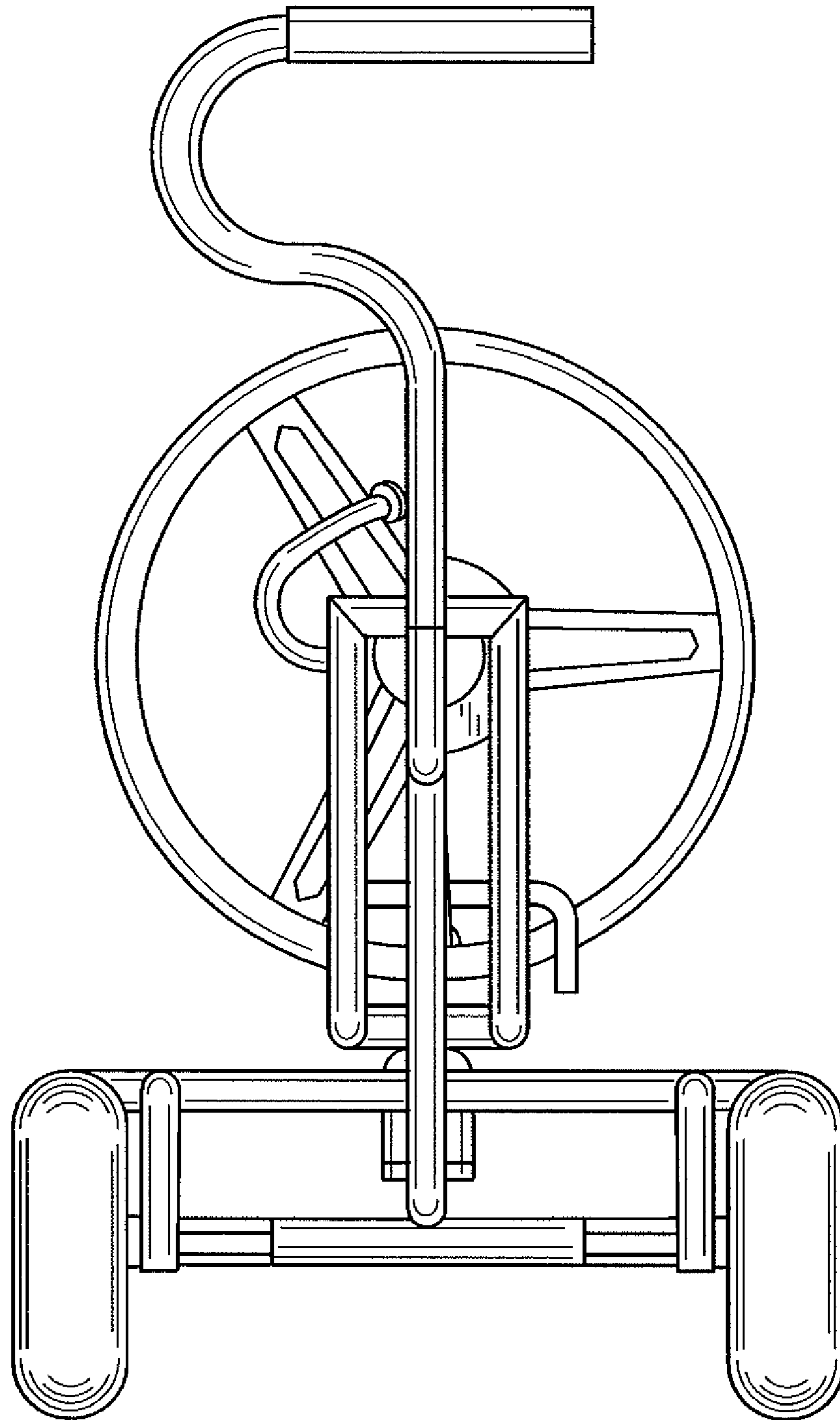


FIG. 3

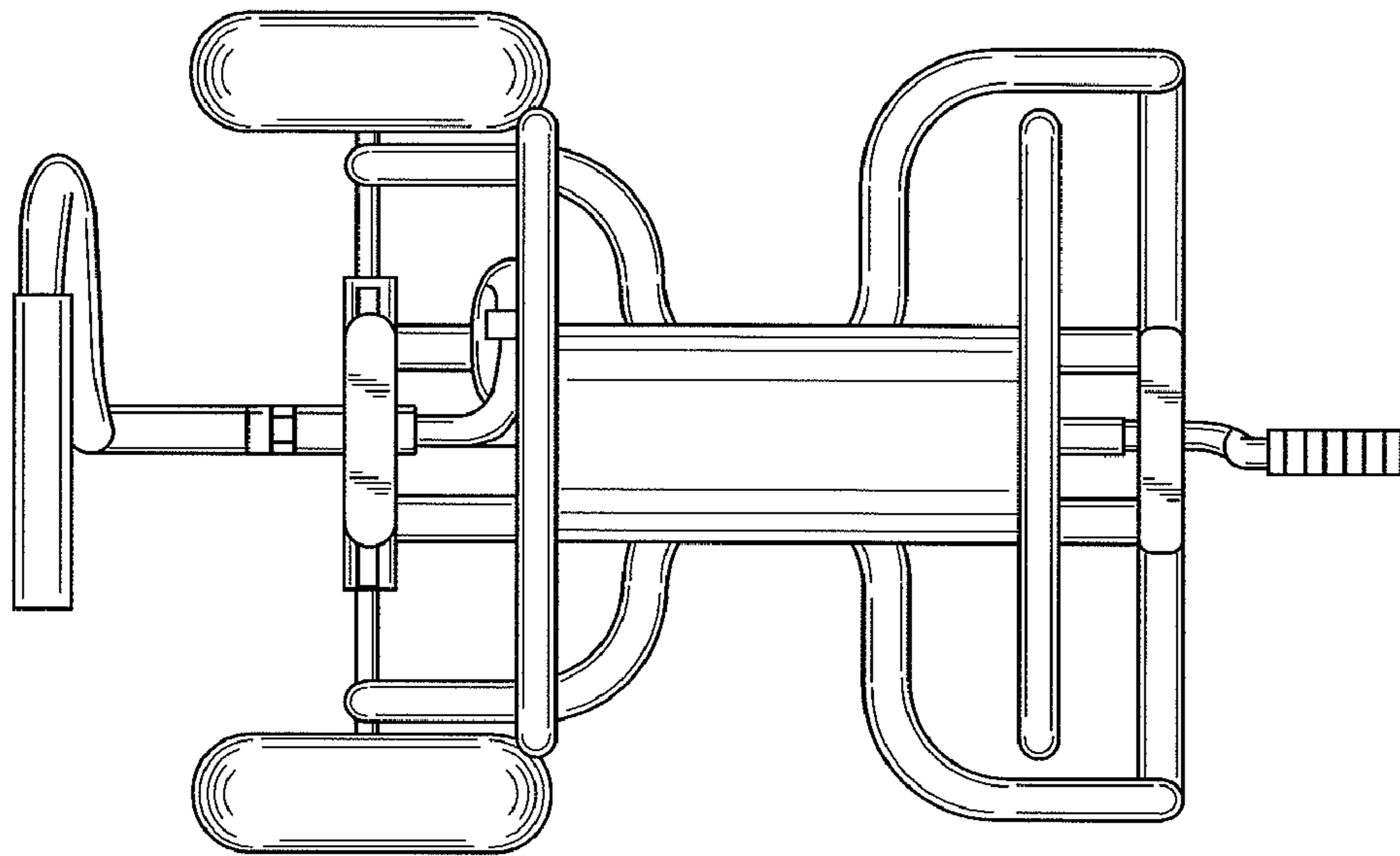


FIG. 4

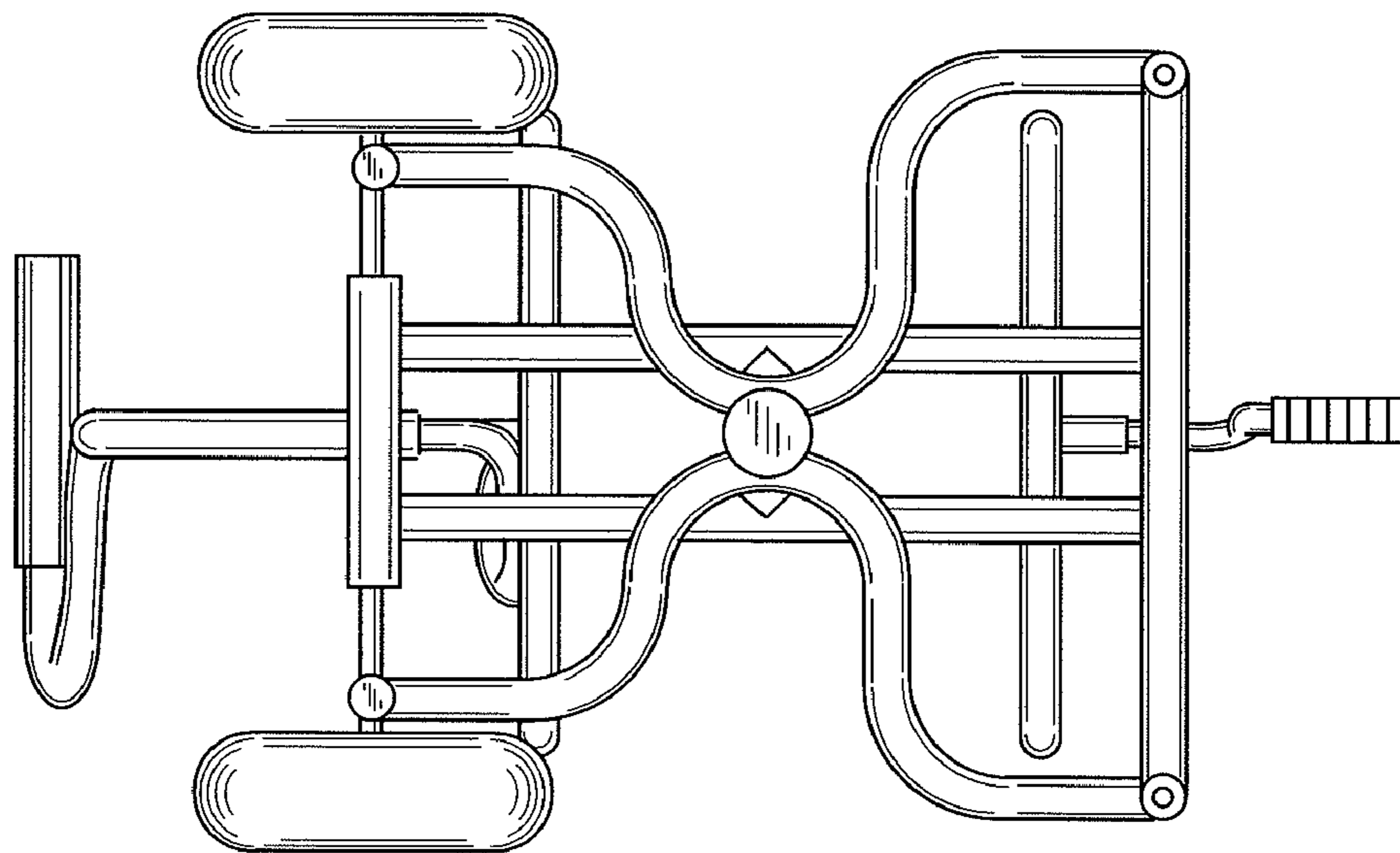


FIG. 5

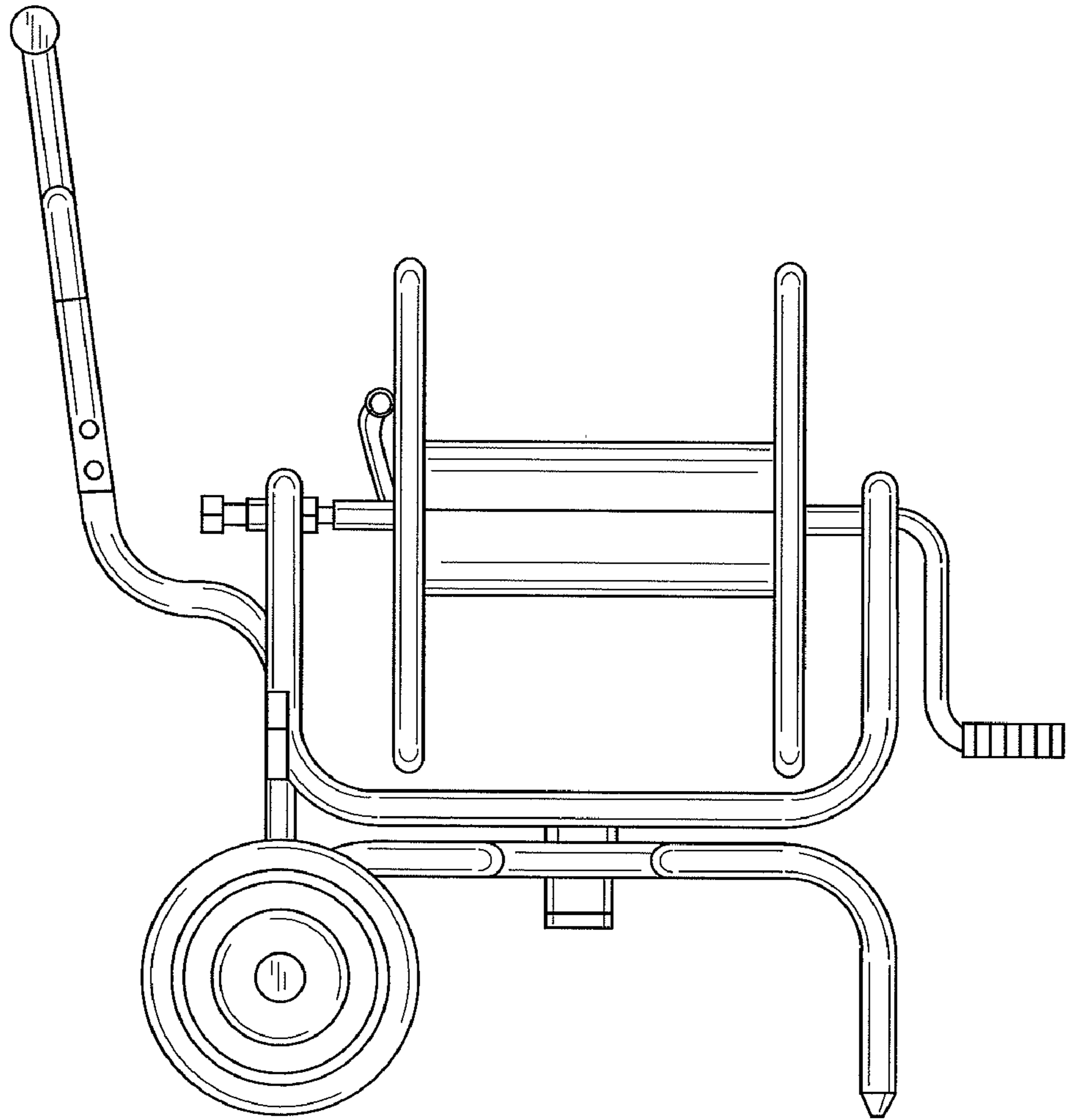


FIG. 6

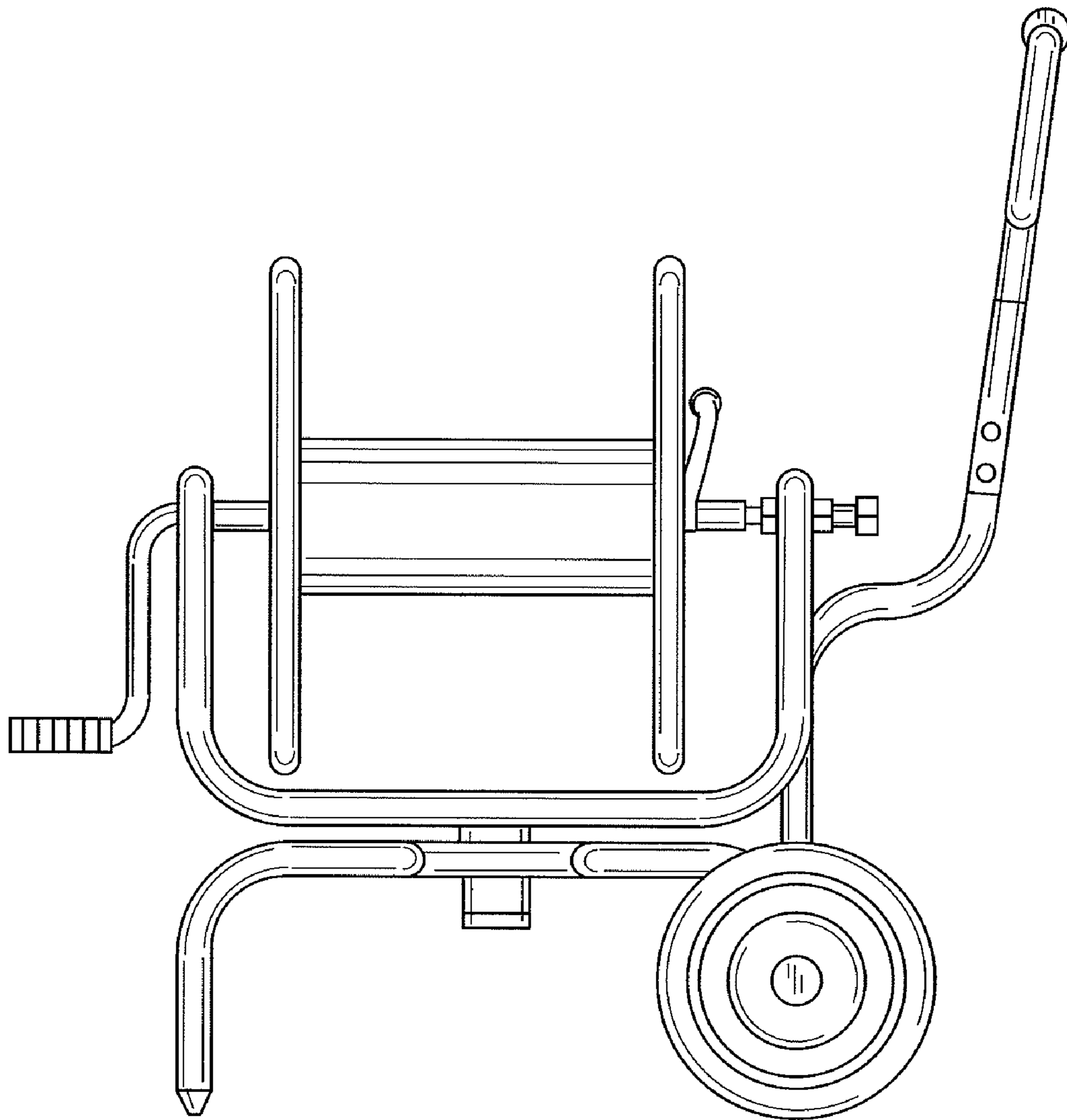


FIG. 7