

US00D596821S

(12) **United States Design Patent**
Reimers et al.

(10) **Patent No.:** **US D596,821 S**

(45) **Date of Patent:** **** Jul. 21, 2009**

(54) **EXPANDED GOLF BAG CART**

(75) Inventors: **Eric W. Reimers**, Missoula, MT (US);
Dale Truett, Missoula, MT (US); **Mark Robirds**, Florence, MT (US)

(73) Assignee: **Sun Mountain Sports, Inc.**, Missoula, MT (US)

(**) Term: **14 Years**

(21) Appl. No.: **29/323,422**

(22) Filed: **Aug. 26, 2008**

(51) **LOC (9) Cl.** **12-13**

(52) **U.S. Cl.** **D34/15**

(58) **Field of Classification Search** D34/12-27;
280/DIG. 5, DIG. 6; 180/19.3, 19.1, 215,
180/216, 907

See application file for complete search history.

(56) **References Cited**

U.S. PATENT DOCUMENTS

- D179,126 S * 11/1956 Eging D34/15
- D210,202 S * 2/1968 Stuart D34/27
- D213,789 S * 4/1969 Ingelo D21/785
- D261,378 S * 10/1981 Bergeron D12/128

- D319,131 S * 8/1991 Smeitink D34/23
- D321,964 S * 11/1991 Alterbaum D34/15
- D348,965 S * 7/1994 Machen et al. D34/15
- D414,909 S * 10/1999 Tinz D34/15
- D442,755 S * 5/2001 Fluss D34/18
- D522,706 S * 6/2006 Stewart et al. D34/15
- D573,771 S * 7/2008 Ball et al. D34/15
- D580,618 S * 11/2008 Liao D34/15
- D586,522 S * 2/2009 Liao D34/15

* cited by examiner

Primary Examiner—Cynthia E Ramirez

(74) *Attorney, Agent, or Firm*—Michael J. Hughes

(57) **CLAIM**

The ornamental design for an expanded golf bag cart, as shown.

DESCRIPTION

FIG. 1 is a perspective view of an expanded golf bag cart showing our new design;

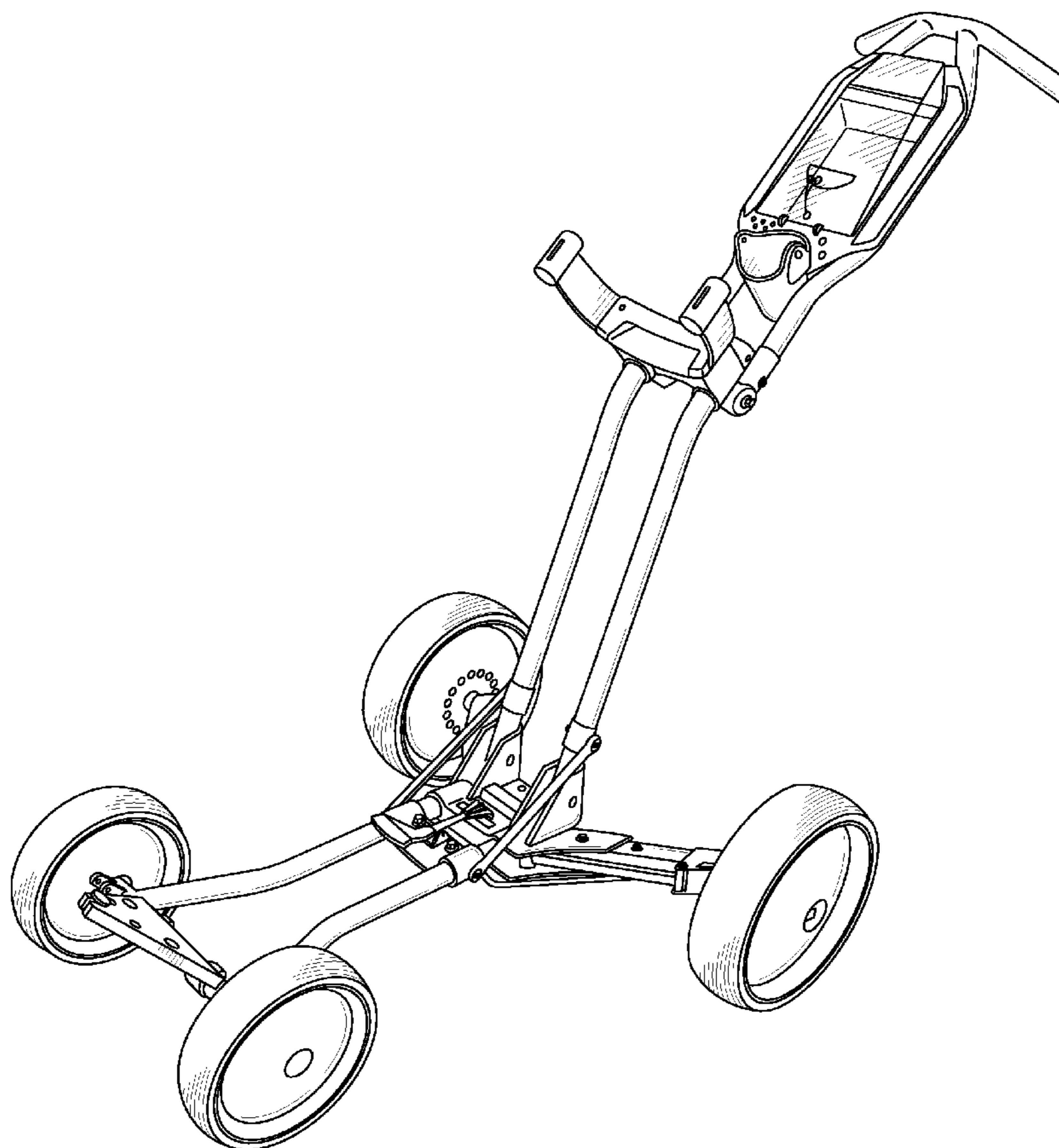
FIG. 2 is a front plan view thereof;

FIG. 3 is a rear plan view thereof;

FIG. 4 is a side elevational view thereof; and,

FIG. 5 is a bottom plan view thereof.

1 Claim, 5 Drawing Sheets



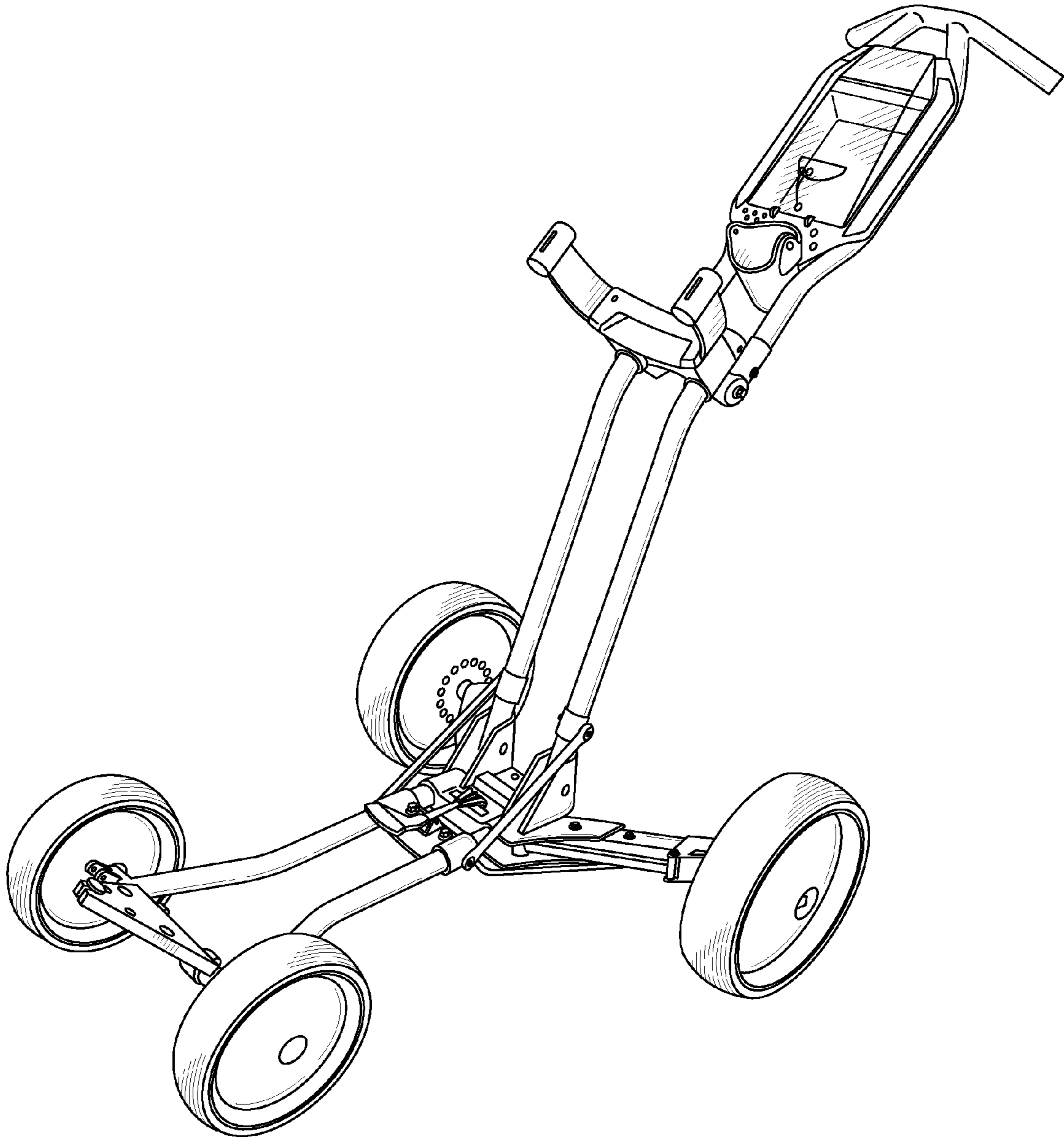


FIG. 1

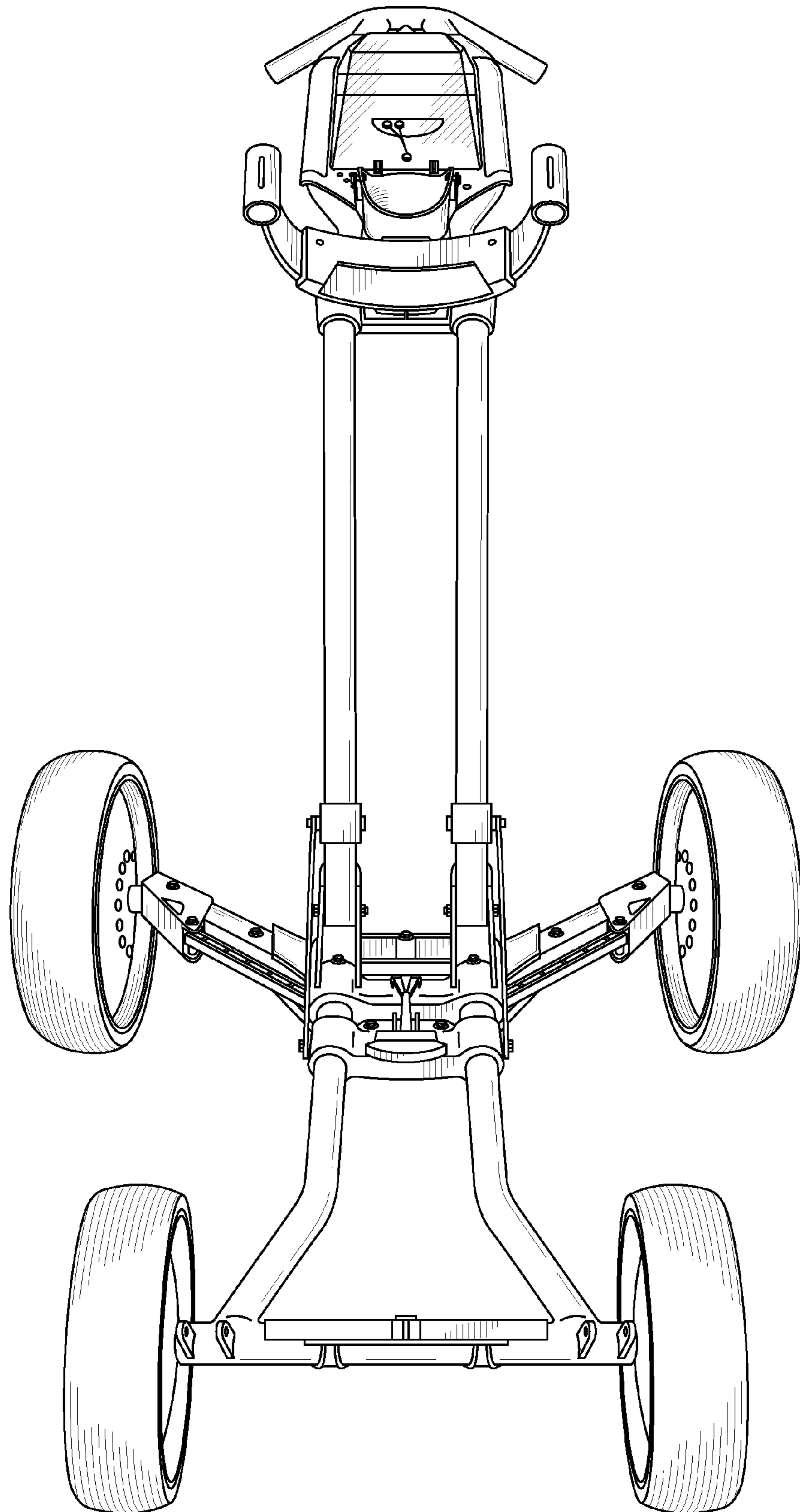


FIG. 2

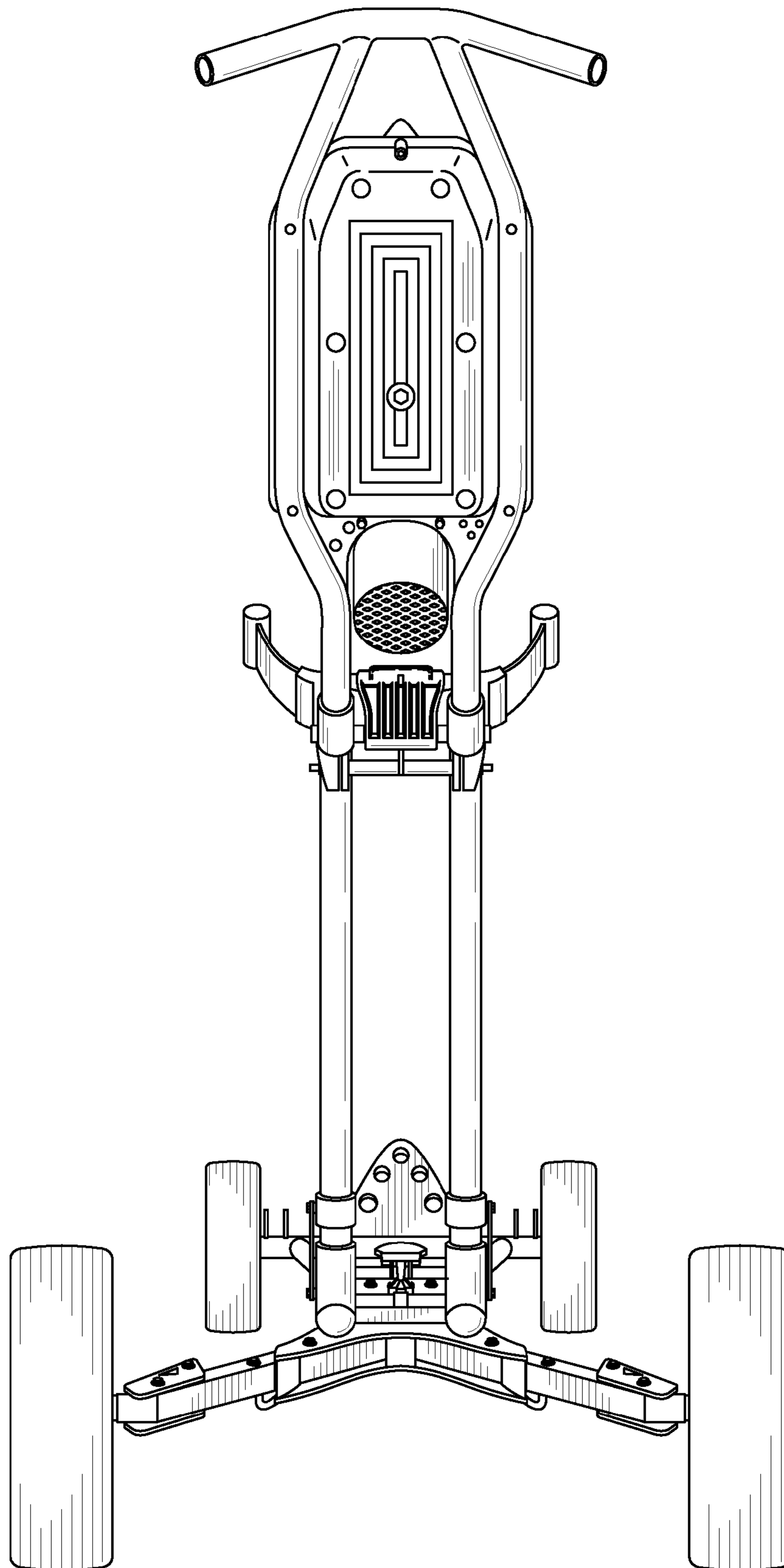


FIG. 3

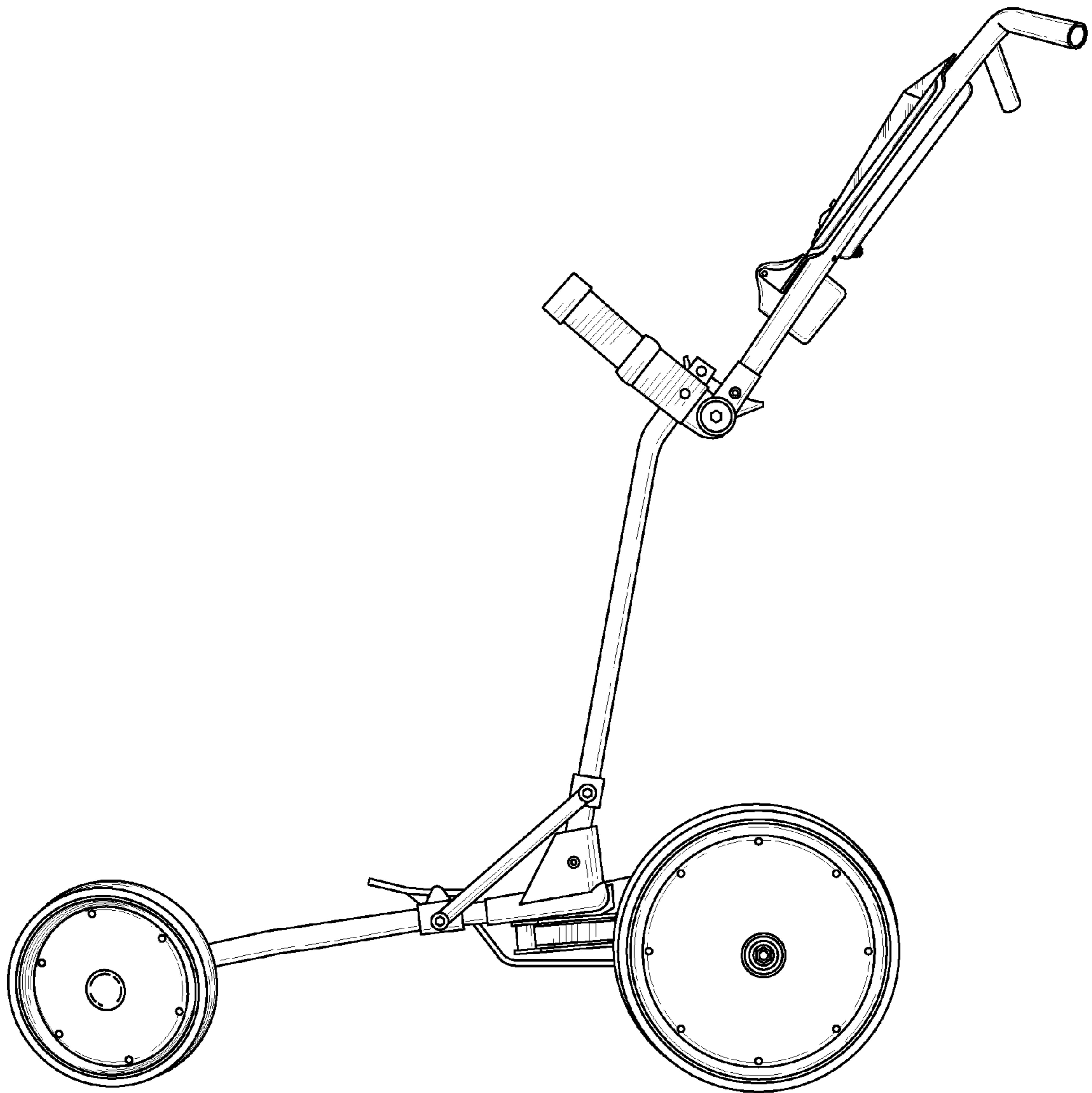


FIG. 4

