



US00D596818S

(12) **United States Design Patent**
Masse

(10) **Patent No.:** **US D596,818 S**
(45) **Date of Patent:** **** Jul. 21, 2009**

(54) **GREASE GRABBER**

(76) Inventor: **Lauren T. Masse**, 8506 Liberty Hall Dr.,
Midland, GA (US) 31820

(**) Term: **14 Years**

(21) Appl. No.: **29/293,477**

(22) Filed: **Nov. 27, 2007**

(51) **LOC (9) Cl.** **04-01**

(52) **U.S. Cl.** **D32/40**

(58) **Field of Classification Search** D32/40;
15/208, 209, 210.1, 1.51, 1.52, 244.1, 244.3,
15/244.41

See application file for complete search history.

(56) **References Cited**

U.S. PATENT DOCUMENTS

1,397,611	A	11/1921	Bailey	
1,748,406	A	2/1930	Blair	
2,007,238	A	7/1935	Anderson	
2,885,703	A *	5/1959	Elliott	15/118
3,377,643	A *	4/1968	Teng et al.	15/118
4,077,672	A	3/1978	Clark, Jr.	
4,130,683	A	12/1978	Michel et al.	

D271,817	S	12/1983	Collin	
5,230,119	A *	7/1993	Woods et al.	15/209.1
5,277,389	A	1/1994	Ballares et al.	
6,044,515	A *	4/2000	Zygmunt	15/209.1
D437,095	S	1/2001	Osiecki et al.	
6,311,361	B1 *	11/2001	Cole	15/227
6,464,815	B1 *	10/2002	Beaudry	156/202
6,481,443	B1 *	11/2002	Moore-Johnson et al.	132/73

* cited by examiner

Primary Examiner—Robin V Webster

(74) *Attorney, Agent, or Firm*—Kyle Fletcher

(57) **CLAIM**

The ornamental design for the grease grabber, as shown and described.

DESCRIPTION

FIG. 1 is a front view of the device.

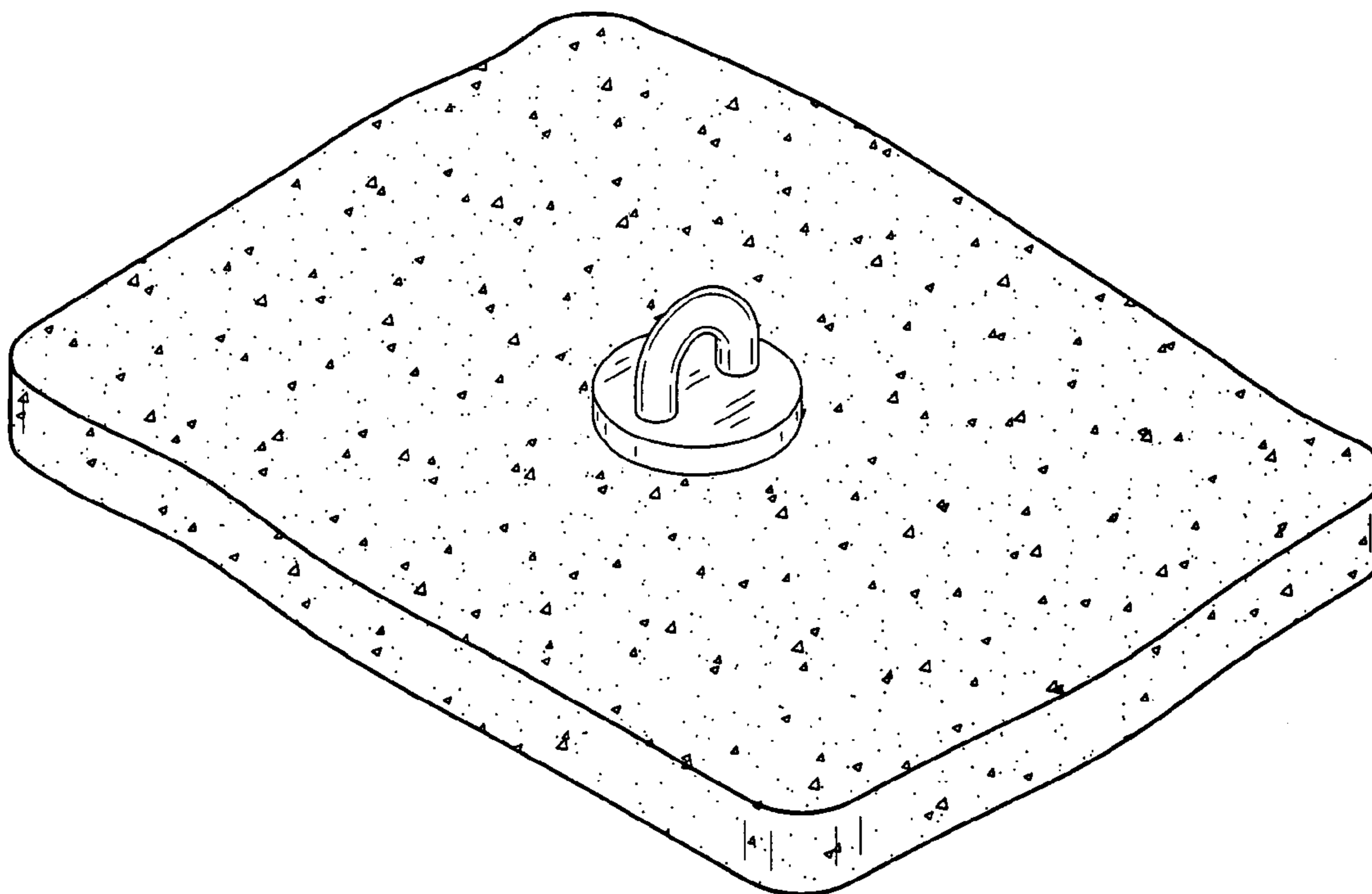
FIG. 2 is a rear view of the device.

FIG. 3 is a left side view of the device.

FIG. 4 is a top view of the device; and,

FIG. 5 is an isometric view of the device.

1 Claim, 2 Drawing Sheets



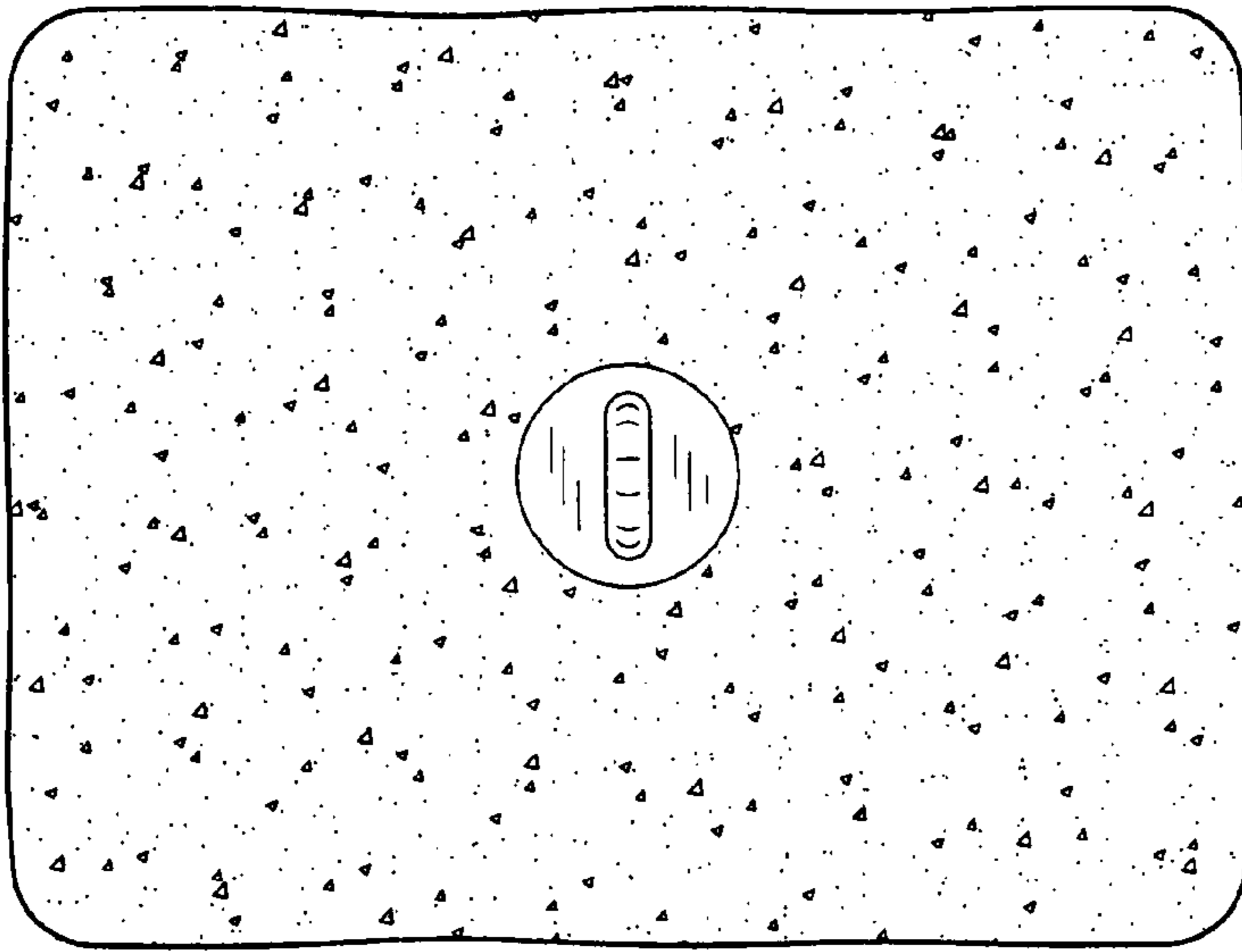


FIG. 1

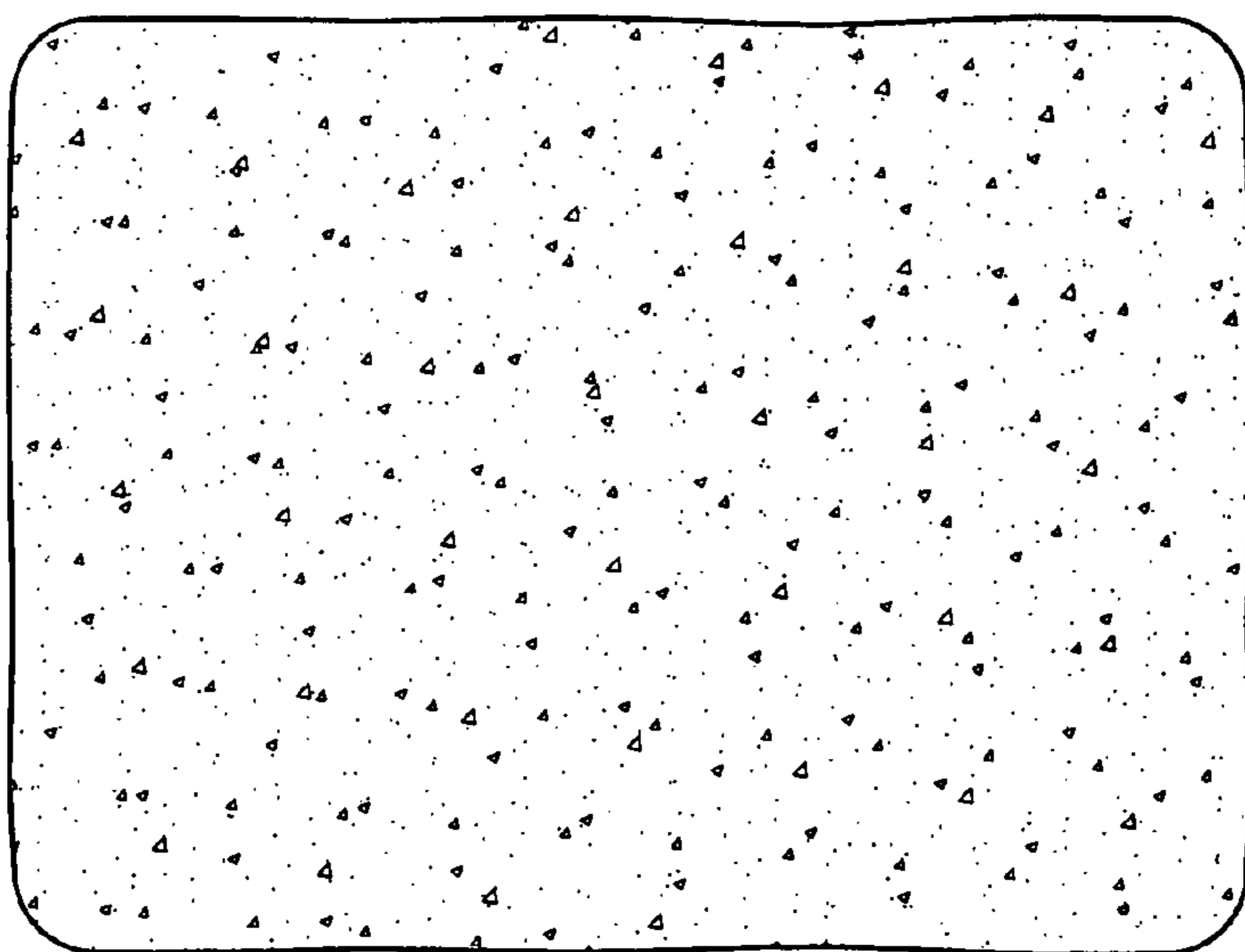


FIG. 2

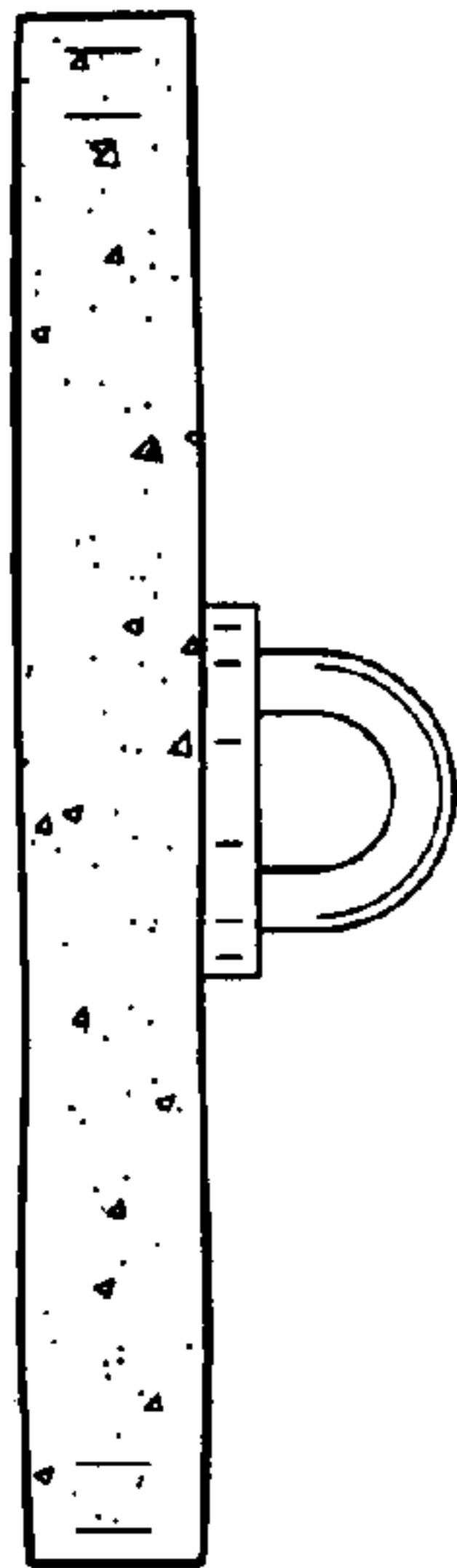


FIG. 3

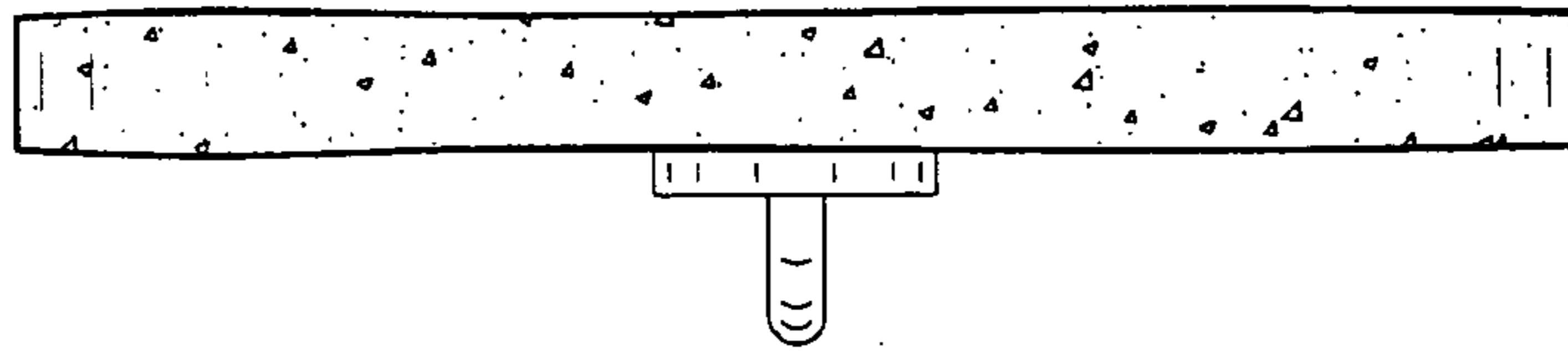


FIG. 4

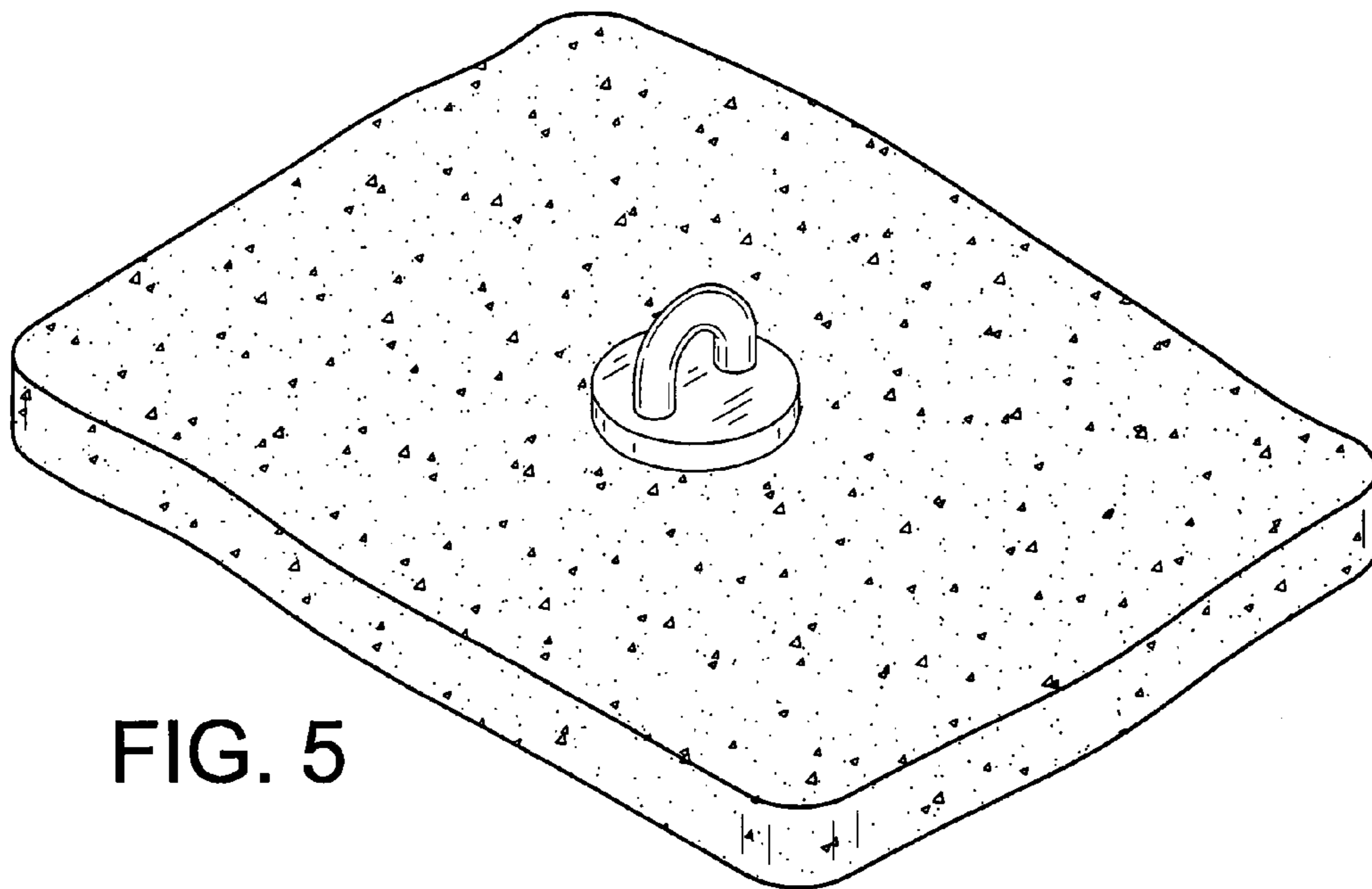


FIG. 5