



US00D596817S

(12) **United States Design Patent**
Glass et al.

(10) **Patent No.:** **US D596,817 S**
(45) **Date of Patent:** **** Jul. 21, 2009**

(54) **PRESSURE WASHER FRAME**

6,935,642 B1 * 8/2005 Craig et al. 280/47.24
D570,777 S * 6/2008 Glass et al. D13/116

(75) Inventors: **Douglas Lloyd Glass**, Greenville, SC
(US); **Chad Eric James**, Tryon, NC
(US)

* cited by examiner

(73) Assignee: **Onihr Manufacturing SRL**, St. James,
West Indies (BB)

Primary Examiner—T. Chase Nelson
Assistant Examiner—Kathleen M Sims
(74) *Attorney, Agent, or Firm*—Alston & Bird LLP

(**) Term: **14 Years**

(57) **CLAIM**

(21) Appl. No.: **29/275,711**

The ornamental design for a pressure washer frame, as shown and described.

(22) Filed: **Jan. 4, 2007**

DESCRIPTION

(51) **LOC (9) Cl.** **15-05**
(52) **U.S. Cl.** **D32/25**
(58) **Field of Classification Search** D32/1,
D32/4, 14–18, 21, 25; 417/360, 364; 239/146,
239/149; D34/12, 24; 15/320–321, 340.1,
15/340.2; 280/47.17, 47.19, 47.24, 47.26,
280/47.34, 47.35, 49.3, 79.6, 472; D15/9;
D13/116

FIG. 1 is a perspective view of a pressure washer frame showing our new design;
FIG. 2 is a front elevational view thereof;
FIG. 3 is a rear elevational view thereof;
FIG. 4 is a right side elevation view thereof;
FIG. 5 is a left side elevation view thereof;
FIG. 6 is a top plan view thereof; and,
FIG. 7 is a bottom plan view thereof.

See application file for complete search history.

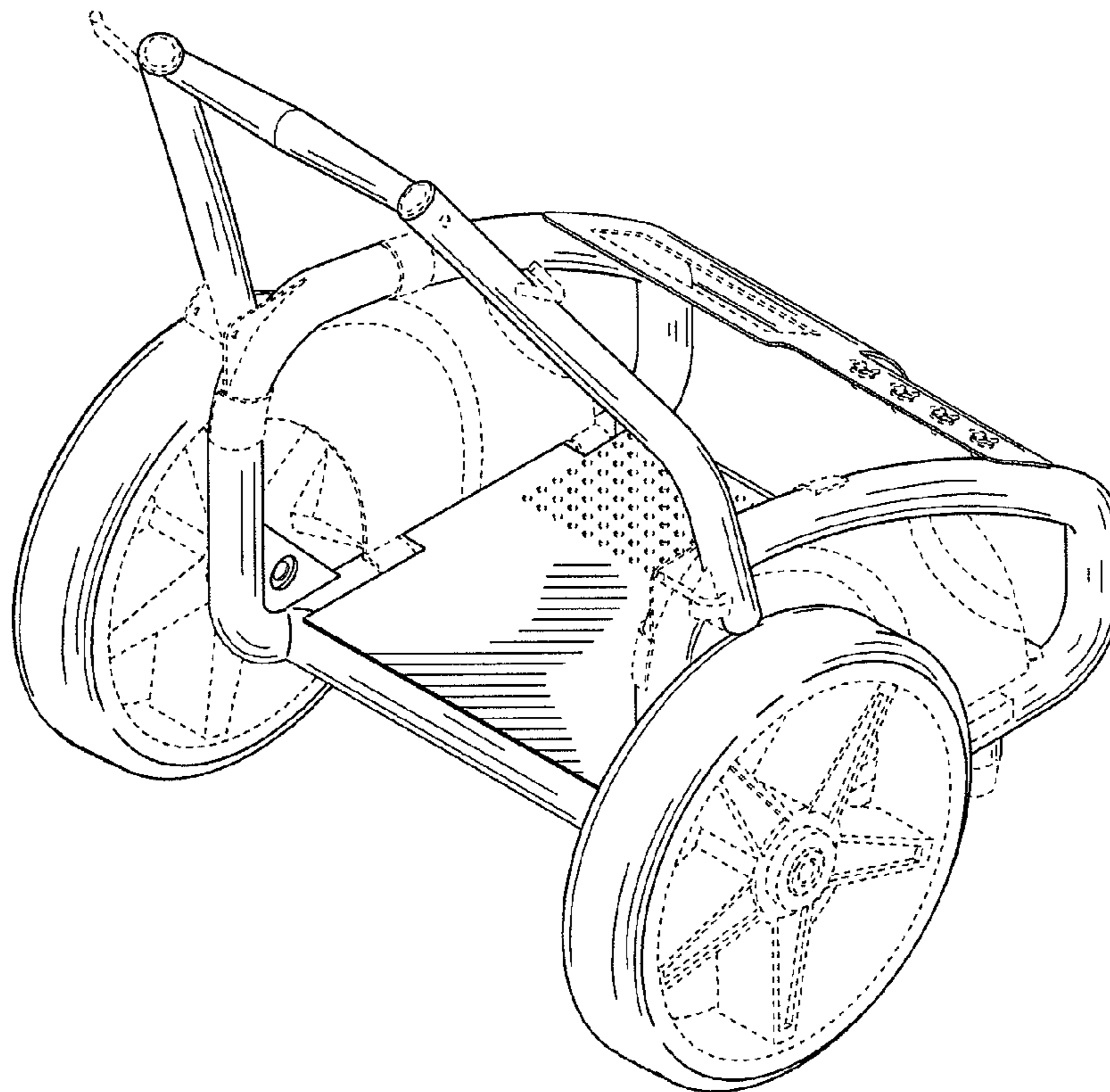
The broken line showing of details in FIGS. 1–7 is included for the purpose of showing environmental portions of the pressure washer frame and forms no part of the claimed design.

(56) **References Cited**

U.S. PATENT DOCUMENTS

4,790,559 A * 12/1988 Edmonds 280/655
D444,279 S * 6/2001 Kristiansen et al. D34/12
D450,061 S * 11/2001 Graber et al. D15/9
6,750,556 B2 * 6/2004 Sodemann et al. 290/1 A

1 Claim, 7 Drawing Sheets



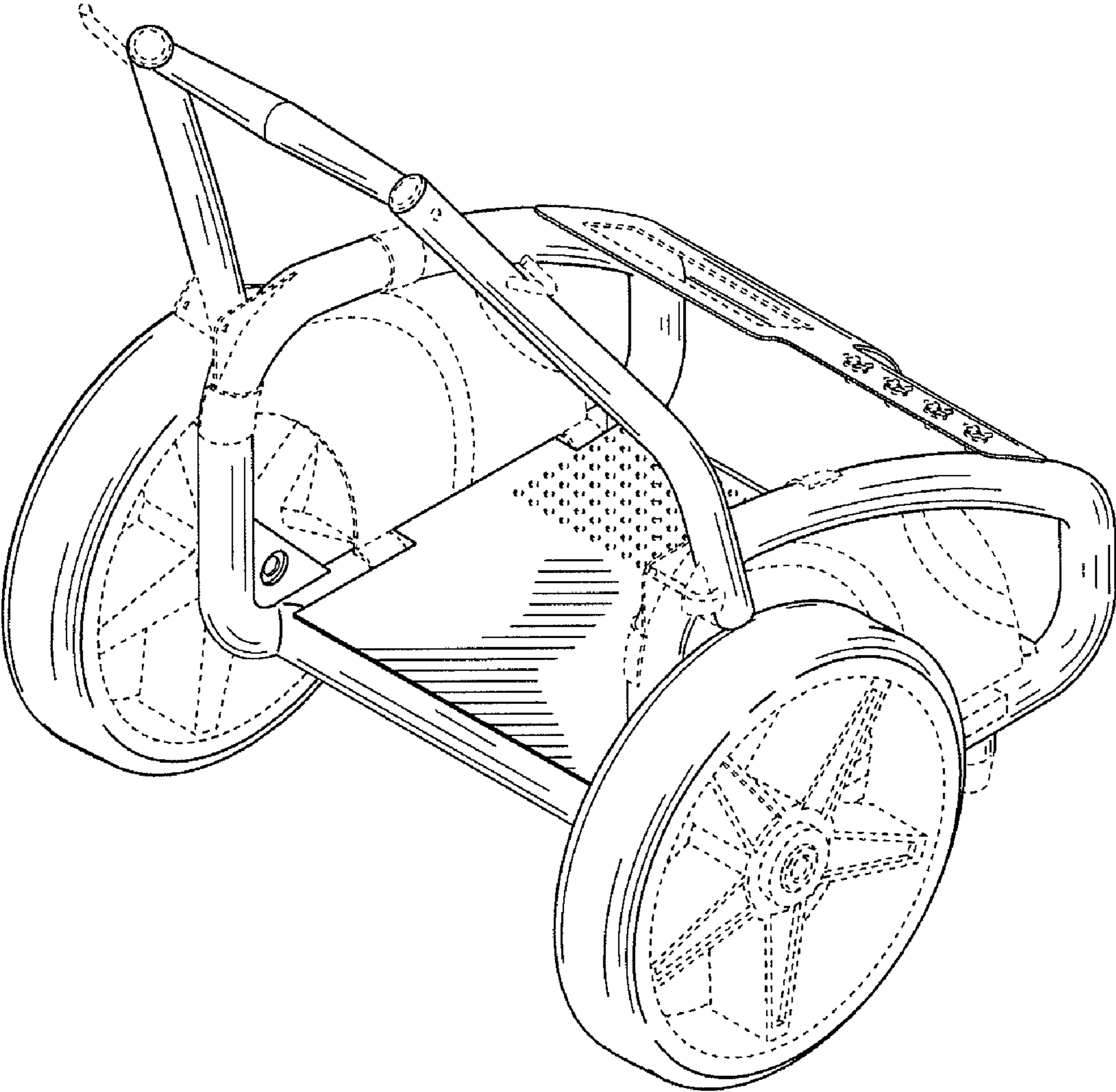


FIG. 1

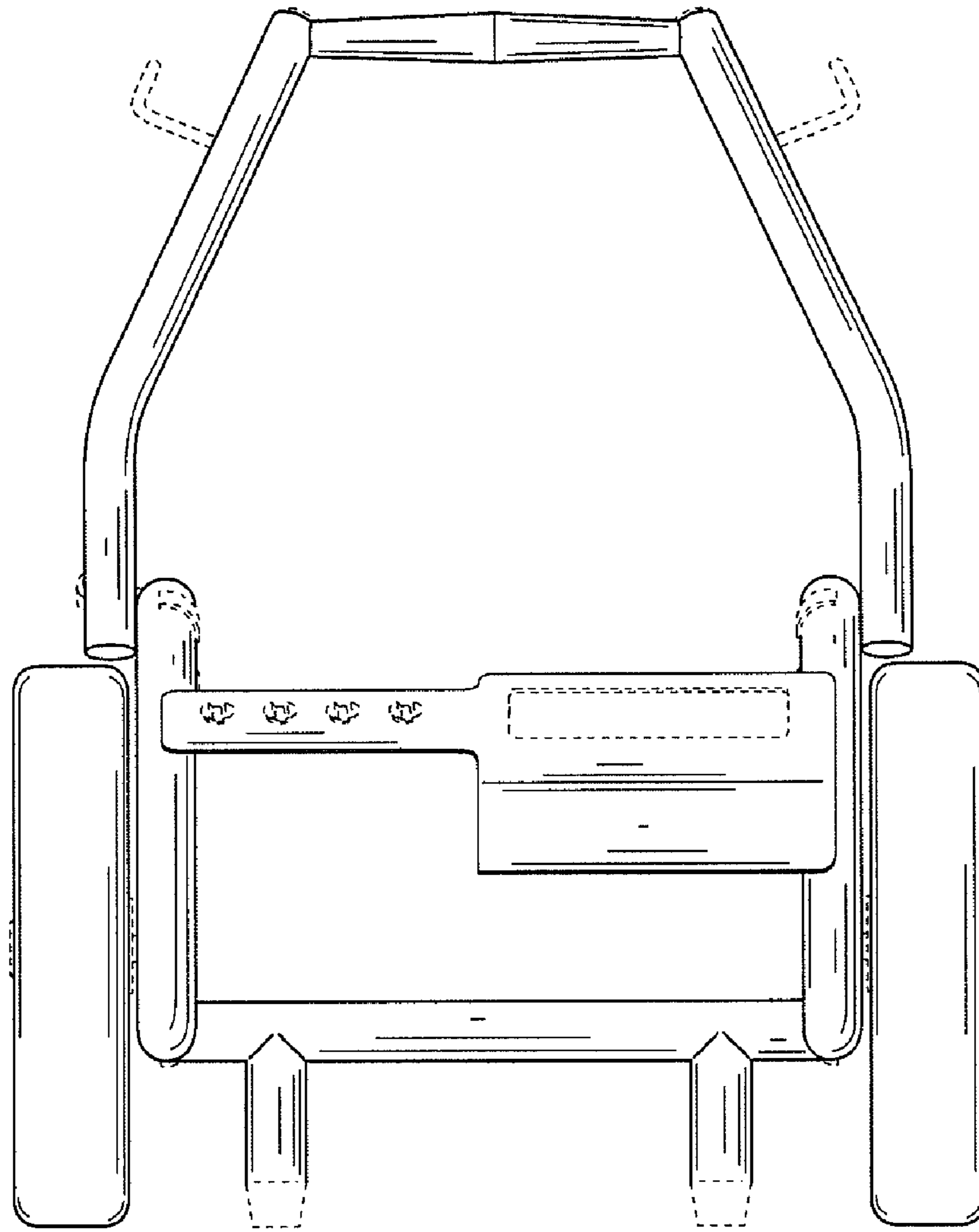


FIG. 2

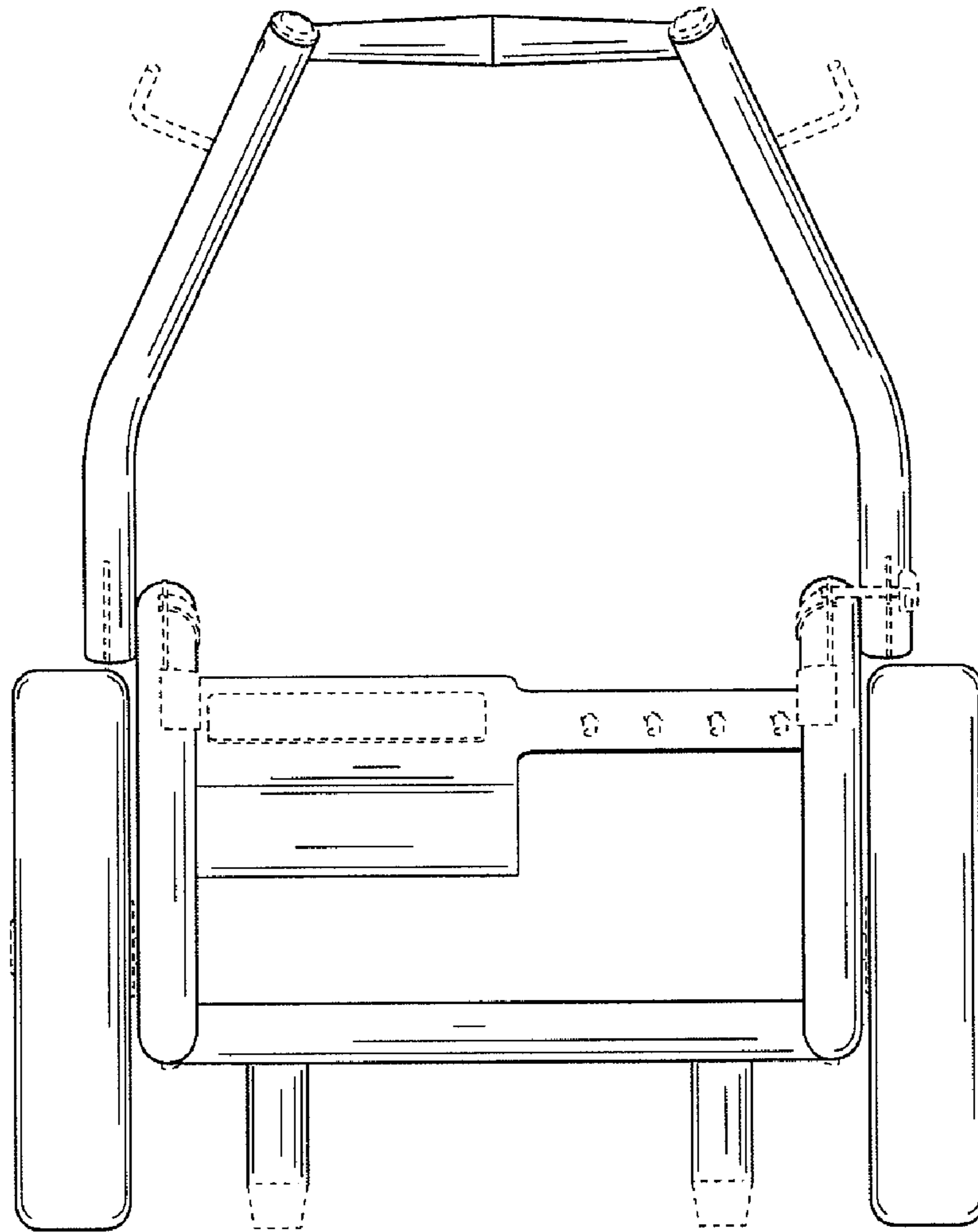


FIG. 3

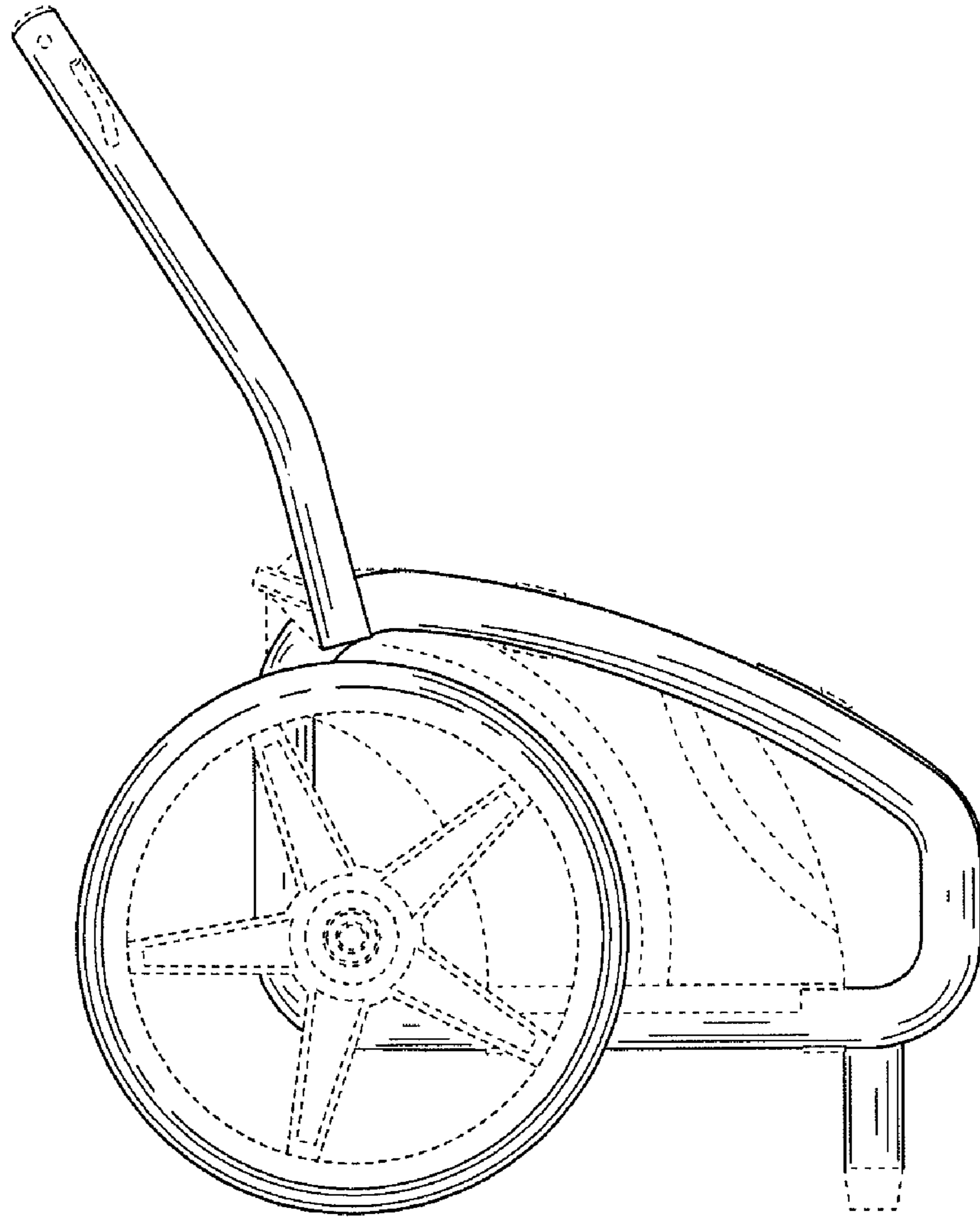


FIG. 4

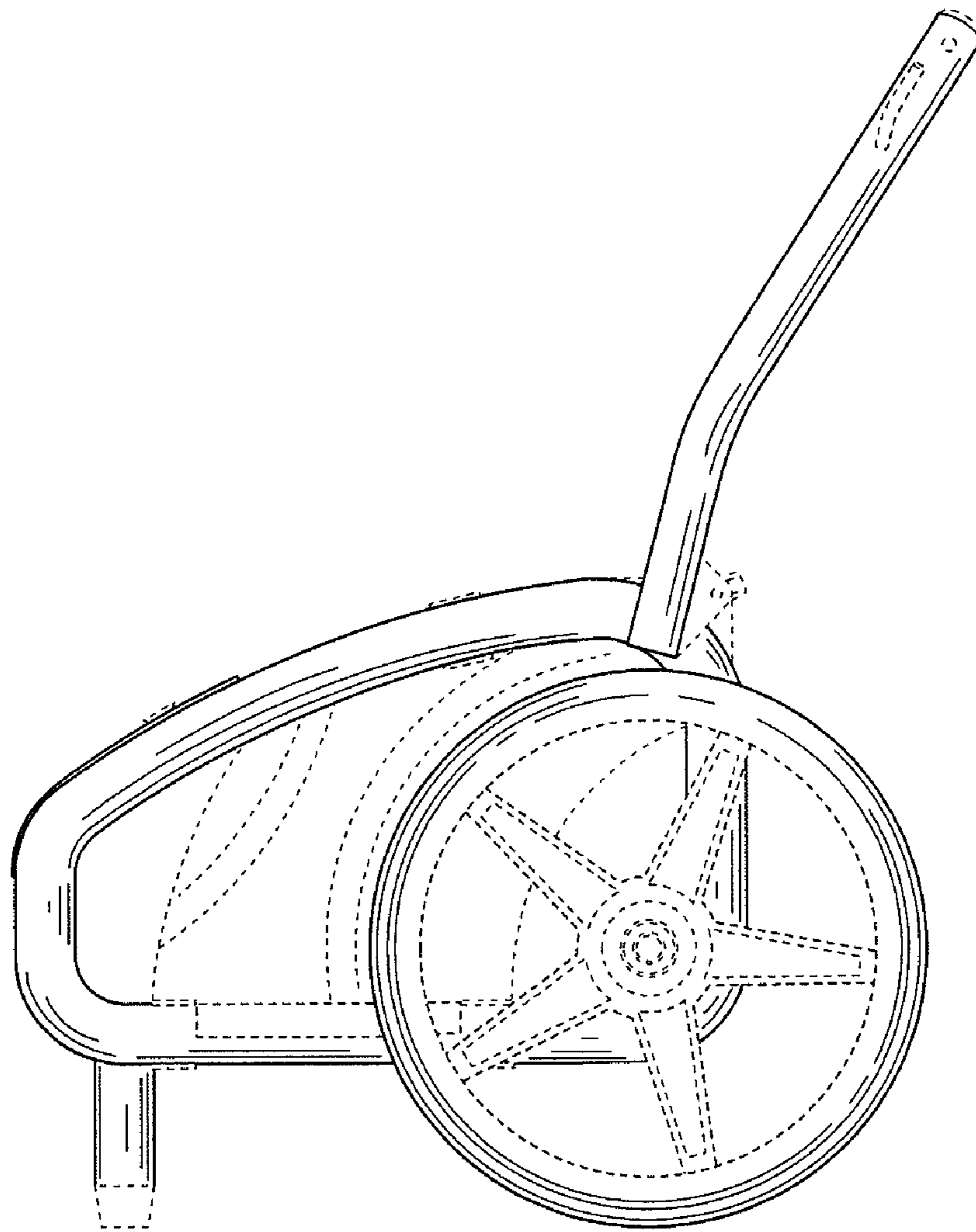


FIG. 5

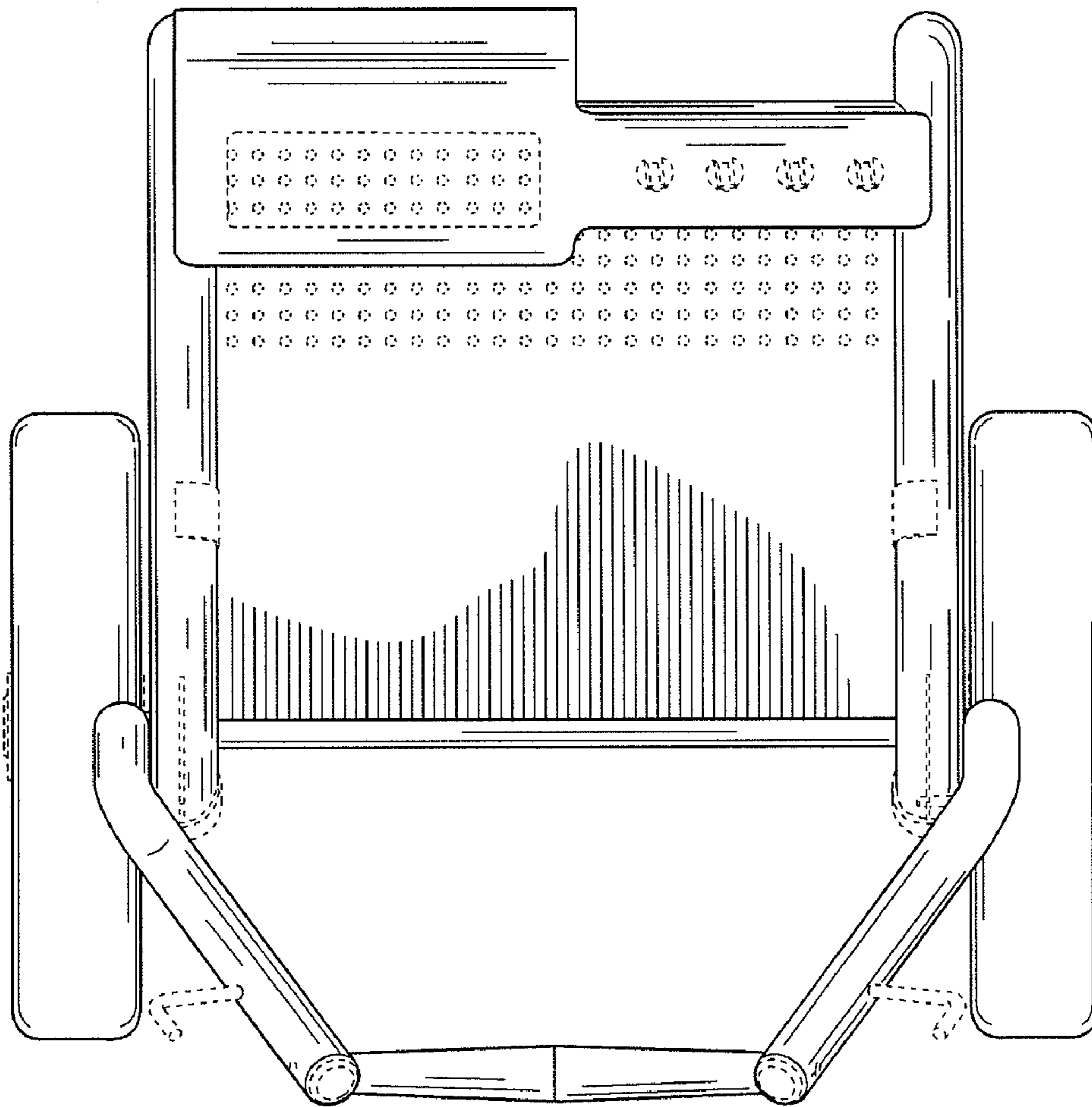


FIG. 6

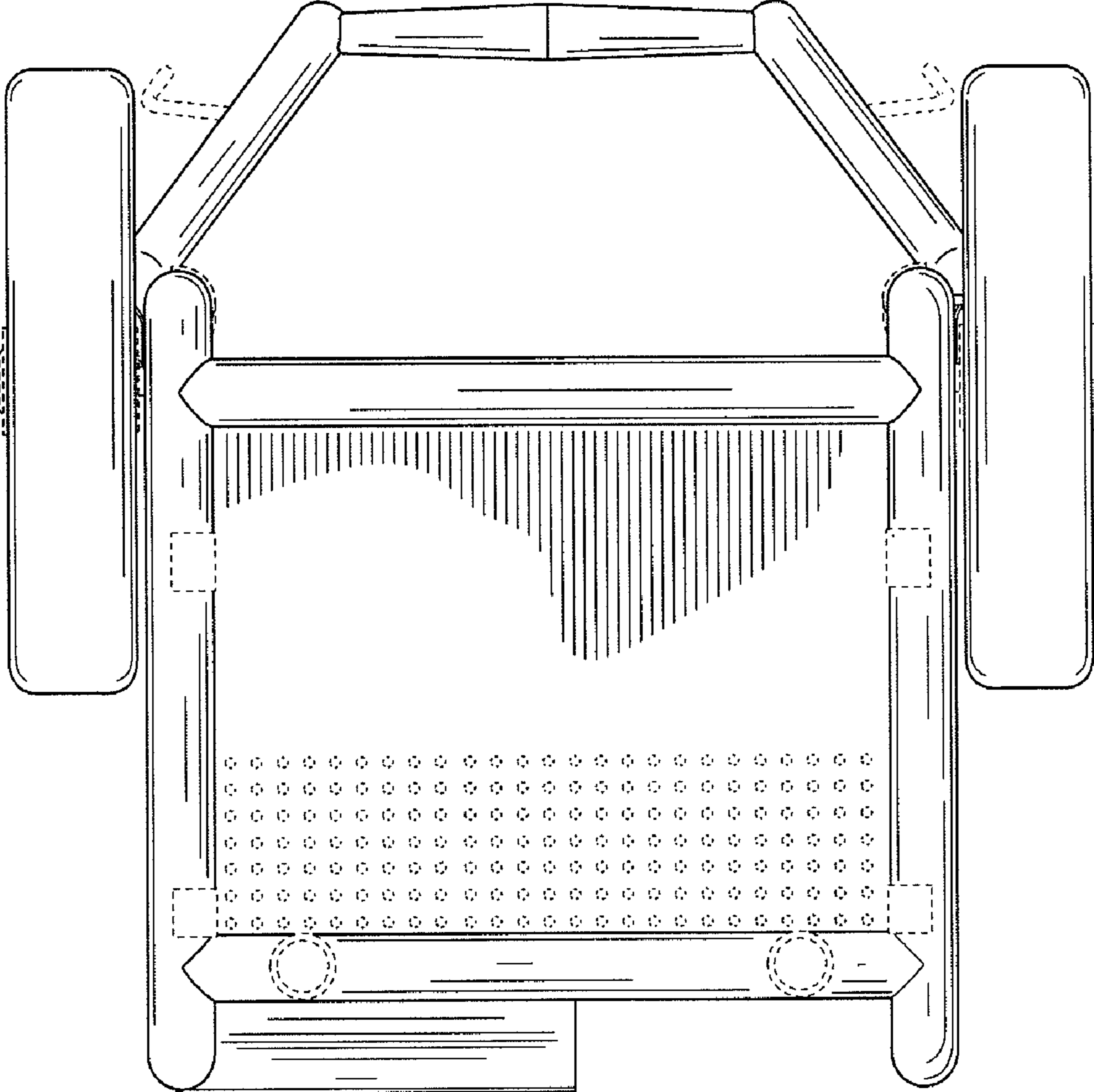


FIG. 7