



US00D596816S

(12) **United States Design Patent**
Leasure et al.

(10) **Patent No.:** **US D596,816 S**
(45) **Date of Patent:** **** Jul. 21, 2009**

(54) **SUPPORT FOR DUST COLLECTOR**

(75) Inventors: **Jeremy D. Leasure**, Jackson, TN (US);
Joe Ghering, Jackson, TN (US); **Robert P. Welsh**, Phoenix, MD (US)

(73) Assignee: **Black & Decker Inc.**, Newark, DE (US)

(**) Term: **14 Years**

(21) Appl. No.: **29/294,721**

(22) Filed: **Jan. 24, 2008**

(51) **LOC (9) Cl.** **15-05**

(52) **U.S. Cl.** **D32/21**

(58) **Field of Classification Search** D32/21-22,
D32/31, 34, 25, 1; 15/347, 350-353, 361,
15/410-411, 335, 366, 143.1, 229.2, 246.2,
15/327.1-327.7, 344, 329; 55/366, 429,
55/315, 356, 372, 471, 482, DIG. 3, 341.1,
55/378

See application file for complete search history.

(56) **References Cited**

U.S. PATENT DOCUMENTS

D289,096	S	*	3/1987	Larsen	D32/21
5,163,985	A	*	11/1992	Chen	55/356
5,169,420	A	*	12/1992	Chen	55/315
D357,094	S	*	4/1995	Lin	D32/1
D357,095	S	*	4/1995	Lin	D32/1
D358,234	S	*	5/1995	Lin	D32/1

6,507,974	B1	*	1/2003	Cheng	15/347
D501,964	S	*	2/2005	Cheng	D32/21
D502,297	S	*	2/2005	Cheng	D32/21
D518,610	S	*	4/2006	Cheng	D32/21
7,044,991	B2		5/2006	Wang		
D533,321	S	*	12/2006	Peng	D32/21
D566,350	S	*	4/2008	Leasure	D32/21
2006/0260282	A1	*	11/2006	Peng	55/356

* cited by examiner

Primary Examiner—Ruth McInroy

(74) *Attorney, Agent, or Firm*—Michael Aronoff; Adan Ayala

(57) **CLAIM**

The ornamental design for a support for dust collector, as shown and described.

DESCRIPTION

FIG. 1 is a perspective view of a support for dust collector showing the new design.

FIG. 2 is a right side view thereof.

FIG. 3 is a left side view thereof.

FIG. 4 is a front view thereof.

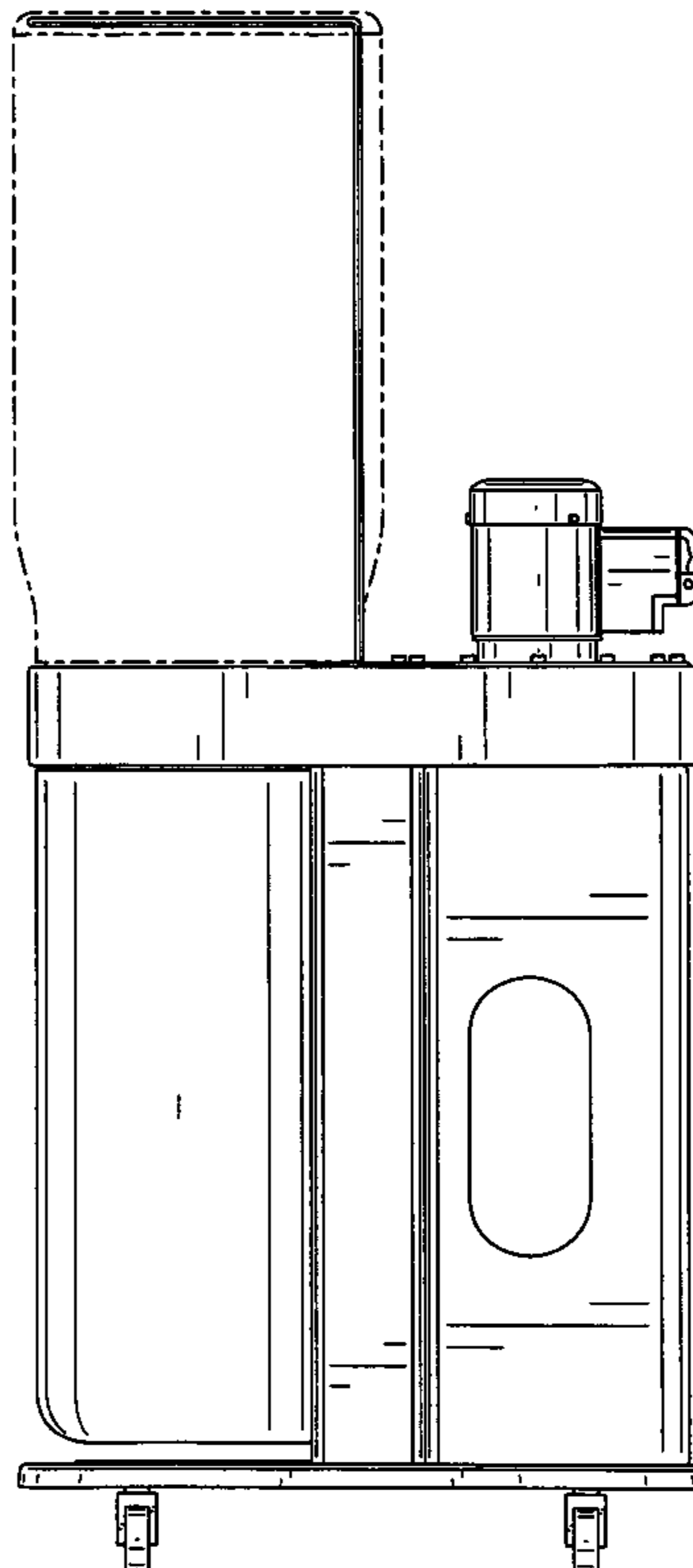
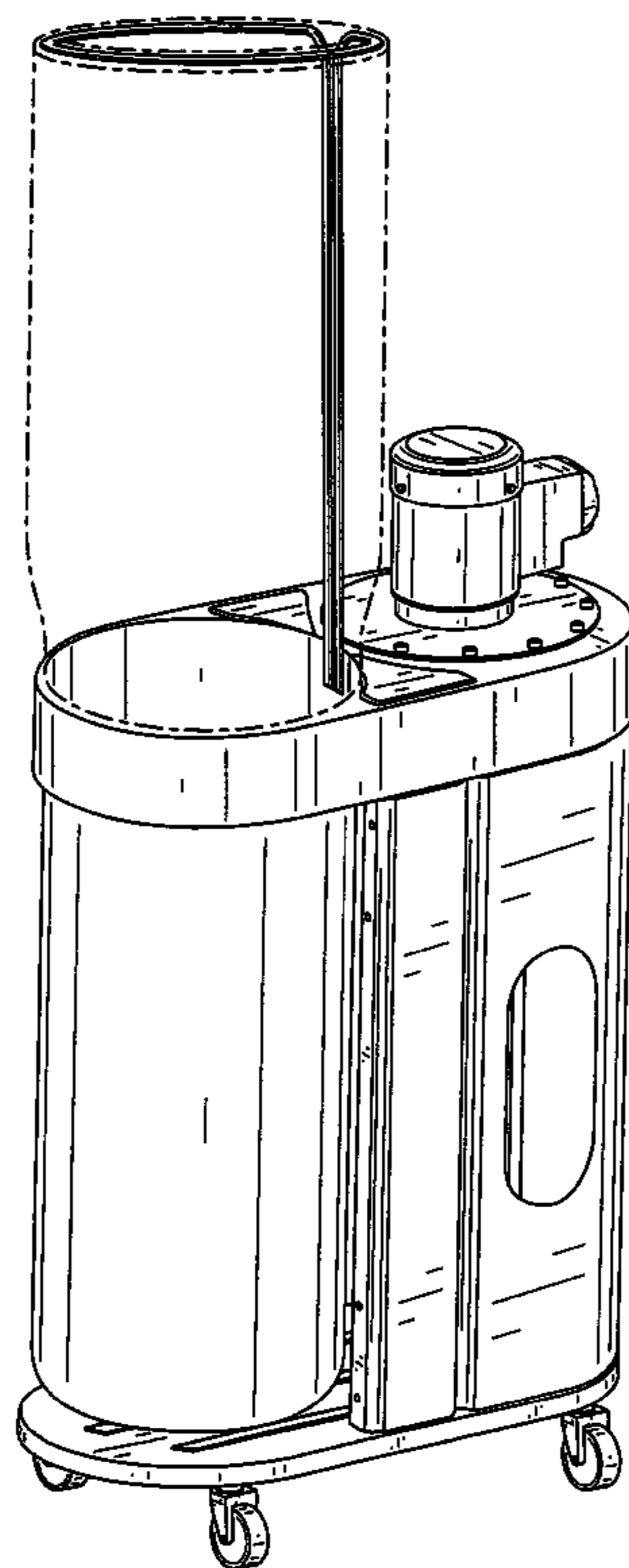
FIG. 5 is a rear view thereof.

FIG. 6 is a top plan view thereof; and,

FIG. 7 is a bottom plan view thereof.

The details shown in broken lines form no part of the claimed design.

1 Claim, 6 Drawing Sheets



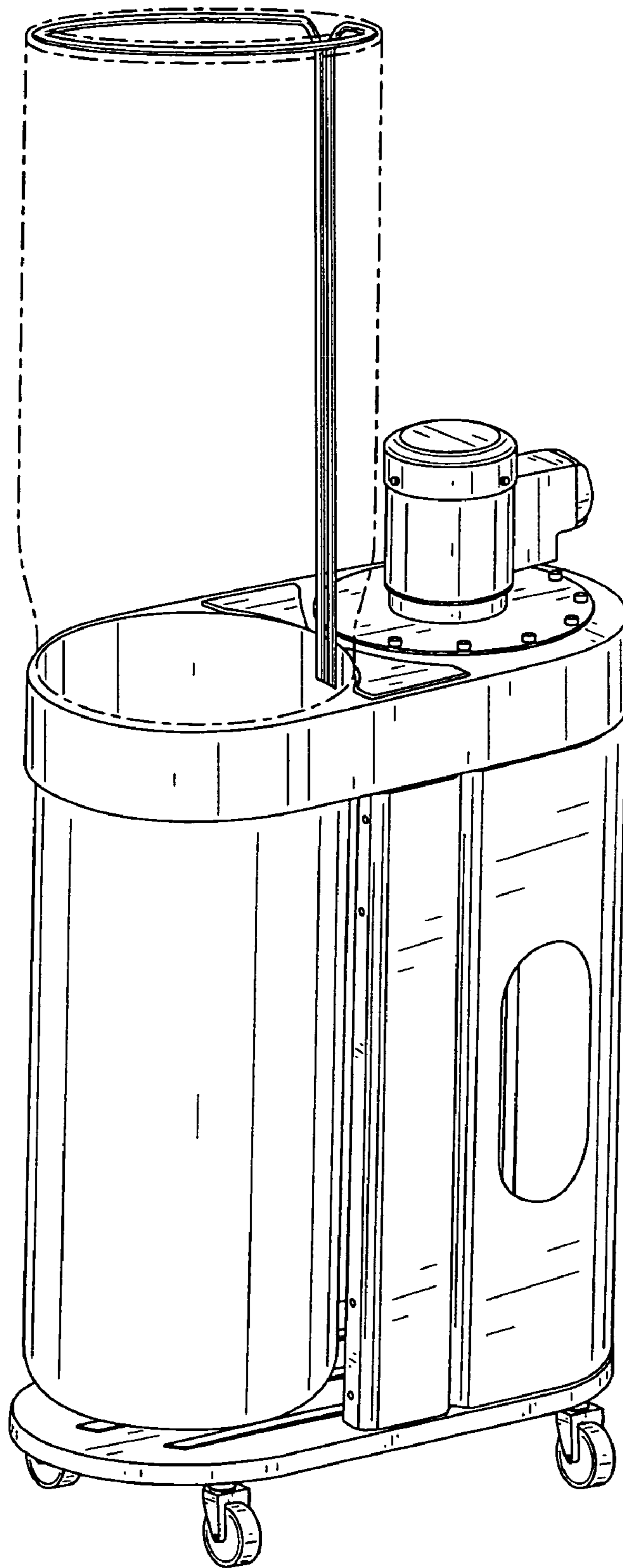


FIG. 1

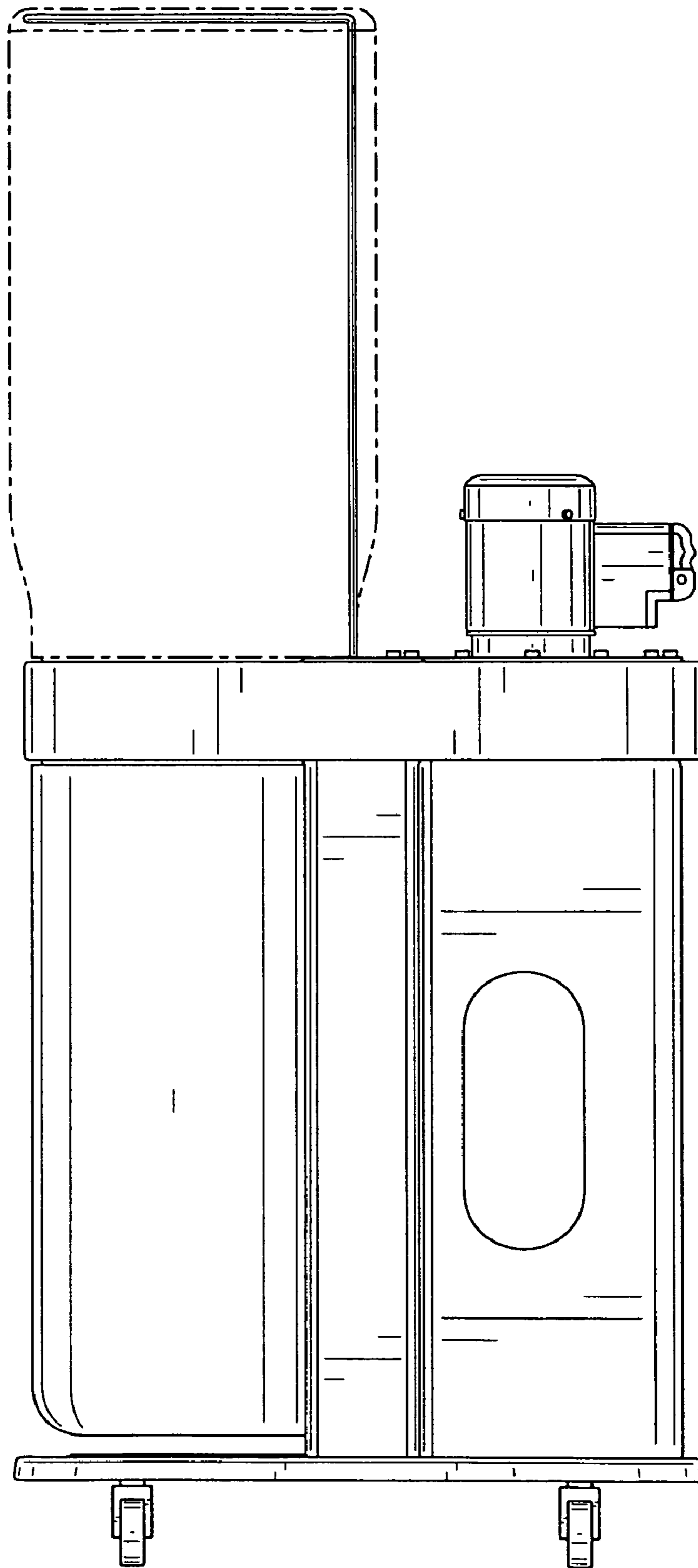


FIG. 2

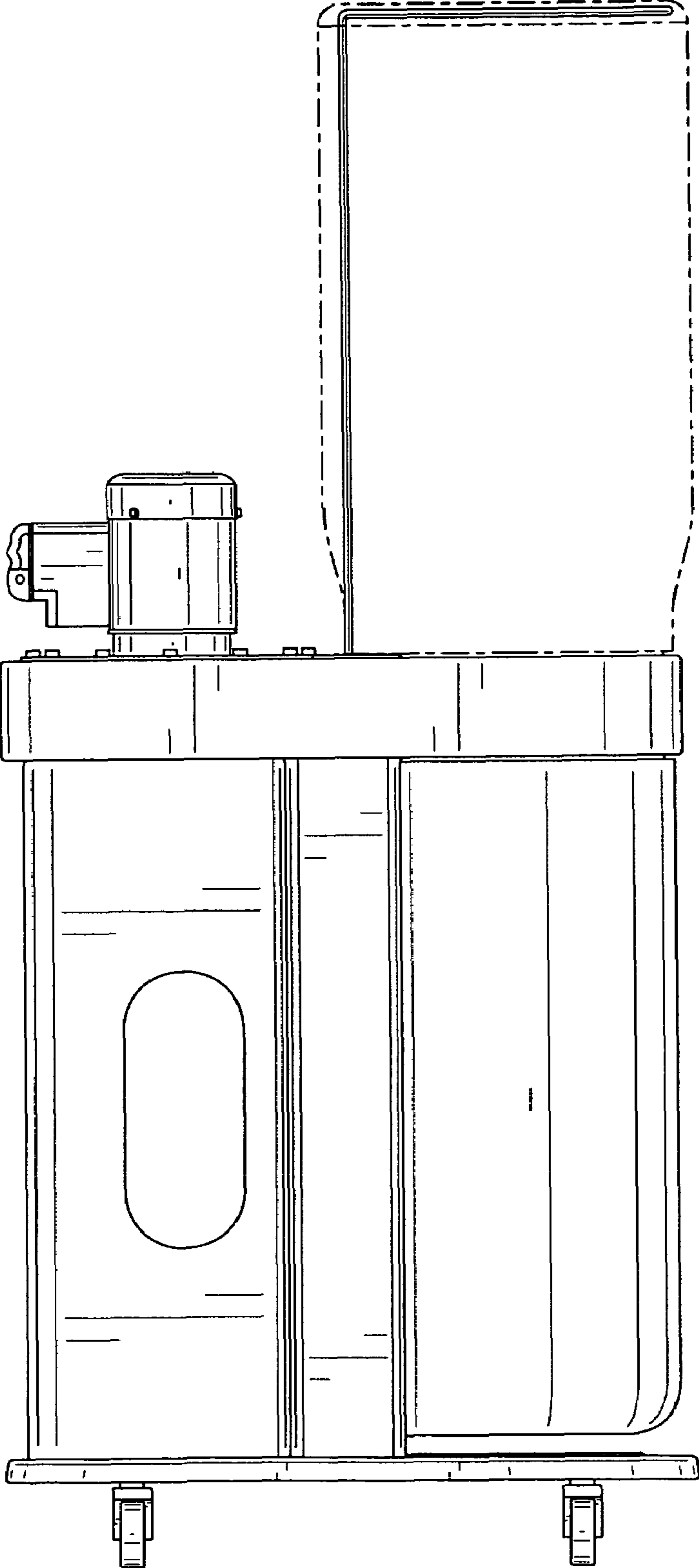


FIG. 3

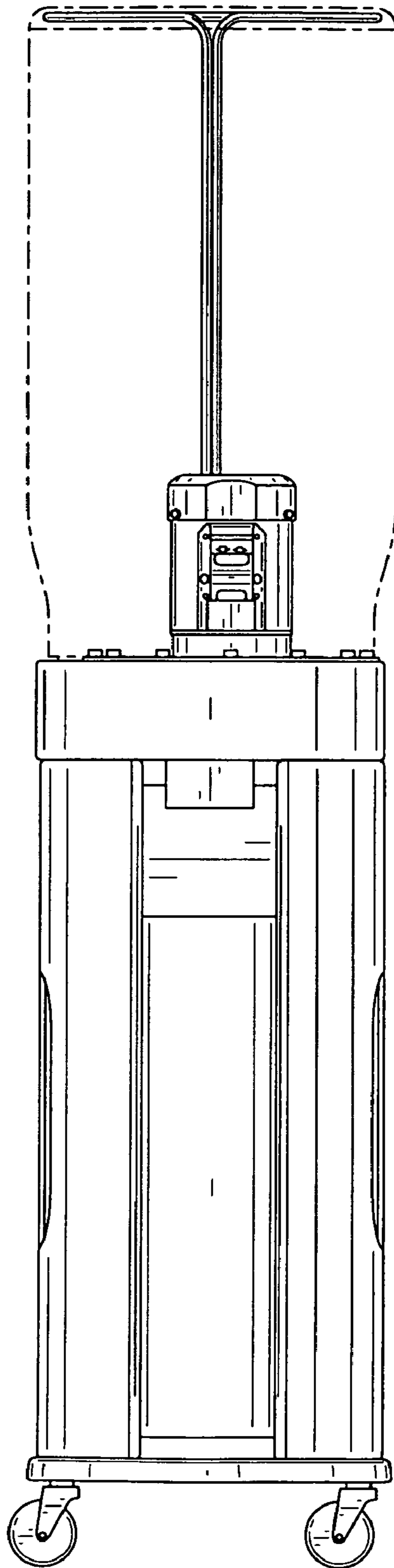


FIG. 4

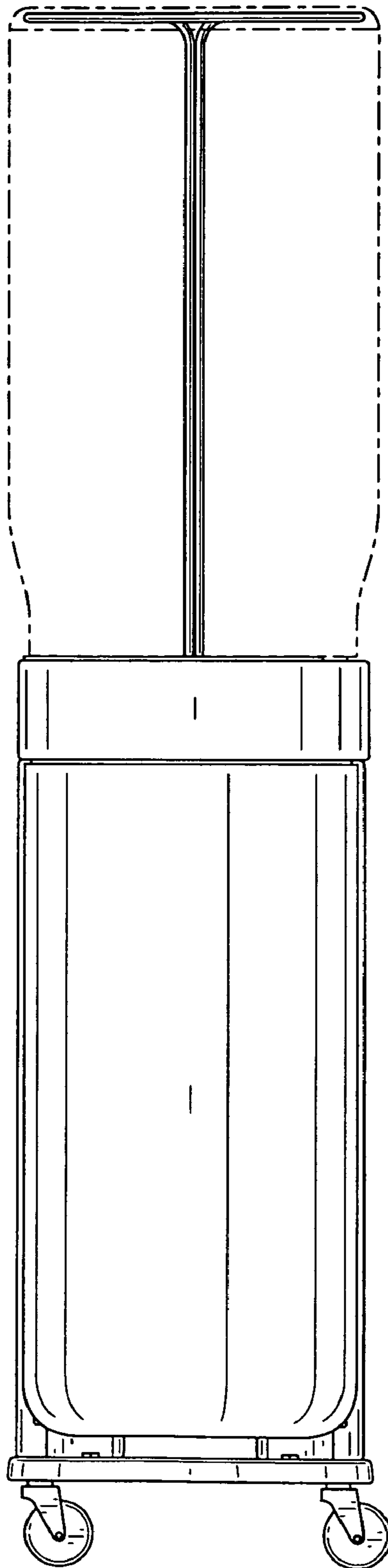


FIG. 5

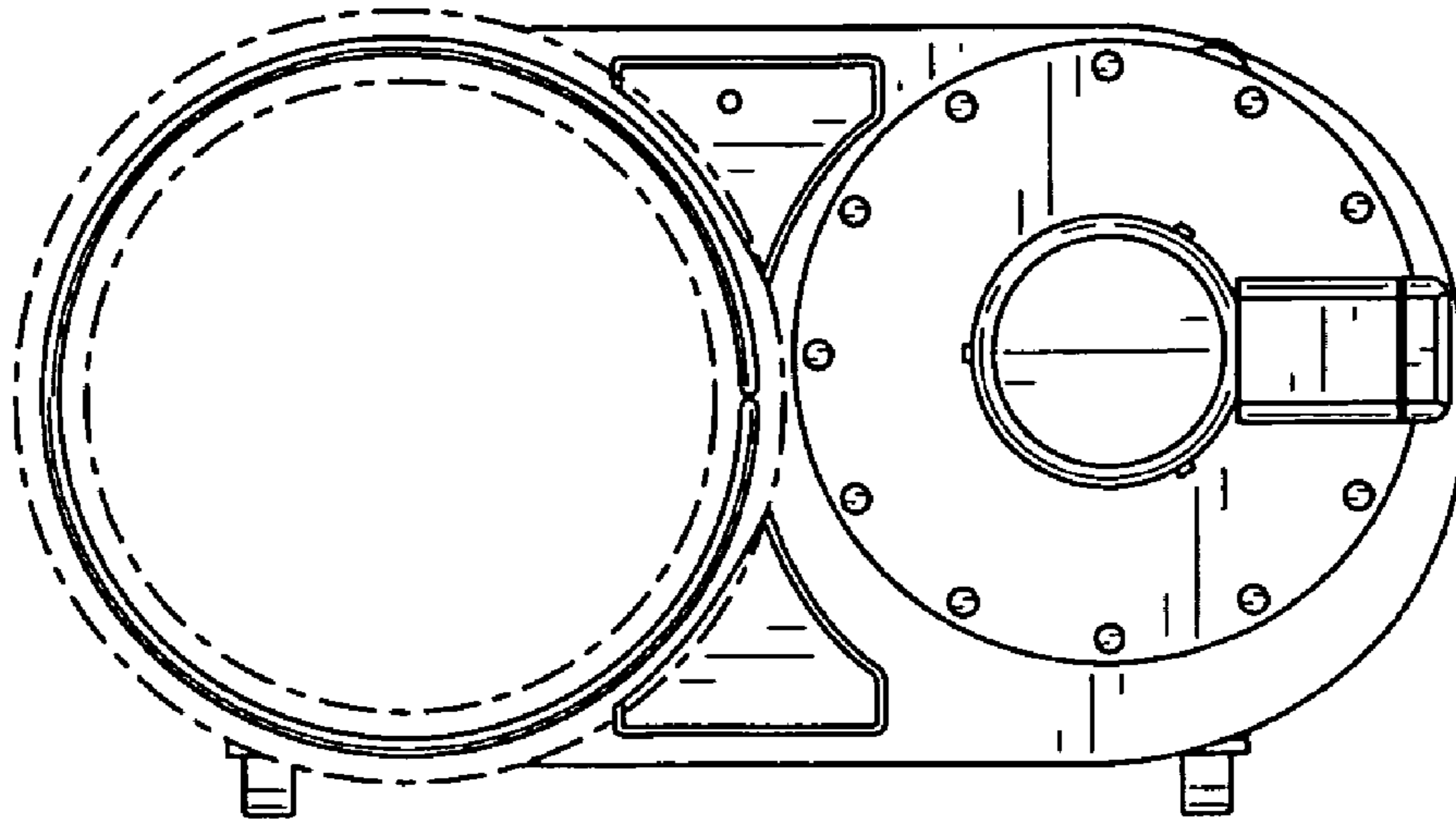


FIG. 6

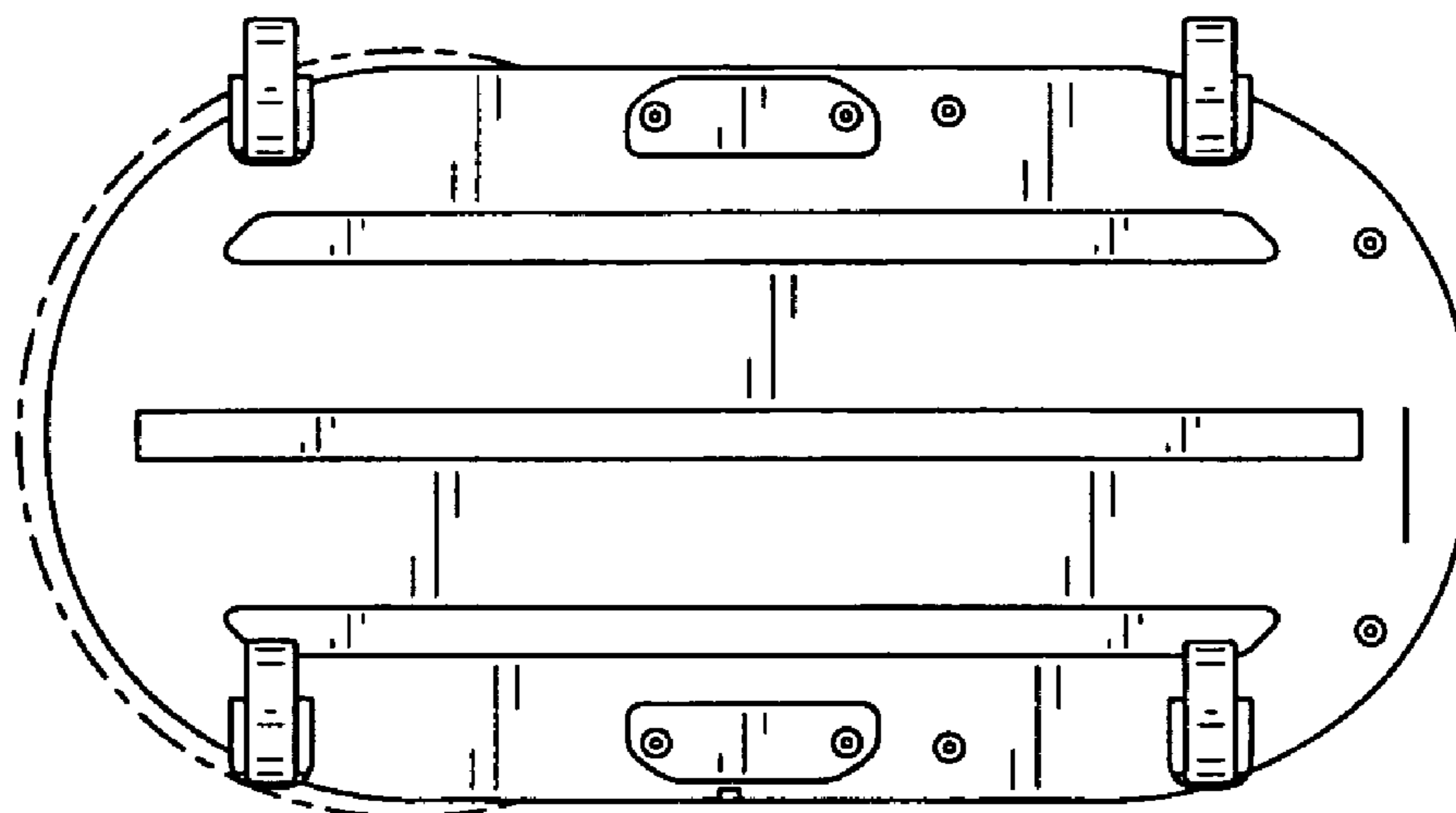


FIG. 7