

US00D596815S

(12) **United States Design Patent**
Baek

(10) **Patent No.:** **US D596,815 S**
(45) **Date of Patent:** **** Jul. 21, 2009**

- (54) **VACUUM CLEANER ROBOT**
- (75) Inventor: **Byung Kook Baek**, Kyungki-do (KR)
- (73) Assignee: **Seiko Epson Corporation**, Suwon (KR)
- (**) Term: **14 Years**
- (21) Appl. No.: **29/294,635**
- (22) Filed: **Jan. 18, 2008**
- (51) **LOC (9) Cl.** **15-05**
- (52) **U.S. Cl.** **D32/21**
- (58) **Field of Classification Search** D32/17,
D32/18, 31, 21; 392/324-325, 403-406,
392/383, 384, 476, 477; 219/259, 242, 254,
219/246; 15/329, 320-321, 327.1, 327.2,
15/327.7, 319, 21.1, 28, 29; 134/18; 701/23;
700/245; 901/1
See application file for complete search history.

D548,903 S *	8/2007	Chun et al.	D32/21
D556,961 S *	12/2007	Swyst et al.	D32/21
7,318,248 B1 *	1/2008	Yan	15/319
2005/0015914 A1 *	1/2005	You et al.	15/319
2005/0076466 A1 *	4/2005	Yan	15/319
2006/0196003 A1 *	9/2006	Song et al.	15/319
2008/0047092 A1 *	2/2008	Schnittman et al.	15/319
2008/0134457 A1 *	6/2008	Morse et al.	15/319

* cited by examiner

Primary Examiner—Ruth McInroy
(74) *Attorney, Agent, or Firm*—Ladas and Parry LLP

(57) **CLAIM**

I claim the ornamental design for a vacuum cleaner robot, as shown and described.

DESCRIPTION

FIG. 1. is a top, front and right-side perspective view of a vacuum robot showing my new design;
 FIG. 2 is a front elevational view thereof;
 FIG. 3. is a rear elevational view thereof;
 FIG. 4. is a left elevational view thereof;
 FIG. 5 is a right elevational view thereof; and,
 FIG. 6 is a top plan view thereof.

1 Claim, 3 Drawing Sheets

(56) **References Cited**

U.S. PATENT DOCUMENTS

D375,592 S *	11/1996	Ljunggren	D32/21
D524,495 S *	7/2006	Ljunggren	D32/21
D526,753 S *	8/2006	Tani et al.	D32/21
7,246,405 B2 *	7/2007	Yan	15/340.1
D548,902 S *	8/2007	Chun et al.	D32/21

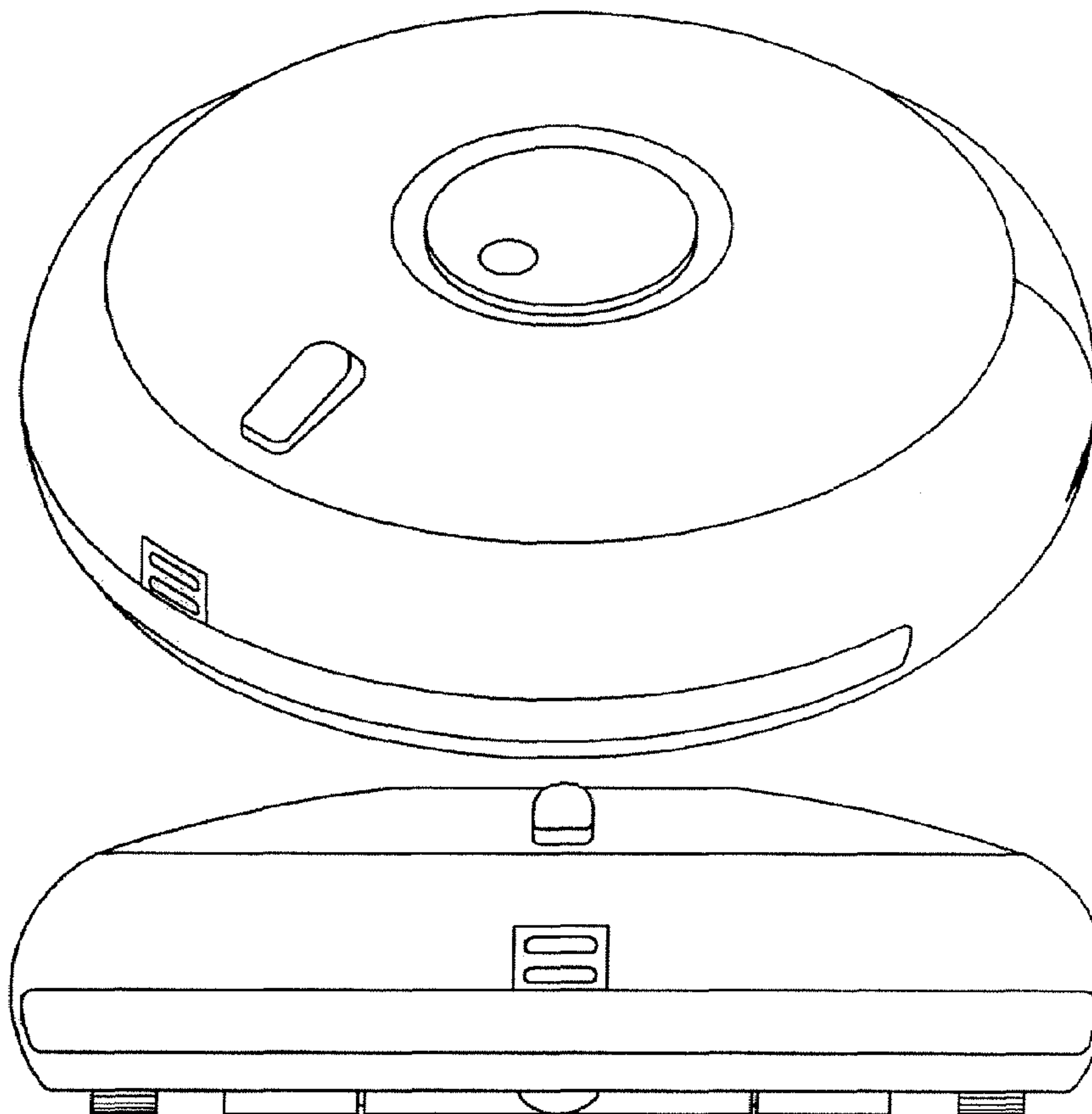


FIG. 1

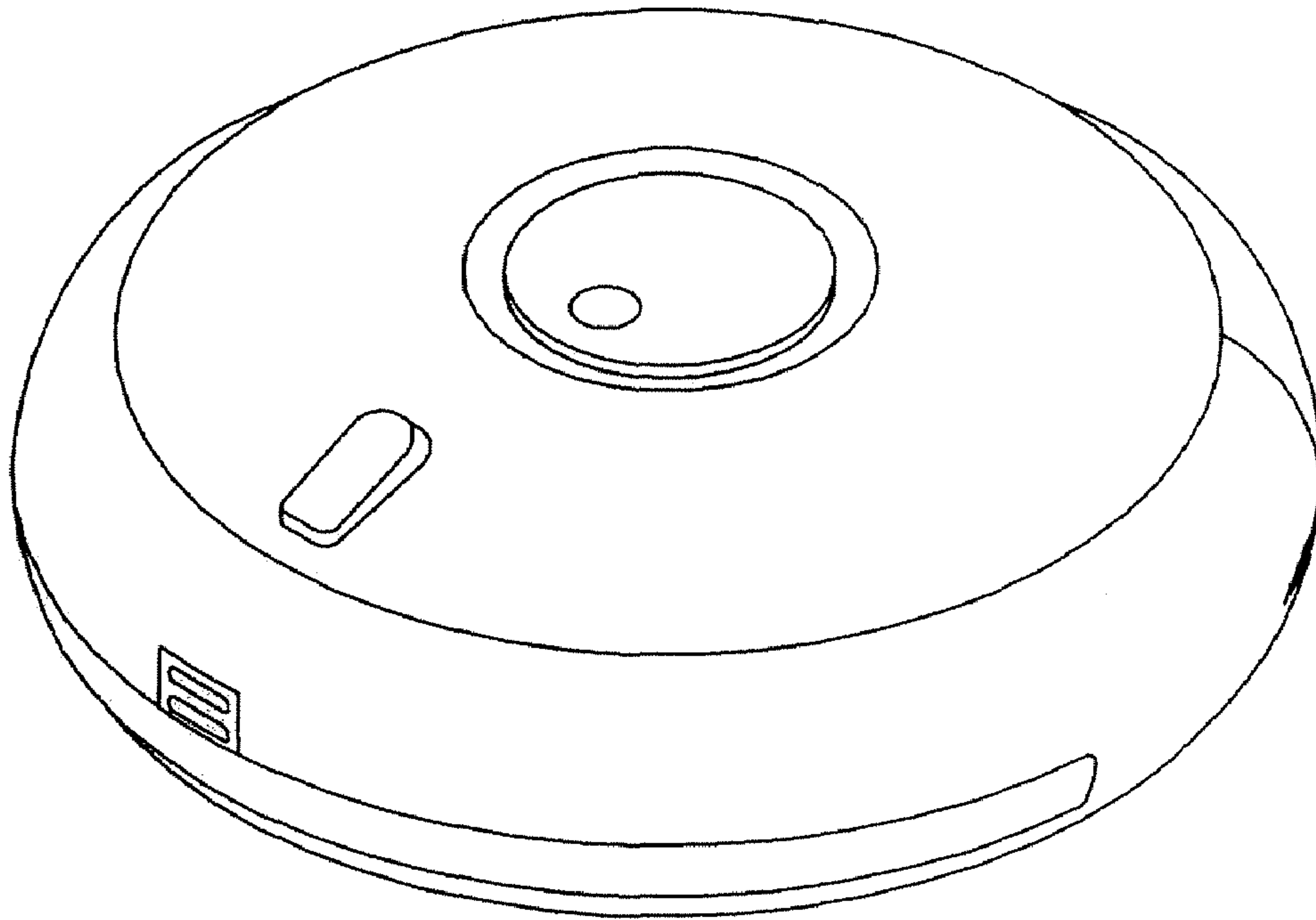


FIG. 2

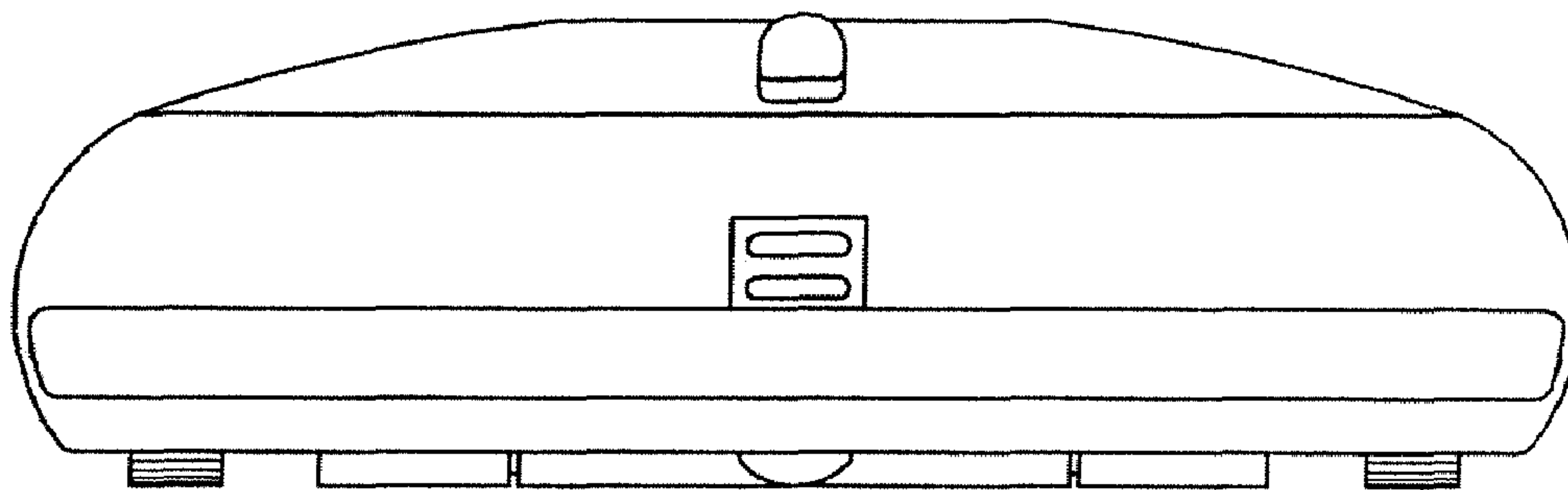


FIG. 3

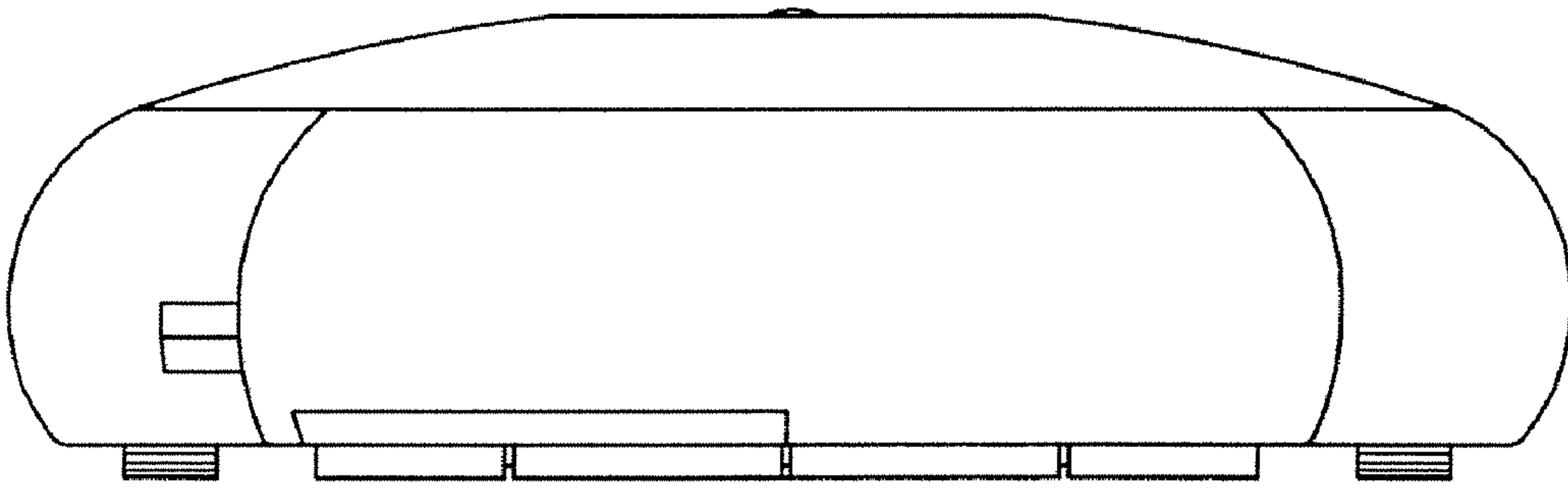


FIG. 4

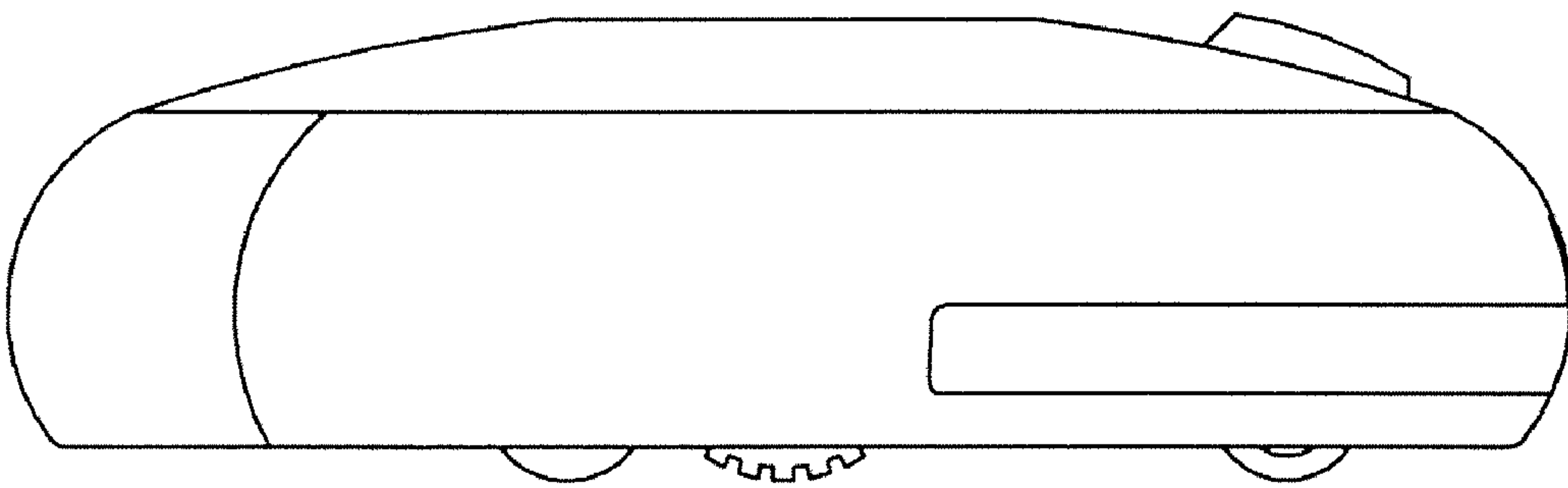


FIG. 5

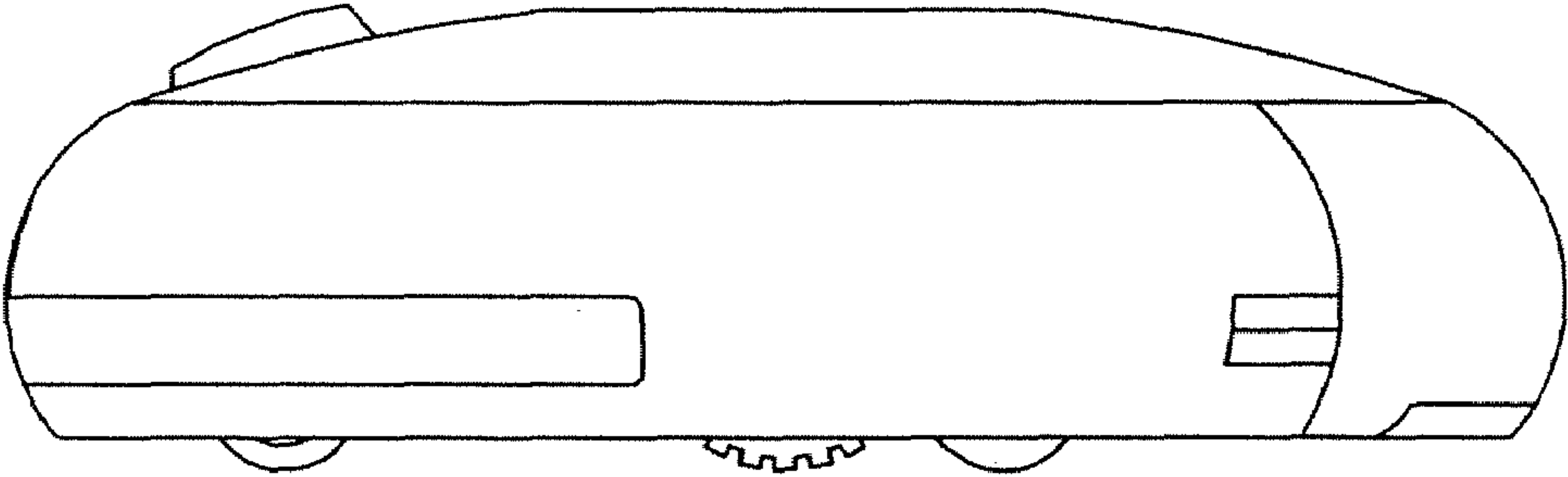
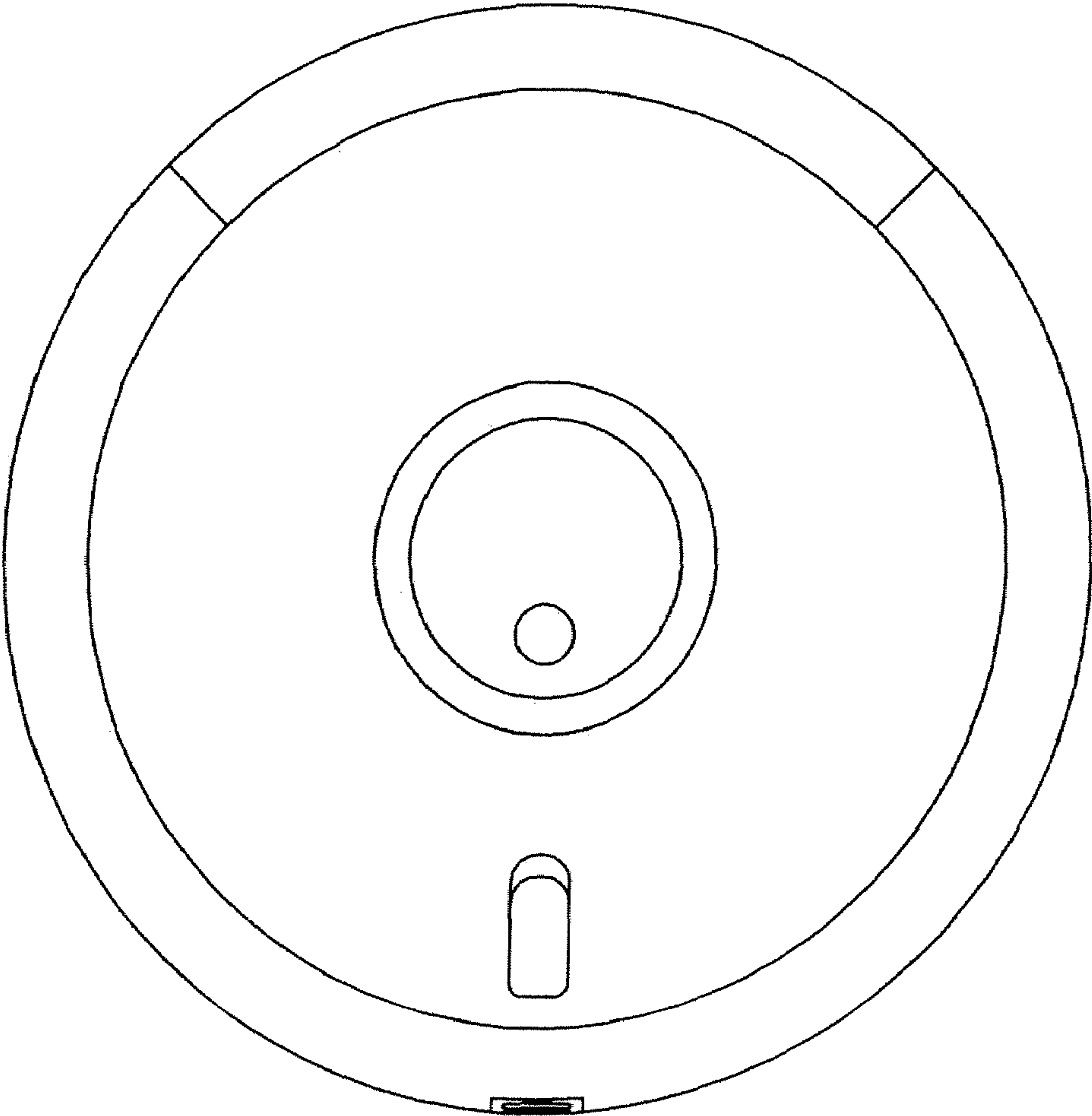


FIG. 6



UNITED STATES PATENT AND TRADEMARK OFFICE
CERTIFICATE OF CORRECTION

PATENT NO. : Des. 596,815 S
APPLICATION NO. : 29/294635
DATED : July 21, 2009
INVENTOR(S) : Byung Kook Back

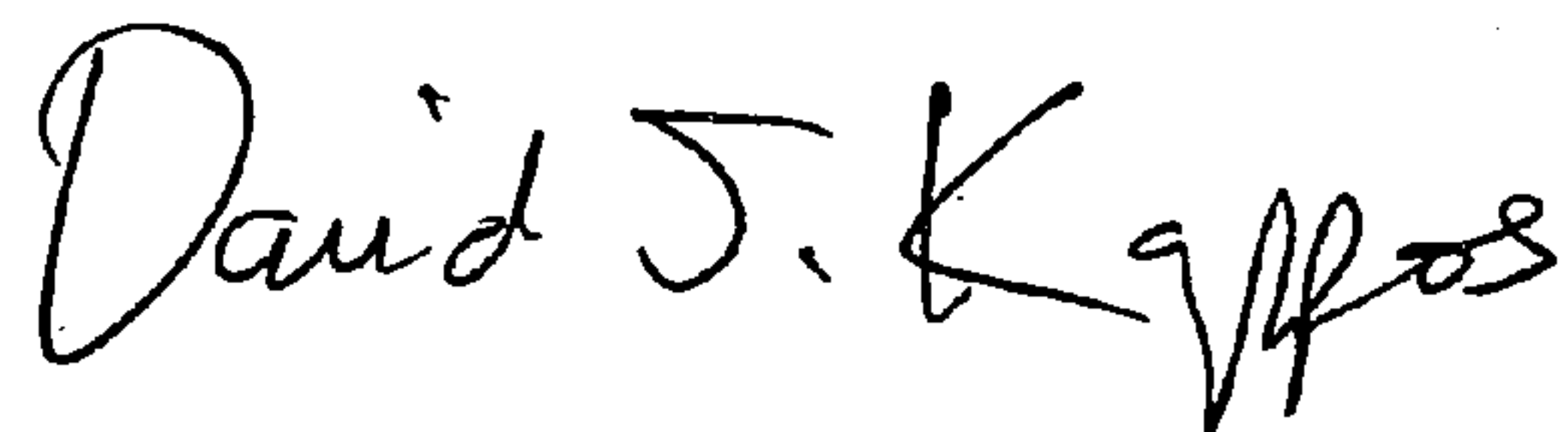
Page 1 of 1

It is certified that error appears in the above-identified patent and that said Letters Patent is hereby corrected as shown below:

Line (73), Assignee's name: "Seiko Epson Corporation" should read
-- Samsung Electronics Co., Ltd. --

Signed and Sealed this

Twenty-third Day of February, 2010



David J. Kappos
Director of the United States Patent and Trademark Office