



US00D596814S

(12) **United States Design Patent**  
**Macleod et al.**

(10) **Patent No.:** **US D596,814 S**  
(45) **Date of Patent:** **\*\* Jul. 21, 2009**

(54) **CANISTER VACUUM CLEANER**

(75) Inventors: **Euan Skinner Macleod**, Hong Kong (HK); **Vittorio Buschi**, Erba (IT)

(73) Assignee: **Hoover Limited**, Merthy Tyfil, Mid Glamorgan (GB)

(\*\*) Term: **14 Years**

(21) Appl. No.: **29/250,114**

(22) Filed: **Nov. 2, 2006**

(30) **Foreign Application Priority Data**

May 2, 2006 (EP) ..... 000524376

(51) **LOC (9) Cl.** ..... **15-05**

(52) **U.S. Cl.** ..... **D32/21**

(58) **Field of Classification Search** ..... D32/21,  
D32/23-24, 31, 15-16; D23/225; 15/320-321,  
15/353, 323, 327.1-327.7, 329, 339, 412,  
15/340.2, 344, 347; 55/DIG. 2  
See application file for complete search history.

(56) **References Cited**

**U.S. PATENT DOCUMENTS**

D325,274 S \* 4/1992 Ikeda ..... D32/21

D398,093 S \* 9/1998 Fujima ..... D32/21  
D503,250 S \* 3/2005 Choi ..... D32/21  
D539,996 S \* 4/2007 Owens ..... D32/21  
D544,660 S \* 6/2007 Burnham et al. .... D32/21

\* cited by examiner

*Primary Examiner*—Ruth McInroy

(74) *Attorney, Agent, or Firm*—Gordon & Jacobson, PC

(57) **CLAIM**

The ornamental design for a canister vacuum cleaner, as shown and described.

**DESCRIPTION**

FIG. 1 is a left side view;

FIG. 2 is a right side view;

FIG. 3 is a front view;

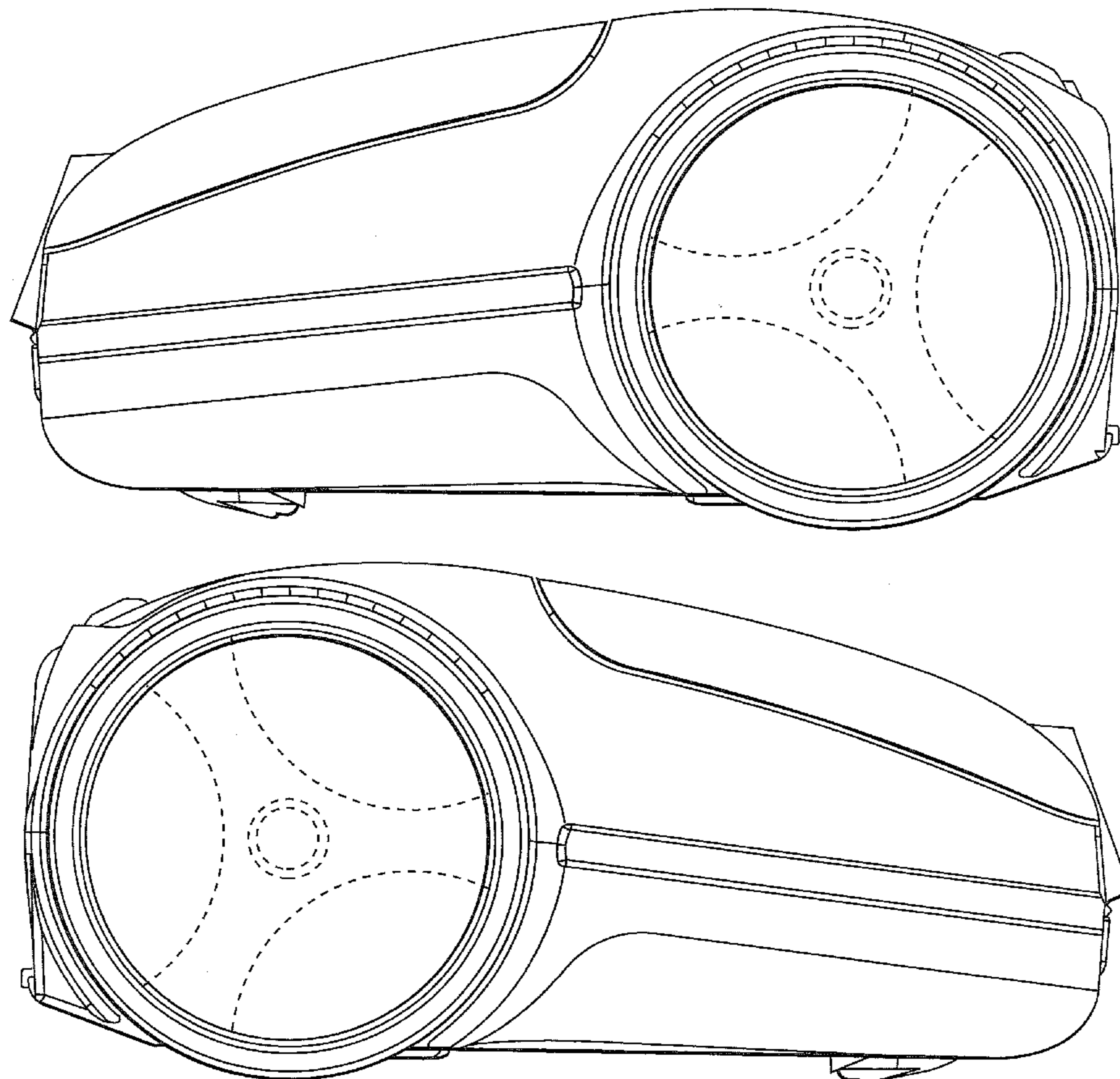
FIG. 4 is a rear view;

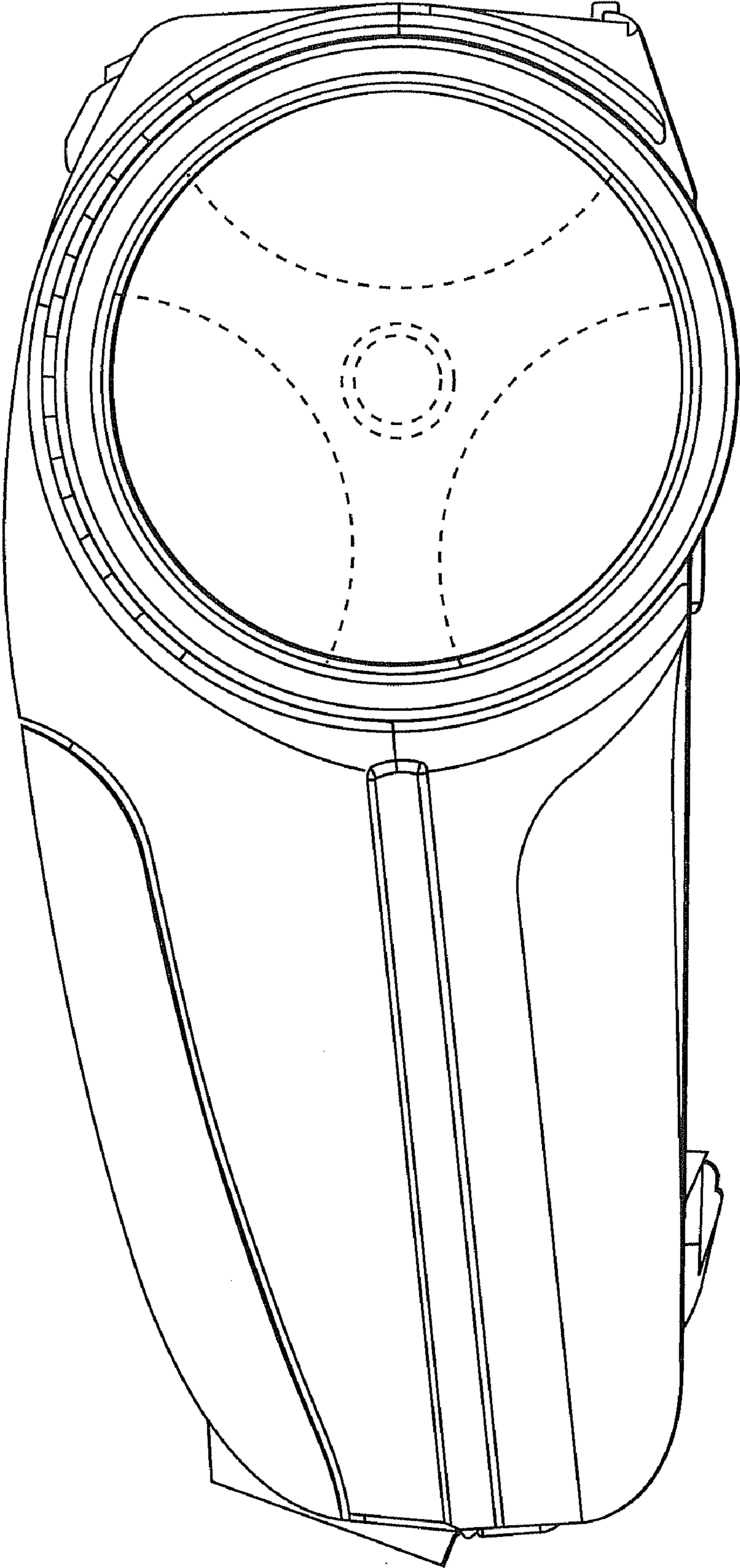
FIG. 5 is a top view; and,

FIG. 6 is a bottom view.

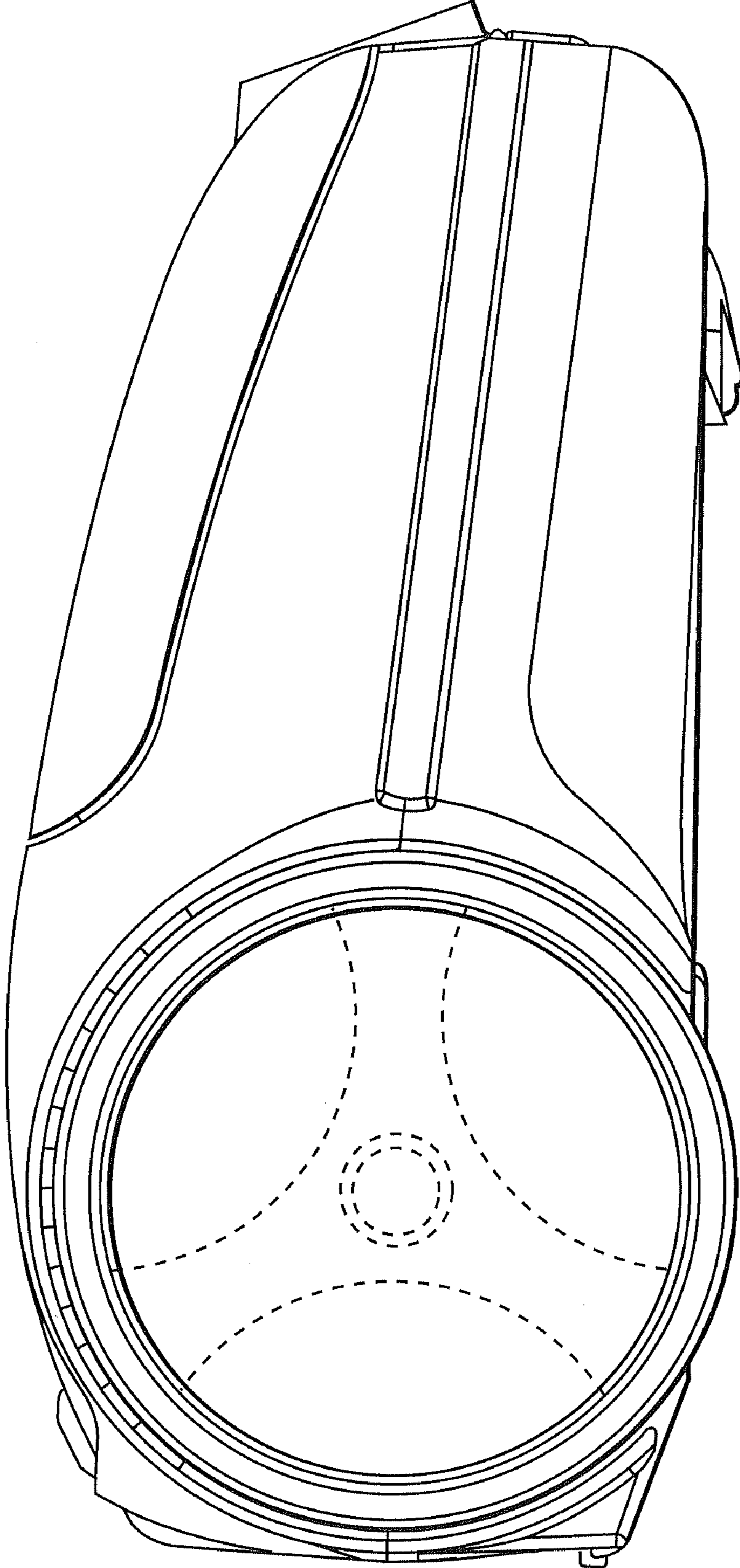
The details shown in broken lines form no part of the claimed design.

**1 Claim, 6 Drawing Sheets**

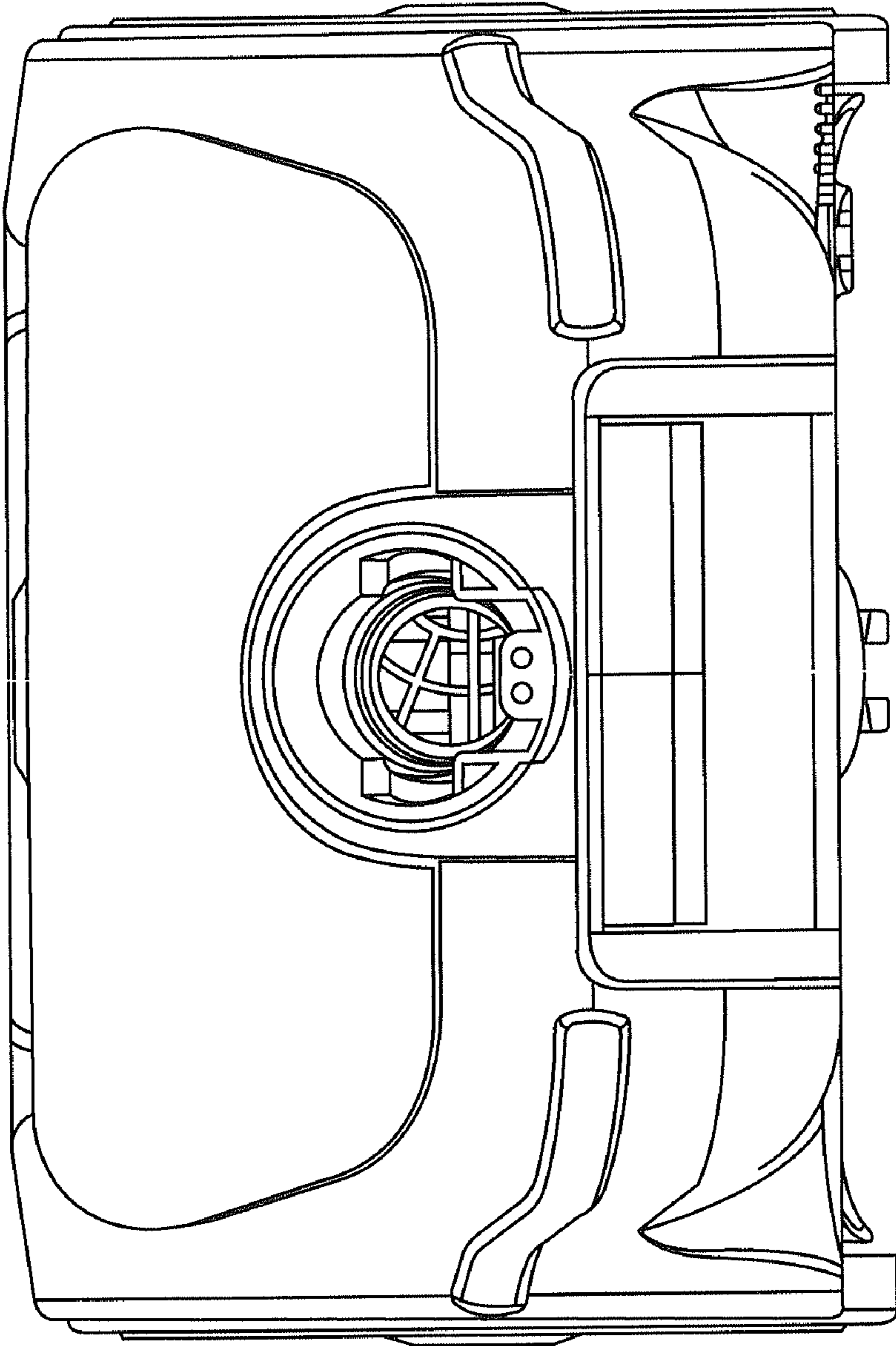




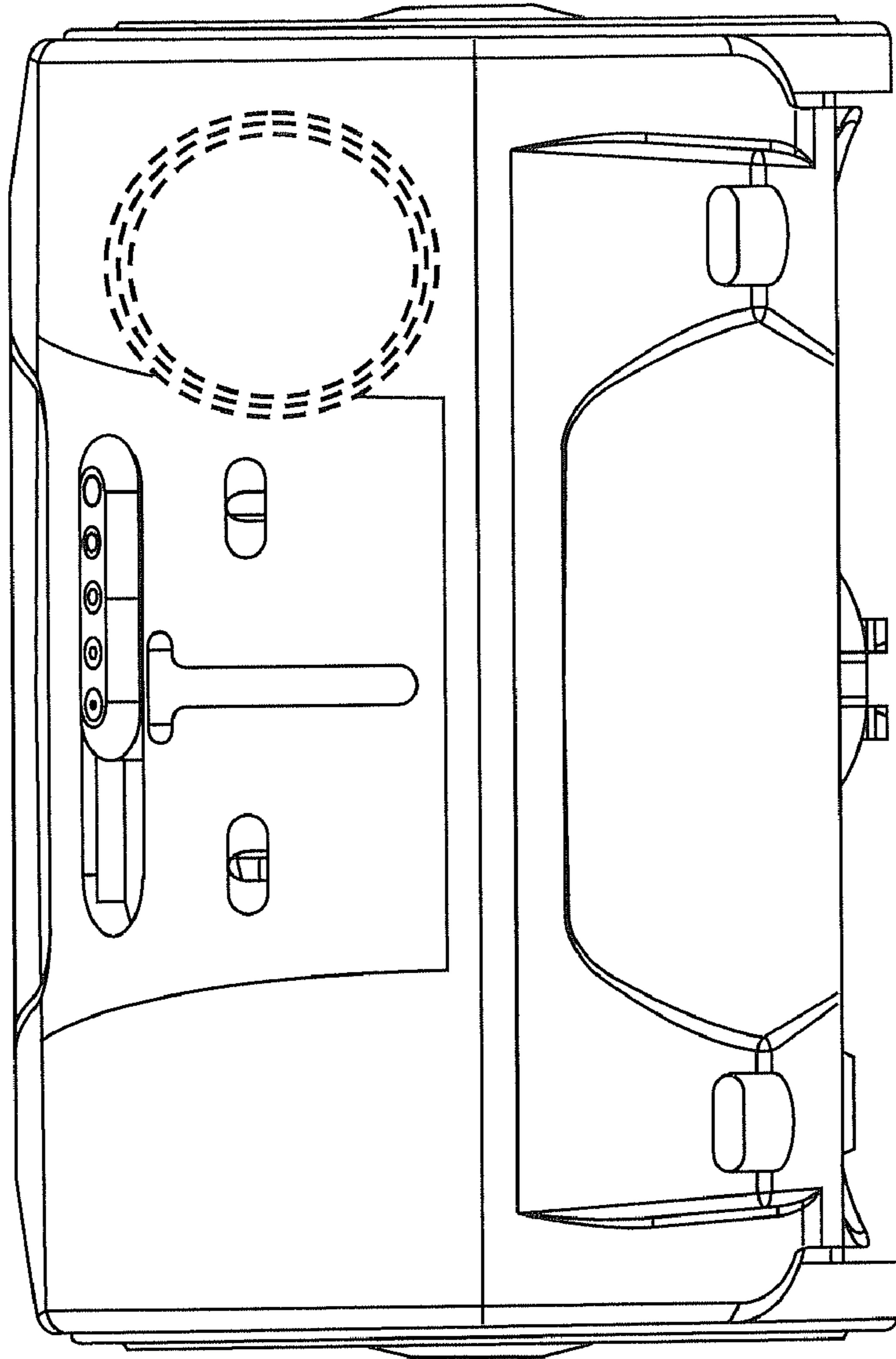
*Fig. 1*



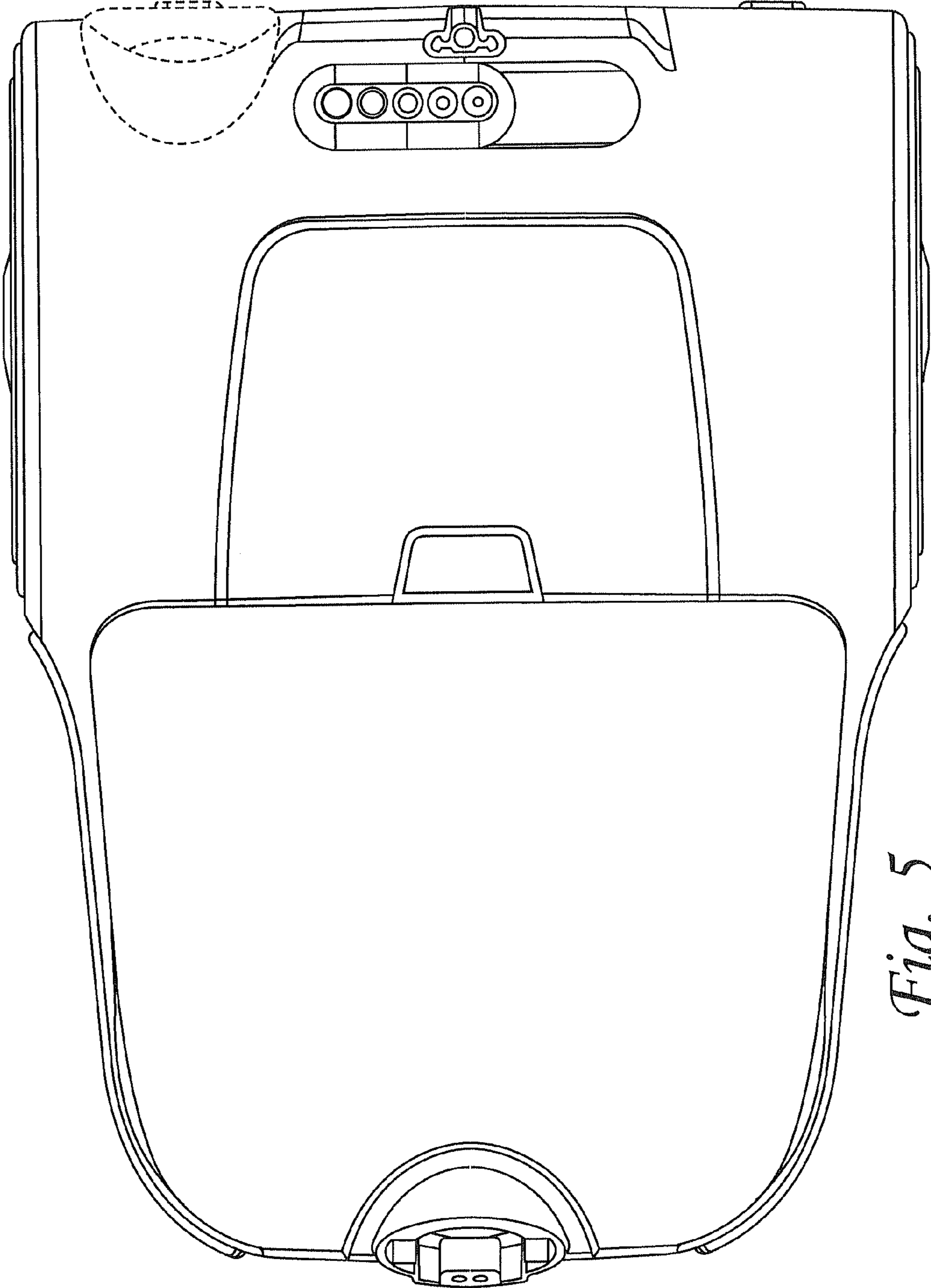
*Fig. 2*



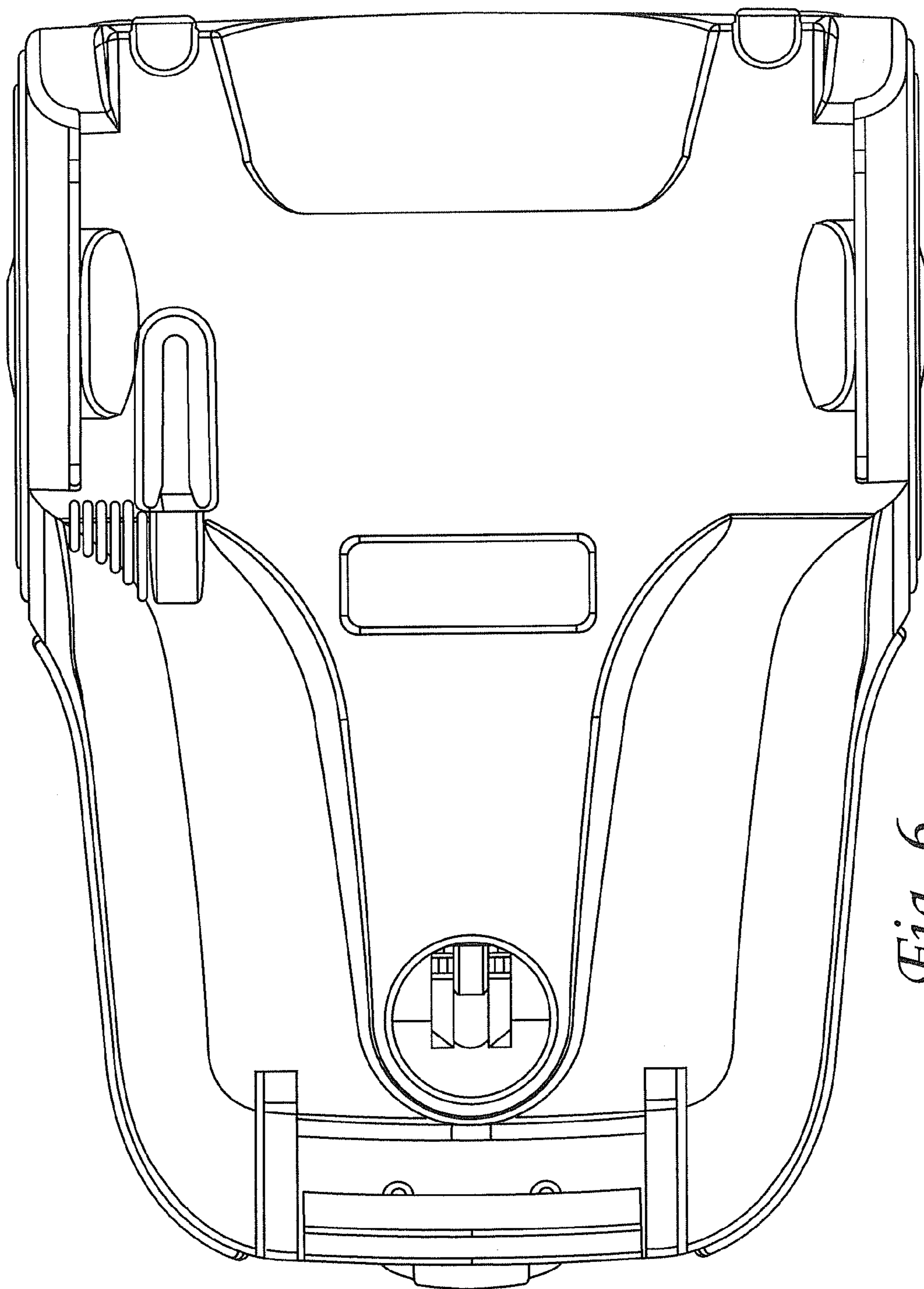
*Fig. 3*



*Fig. 4*



*Fig. 5*



*Fig. 6*