



US00D596808S

(12) **United States Design Patent**
Belter

(10) **Patent No.:** **US D596,808 S**
(45) **Date of Patent:** **** Jul. 21, 2009**

(54) **AQUARIUM**

(75) Inventor: **Detlef Belter**, Melle (DE)

(73) Assignee: **TETRA GmbH** (DE)

(**) Term: **14 Years**

(21) Appl. No.: **29/310,422**

(22) Filed: **Aug. 13, 2008**

(30) **Foreign Application Priority Data**

Jul. 29, 2008 (EM) 000978580

(51) **LOC (9) Cl.** **30-02**

(52) **U.S. Cl.** **D30/101**

(58) **Field of Classification Search** D30/101-107;
119/245-247, 253-256, 258

See application file for complete search history.

(56) **References Cited**

U.S. PATENT DOCUMENTS

D356,404 S *	3/1995	Hashimoto	D30/101
D357,556 S *	4/1995	Hashimoto	D30/101
D361,165 S *	8/1995	Ichikawa	D30/101
D361,412 S *	8/1995	Ichikawa	D30/101
D362,088 S *	9/1995	Ichikawa	D30/101
D366,735 S *	1/1996	Ichikawa	D30/101
D423,146 S *	4/2000	Wang	D30/101
D448,124 S *	9/2001	Wang	D30/101

FOREIGN PATENT DOCUMENTS

EM	000408612-0001	12/2005
EM	000408612-0002	12/2005

* cited by examiner

Primary Examiner—Cathy Anne MacCormac
(74) *Attorney, Agent, or Firm*—Merchant & Gould P.C.

(57) **CLAIM**

The ornamental design for an aquarium, as shown and described herein.

DESCRIPTION

FIG. 1 is a front perspective view of a first embodiment of an aquarium showing our new design.

FIG. 2 is a rear perspective view of the aquarium of FIG. 1.

FIG. 3 is a front elevation view of the aquarium of FIG. 1.

FIG. 4 is a rear elevation view of the aquarium of FIG. 1.

FIG. 5 is a top plan view of the aquarium of FIG. 1.

FIG. 6 is a bottom plan view of the aquarium of FIG. 1.

FIG. 7 is a right side elevation view of the aquarium of FIG. 1.

FIG. 8 is a left side elevation view of the aquarium of FIG. 1.

FIG. 9 is a front perspective view of a second embodiment of an aquarium showing our new design.

FIG. 10 is a rear perspective view of the aquarium of FIG. 9.

FIG. 11 is a front elevation view of the aquarium of FIG. 9.

FIG. 12 is a rear elevation view of the aquarium of FIG. 9.

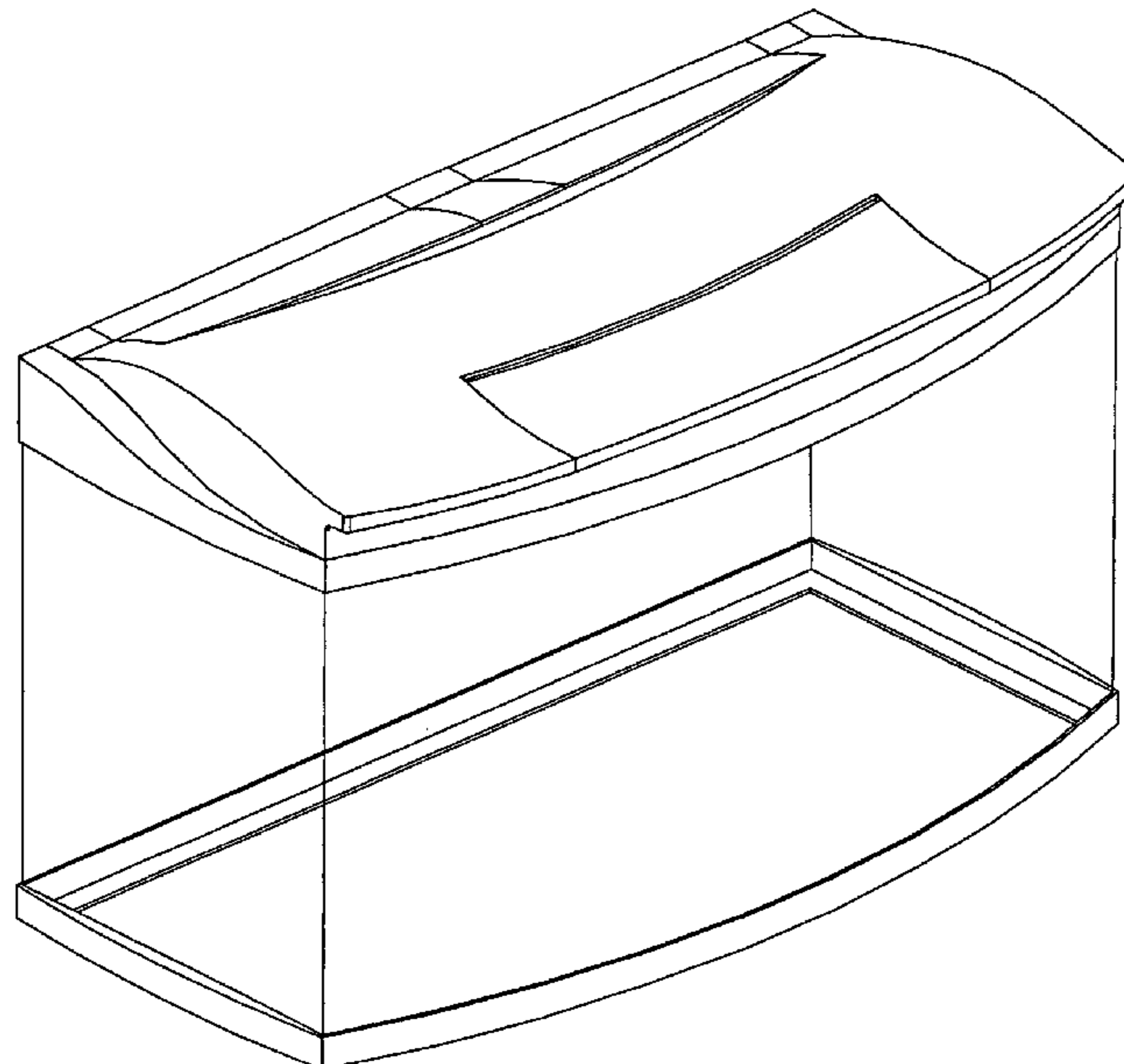
FIG. 13 is a top plan view of the aquarium of FIG. 9.

FIG. 14 is a bottom plan view of the aquarium of FIG. 9.

FIG. 15 is a right side elevation view of the aquarium of FIG. 9; and,

FIG. 16 is a left side elevation view of the aquarium of FIG. 9.

1 Claim, 16 Drawing Sheets



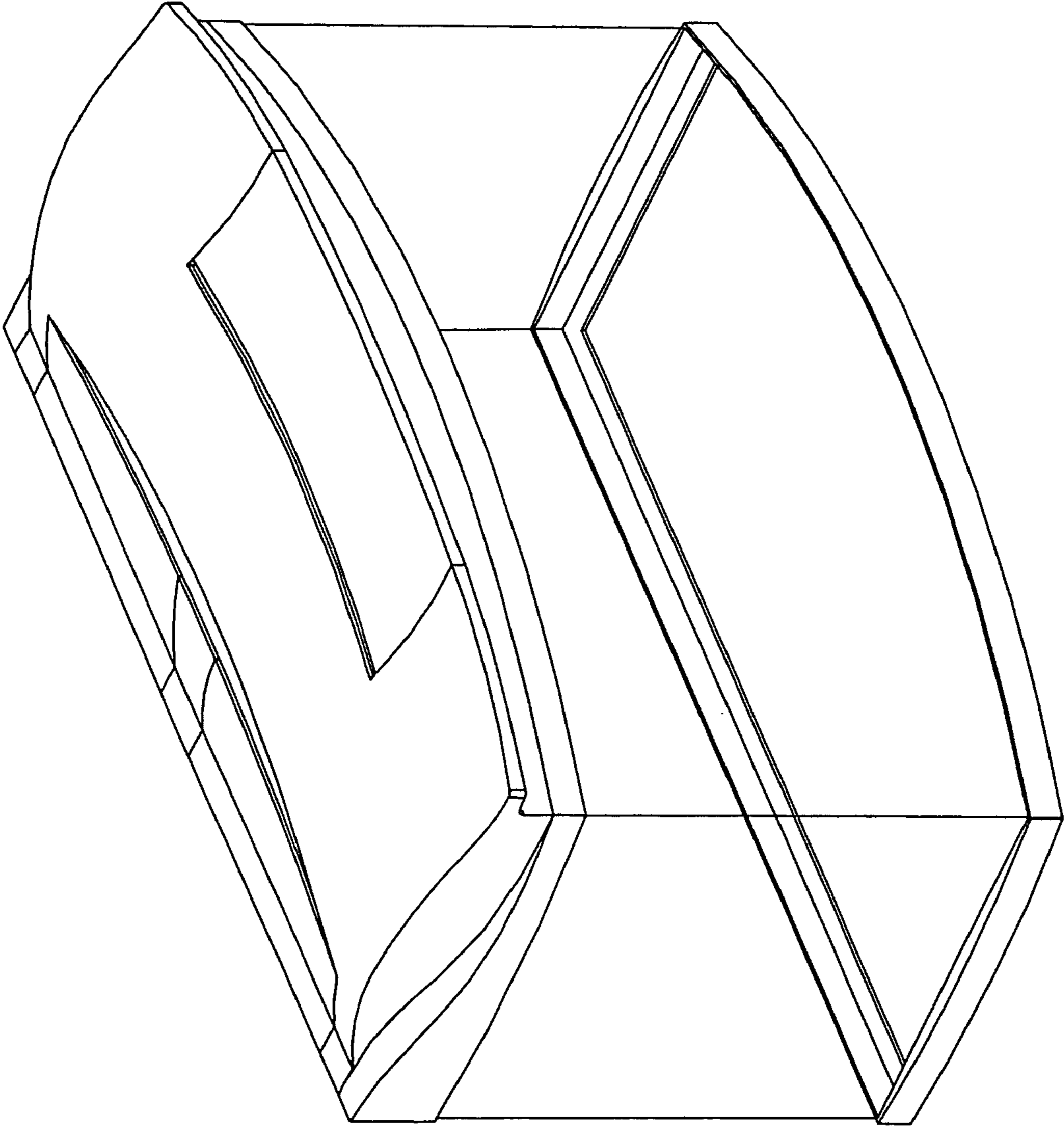


FIG. 1

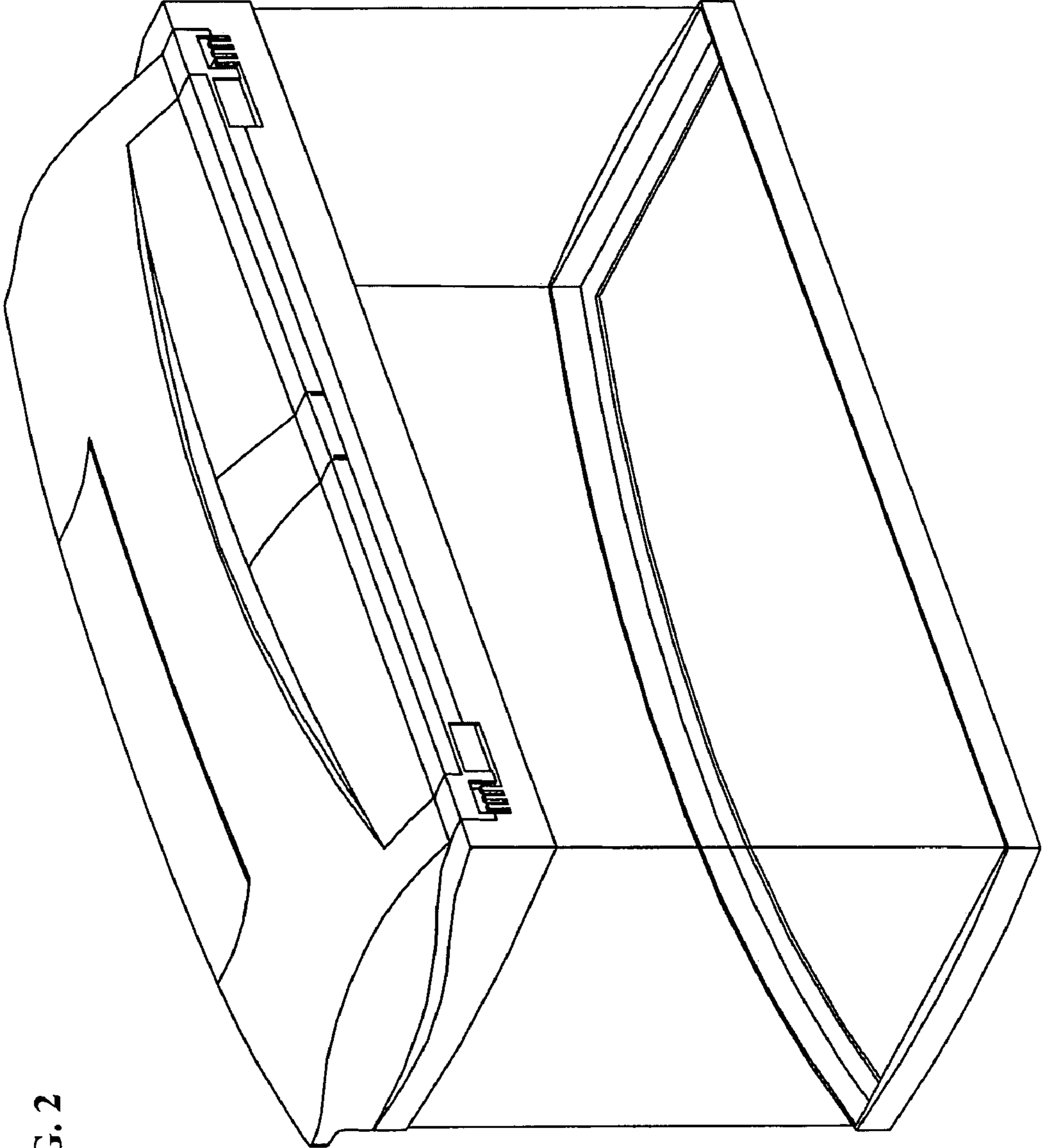


FIG. 2

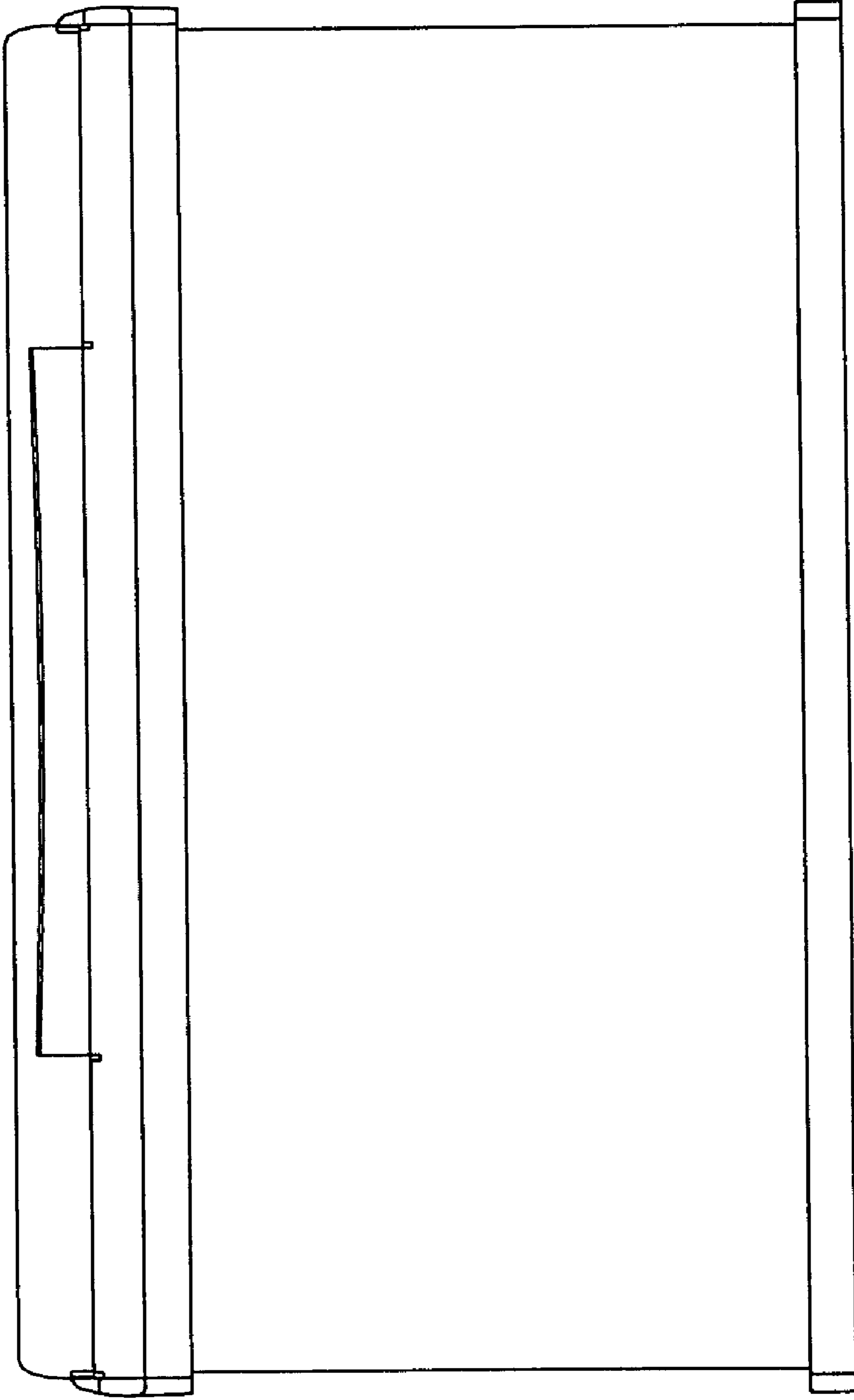


FIG. 3



FIG. 4

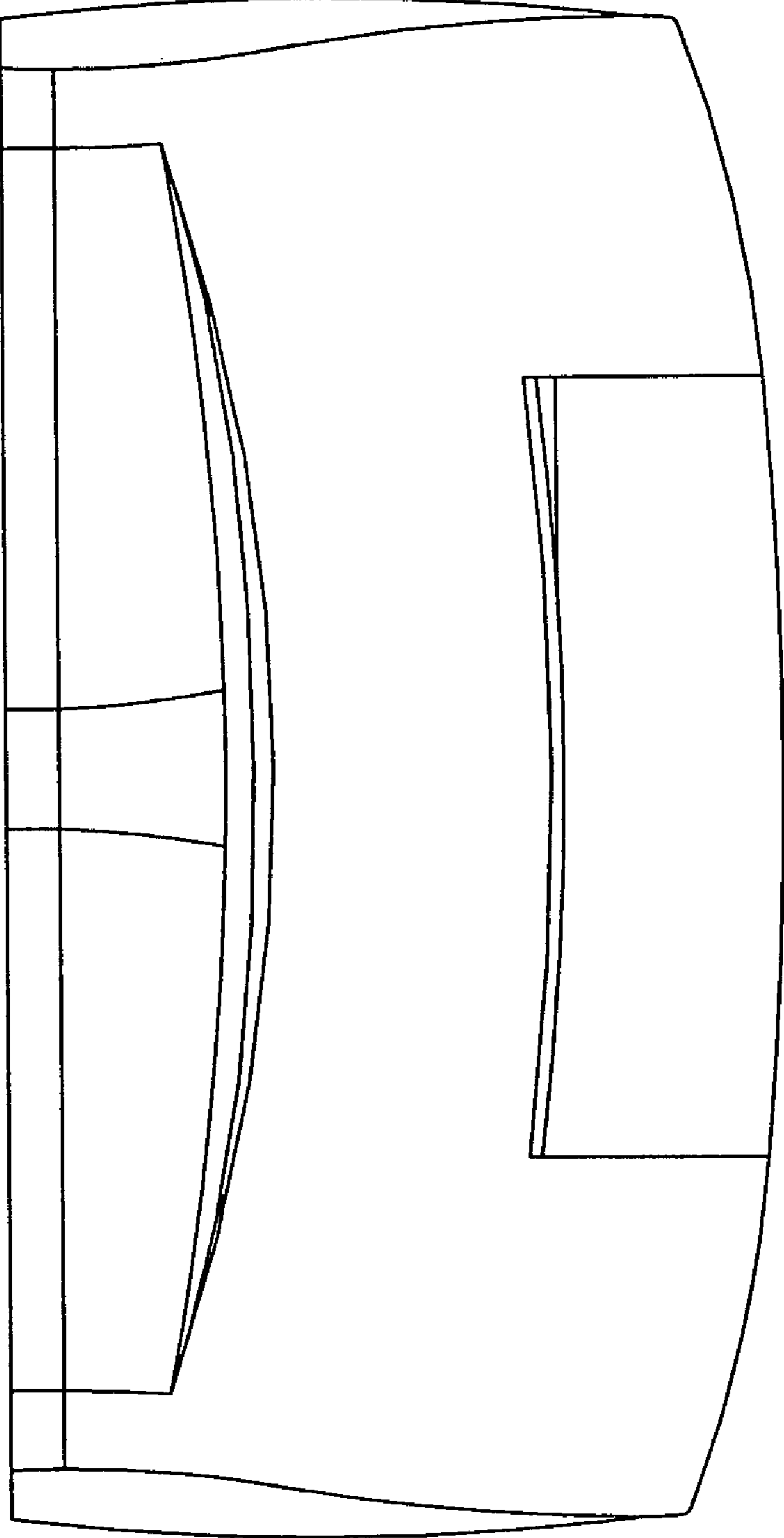


FIG. 5

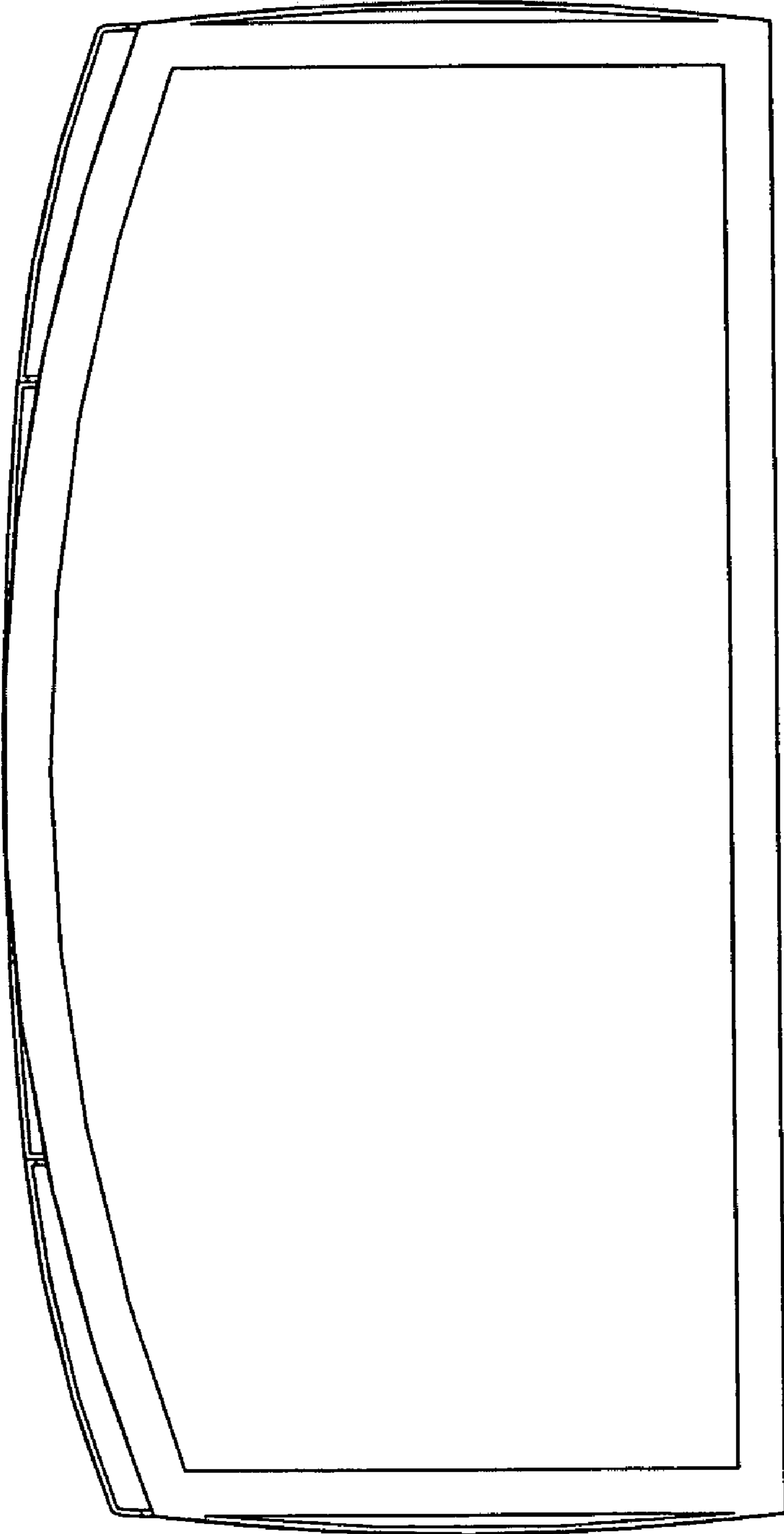


FIG. 6

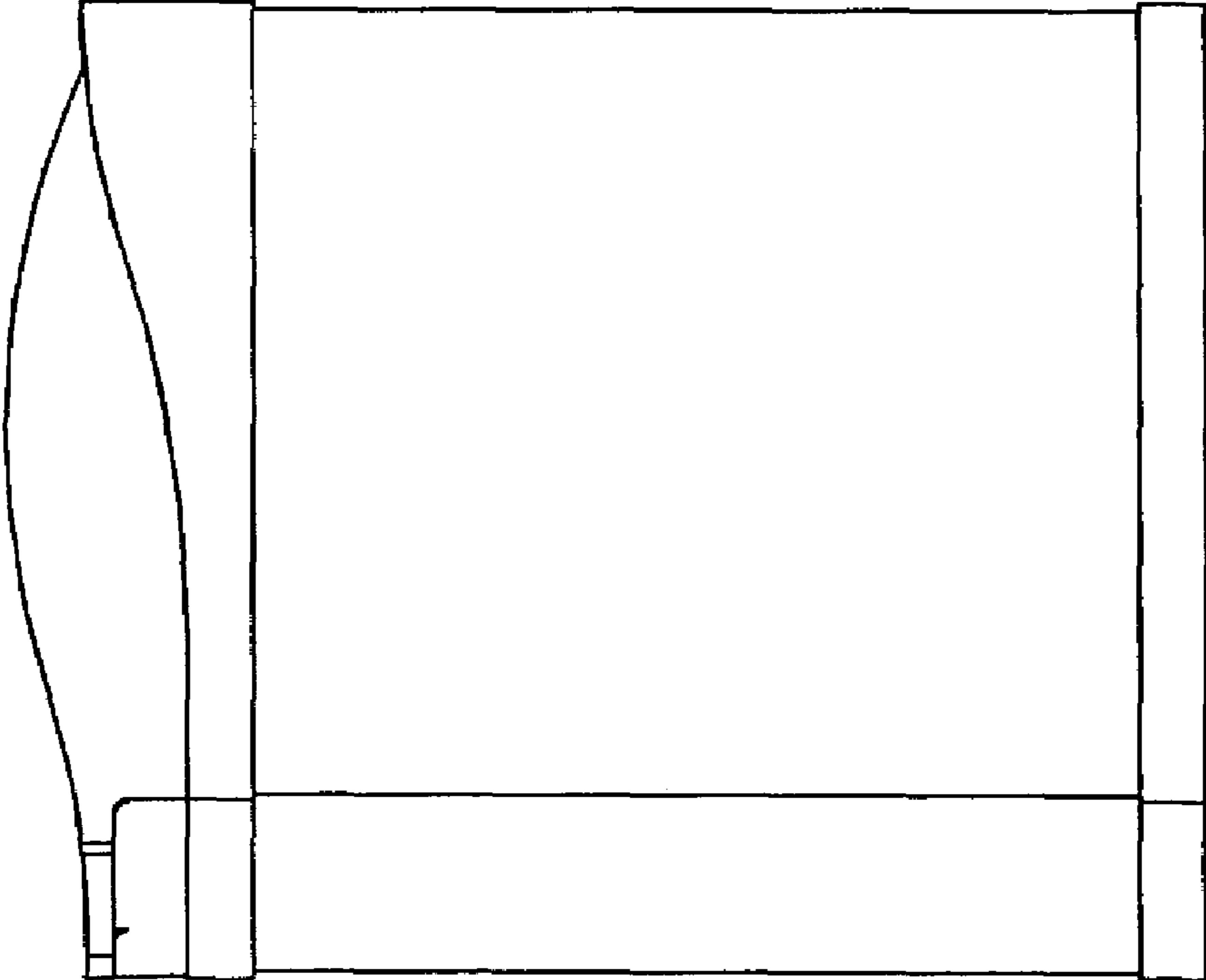


FIG. 7

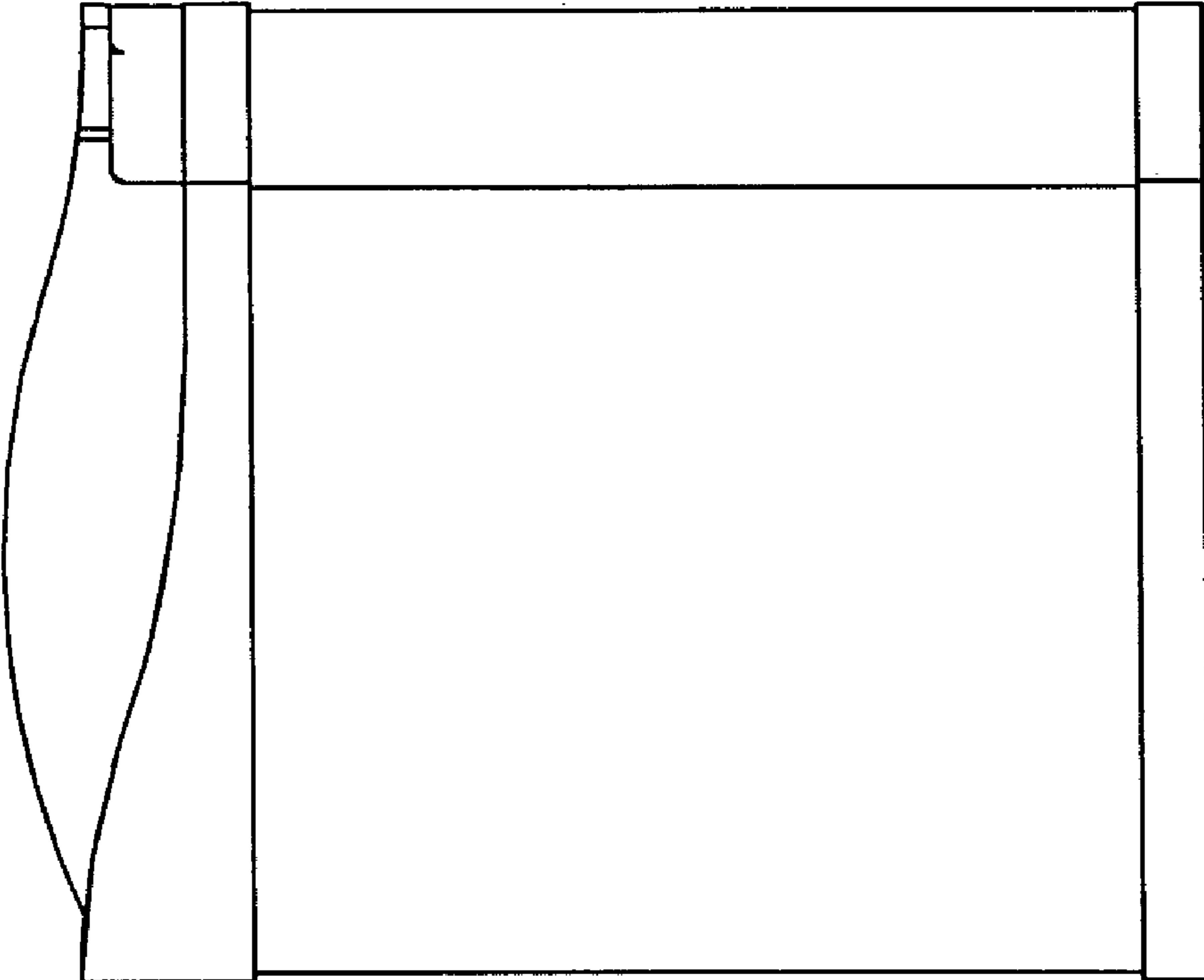


FIG. 8

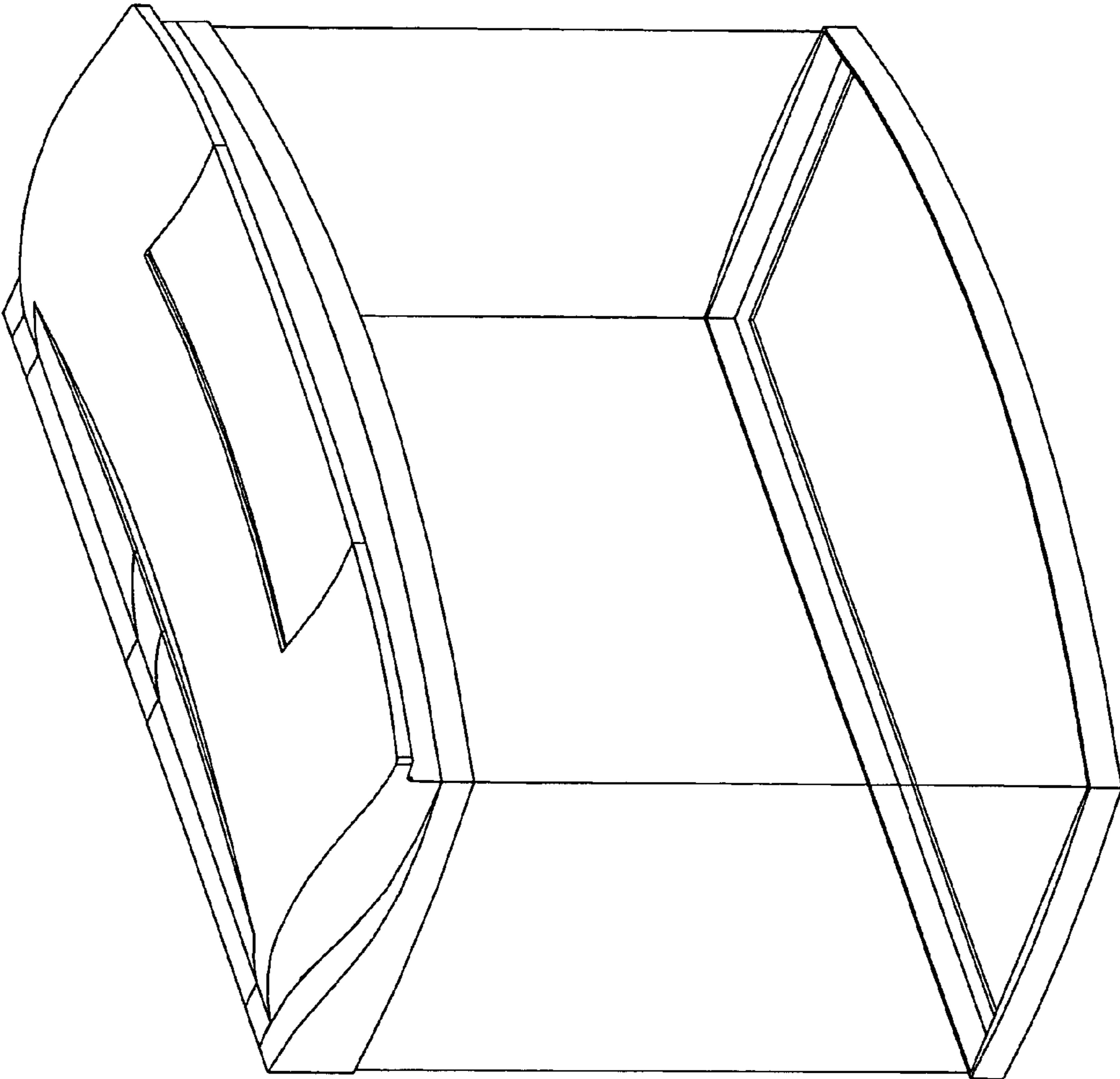


FIG. 9

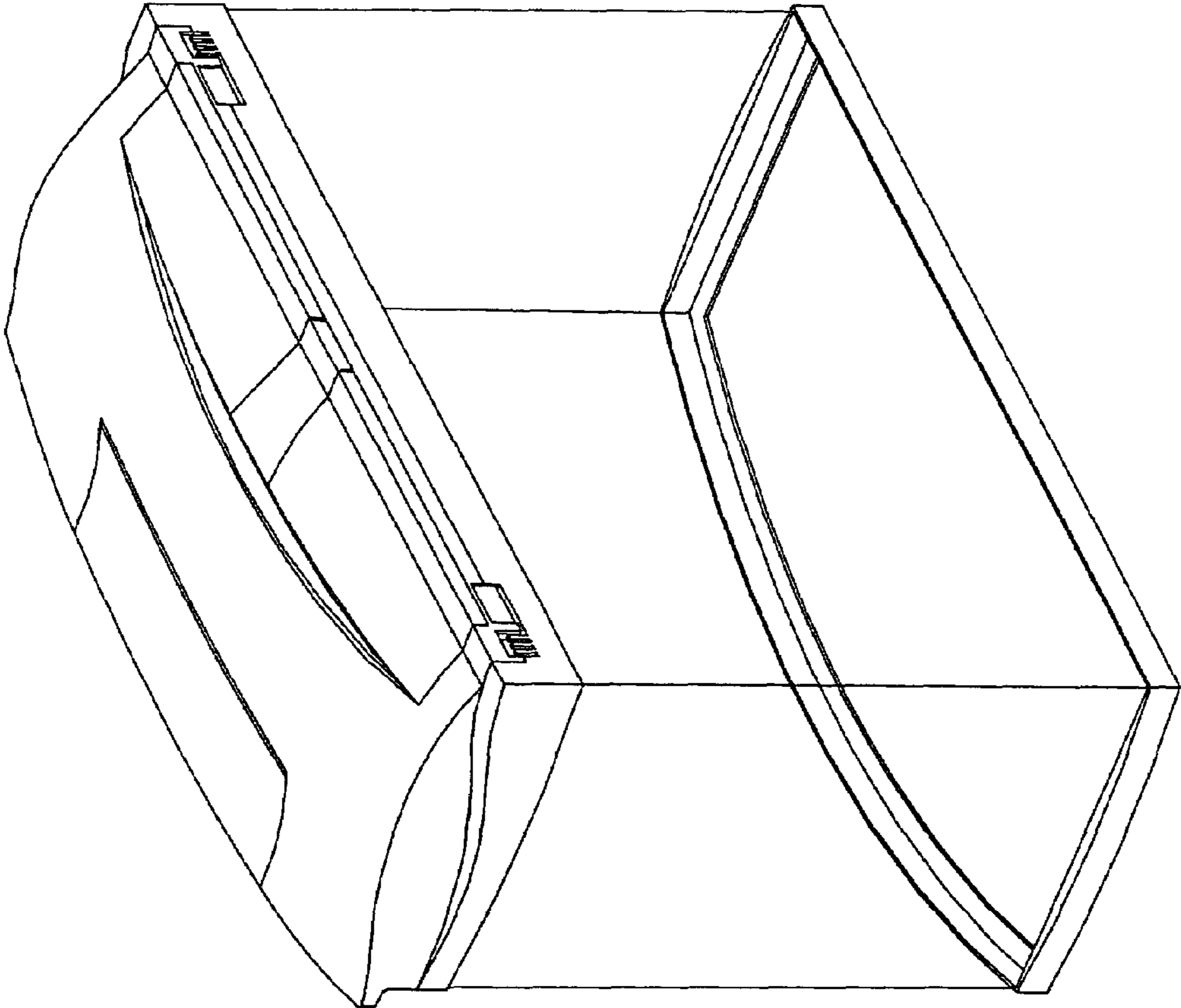


FIG. 10

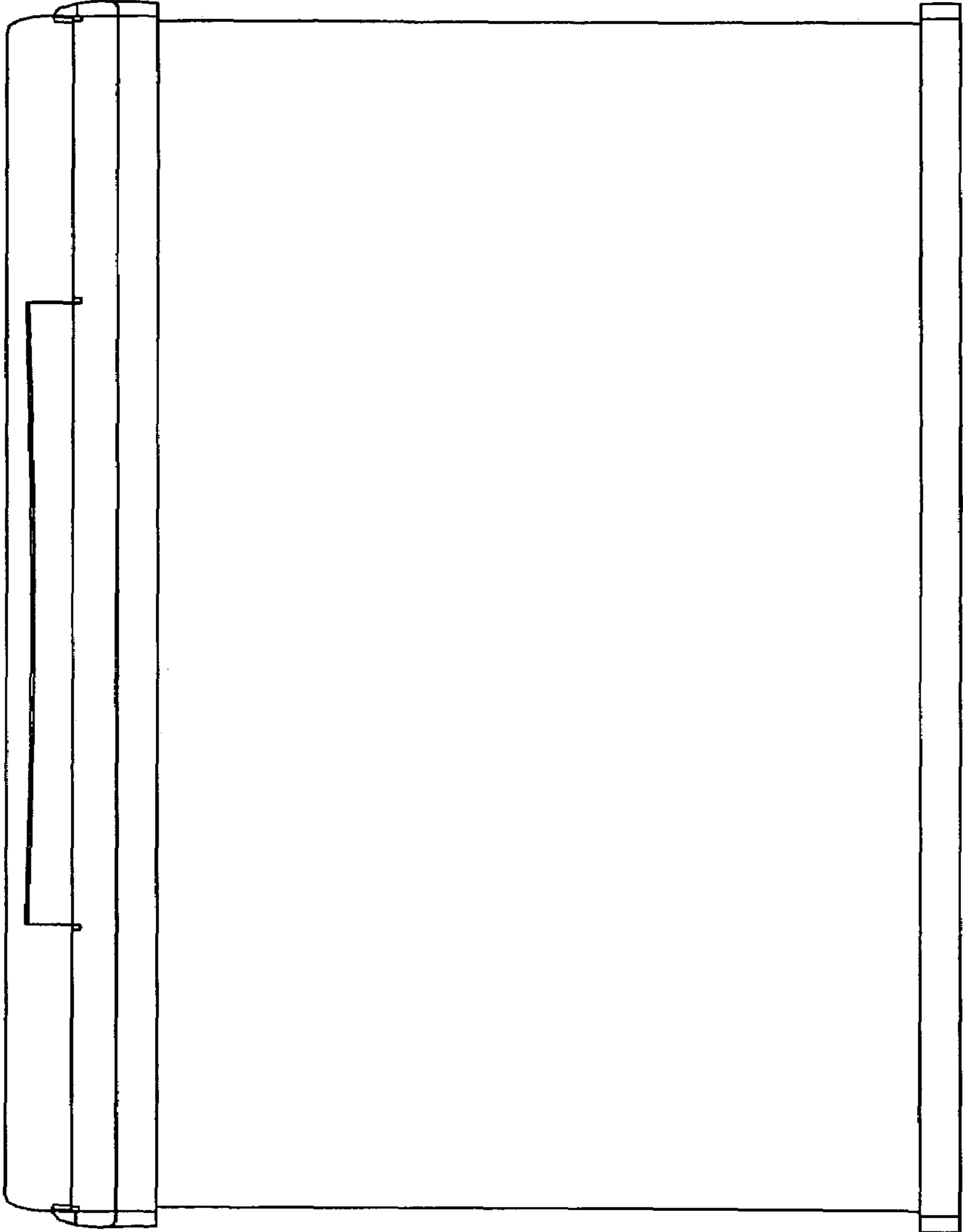


FIG. 11

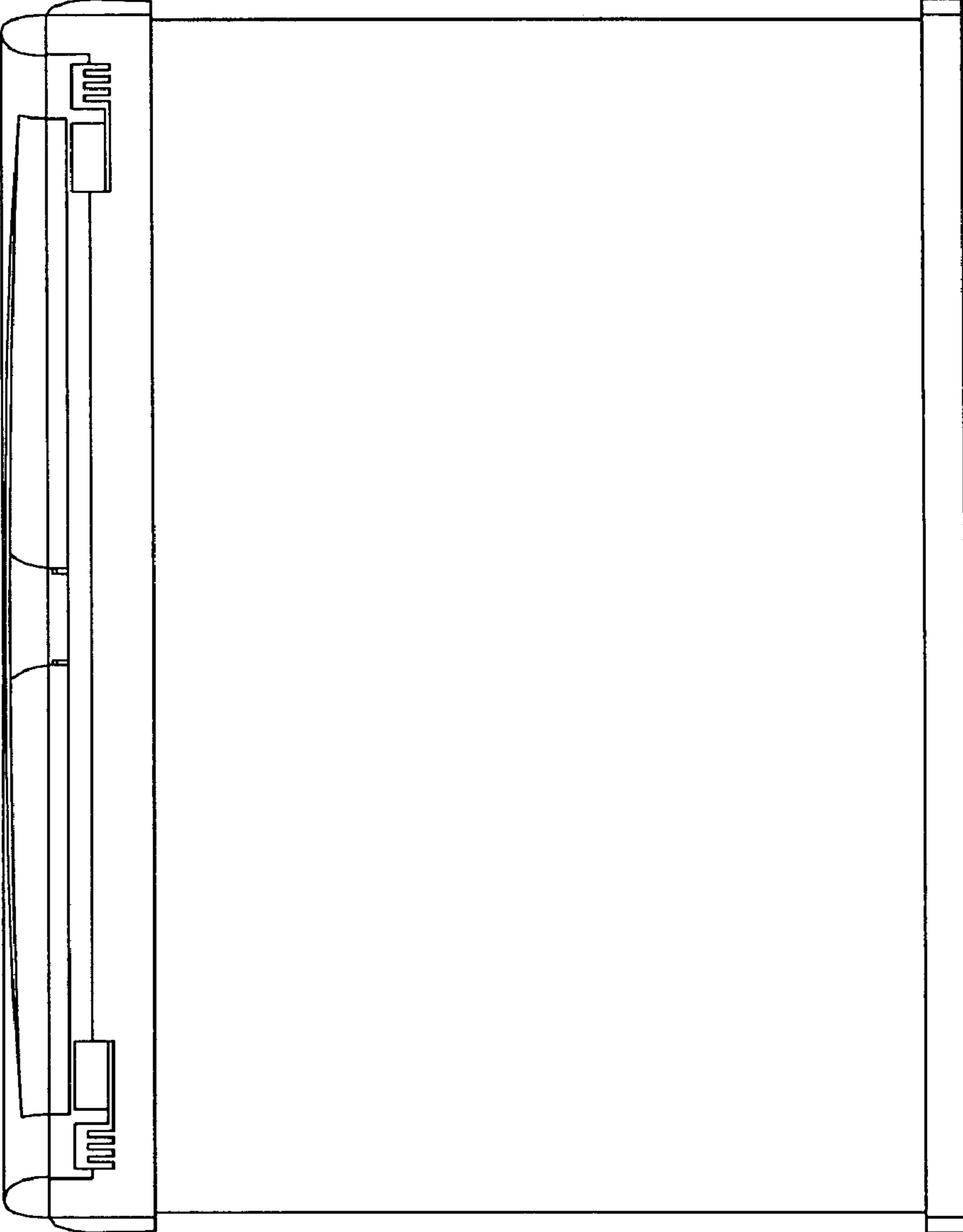


FIG. 12

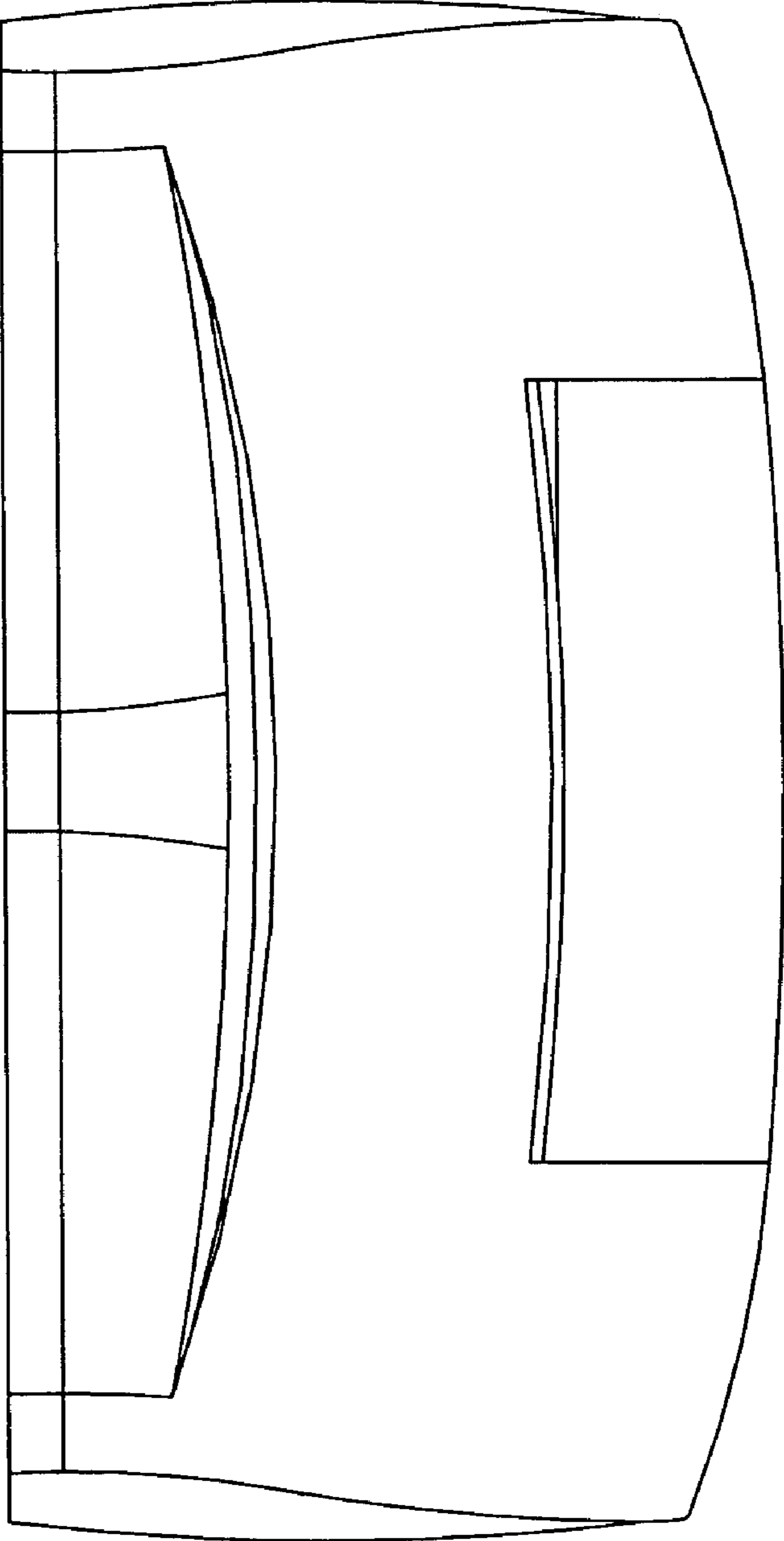


FIG. 13

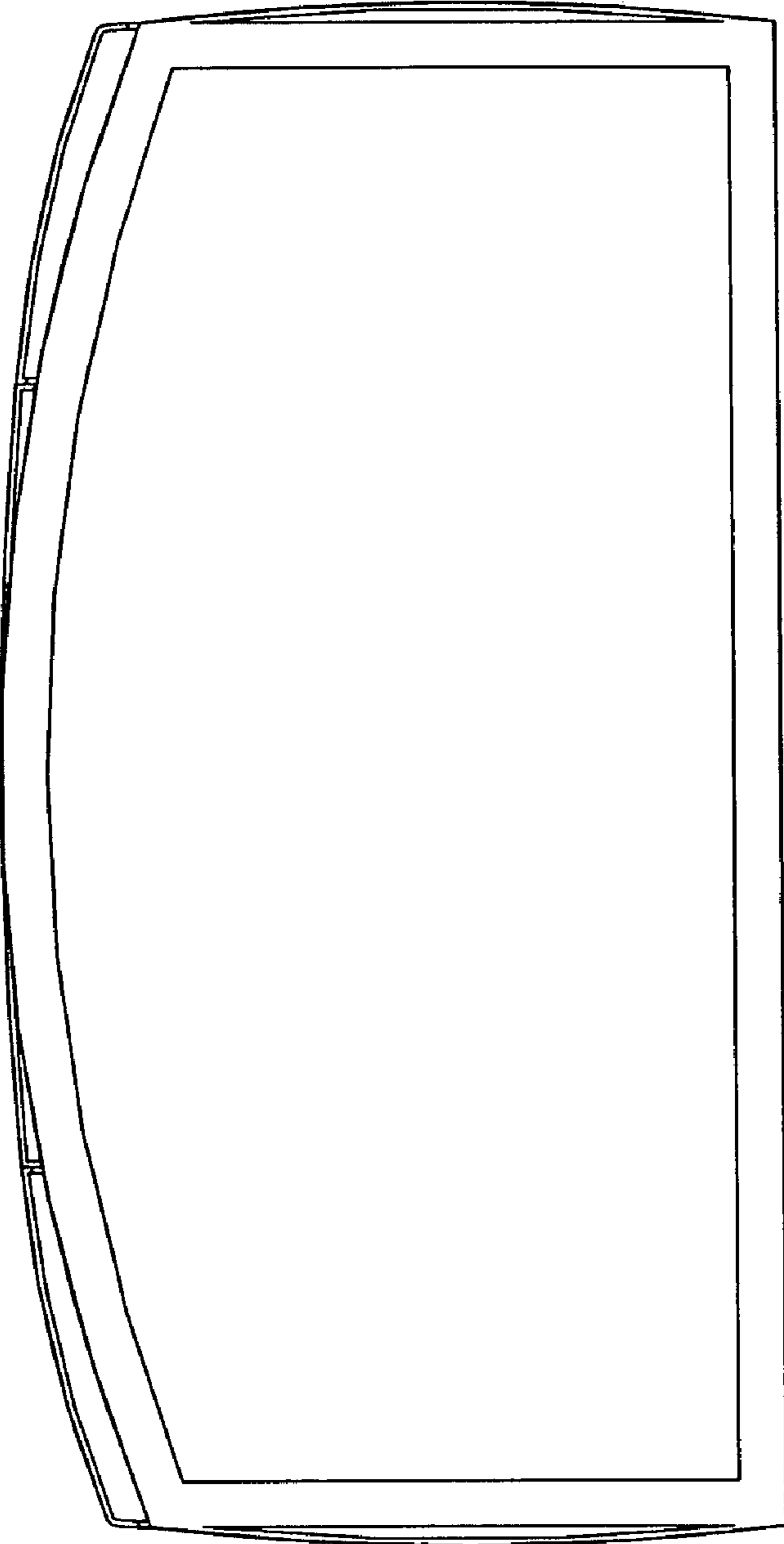


FIG. 14

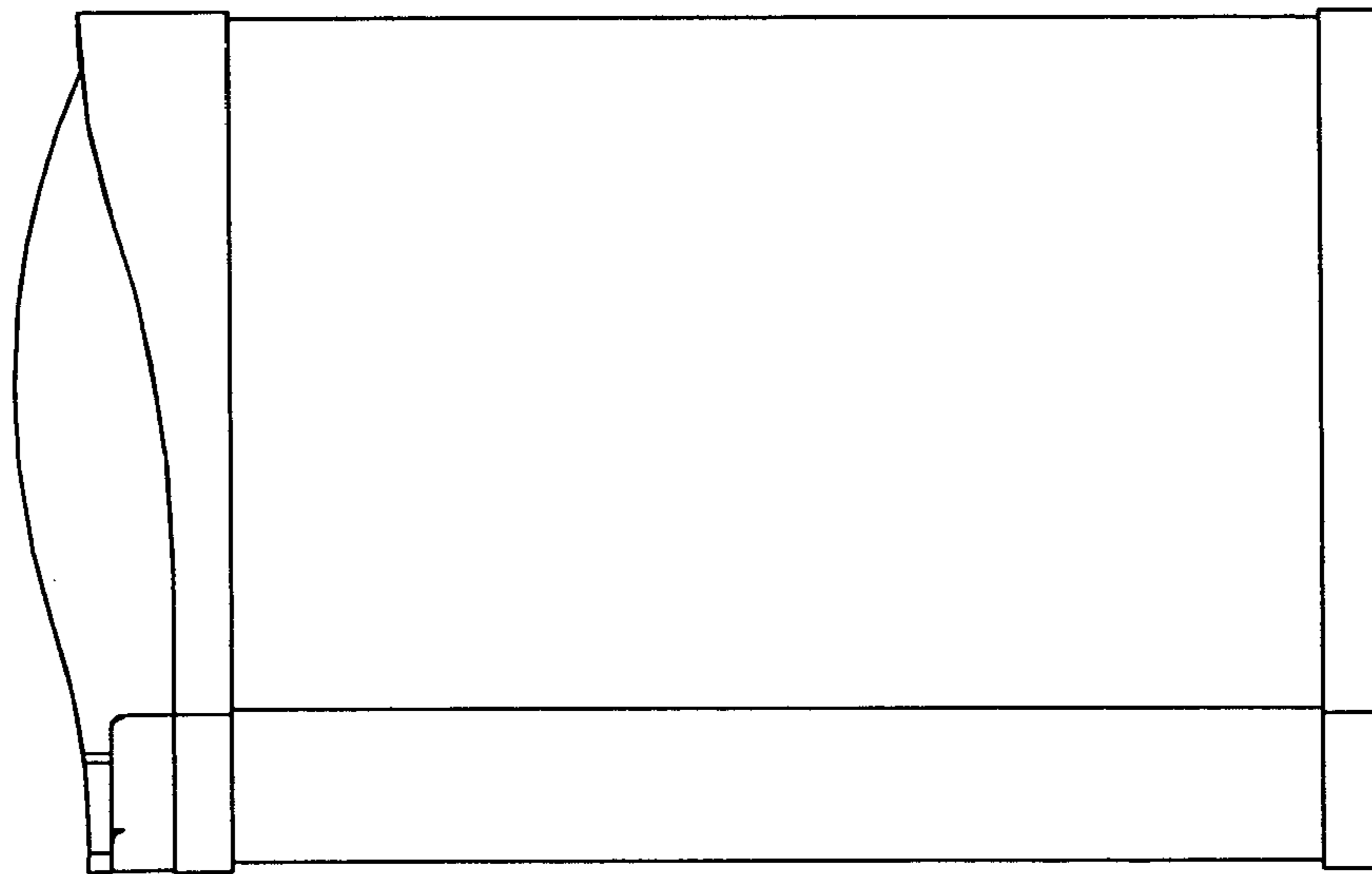


FIG. 15

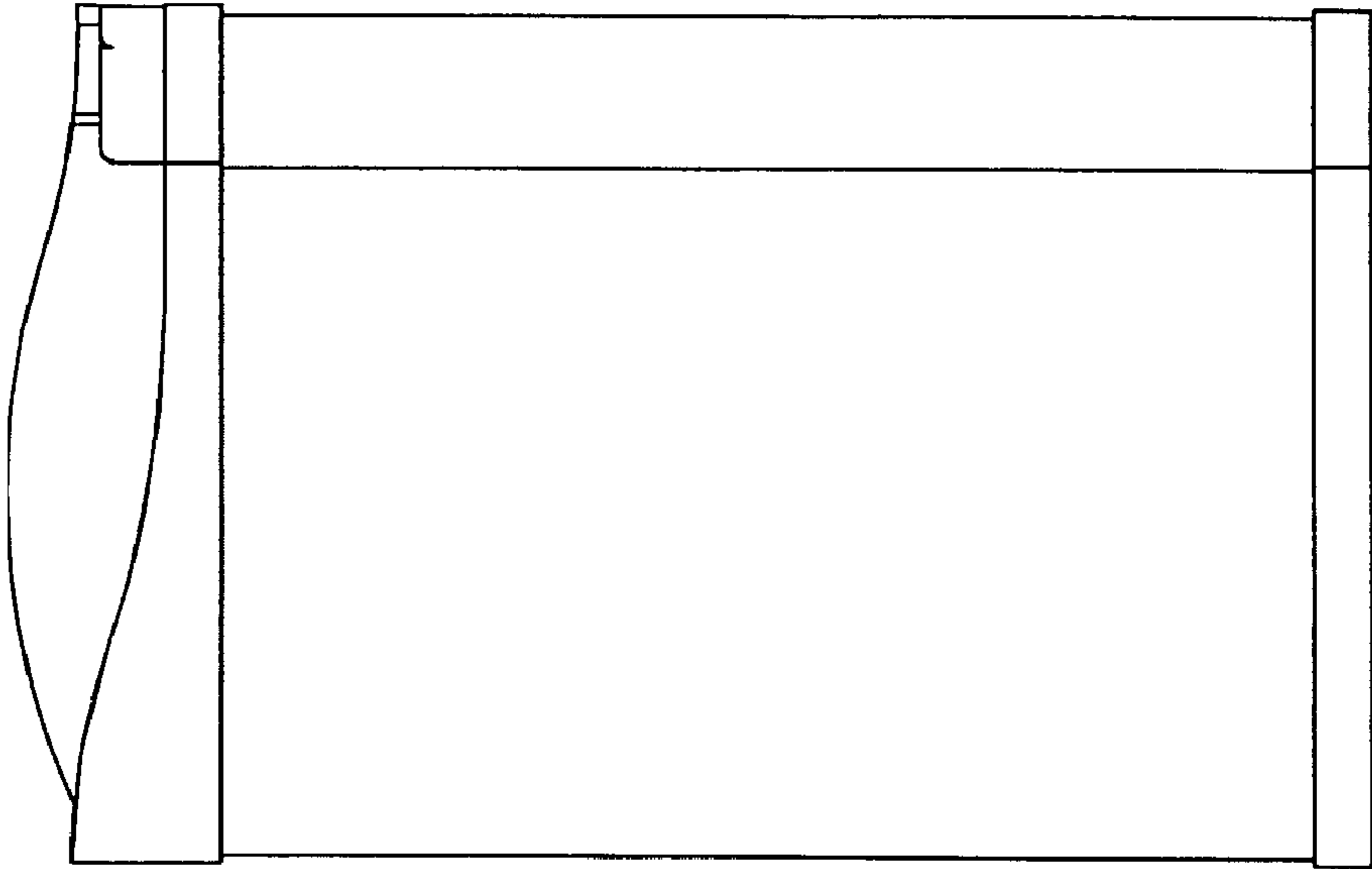


FIG. 16