



US00D596803S

(12) **United States Design Patent**
Broersma

(10) **Patent No.:** **US D596,803 S**
(45) **Date of Patent:** **** Jul. 21, 2009**

(54) **CATCHER'S HELMET WITH FACE GUARD
HAVING TRANSPARENT SHIELD**

(75) Inventor: **Lester Broersma**, San Diego, CA (US)

(73) Assignee: **Rawlings Sporting Goods Company,
Inc.**, St. Louis, MO (US)

(**) Term: **14 Years**

(21) Appl. No.: **29/289,833**

(22) Filed: **Aug. 2, 2007**

(51) **LOC (9) Cl.** **29-02**

(52) **U.S. Cl.** **D29/107; D29/108**

(58) **Field of Classification Search** D29/102-112,
D29/122; D24/110.1-110.4, 191; 267/142-146,
267/113, 64.13; 2/410-414, 416, 422-425,
2/9, 10, 206, 427, 429, 5, 6.3, 6.5, 6.7; 128/857-858
See application file for complete search history.

(56) **References Cited**

U.S. PATENT DOCUMENTS

3,220,014 A	11/1965	Stroh et al.	
3,608,089 A	9/1971	Abbatelli	
3,897,597 A	8/1975	Kasper	
3,984,875 A	10/1976	Farquharson	
4,021,858 A	5/1977	Neeld et al.	
4,031,564 A	6/1977	Wood	
D257,073 S *	9/1980	Jenkins	D29/106
4,495,657 A	1/1985	Bay	
D288,980 S	3/1987	Pernicka	
5,012,527 A	5/1991	Michel	
5,148,550 A	9/1992	Hodgkinson et al.	
5,206,955 A	5/1993	Milligan	
5,263,204 A	11/1993	Butsch	
5,267,353 A	12/1993	Milligan	
D358,232 S *	5/1995	Hoshizaki et al.	D29/106
5,412,814 A	5/1995	Pernicka et al.	
D360,488 S	7/1995	Cardinal	
5,483,699 A	1/1996	Pernicka et al.	
5,539,936 A	7/1996	Thomas	
5,655,227 A *	8/1997	Sundberg et al.	2/414
5,815,848 A	10/1998	Jarvis	
D412,376 S *	7/1999	Jurga et al.	D29/106
5,953,761 A *	9/1999	Jurga et al.	2/425

6,038,705 A	3/2000	Jarvis	
6,189,156 B1 *	2/2001	Loiars	2/424
6,301,719 B1	10/2001	Goodhand et al.	
6,938,272 B1	9/2005	Brown	
D527,847 S *	9/2006	Broersma	D29/105
D536,833 S *	2/2007	Broersma	D29/107
D557,460 S *	12/2007	Jourde et al.	D29/108
D563,057 S *	2/2008	Jourde et al.	D29/122
2007/0151003 A1 *	7/2007	Shih	2/424
2007/0199136 A1 *	8/2007	Brine et al.	2/410

OTHER PUBLICATIONS

U.S. Appl. No. 29/289,829, filed Aug. 2, 2007; Notice of Allowance dated Sep. 30, 2008 with Examiner's Amendment and Notice of References Cited; CPA filed Dec. 30, 2008 with Information Disclosure Statement.

U.S. Appl. No. 29/289,832, filed Aug. 2, 2007 and Withdrawal from Issue dated May 20, 2008, Notice of Allowance dated Apr. 18, 2008 with Examiner's Amendment and Notice of References Cited.

U.S. Appl. No. 11/888,816, filed Aug. 2, 2007 by Broersma et al. and International Search Report issued Nov. 3, 2008 in corresponding PCT/US2008/071754.

* cited by examiner

Primary Examiner—Ruth McInroy

(74) *Attorney, Agent, or Firm*—Stinson Morrison Hecker LLP

(57) **CLAIM**

The ornamental design for a catcher's helmet with face guard having transparent shield, as shown and described.

DESCRIPTION

FIG. 1 is a front perspective view of a catcher's helmet with face guard having transparent shield showing my new design;

FIG. 2 is a front elevational view thereof;

FIG. 3 is a rear elevational view thereof;

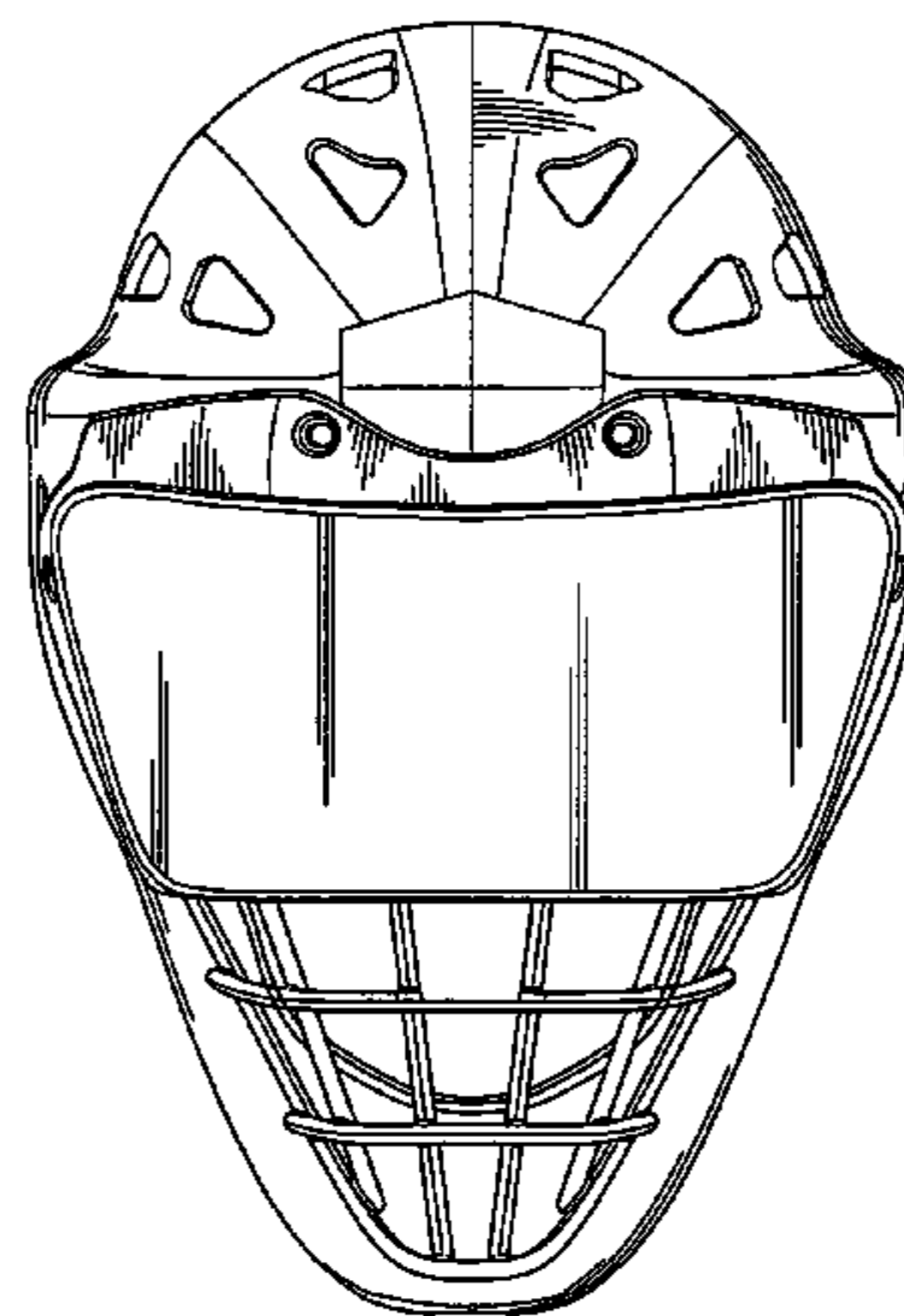
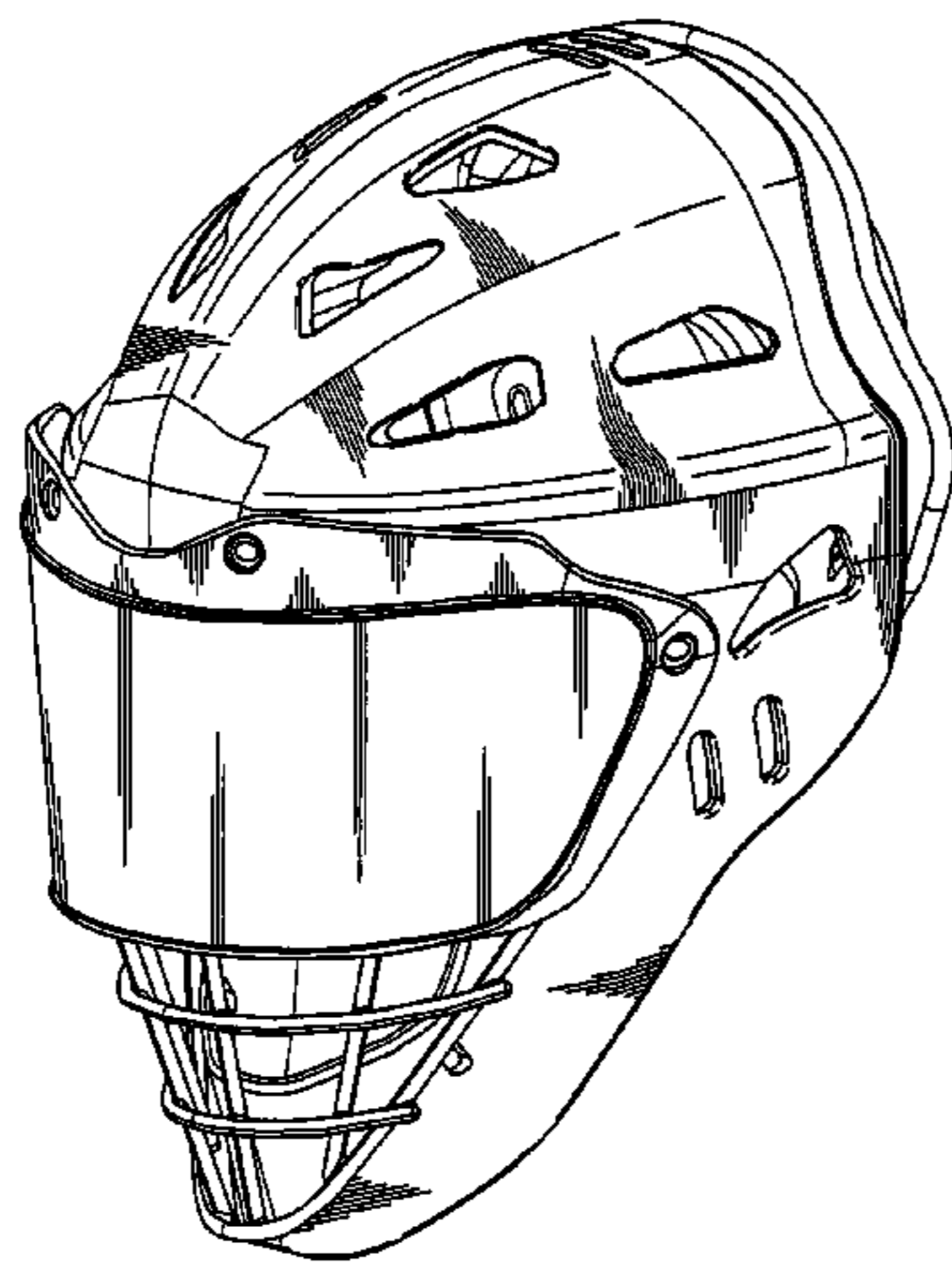
FIG. 4 is a right side elevational view thereof;

FIG. 5 is a left side elevational view thereof;

FIG. 6 is a top plan view thereof; and,

FIG. 7 is a bottom plan view thereof.

1 Claim, 4 Drawing Sheets



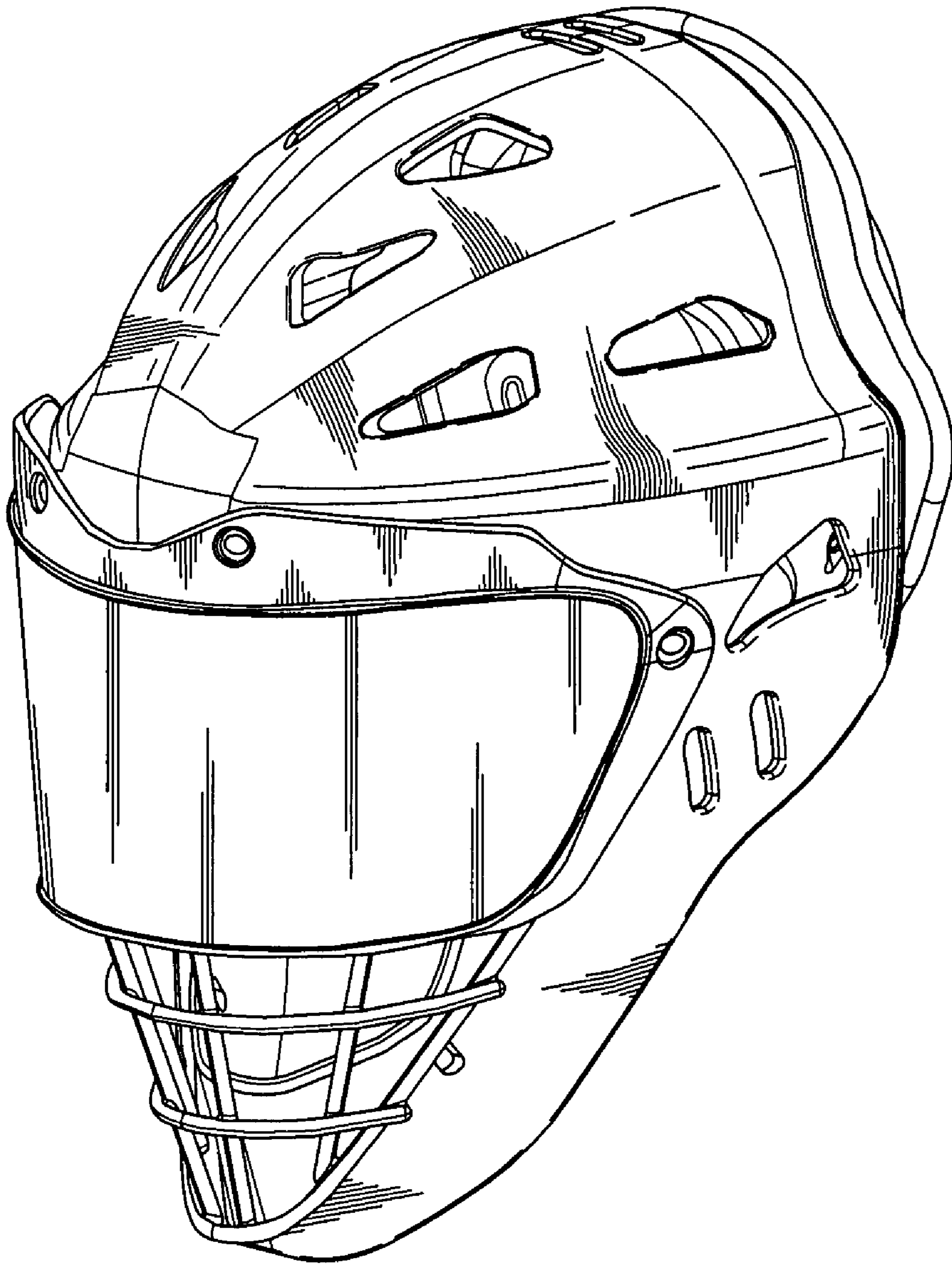


FIG. 1

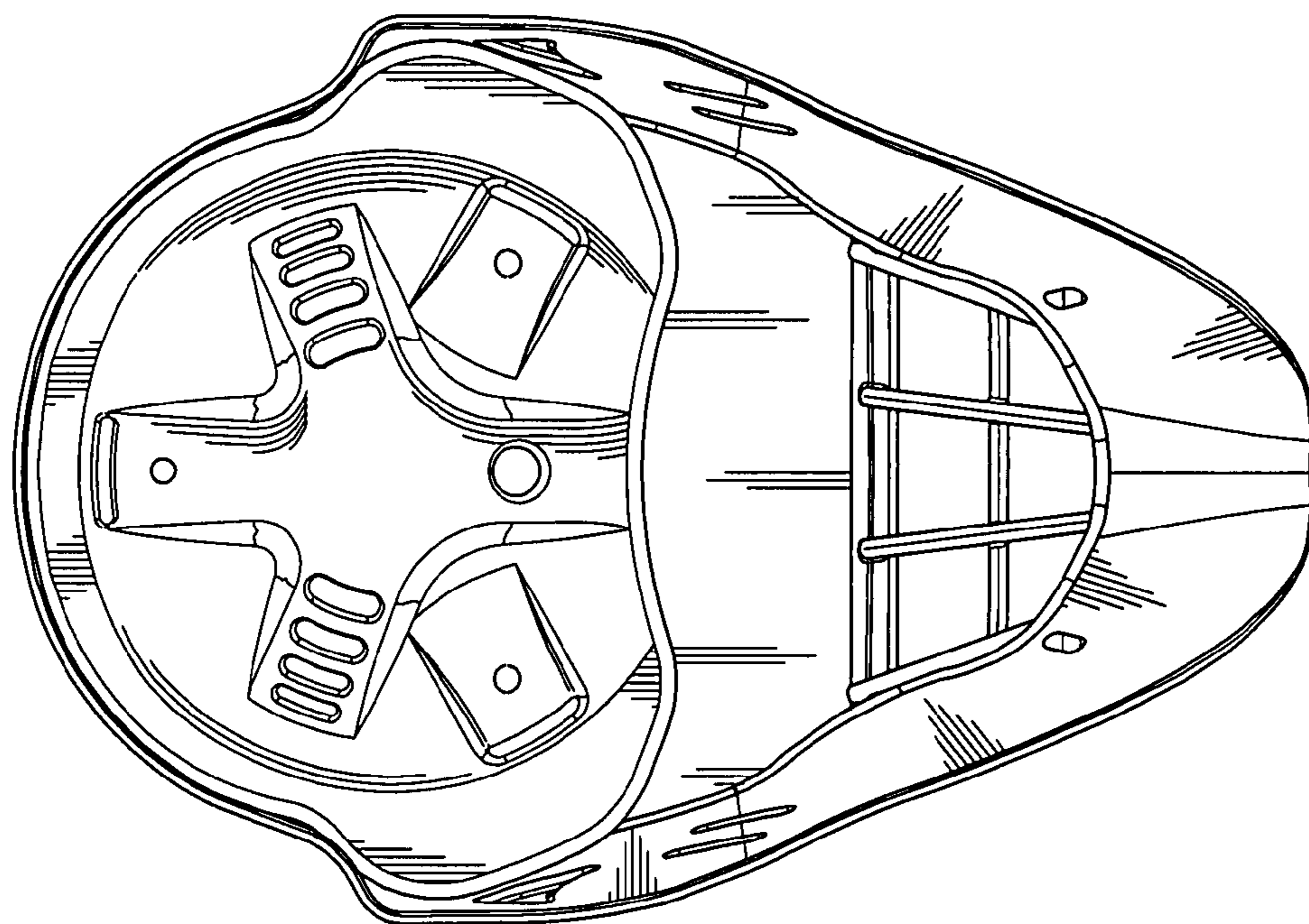


FIG. 3

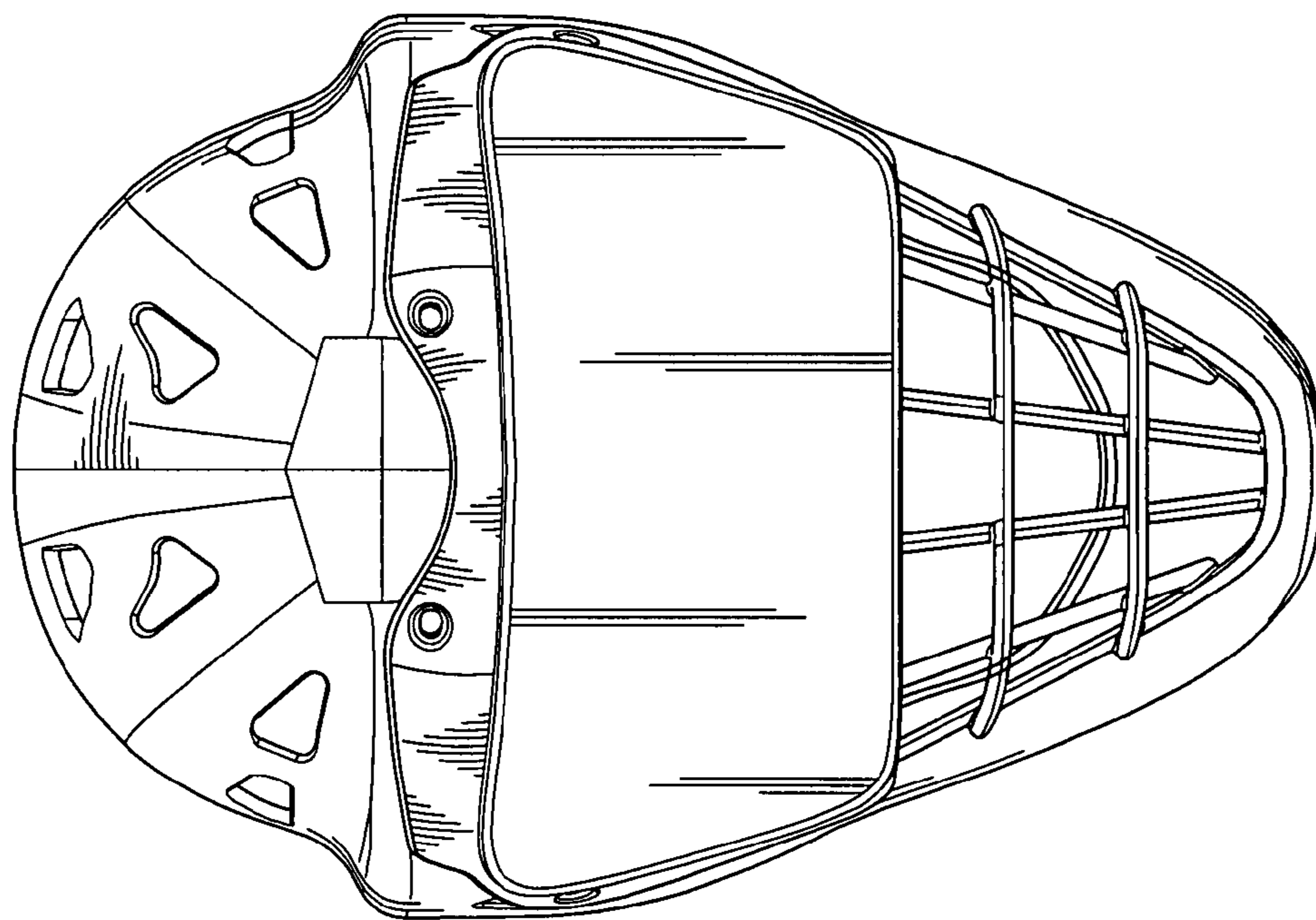


FIG. 2

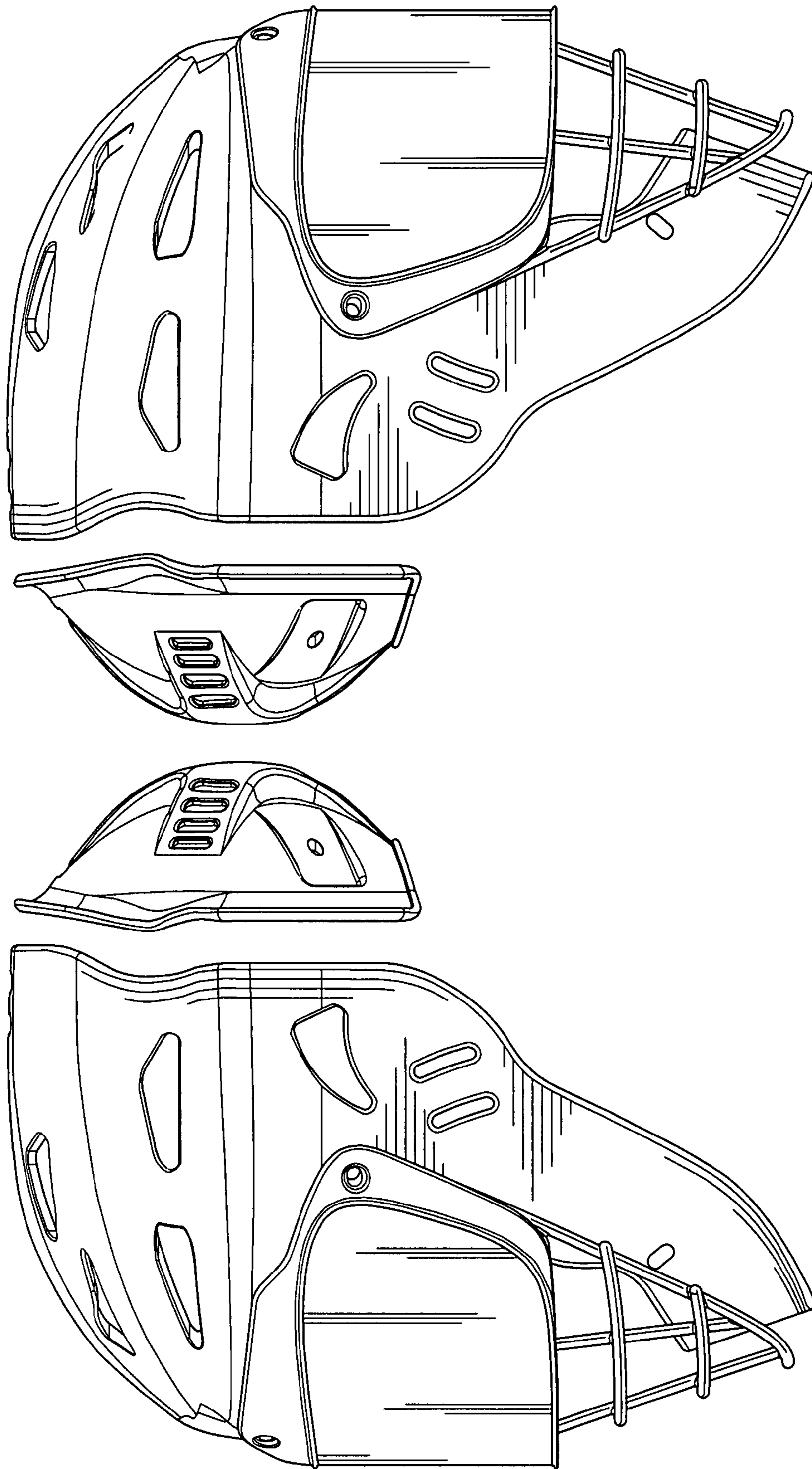


FIG. 5

FIG. 4

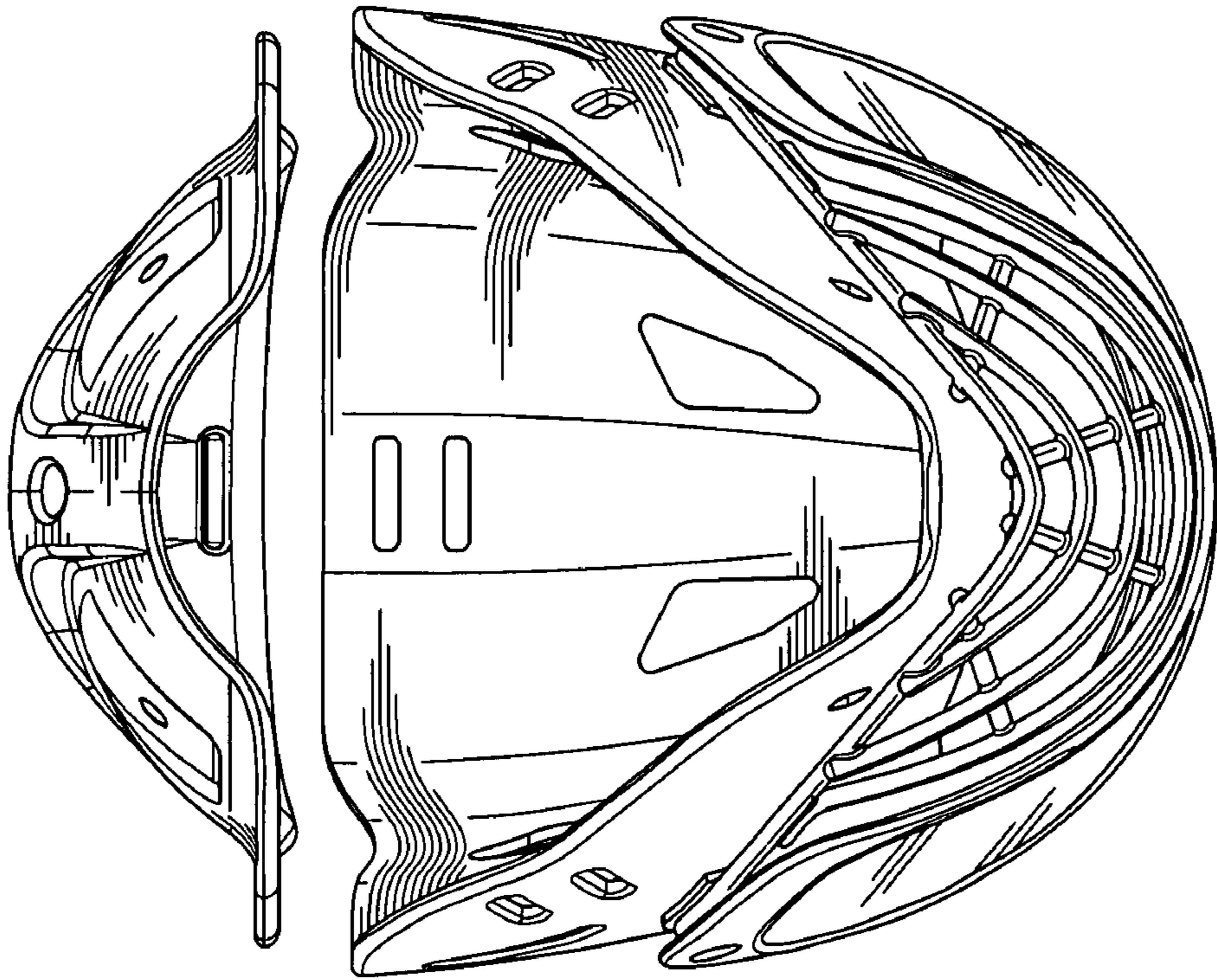


FIG. 7

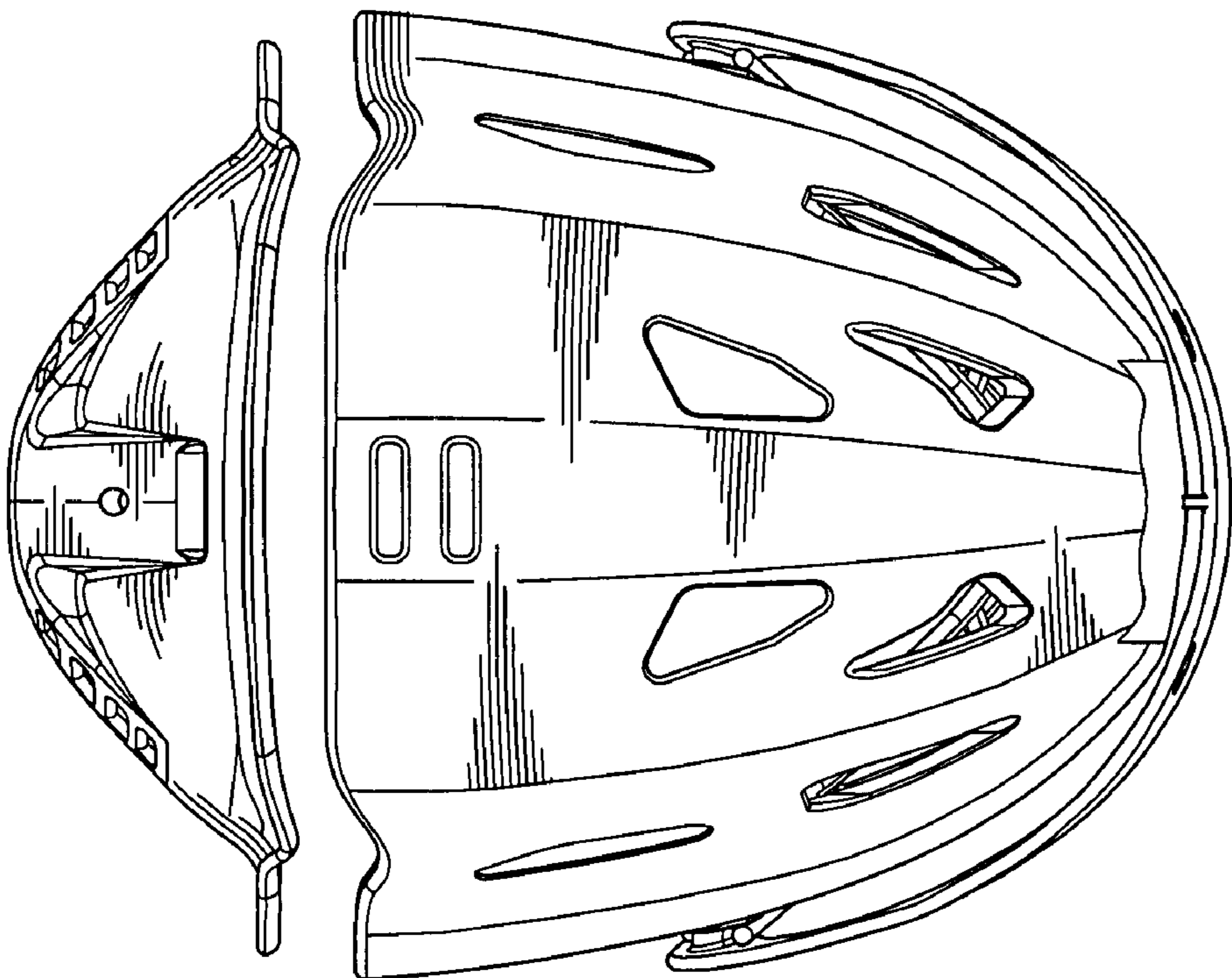


FIG. 6