



US00D596798S

(12) **United States Design Patent**  
**Keong**

(10) **Patent No.:** **US D596,798 S**

(45) **Date of Patent:** **\*\* Jul. 21, 2009**

(54) **HAIR STRAIGHTENER**

D511,023 S \* 10/2005 Cho ..... D28/35  
D544,646 S \* 6/2007 Overend ..... D28/35

(75) Inventor: **Wai Ho Michael Keong**, Kwai Chung  
(HK)

\* cited by examiner

(73) Assignee: **Kenford Industrial Co. Ltd.**, New  
Territories (HK)

*Primary Examiner*—Jennifer Rivard  
(74) *Attorney, Agent, or Firm*—Intellectual Property Law  
Group LLP; Juneko Jackson; Otto O. Lee

(\*\*) Term: **14 Years**

(21) Appl. No.: **29/331,209**

(57) **CLAIM**

(22) Filed: **Jan. 21, 2009**

The ornamental design for a hair straightener, as shown and  
described.

(30) **Foreign Application Priority Data**

**DESCRIPTION**

Jul. 24, 2008 (CN) ..... 2008 3 0211317

FIG. 1 is a perspective view of a hair straightener, embodying  
my new design;

(51) **LOC (9) Cl.** ..... **28-03**

FIG. 2 is a left side elevational view thereof;

(52) **U.S. Cl.** ..... **D28/35**

FIG. 3 is a right side elevational view thereof;

(58) **Field of Classification Search** ..... 132/222–225,  
132/227–229, 236, 245; 219/222, 225–226;  
D28/37–38, 35

FIG. 4 is a front elevational view thereof;

See application file for complete search history.

FIG. 5 is a rear elevational view thereof;

(56) **References Cited**

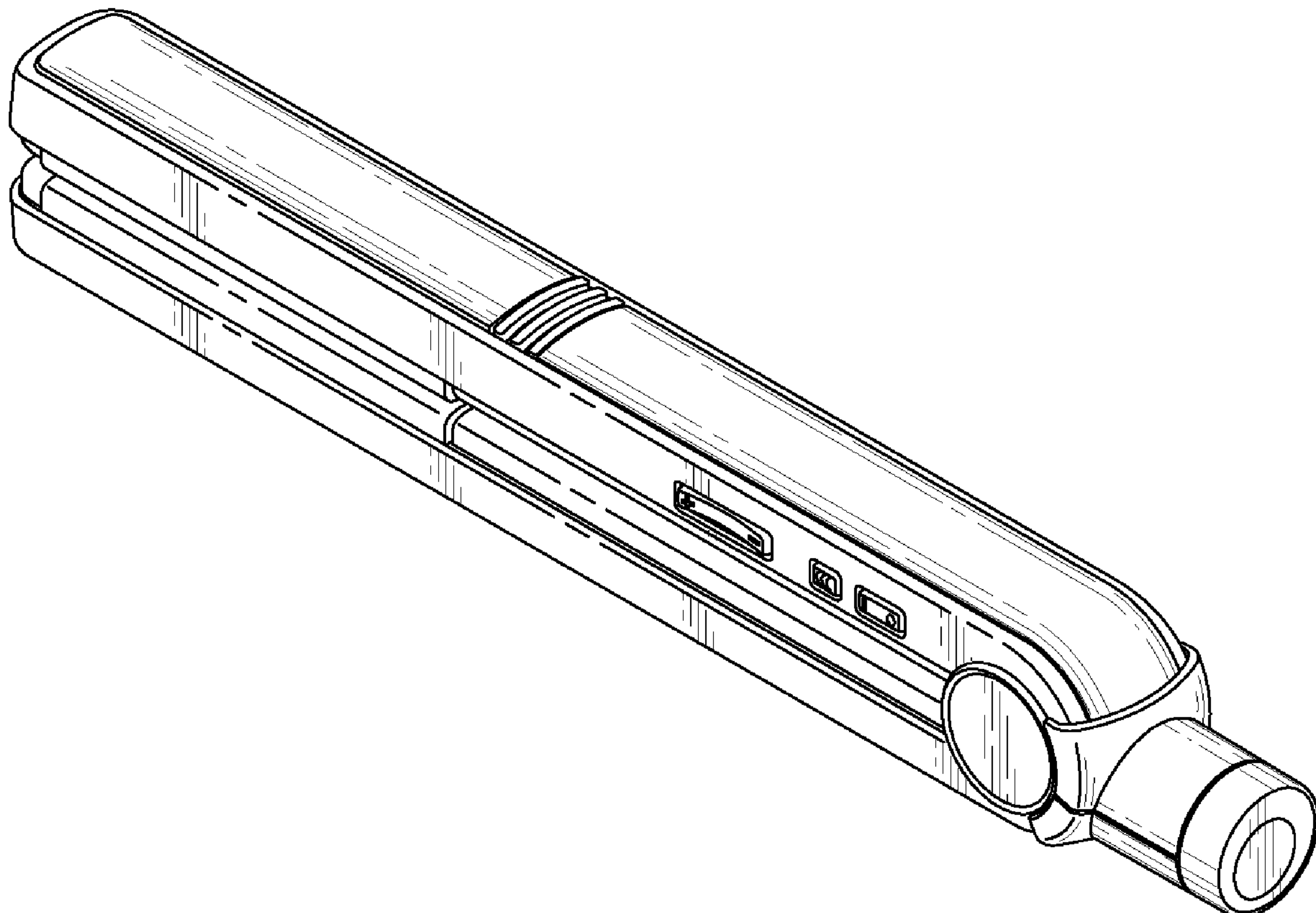
FIG. 6 is a top plan view thereof; and,

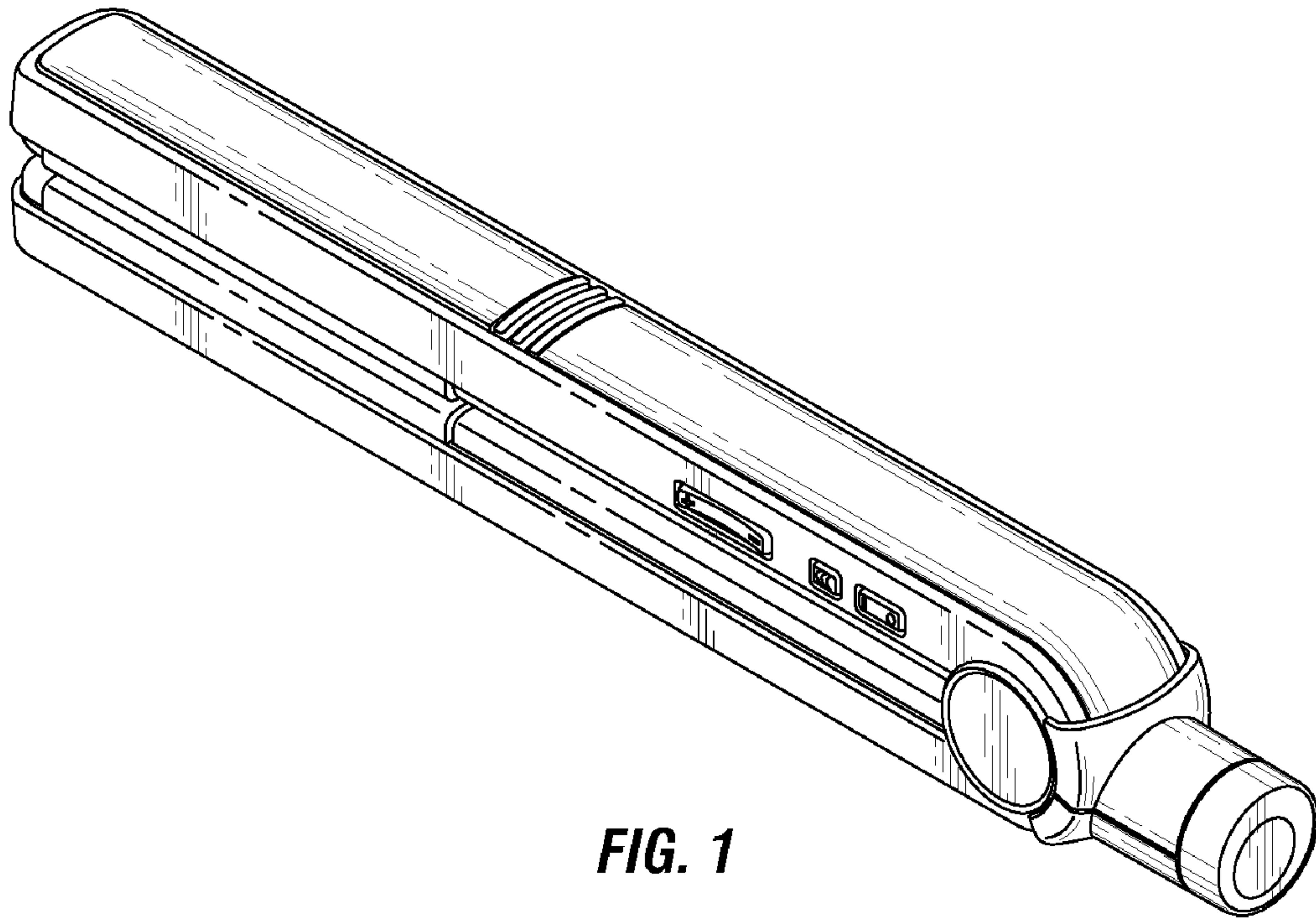
**U.S. PATENT DOCUMENTS**

FIG. 7 is a bottom plan view thereof.

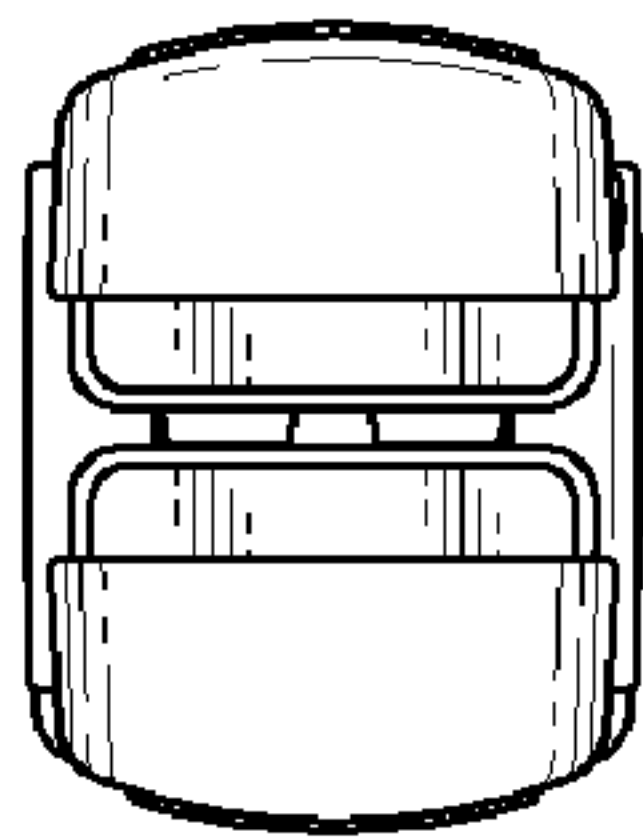
D485,011 S \* 1/2004 Nam ..... D28/35

**1 Claim, 2 Drawing Sheets**

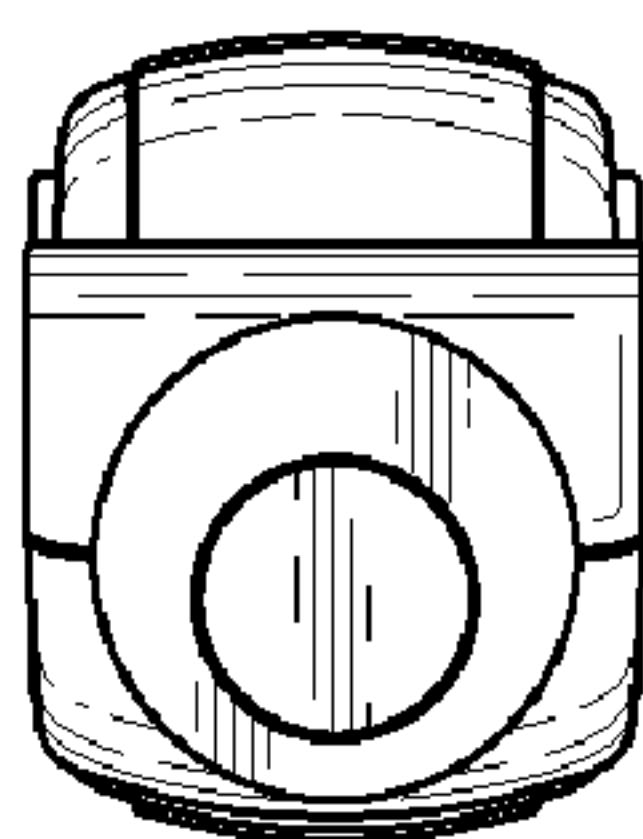




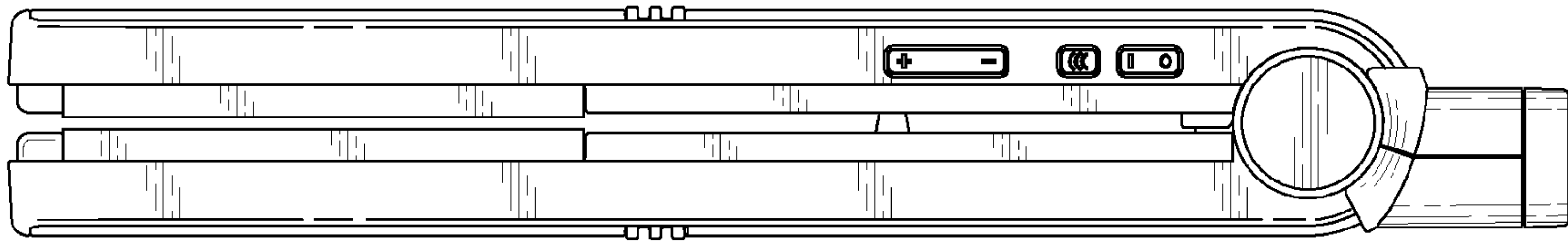
**FIG. 1**



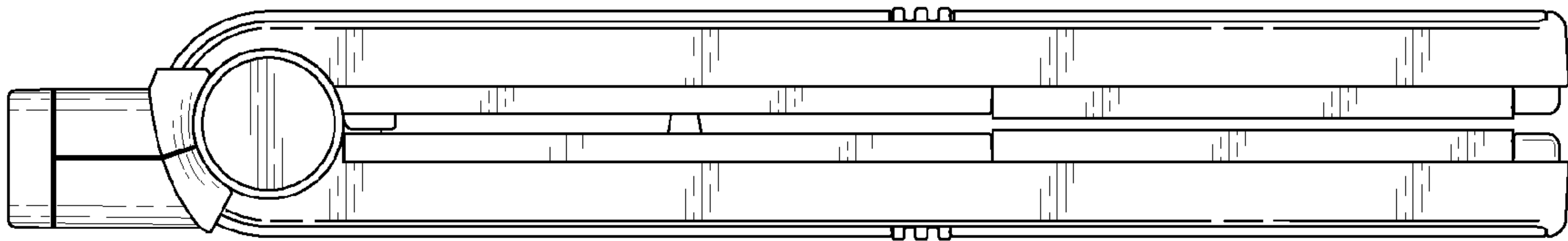
**FIG. 2**



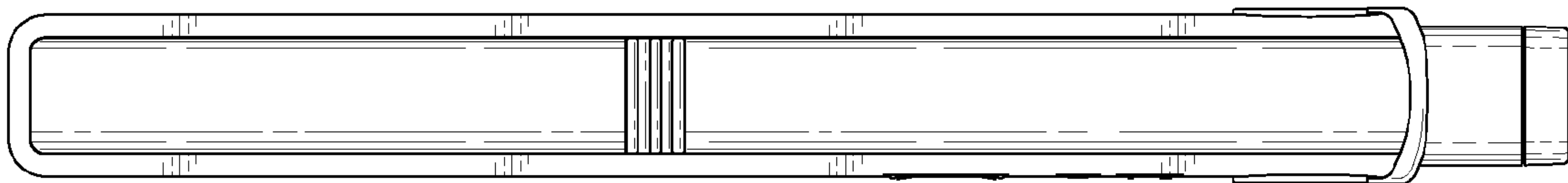
**FIG. 3**



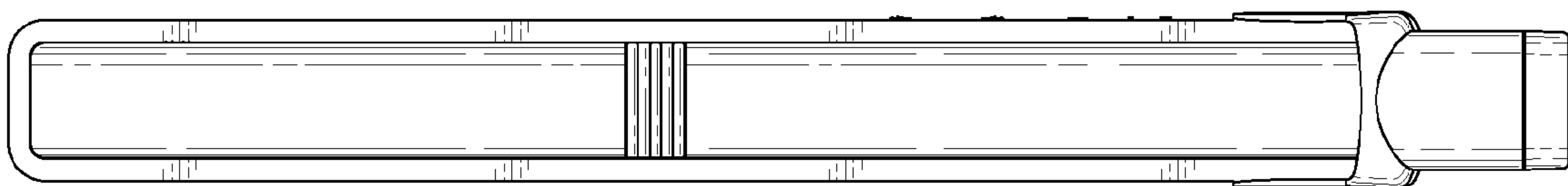
**FIG. 4**



**FIG. 5**



**FIG. 6**



**FIG. 7**