



US00D596795S

(12) **United States Design Patent**
Keong

(10) **Patent No.:** **US D596,795 S**

(45) **Date of Patent:** **** Jul. 21, 2009**

(54) **HAIR STRAIGHTENER**

D514,252 S * 1/2006 Shin D28/35
D570,043 S * 5/2008 Leung D28/35

(75) Inventor: **Wai Ho Michael Keong**, New Territories (HK)

* cited by examiner

(73) Assignee: **Kenford Industrial Co. Ltd.**, New Territories (HK)

Primary Examiner—Jennifer Rivard
(74) *Attorney, Agent, or Firm*—Intellectual Property Law Group LLP; Juneko Jackson; Otto O. Lee

(**) Term: **14 Years**

(21) Appl. No.: **29/331,199**

(57) **CLAIM**

(22) Filed: **Jan. 21, 2009**

The ornamental design for a hair straightener, as shown and described.

(30) **Foreign Application Priority Data**

DESCRIPTION

Jul. 24, 2008 (CN) 2008 3 0211320

(51) **LOC (9) Cl.** **28-03**

(52) **U.S. Cl.** **D28/35**

(58) **Field of Classification Search** 132/222–225,
132/227–229, 236, 245; 219/222, 225–226;
D28/37–38, 35

See application file for complete search history.

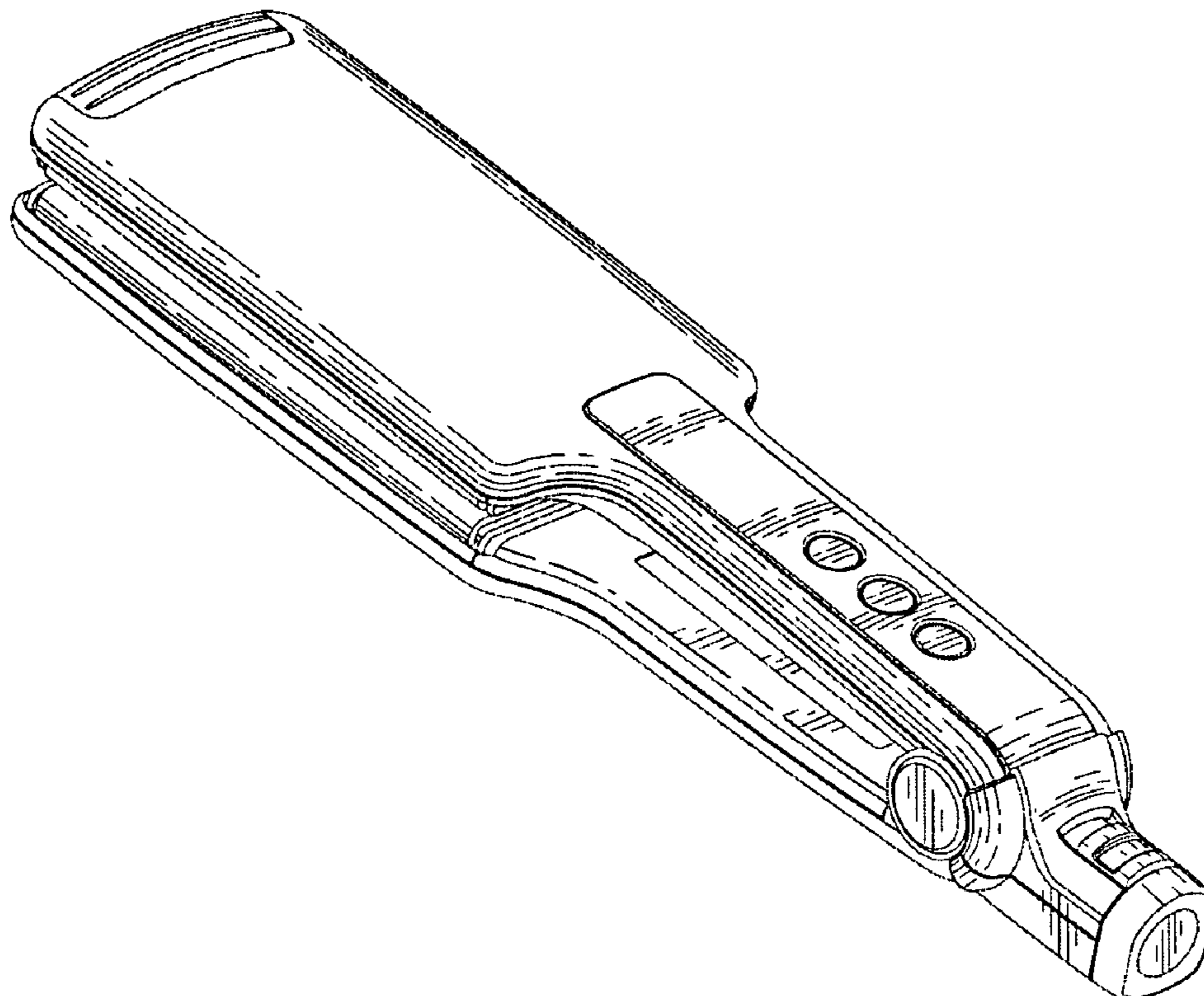
FIG. 1 is a perspective view of a hair straightener, embodying my new design;
FIG. 2 is a left side elevational view thereof;
FIG. 3 is a right side elevational view thereof;
FIG. 4 is a front elevational view thereof; the rear elevational view being a mirror image thereof;
FIG. 5 is a top plan view thereof; and,
FIG. 6 is a bottom plan view thereof.

(56) **References Cited**

U.S. PATENT DOCUMENTS

D480,176 S * 9/2003 Ouellette D28/35

1 Claim, 2 Drawing Sheets



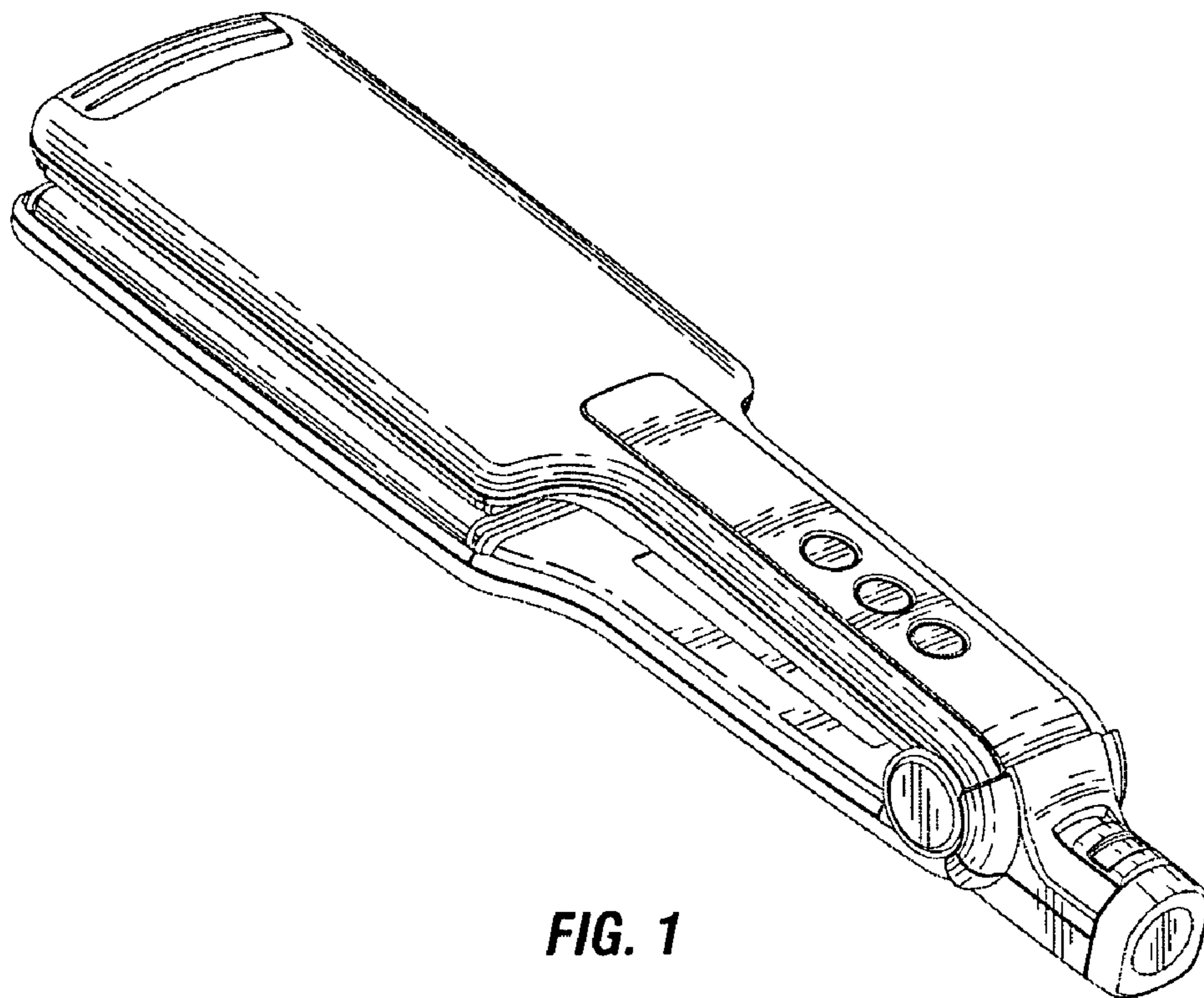


FIG. 1

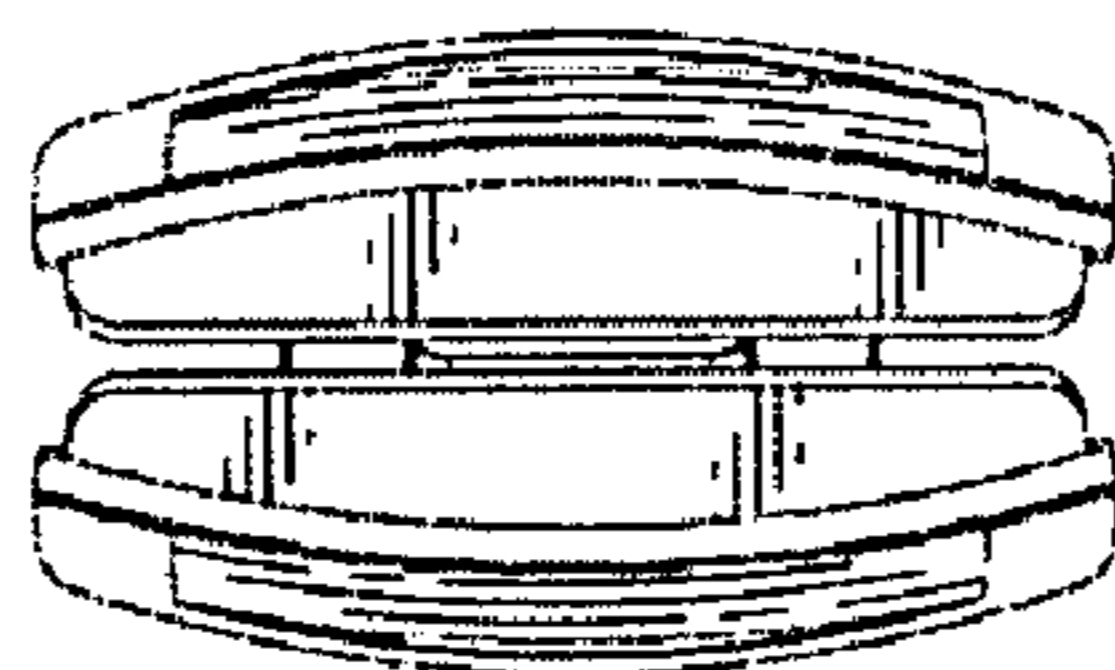


FIG. 2

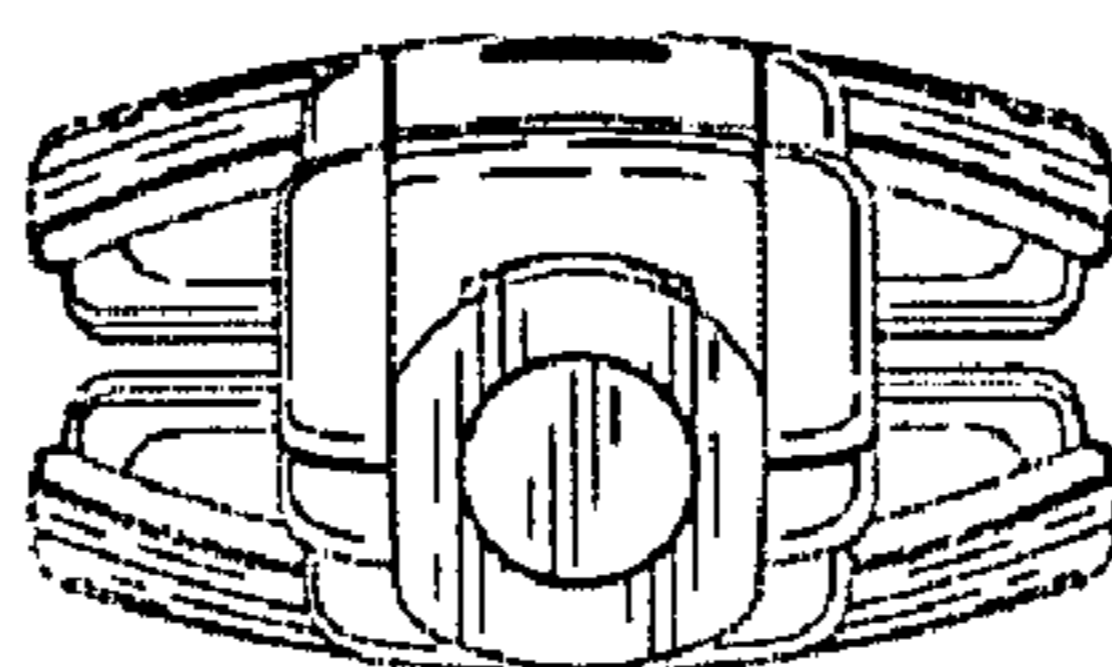


FIG. 3

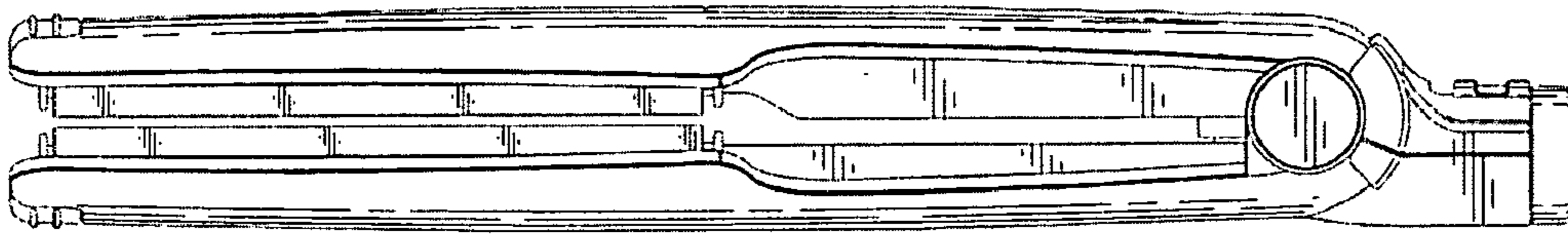


FIG. 4

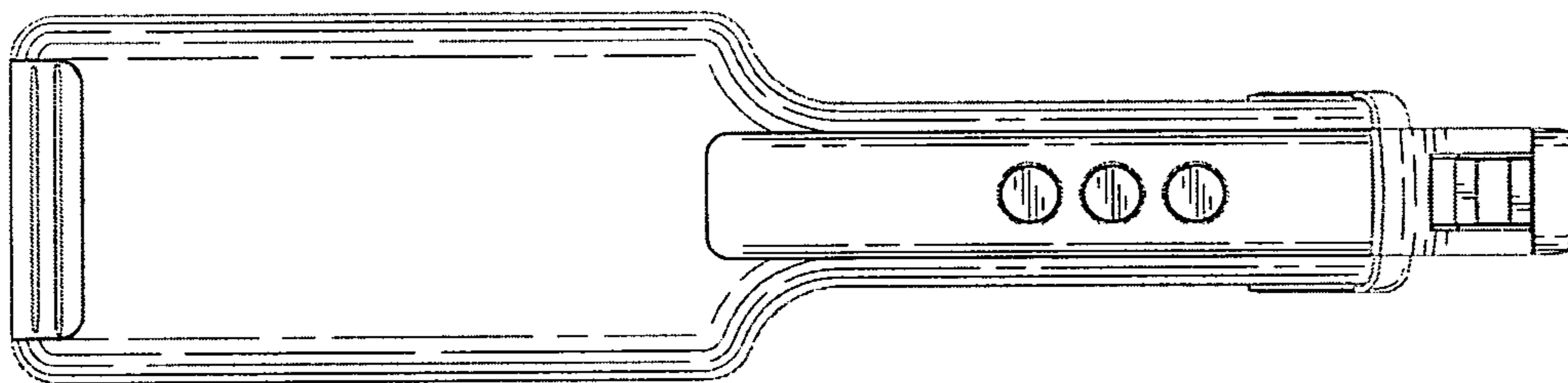


FIG. 5

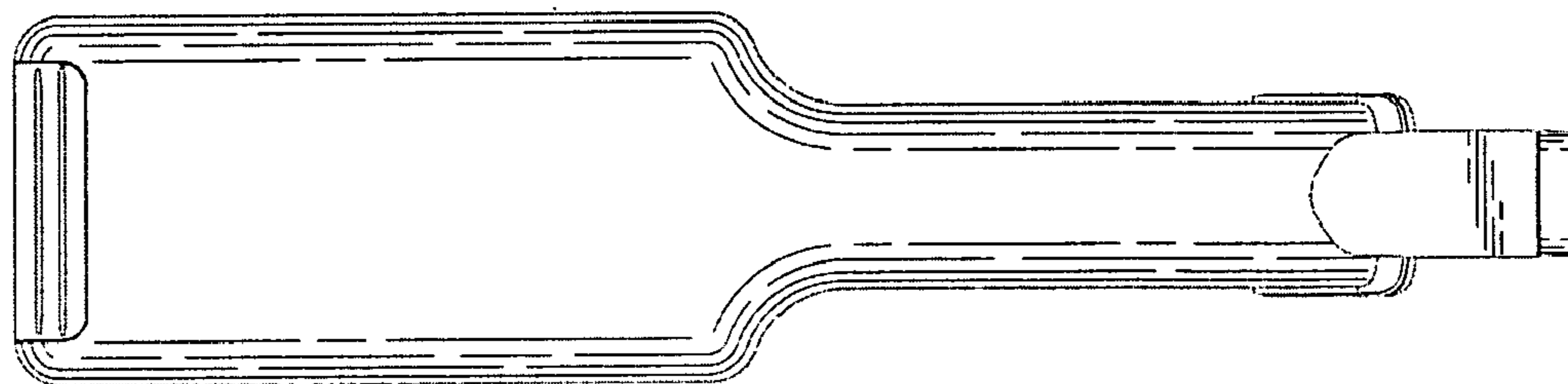


FIG. 6