



US00D596794S

(12) **United States Design Patent**  
**Keong**

(10) **Patent No.:** **US D596,794 S**

(45) **Date of Patent:** **\*\* Jul. 21, 2009**

(54) **HAIR STRAIGHTENER**

(75) Inventor: **Wai Ho Michael Keong**, New Territories (HK)

(73) Assignee: **Kenford Industrial Co., Ltd.**, New Territories (HK)

(\*\*) Term: **14 Years**

(21) Appl. No.: **29/331,198**

(22) Filed: **Jan. 21, 2009**

(30) **Foreign Application Priority Data**

Jul. 24, 2008 (CN) ..... 2008 3 0211323

(51) **LOC (9) Cl.** ..... **28-03**

(52) **U.S. Cl.** ..... **D28/35**

(58) **Field of Classification Search** ..... 132/222-225, 132/227-229, 236, 245; 219/222, 225-226; D28/37-38, 35

See application file for complete search history.

(56) **References Cited**

**U.S. PATENT DOCUMENTS**

D485,011 S \* 1/2004 Nam ..... D28/35

D511,023 S \* 10/2005 Cho ..... D28/35

D535,437 S \* 1/2007 Ceva ..... D28/35  
D543,314 S \* 5/2007 Morgandi ..... D28/35  
D544,646 S \* 6/2007 Overend ..... D28/35  
D559,447 S \* 1/2008 Leung ..... D28/35  
D570,044 S \* 5/2008 Leung ..... D28/35  
D575,453 S \* 8/2008 Overend ..... D28/35

\* cited by examiner

*Primary Examiner*—Jennifer Rivard

(74) *Attorney, Agent, or Firm*—Intellectual Property Law Group LLP; Juneko Jackson; Otto O. Lee

(57) **CLAIM**

The ornamental design for a hair straightener, as shown and described.

**DESCRIPTION**

FIG. 1 is a perspective view of a hair straightener, embodying my new design;

FIG. 2 is a left side elevational view thereof;

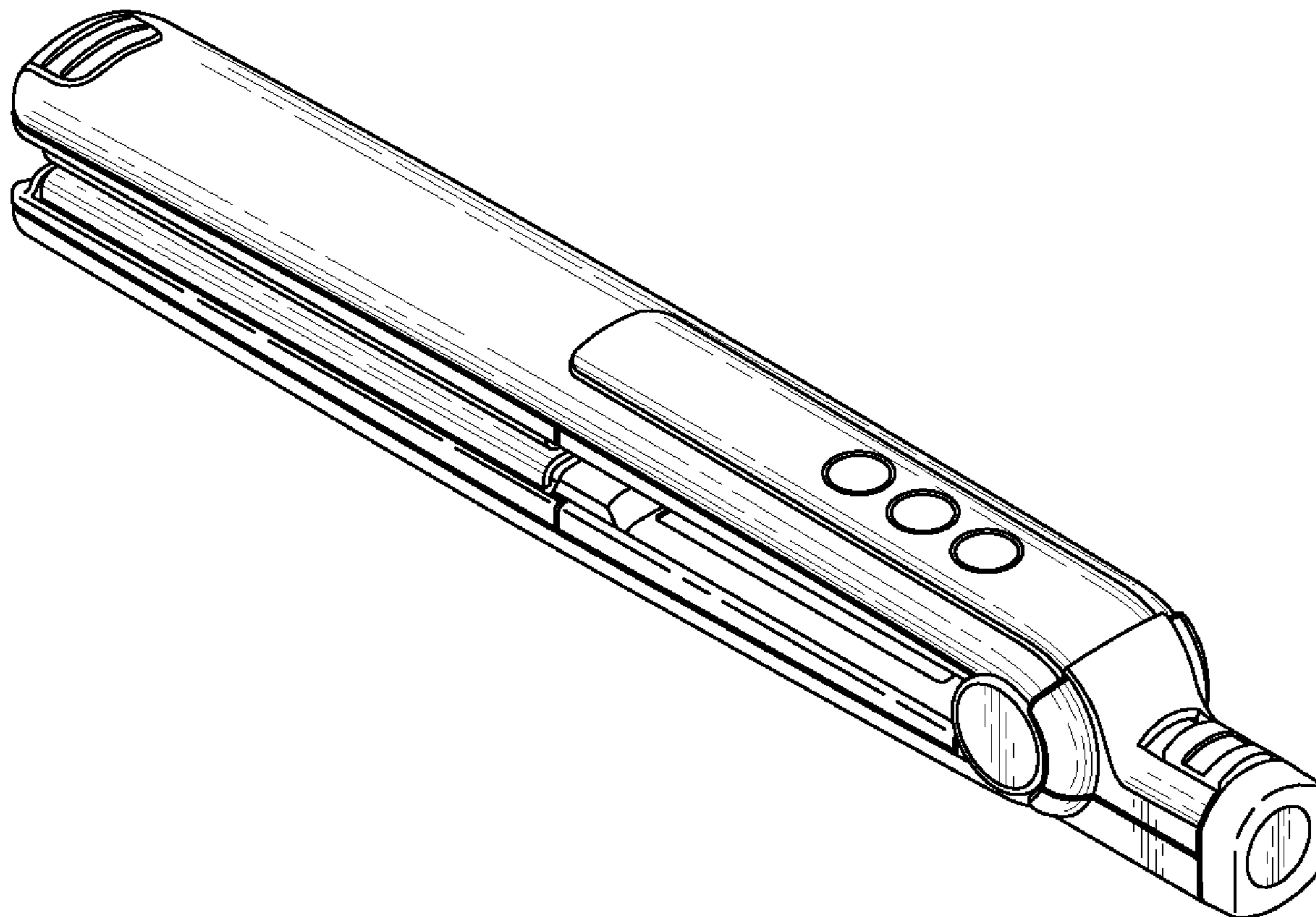
FIG. 3 is a right side elevational view thereof;

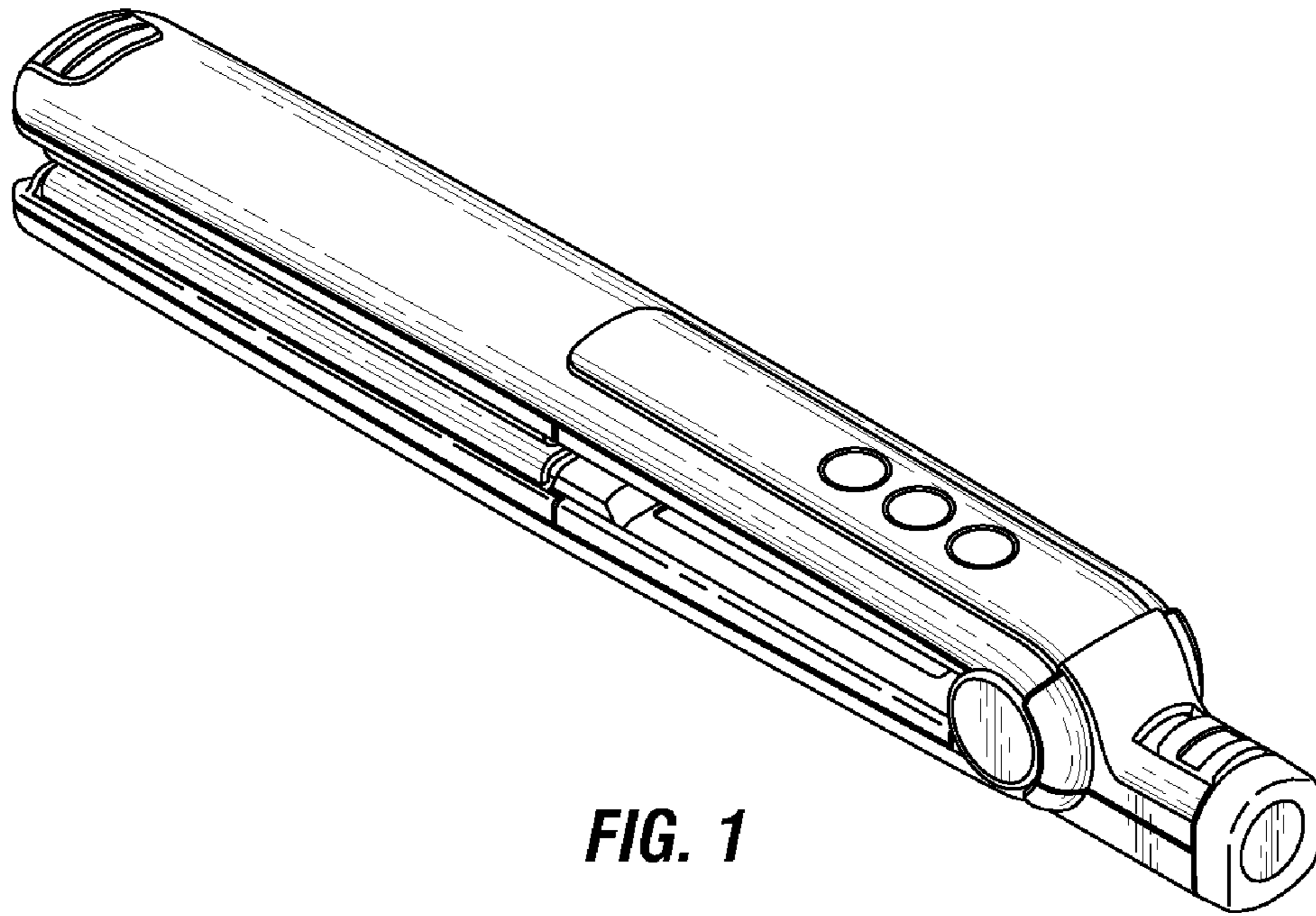
FIG. 4 is a front elevational view thereof; the rear elevational view being a mirror image thereof;

FIG. 5 is a top plan view thereof; and,

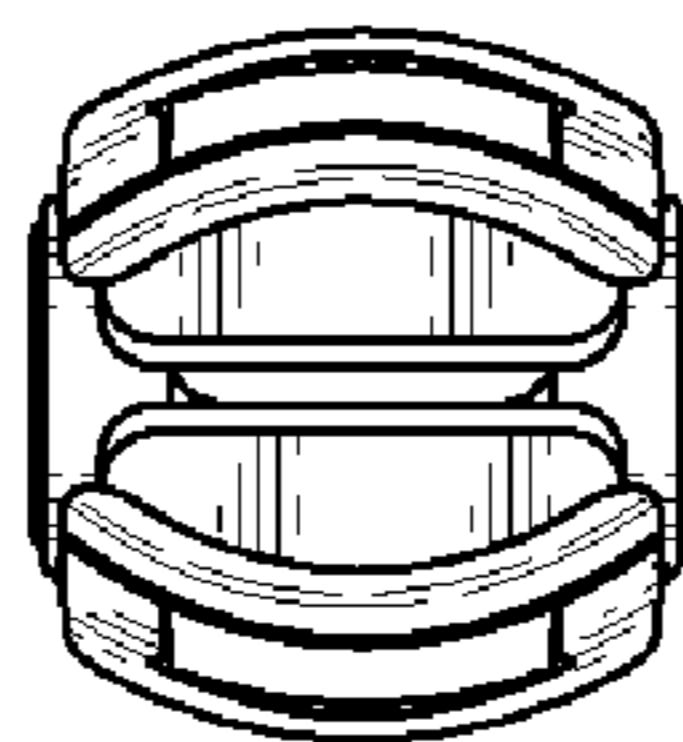
FIG. 6 is a bottom plan view thereof.

**1 Claim, 2 Drawing Sheets**

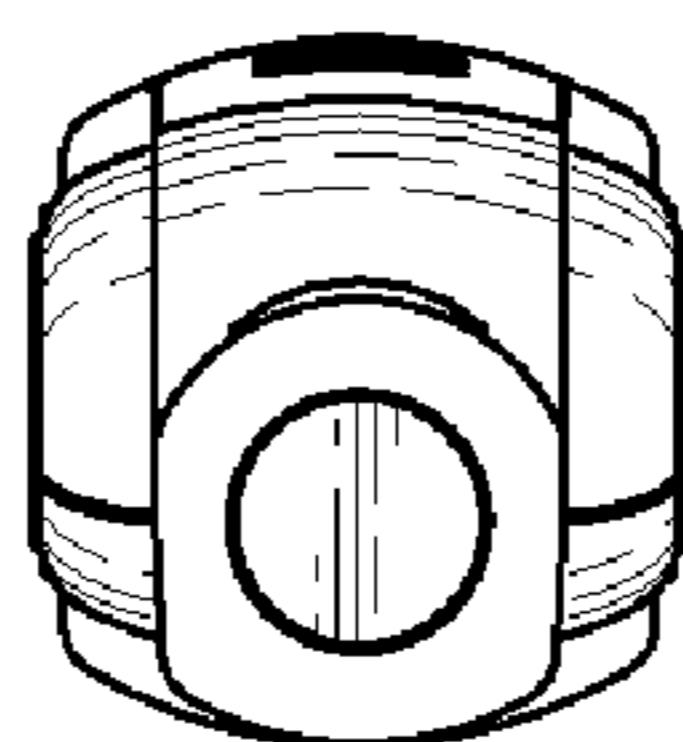




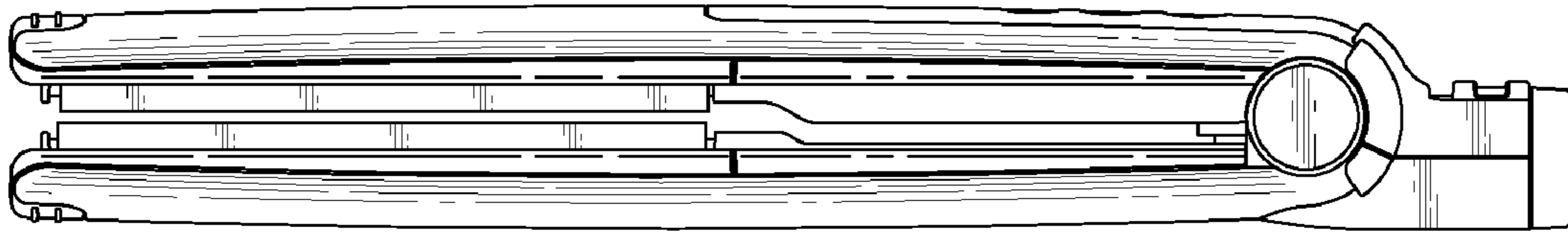
**FIG. 1**



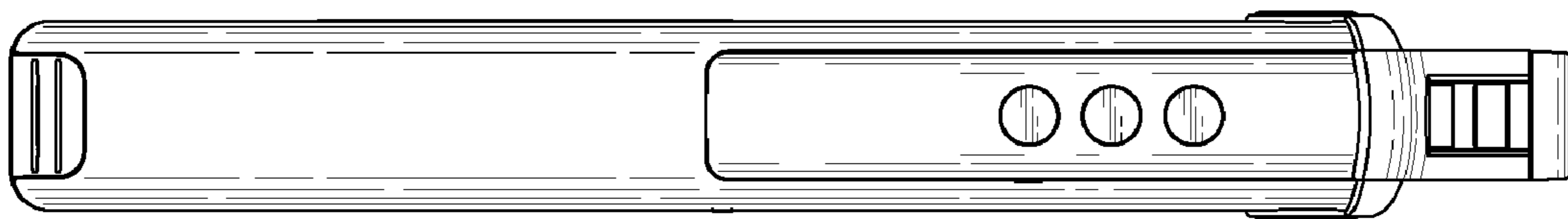
**FIG. 2**



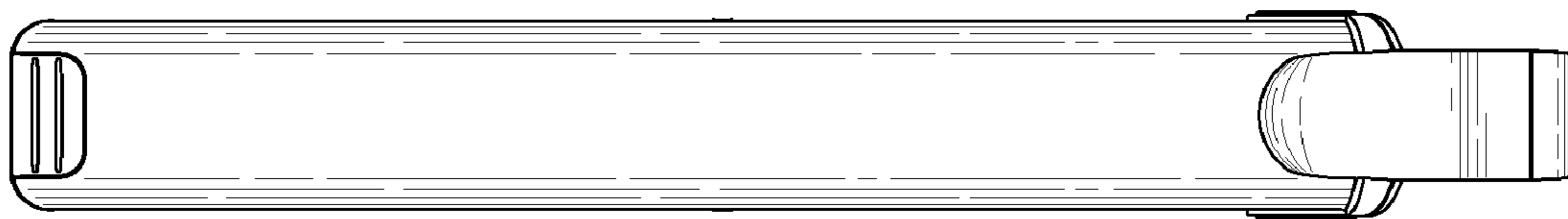
**FIG. 3**



**FIG. 4**



**FIG. 5**



**FIG. 6**