



US00D596792S

(12) **United States Design Patent**
Kwok

(10) **Patent No.:** **US D596,792 S**
(45) **Date of Patent:** **** Jul. 21, 2009**

(54) **CURLING TONG**

D534,683 S * 1/2007 Rizzuto, Jr. D28/35
D580,097 S * 11/2008 Leung D28/35

(75) Inventor: **Kin Sun Kwok**, New Territories (HK)

* cited by examiner

(73) Assignee: **Kenford Industrial Co., Ltd.**, New Territories (HK)

Primary Examiner—Jennifer Rivard
(74) *Attorney, Agent, or Firm*—Intellectual Property Law Group LLP; Otto O. Lee; Juneko Jackson

(**) Term: **14 Years**

(21) Appl. No.: **29/331,064**

(57) **CLAIM**

(22) Filed: **Jan. 19, 2009**

The ornamental design for a curling tong, as shown and described.

(30) **Foreign Application Priority Data**

DESCRIPTION

Jul. 24, 2008 (CN) 2008 3 0211319

(51) **LOC (9) Cl.** **28-03**

FIG. 1 is a perspective view of a curling tong embodying my new design;

(52) **U.S. Cl.** **D28/35**

FIG. 2 is a front elevational view thereof; the rear elevational view being a mirror image thereof;

(58) **Field of Classification Search** 132/222–225, 132/227–229, 236, 245; 219/222, 225–226; D28/37–38, 35

FIG. 3 is a left side elevational view thereof;

See application file for complete search history.

FIG. 4 is a right side elevational view thereof;

(56) **References Cited**

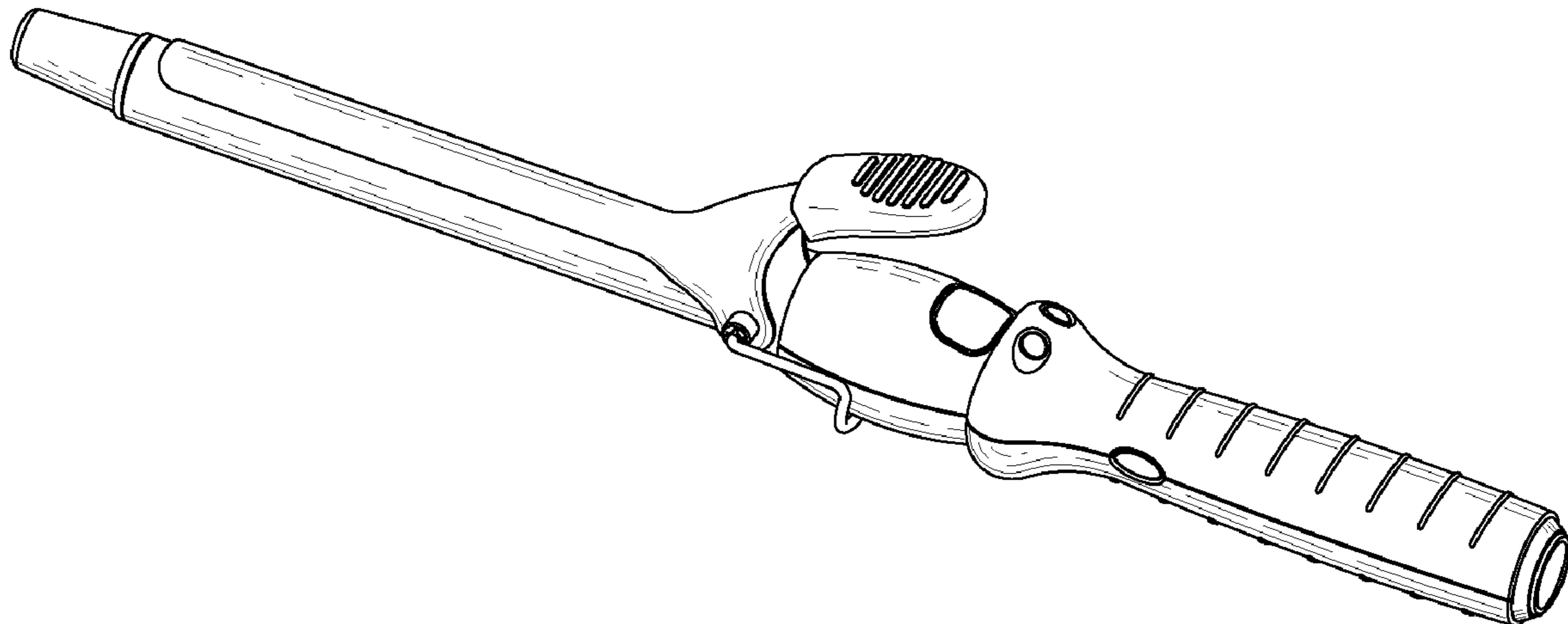
FIG. 5 is a top plan view thereof; and,

U.S. PATENT DOCUMENTS

FIG. 6 is a bottom plan view thereof.

D314,444 S * 2/1991 Ho D28/35

1 Claim, 2 Drawing Sheets



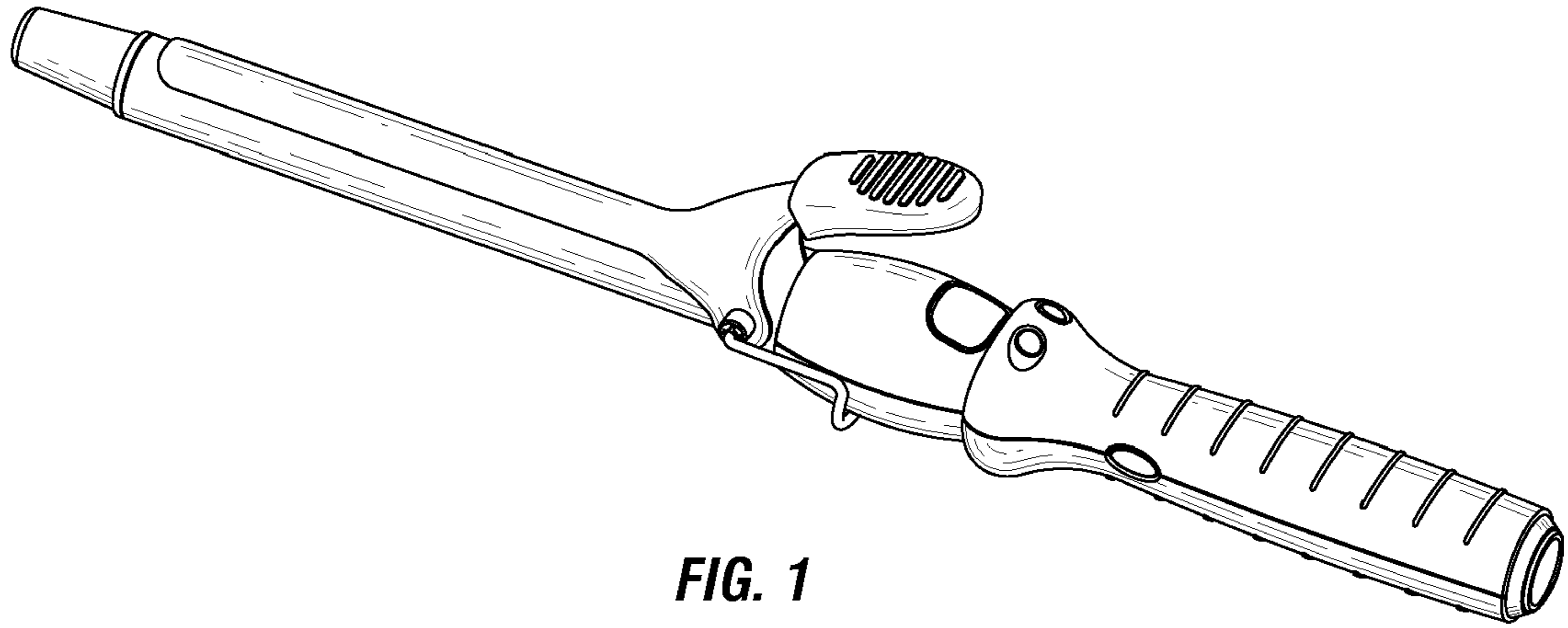


FIG. 1

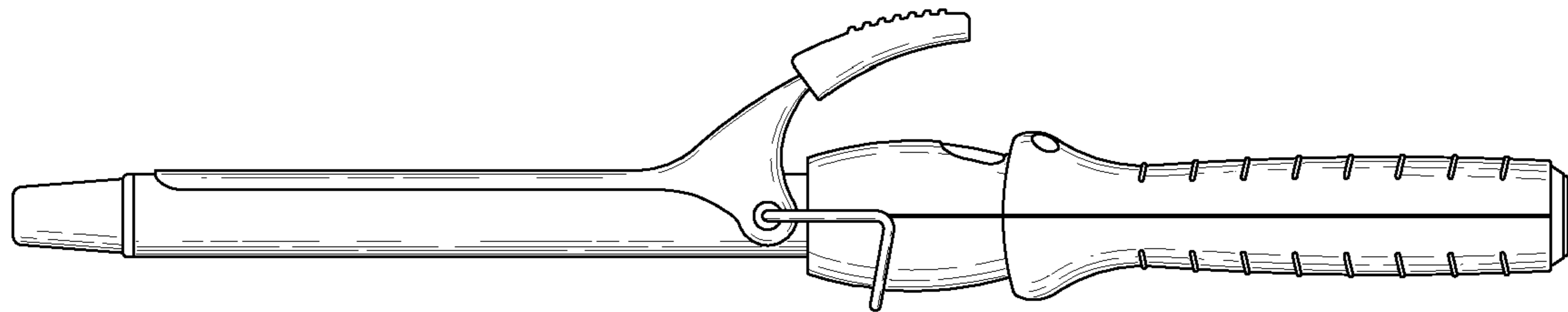


FIG. 2

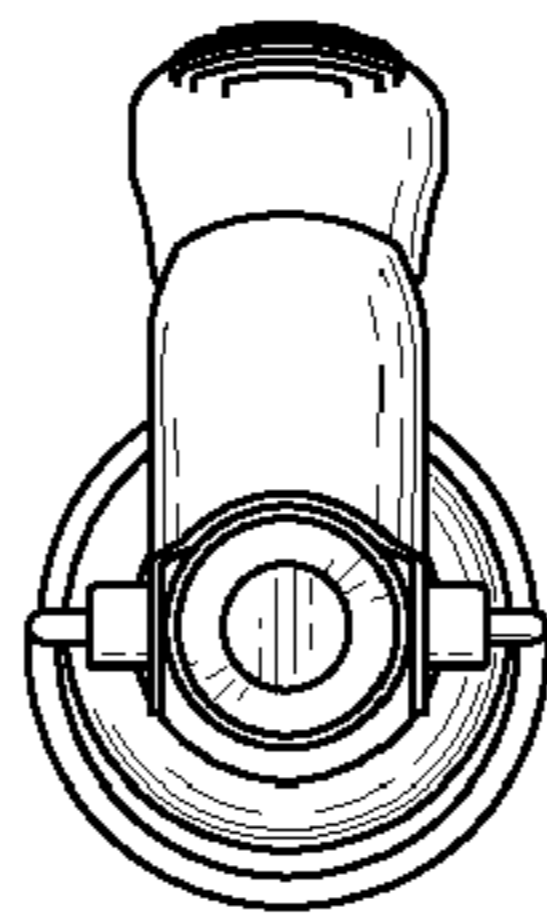


FIG. 3

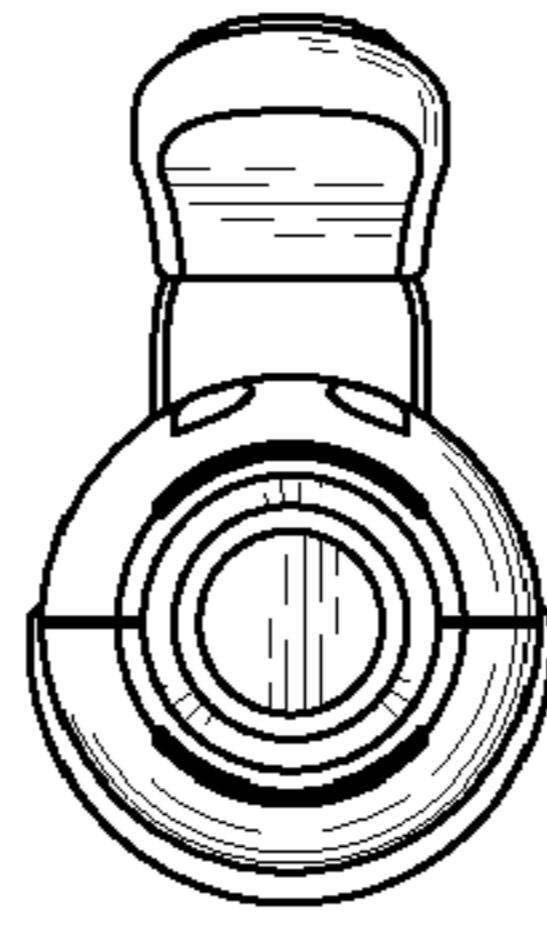


FIG. 4

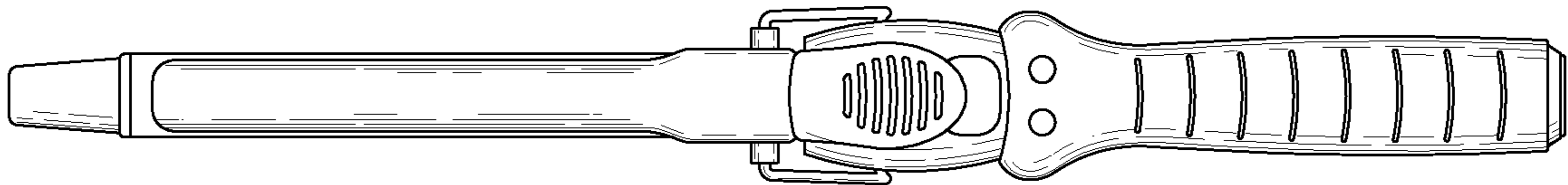


FIG. 5

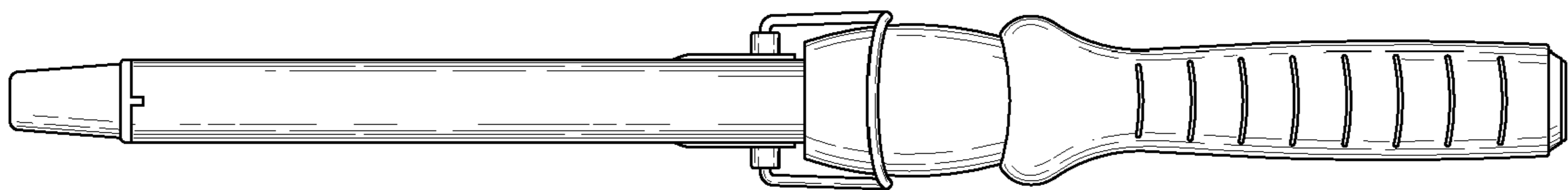


FIG. 6