

US00D596791S

(12) **United States Design Patent**
Russo

(10) **Patent No.:** **US D596,791 S**

(45) **Date of Patent:** **** Jul. 21, 2009**

(54) **HAIR STYLING IRON**

(75) Inventor: **Kenneth Russo**, Westport, CT (US)

(73) Assignee: **Conair Corporation**, Stamford, CT (US)

(**) Term: **14 Years**

(21) Appl. No.: **29/323,932**

(22) Filed: **Sep. 3, 2008**

(51) **LOC (9) Cl.** **28-03**

(52) **U.S. Cl.** **D28/35**

(58) **Field of Classification Search** 132/222–225,
132/227–229, 236, 245; 219/222, 225–226;
D28/37–38, 35

See application file for complete search history.

(56) **References Cited**

U.S. PATENT DOCUMENTS

D511,023 S *	10/2005	Cho	D28/35
D514,252 S *	1/2006	Shin	D28/35
D544,646 S *	6/2007	Overend	D28/35

* cited by examiner

Primary Examiner—Jennifer Rivard
(74) *Attorney, Agent, or Firm*—Lawrence Cruz

(57) **CLAIM**

The ornamental design for a hair styling iron, as shown and described.

DESCRIPTION

FIG. 1 is a perspective view of a hair styling iron showing a new design;

FIG. 2 is a top view thereof;

FIG. 3 is a bottom view thereof;

FIG. 4 is a right side view thereof;

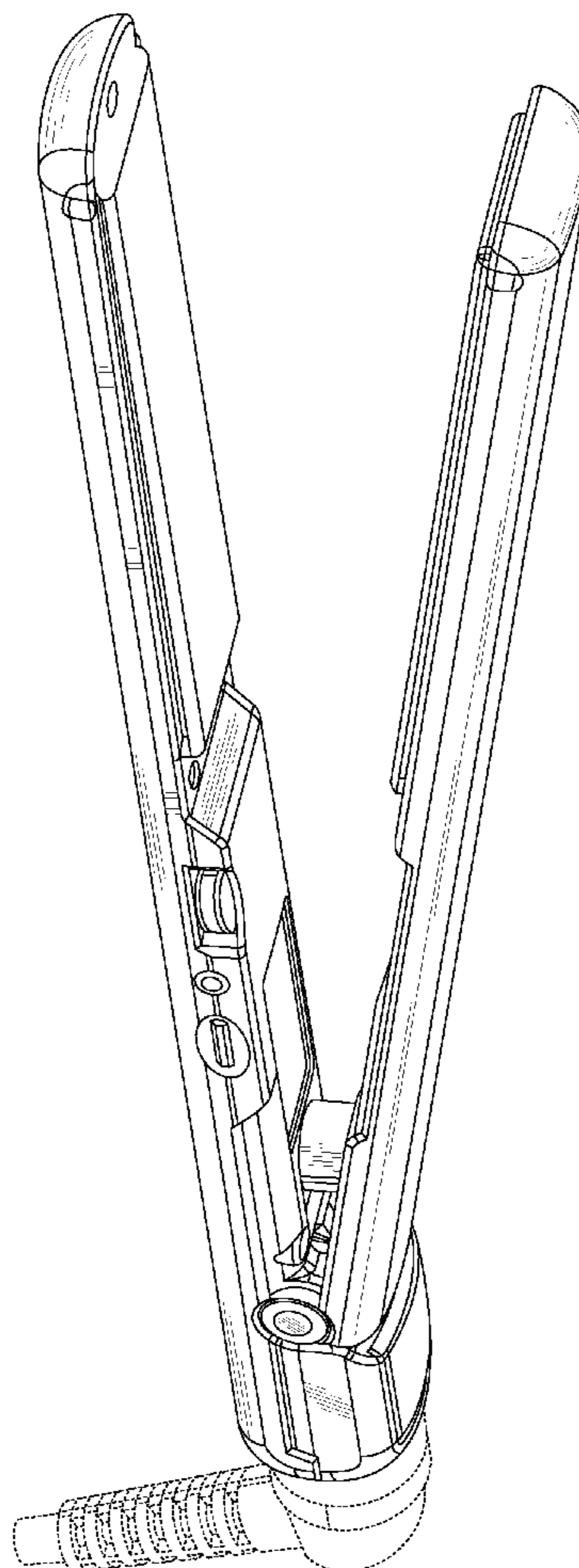
FIG. 5 is a left side view thereof;

FIG. 6 is a back view thereof; and,

FIG. 7 is a front view thereof.

The broken lines illustrate portions of the hair styling iron and form no part of the claimed design.

1 Claim, 6 Drawing Sheets



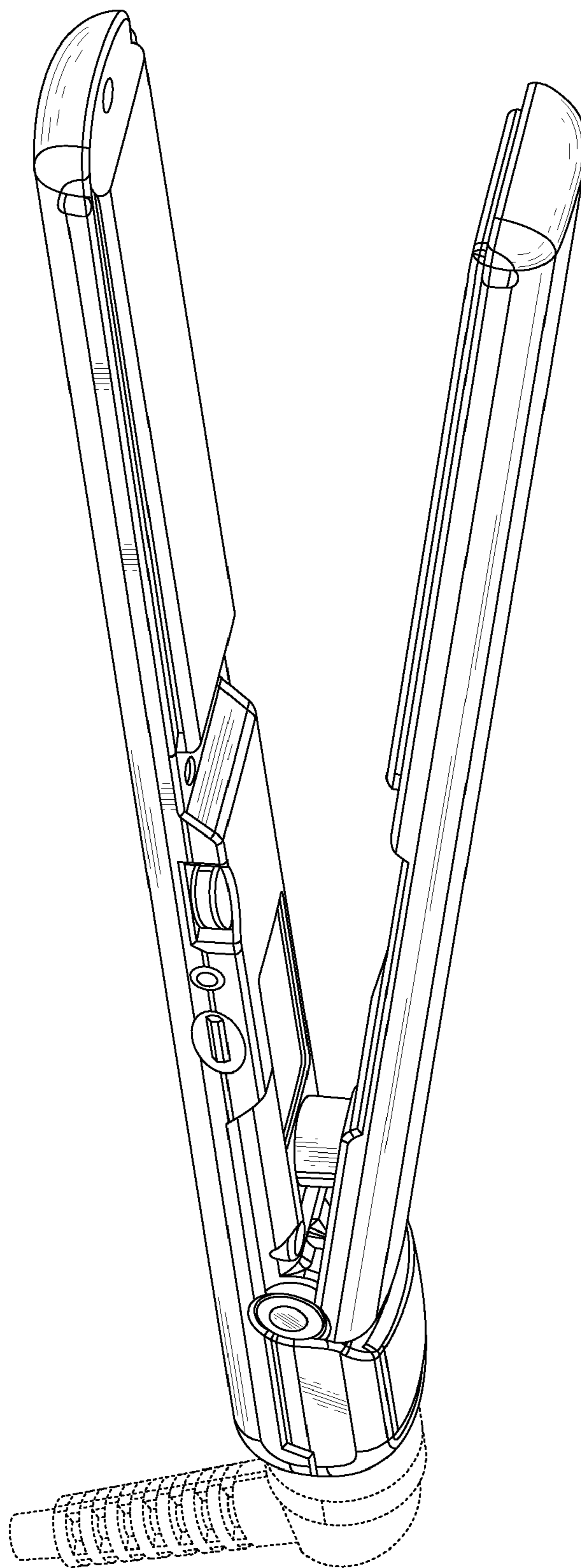


FIG. 1

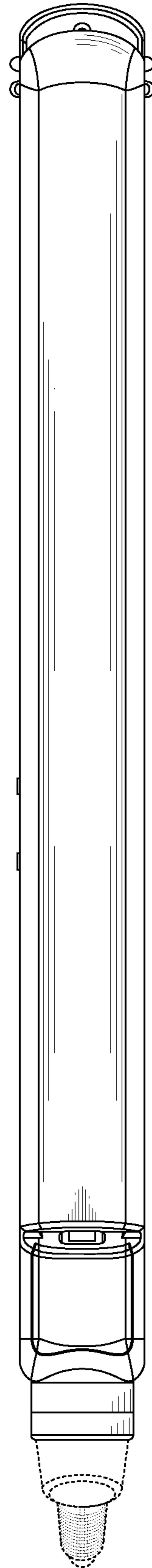


FIG. 2

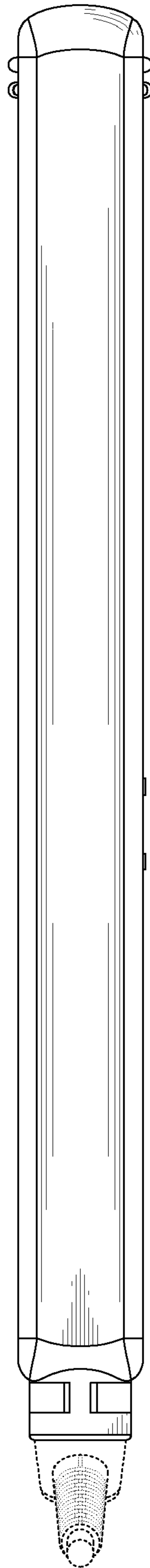


FIG. 3

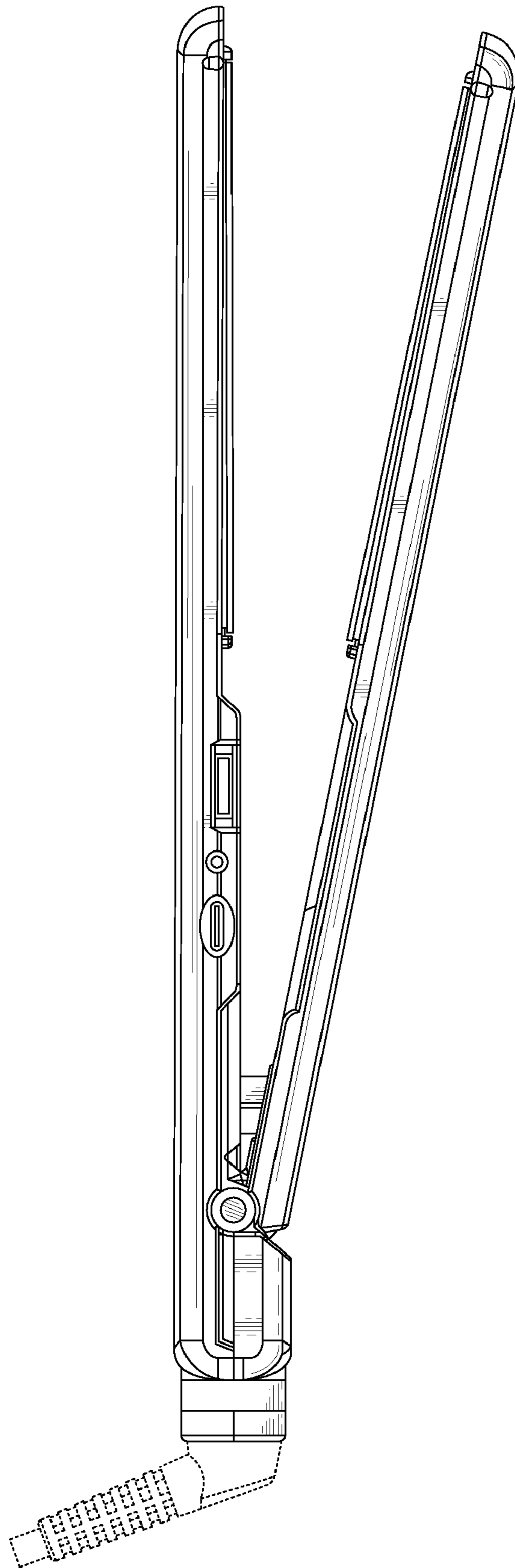


FIG. 4

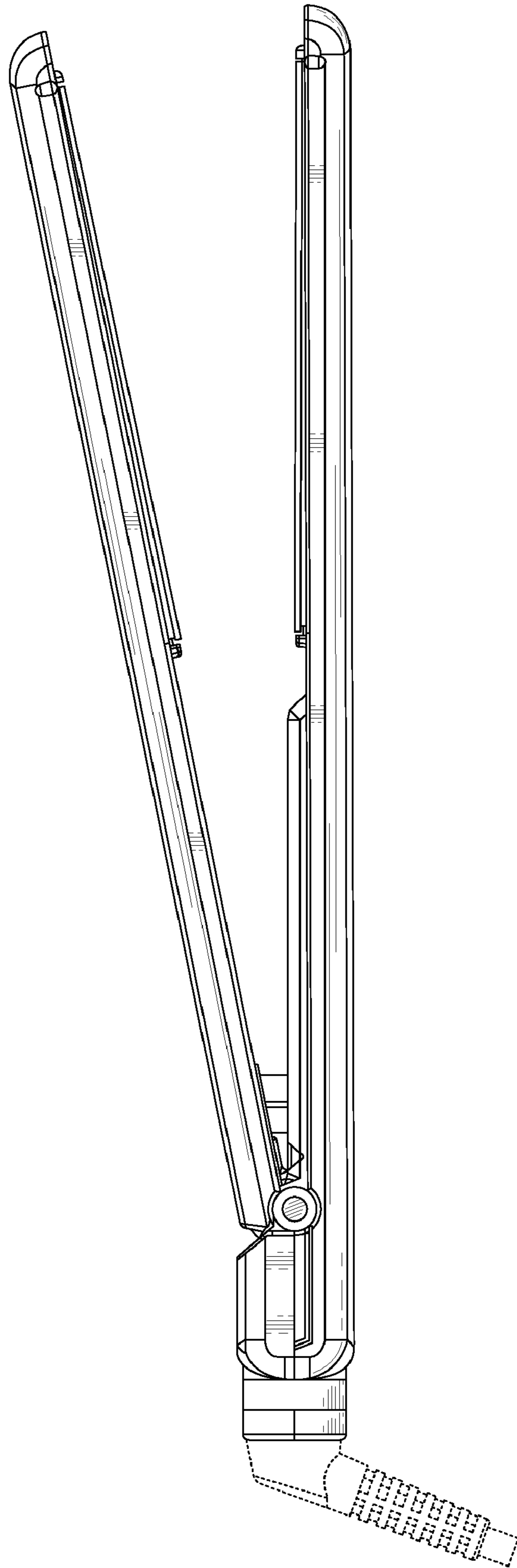


FIG. 5

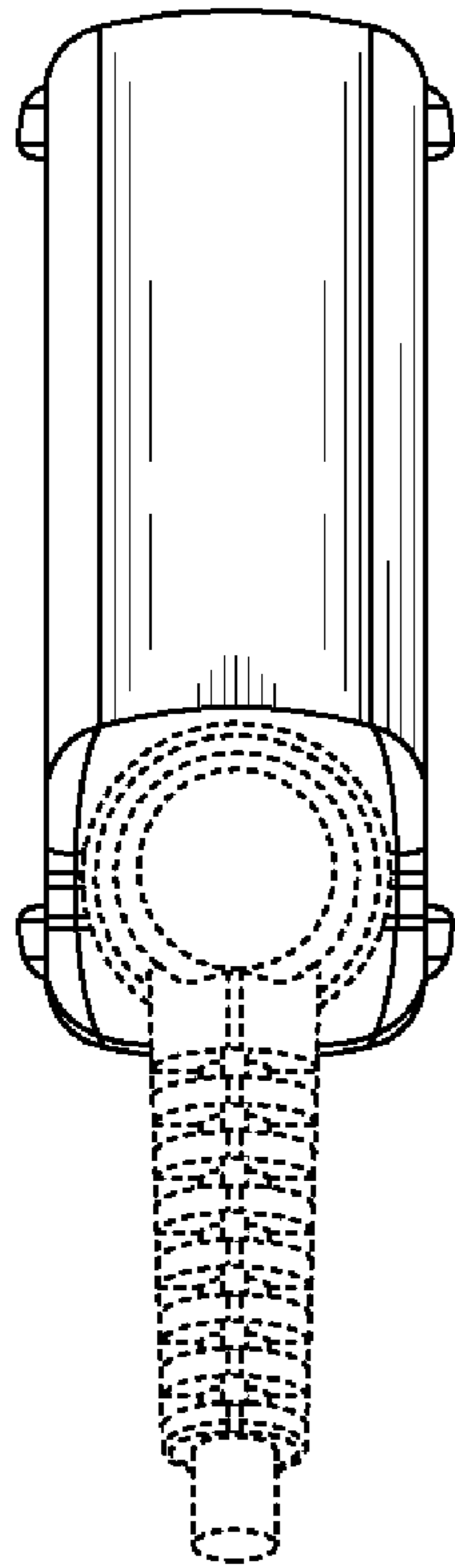


FIG. 6

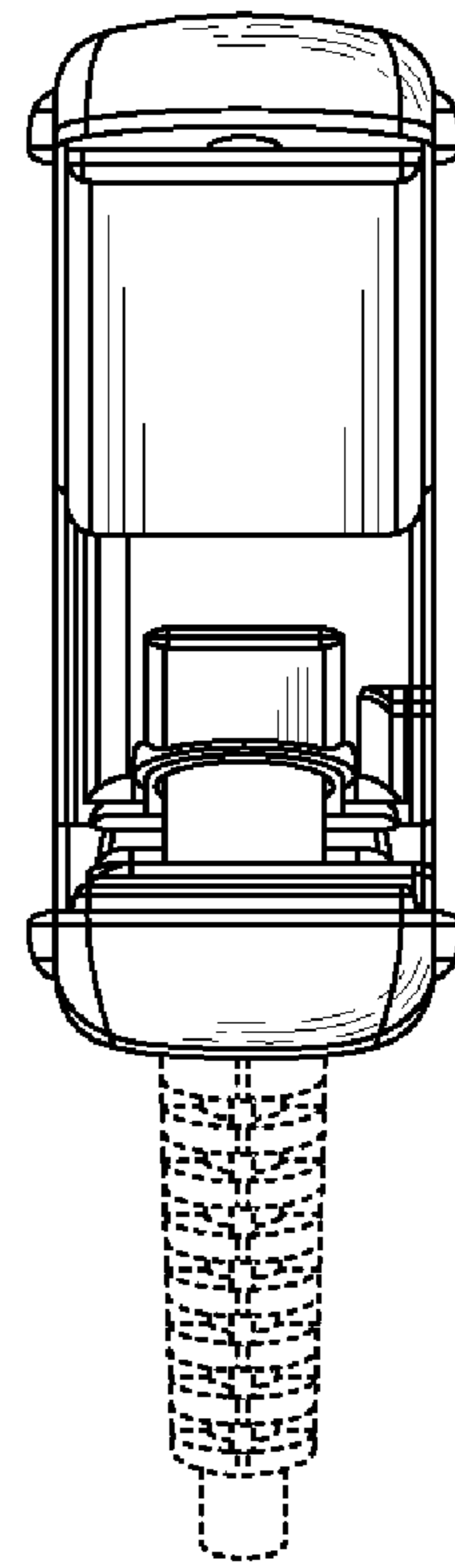


FIG. 7