



US00D596790S

(12) **United States Design Patent**
Rizzuto

(10) **Patent No.:** **US D596,790 S**

(45) **Date of Patent:** **** Jul. 21, 2009**

(54) **HAIR STYLING IRON**

D538,977 S * 3/2007 Shin D28/35

* cited by examiner

(75) Inventor: **Leandro P. Rizzuto**, Sheridan, WY (US)

Primary Examiner—Jennifer Rivard

(73) Assignee: **Conair Corporation**, Stamford, CT (US)

(74) *Attorney, Agent, or Firm*—Lawrence Cruz

(**) Term: **14 Years**

(57) **CLAIM**

(21) Appl. No.: **29/323,922**

The ornamental design for a hair styling iron, as shown and described.

(22) Filed: **Sep. 3, 2008**

DESCRIPTION

(51) **LOC (9) Cl.** **28-03**

FIG. 1 is a perspective view of a hair styling iron showing a new design;

(52) **U.S. Cl.** **D28/35**

FIG. 2 is a top view thereof;

(58) **Field of Classification Search** 132/222–225,
132/227–229, 236, 245; 219/222, 225–226;
D28/37–38, 35

FIG. 3 is a bottom view thereof;

FIG. 4 is a left side view thereof;

See application file for complete search history.

FIG. 5 is a right side view thereof;

FIG. 6 is a back view thereof; and,

FIG. 7 is a front view thereof.

(56) **References Cited**

The broken lines illustrate portions of the hair styling iron and form no part of the claimed design.

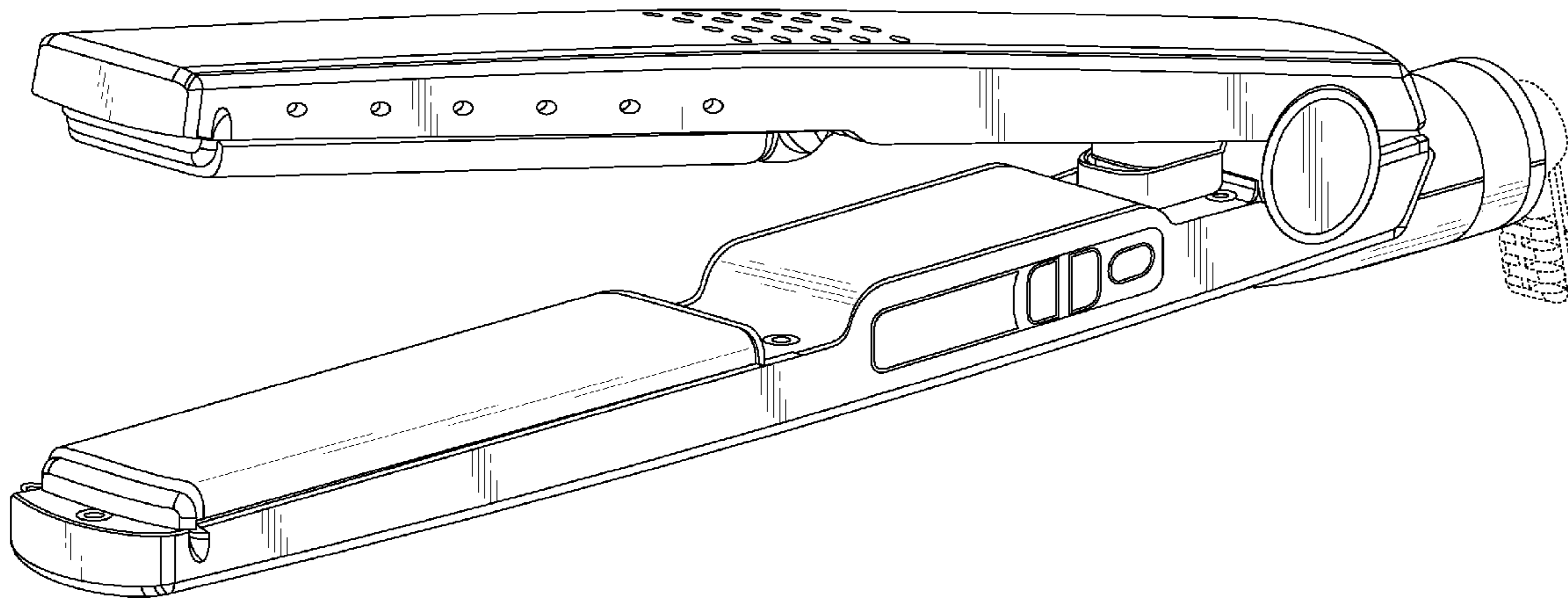
U.S. PATENT DOCUMENTS

D514,252 S * 1/2006 Shin D28/35

D535,437 S * 1/2007 Ceva D28/35

D537,983 S * 3/2007 Shin D28/35

1 Claim, 6 Drawing Sheets



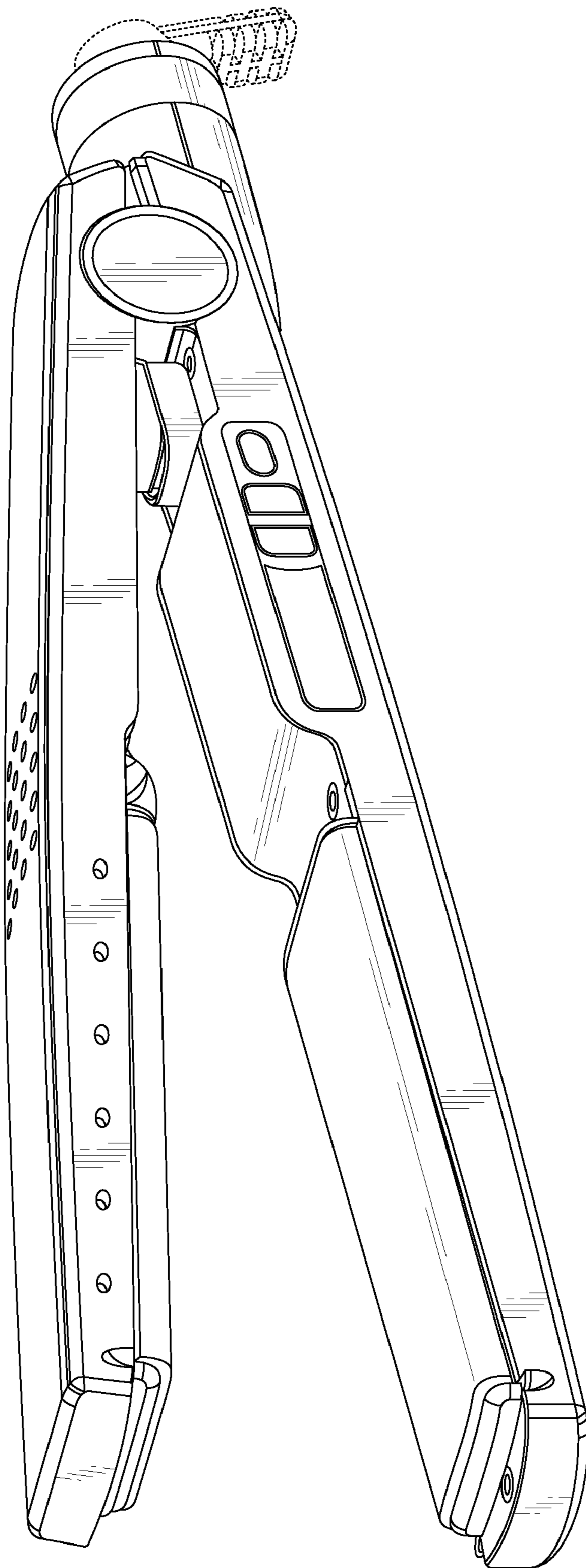


FIG. 1

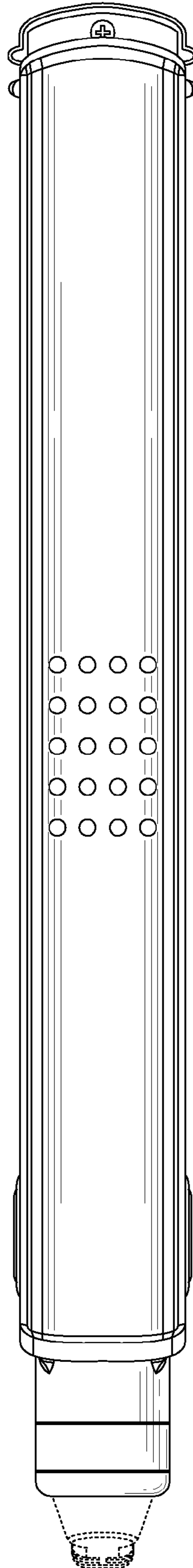


FIG. 2

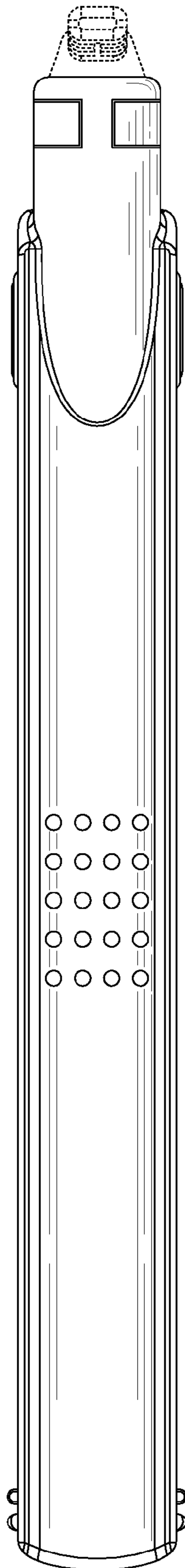


FIG. 3

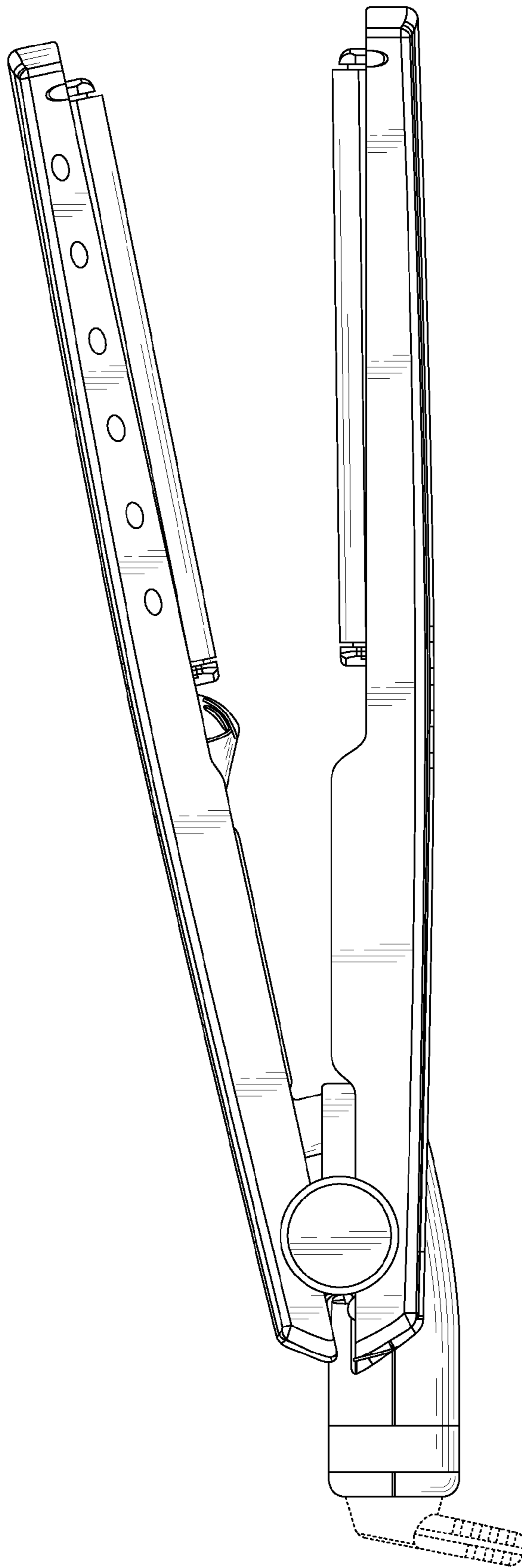


FIG. 4

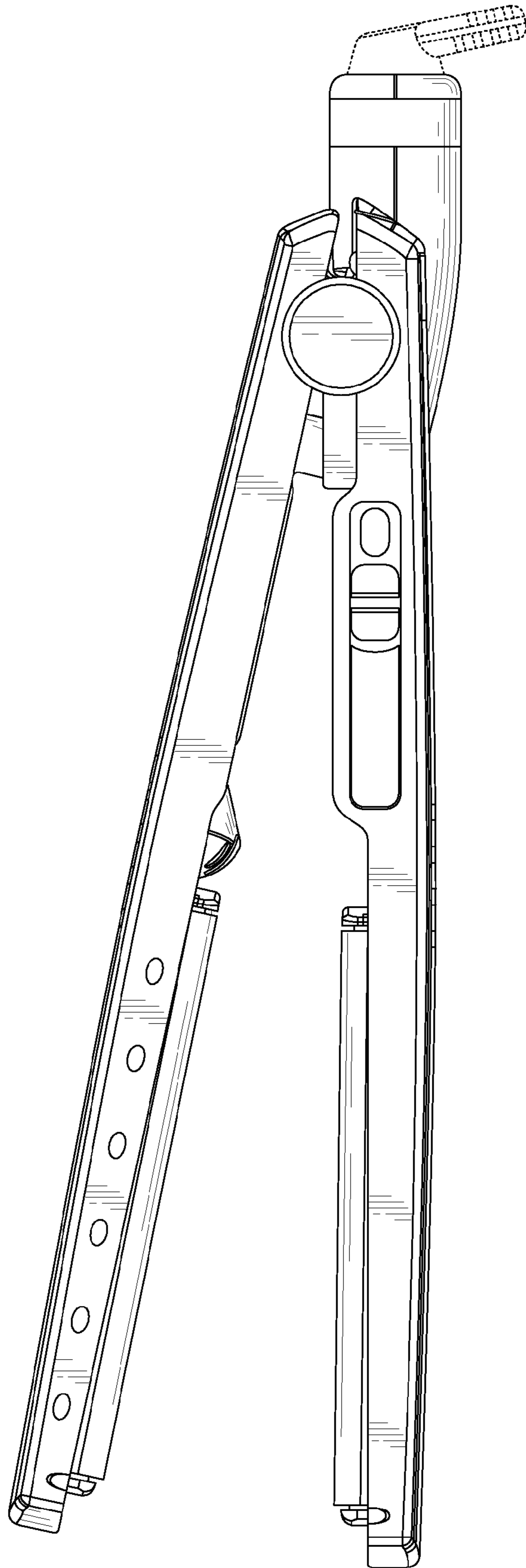


FIG. 5

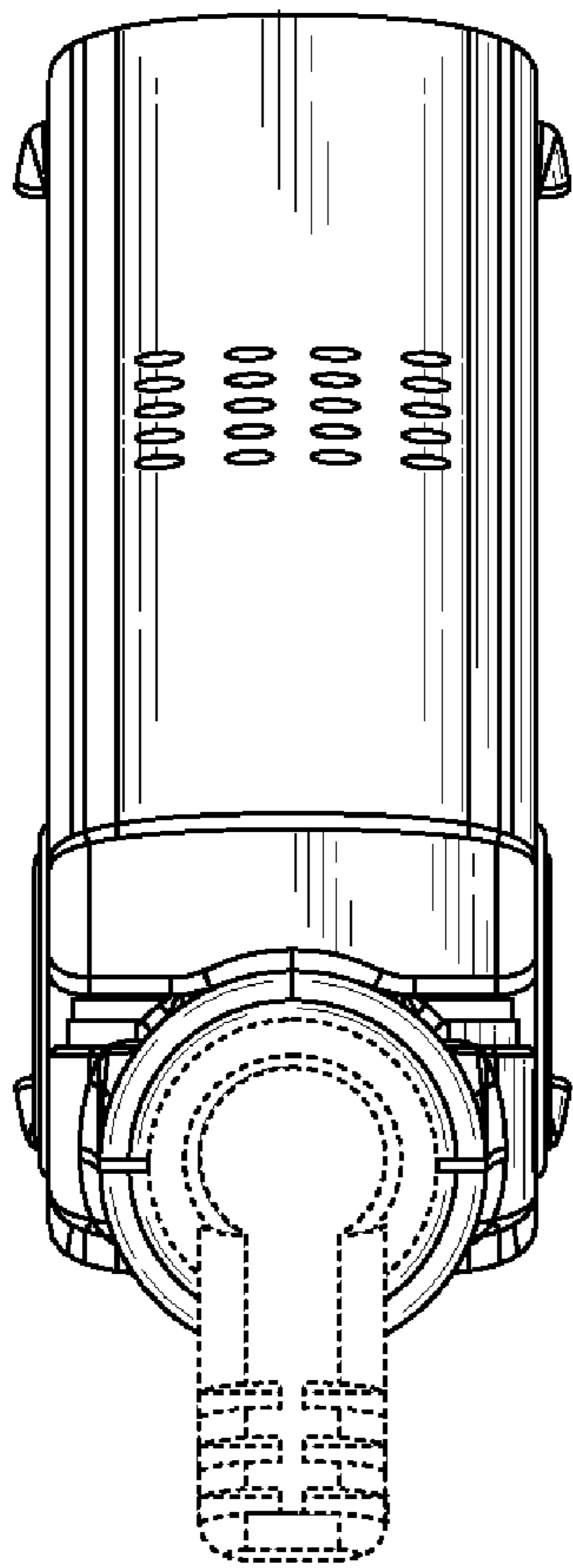


FIG. 6

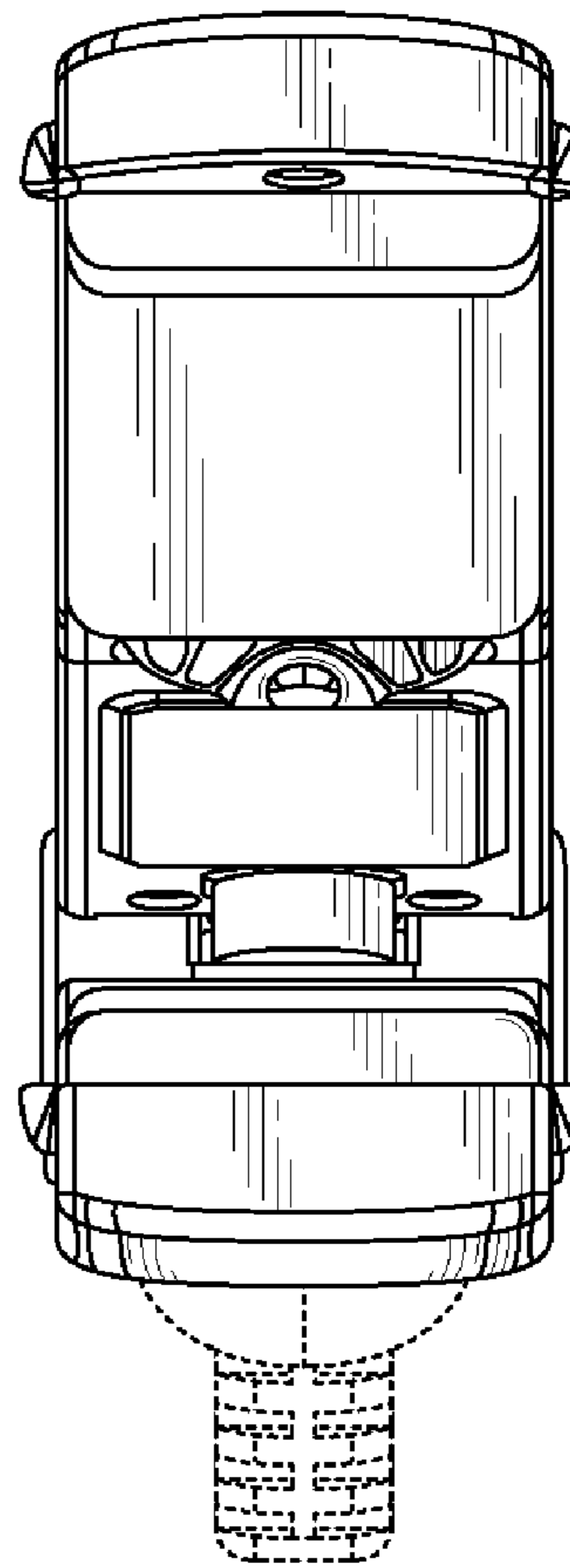


FIG. 7