



US00D596787S

(12) **United States Design Patent**
Hearn

(10) **Patent No.:** **US D596,787 S**

(45) **Date of Patent:** **** Jul. 21, 2009**

(54) **REFILL PACK FOR A SIMULATED CIGARETTE DEVICE**

(75) Inventor: **Alex Hearn**, London (GB)

(73) Assignee: **Kind Group Limited**, London (GB)

(**) Term: **14 Years**

(21) Appl. No.: **29/298,210**

(22) Filed: **Nov. 30, 2007**

(30) **Foreign Application Priority Data**

May 31, 2007	(EM)	000734678/0001
May 31, 2007	(EM)	000734678/0002
May 31, 2007	(EM)	000734678/0003
May 31, 2007	(EM)	000734678/0004
May 31, 2007	(EM)	000734678/0005

(51) **LOC (9) Cl.** **27-06**

(52) **U.S. Cl.** **D27/189; D9/432**

(58) **Field of Classification Search** D27/185-189;
206/236-241, 249-251, 254-258, 259, 261-275;
D9/430, 432; 229/160.1

See application file for complete search history.

(56) **References Cited**

U.S. PATENT DOCUMENTS

2,155,613	A *	4/1939	Negbaur et al.	206/259
2,983,424	A *	5/1961	Glass	229/160.1
3,190,437	A *	6/1965	Tamarin	206/264
3,446,338	A *	5/1969	Bozyk	206/268
3,472,362	A *	10/1969	Shinoda	206/266
4,793,478	A *	12/1988	Tudor	206/256

5,503,268	A *	4/1996	Pham	206/249
5,711,423	A *	1/1998	Fuller, Jr.	206/246
6,536,587	B2 *	3/2003	Wachter	206/254
6,604,530	B1 *	8/2003	Rogari et al.	206/267
6,715,605	B1 *	4/2004	Manservigi et al.	206/268
2005/0051443	A1 *	3/2005	Lin	206/259
2005/0092625	A1 *	5/2005	Brizzi et al.	206/242

* cited by examiner

Primary Examiner—Jennifer Rivard

(74) *Attorney, Agent, or Firm*—Patterson & Sheridan, L.L.P.

(57) **CLAIM**

An ornamental design for refill pack for a simulated cigarette device, as shown and described.

DESCRIPTION

FIG. 1 is a perspective view of the embodiment our new design.

FIG. 2 is another perspective view of the embodiment our new design.

FIG. 3 is a front view of the embodiment our new design.

FIG. 4 is a back view of the embodiment our new design.

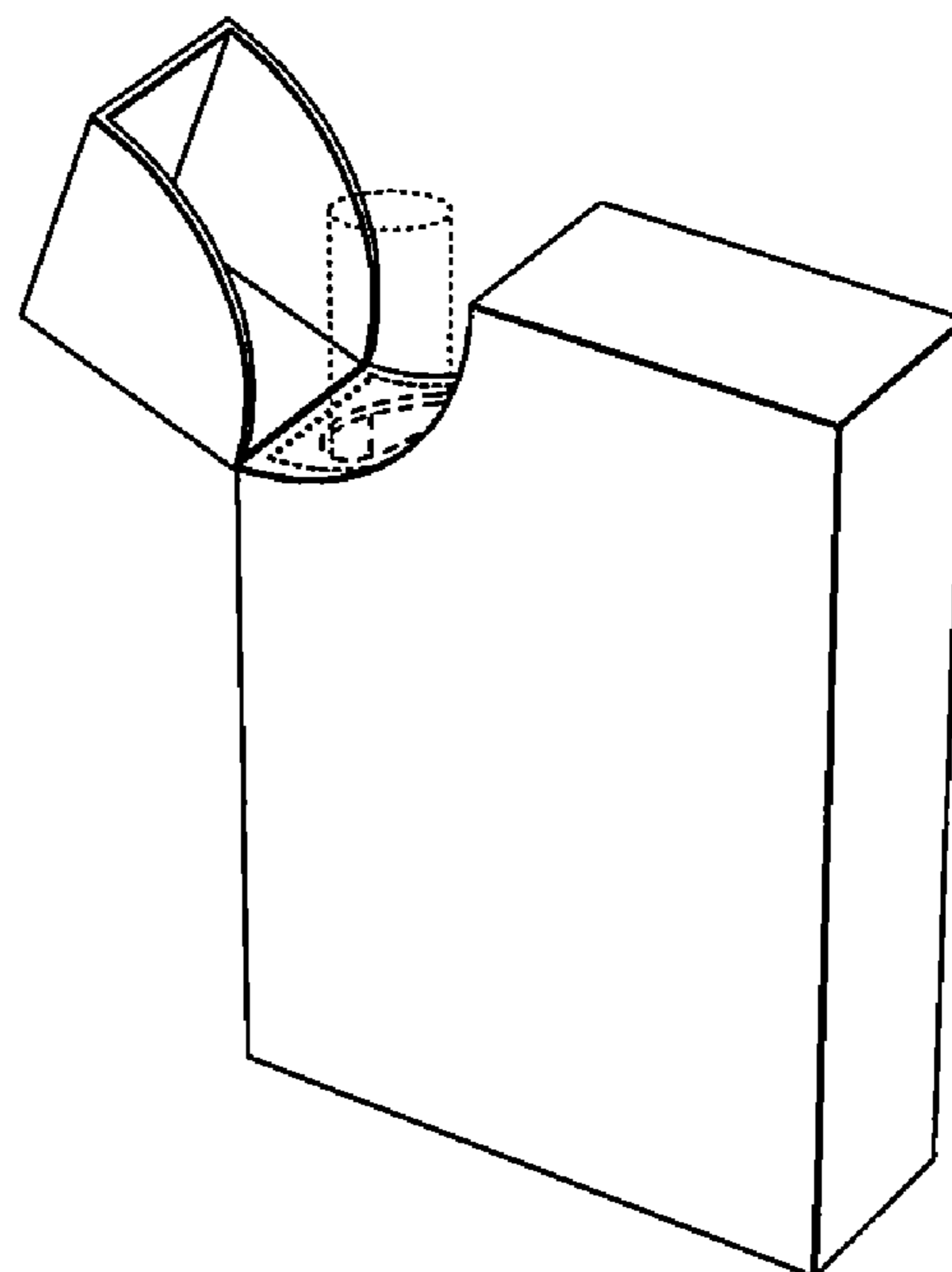
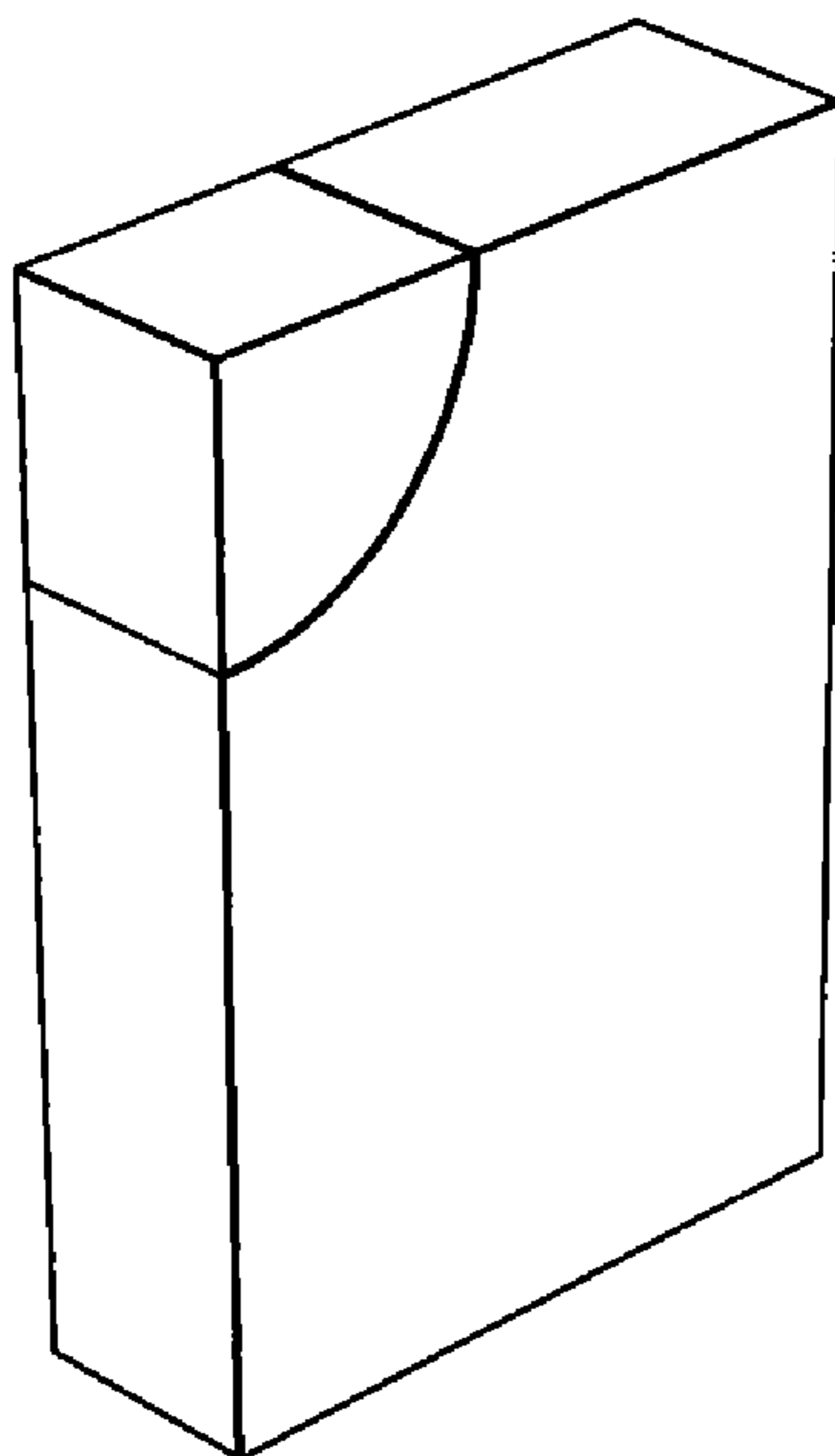
FIG. 5 is a left side view of the embodiment our new design.

FIG. 6 is top view of the embodiment our new design; and,

FIG. 7 is a right side view of the embodiment our new design.

The broken lines along the interior of the pack immediately adjacent the solid lines represent the bounds of the claim. The remaining broken lines illustrate environment. None of the broken lines form part of the claimed design.

1 Claim, 1 Drawing Sheet



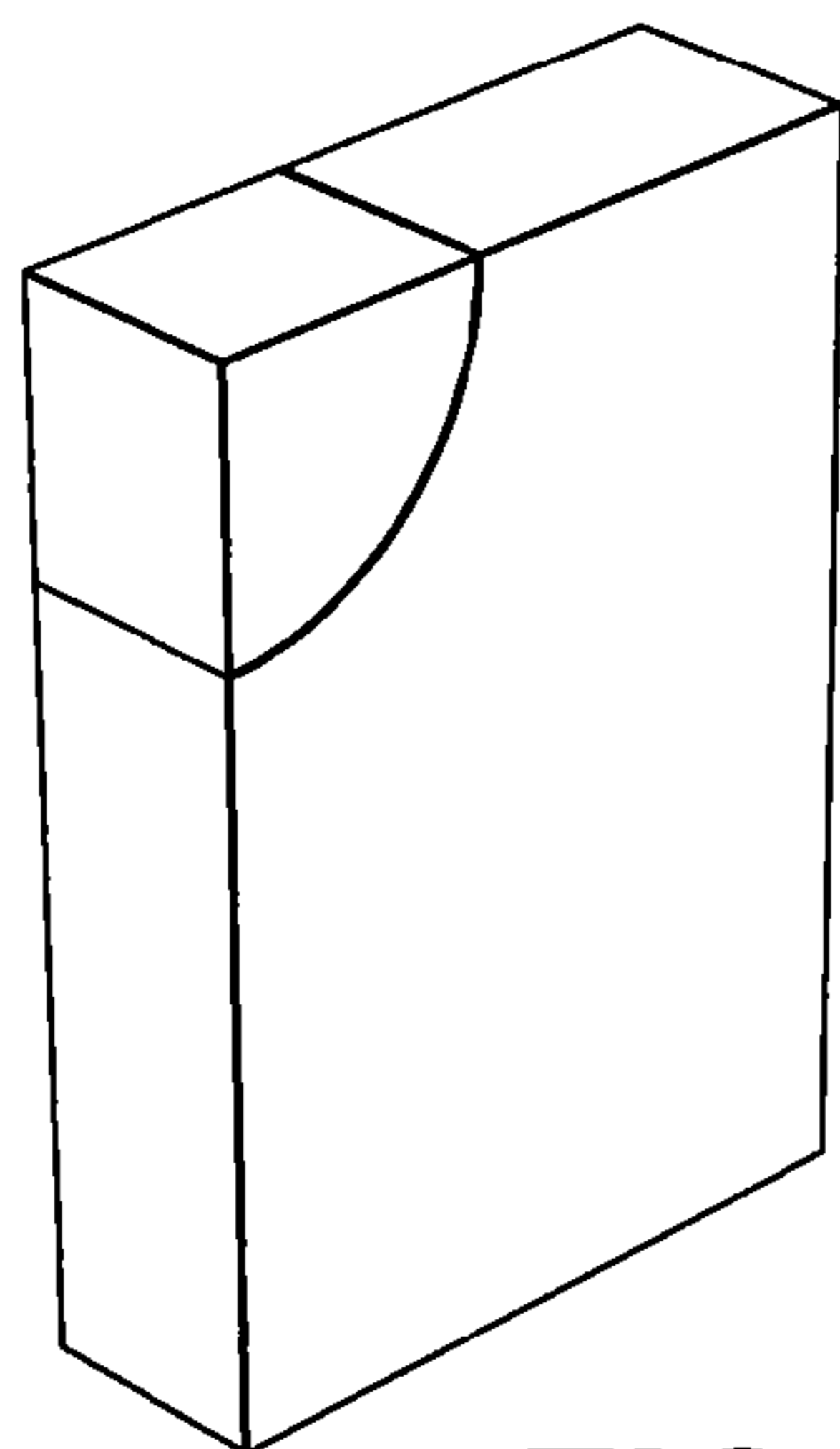


FIG. 1

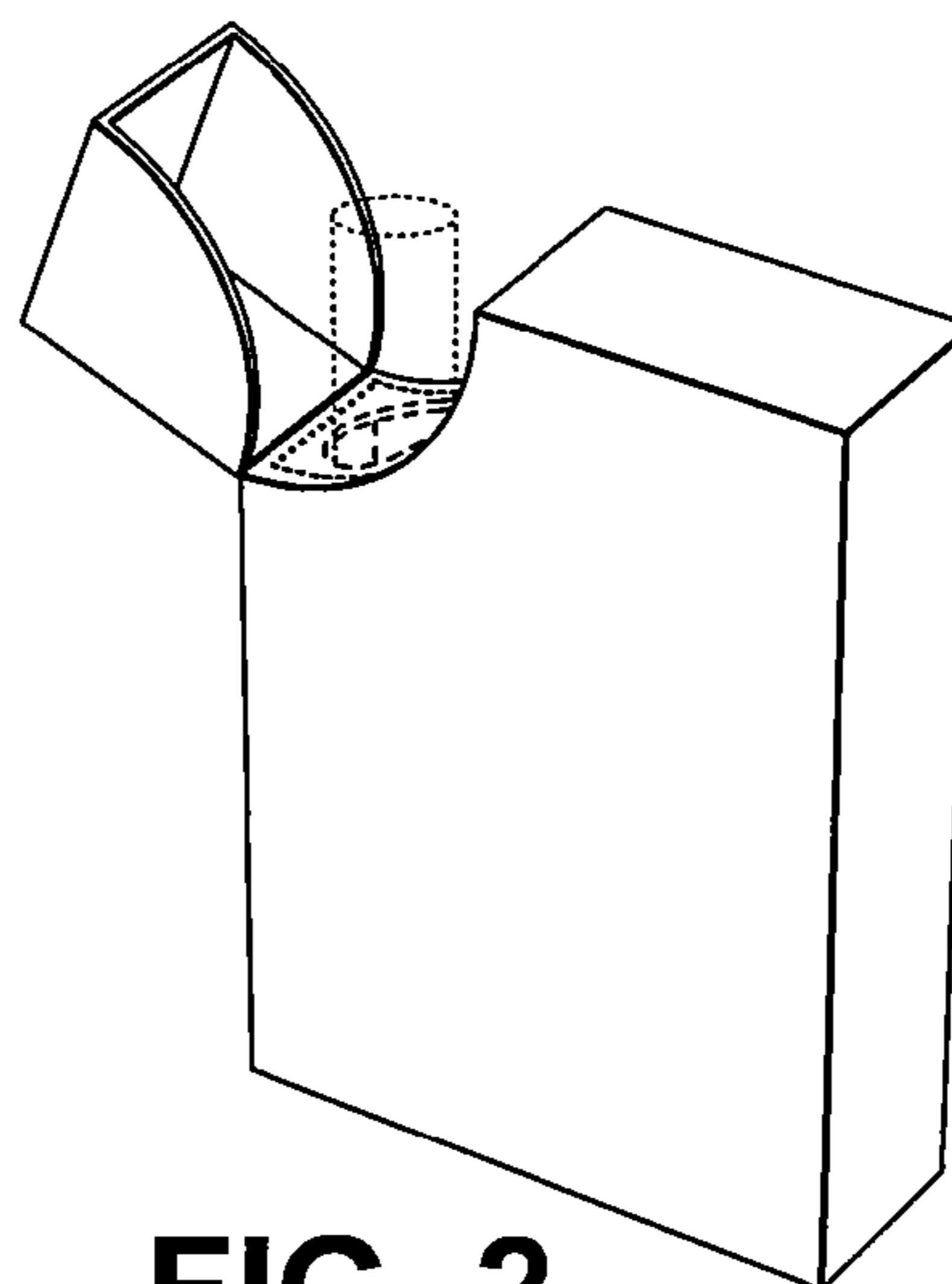


FIG. 2

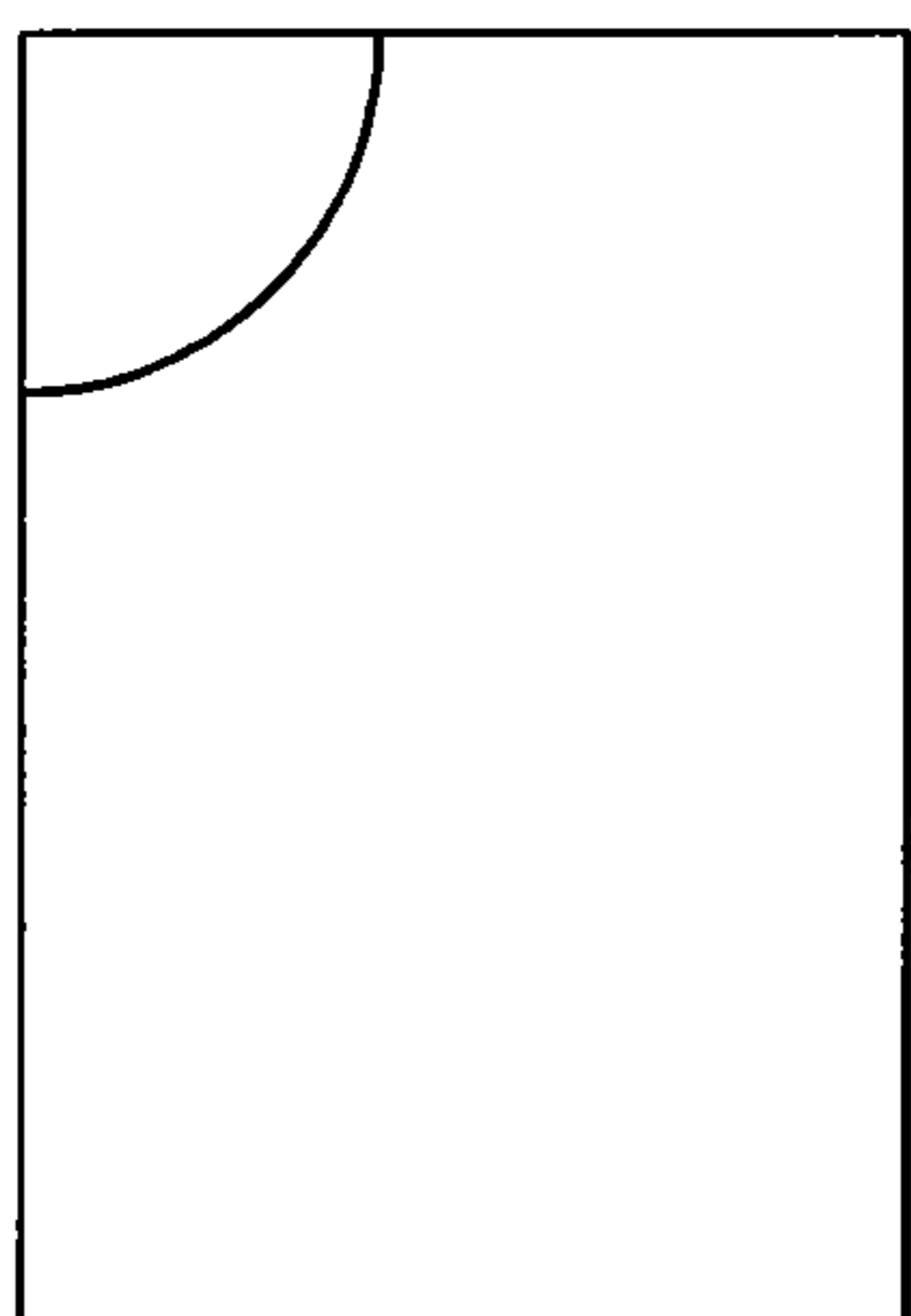


FIG. 3

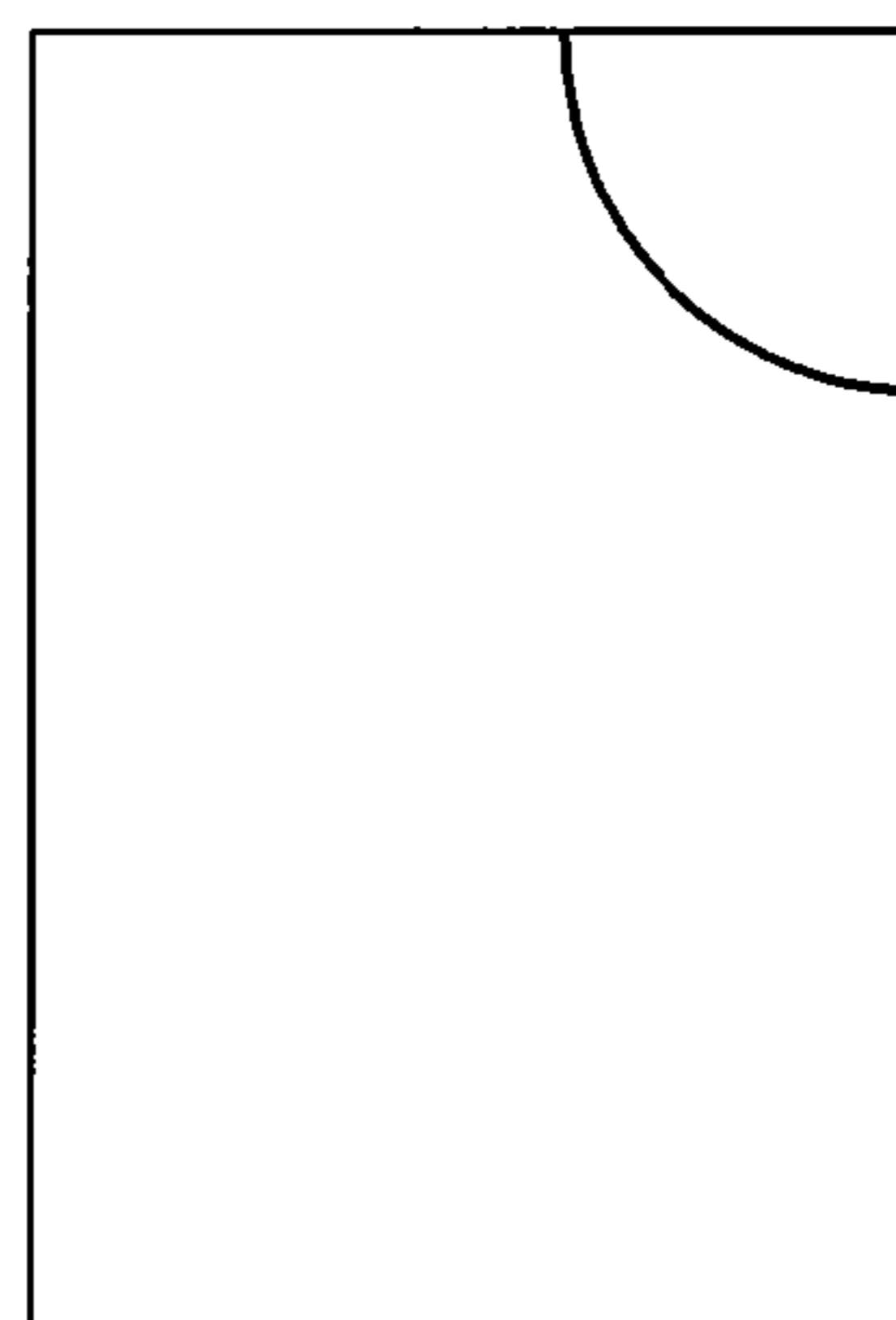


FIG. 4



FIG. 5

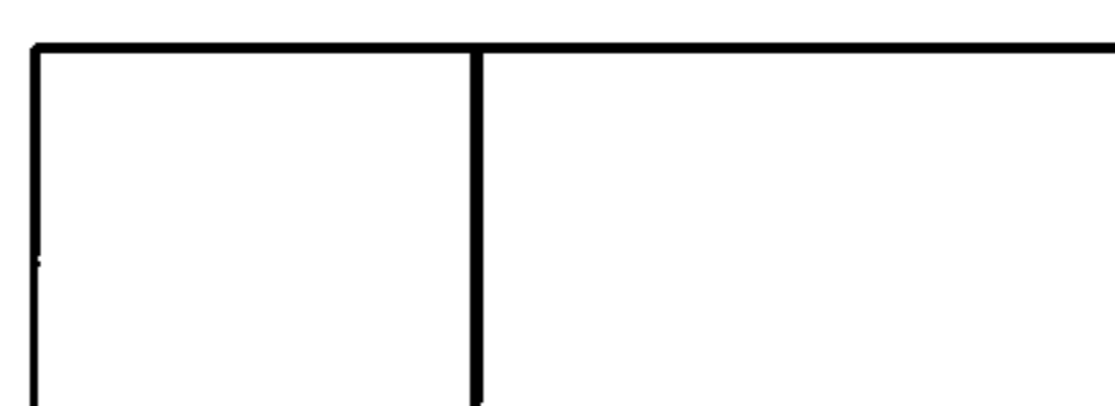


FIG. 6



FIG. 7