



US00D596786S

(12) **United States Design Patent**
Schmidt

(10) **Patent No.:** **US D596,786 S**
(45) **Date of Patent:** **** Jul. 21, 2009**

(54) **LUMINAIRE COMPONENT**

(75) Inventor: **Jonathan Becker Schmidt**, Round Rock, TX (US)

(73) Assignee: **ABL IP Holding LLC**, Conyers, GA (US)

(**) Term: **14 Years**

(21) Appl. No.: **29/322,556**

(22) Filed: **Aug. 7, 2008**

(51) **LOC (9) Cl.** **26-99**

(52) **U.S. Cl.** **D26/141**

(58) **Field of Classification Search** D26/67,
D26/87, 88, 85, 89, 118, 141, 138, 120, 74,
D26/113, 68, 79, 81, 83, 119, 121, 154, 122,
D26/123, 124, 128, 131, 142, 143; 362/255,
362/444, 606, 95, 145, 147, 148, 805, 153,
362/153.1, 655, 656, 658, 659, 260, 297,
362/301, 309, 331, 335, 353, 364, 365, 416,
362/431, 435, 448, 452; D13/154, 133, 134,
D13/135; D8/354, 364, 366, 371, 381; D10/106
See application file for complete search history.

(56) **References Cited**

U.S. PATENT DOCUMENTS

D77,410 S *	1/1929	Harris	D26/129
D82,425 S *	11/1930	Harris	D26/67
D97,423 S *	11/1935	Werring	D26/67
D102,553 S *	12/1936	Gosling	D26/67
2,066,631 A *	1/1937	Le Gorre	362/303
D192,125 S	1/1962	Lasker		
D229,713 S	12/1973	Wince et al.		
D383,242 S	9/1997	Reese		
D427,350 S	6/2000	Landefeld		
D444,584 S	7/2001	Landefeld		
D456,547 S *	4/2002	Leen	D26/67
D464,163 S *	10/2002	Orozco	D26/87
D465,603 S	11/2002	De'Armond		
D466,243 S *	11/2002	Chen	D26/67
D468,478 S	1/2003	Landefeld et al.		

D470,261 S 2/2003 Dolan
D473,333 S 4/2003 Willmorth
D485,387 S 1/2004 Harbaugh
D515,231 S 2/2006 Randazzo et al.

OTHER PUBLICATIONS

“Providence” Architectural Area Lighting, 2005—20 pgs.
“F162 Series Luminaire” Heritage Castings & Ironworks, 2002—1 pg.
“Barcelona Twilight Series”, Niland Company—12 pgs.

(Continued)

Primary Examiner—Cathron C Brooks
Assistant Examiner—Kevin K Rudzinski
(74) *Attorney, Agent, or Firm*—Kilpatrick Stockton, LLP

(57) **CLAIM**

The ornamental design for a luminaire component, as shown and described.

DESCRIPTION

FIG. 1 shows a bottom perspective view of the luminaire component.

FIG. 2 shows a top perspective view of the luminaire component shown in FIG. 1.

FIG. 3 shows a top perspective view of the luminaire component shown in FIGS. 1 and 2 in isolation.

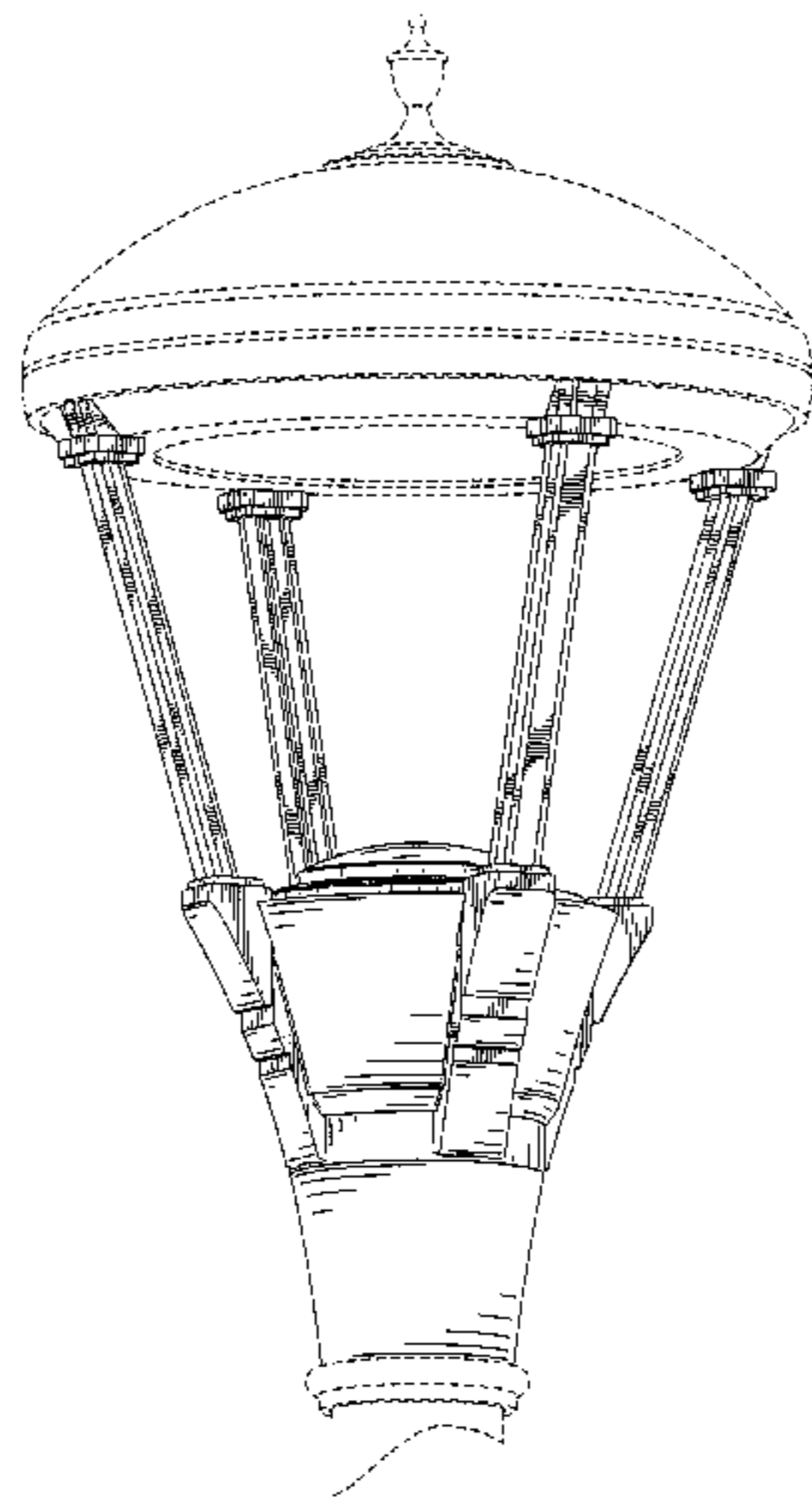
FIG. 4 shows a front view of the luminaire component shown in FIG. 3, the back view, right side view, and left side view being mirror images of the front view.

FIG. 5 shows a top plan view of the luminaire component shown in FIG. 3; and,

FIG. 6 shows a bottom plan view of the luminaire component shown in FIG. 3.

Portions or features of the luminaire component not shown in the drawings form no part of the claimed design. Portions or features of the luminaire component shown in broken lines form no part of the claimed design.

1 Claim, 5 Drawing Sheets



OTHER PUBLICATIONS

“Product Specifications Report” Sea Gull Lighting—1 pg.
“E450/E460/E470 Euro Series” Sternberg—2 pgs.
“Bounce Pedestrian Scale Luminaire” Kim Lighting,
2004—11 pgs.
“Intrepid Series” LSI Greenlee, 2007—6 pgs.
“Lexington Series” LSI Greenlee, 2007—4 pgs.
“Treviso” Beacon—pgs 16-21.

“Fulgora” Schreder—2 pgs.
“Westminster Collection” Dinico Lighting, 2007—2 pgs.
“Munich Collection” SNOC, 2006—1 pg.
“The New Orleans Series” Spring City Lighting—1 pg.
“Victorian Series” Penn Globe, 2008—1 pg.
“New Oxford (V022)” Hadco, 2006—1 pg.
“Barcelona Series” Niland Company—1 pg.

* cited by examiner

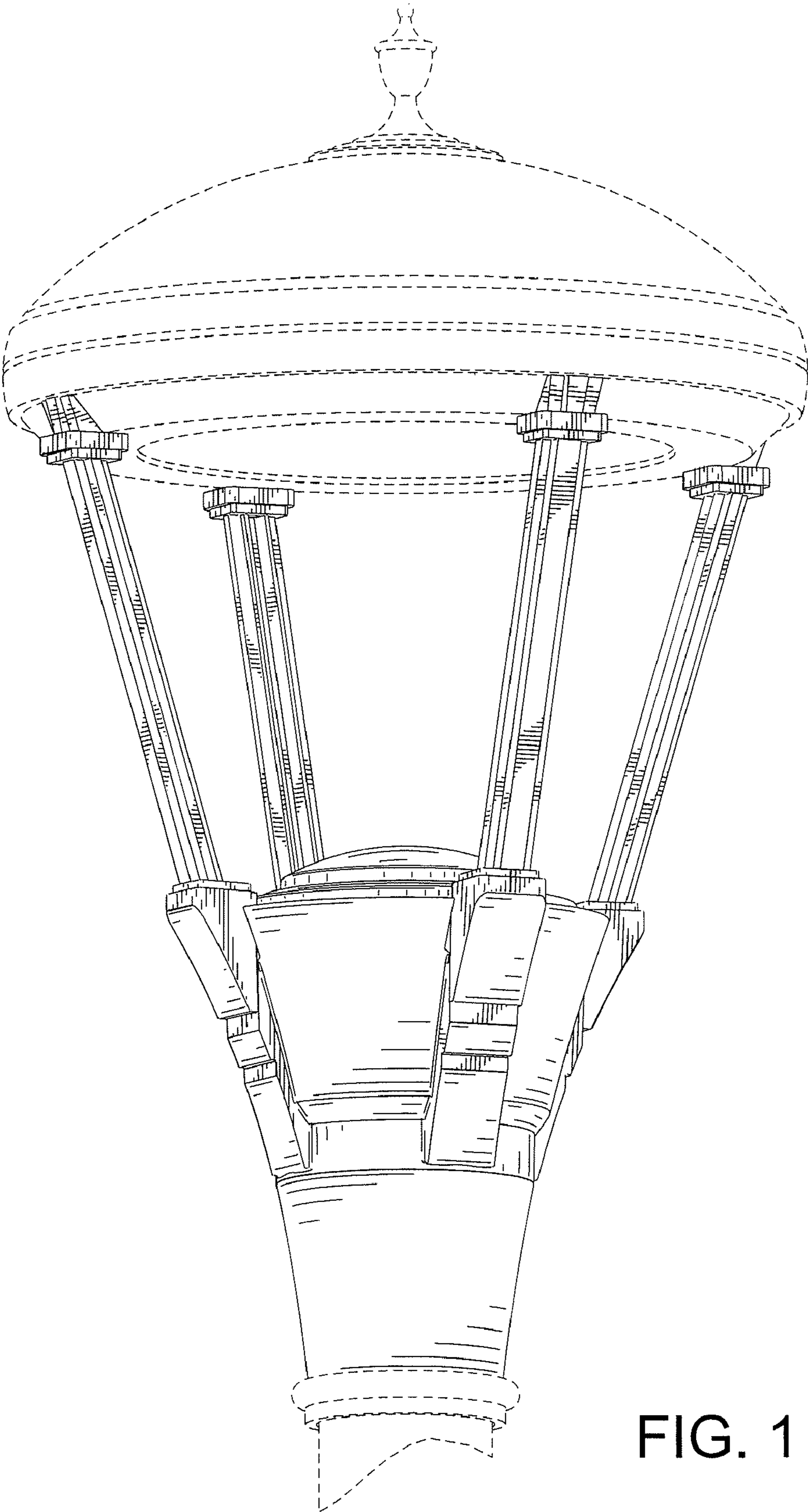


FIG. 1

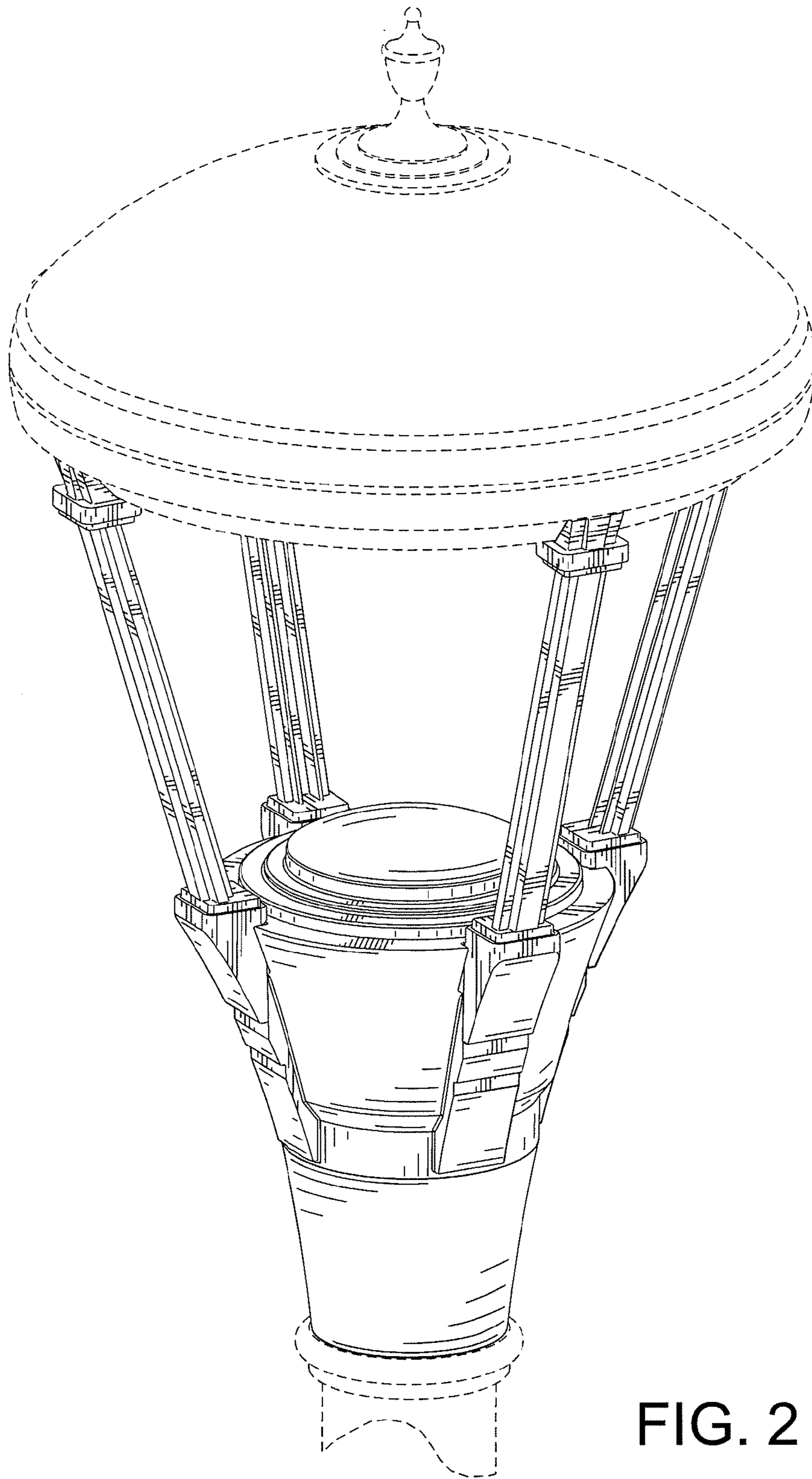


FIG. 2

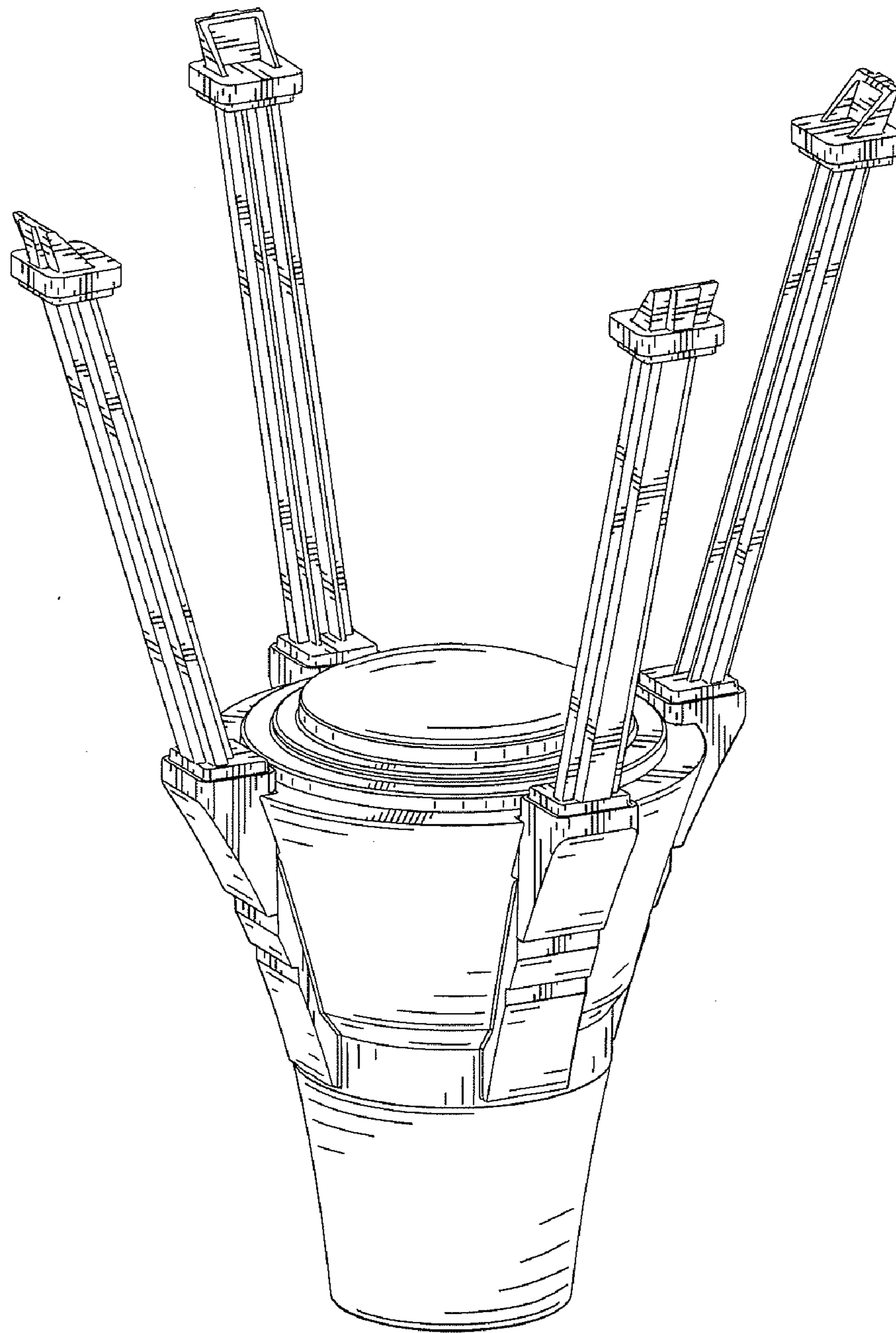


FIG. 3

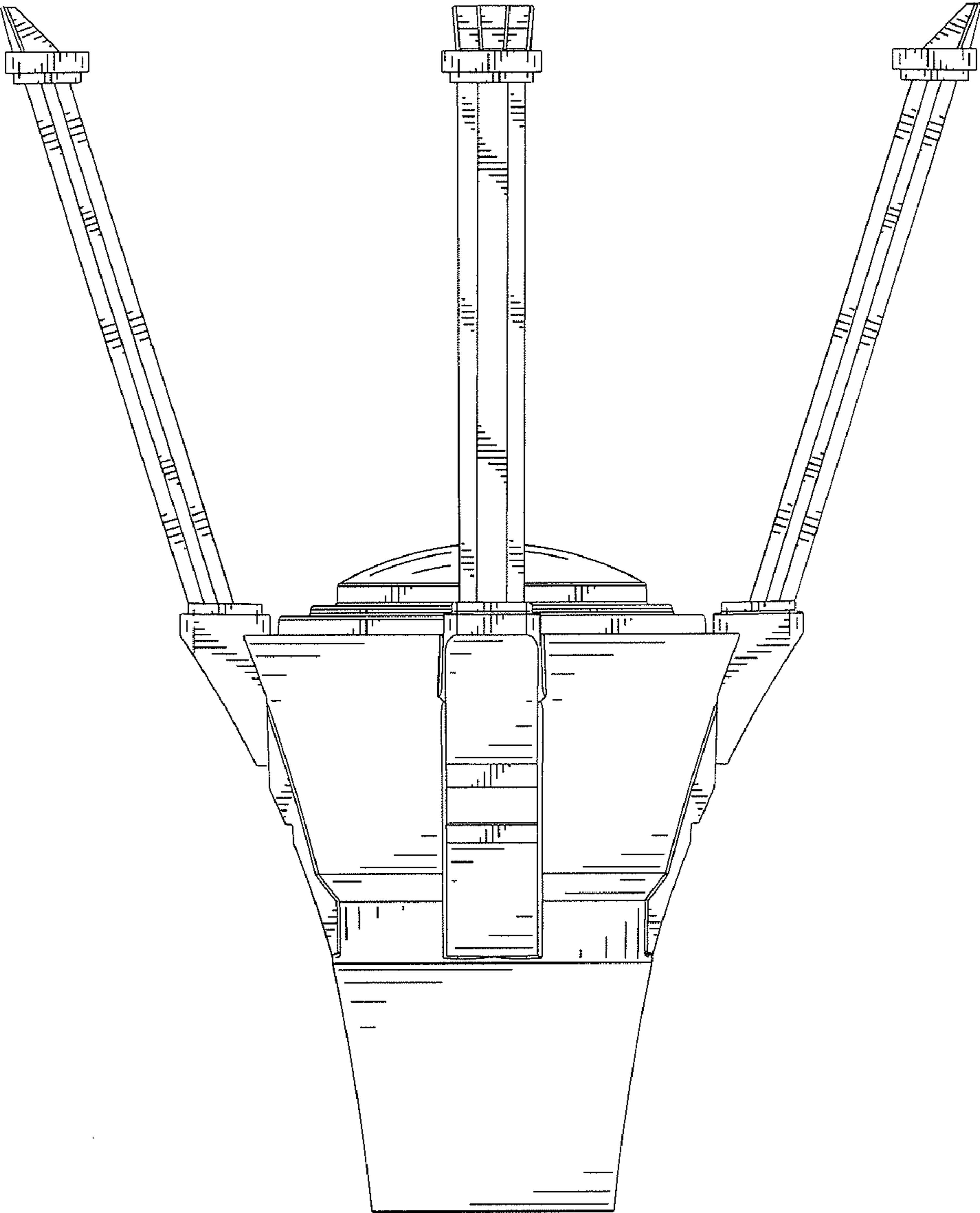


FIG. 4

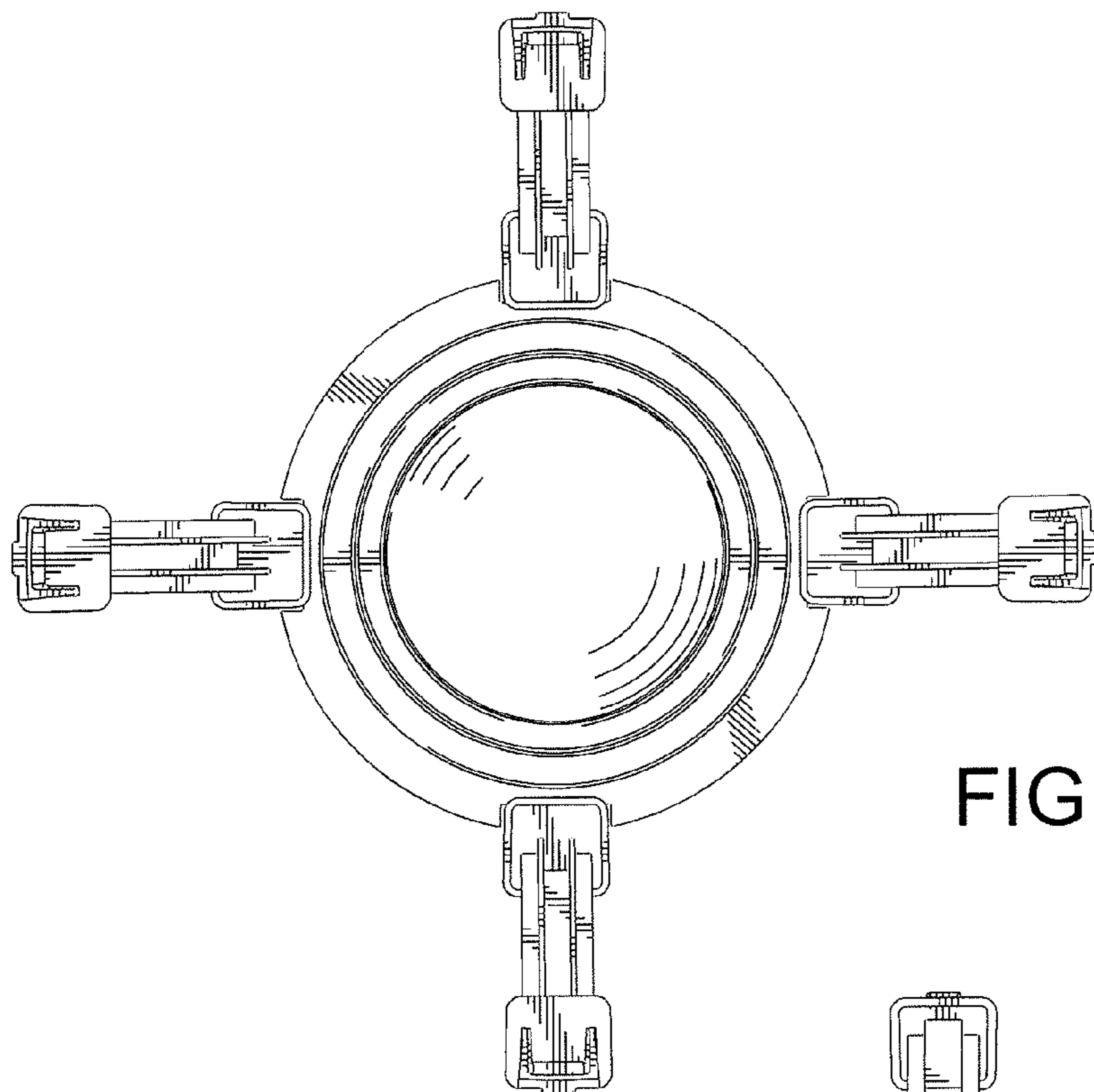


FIG. 5

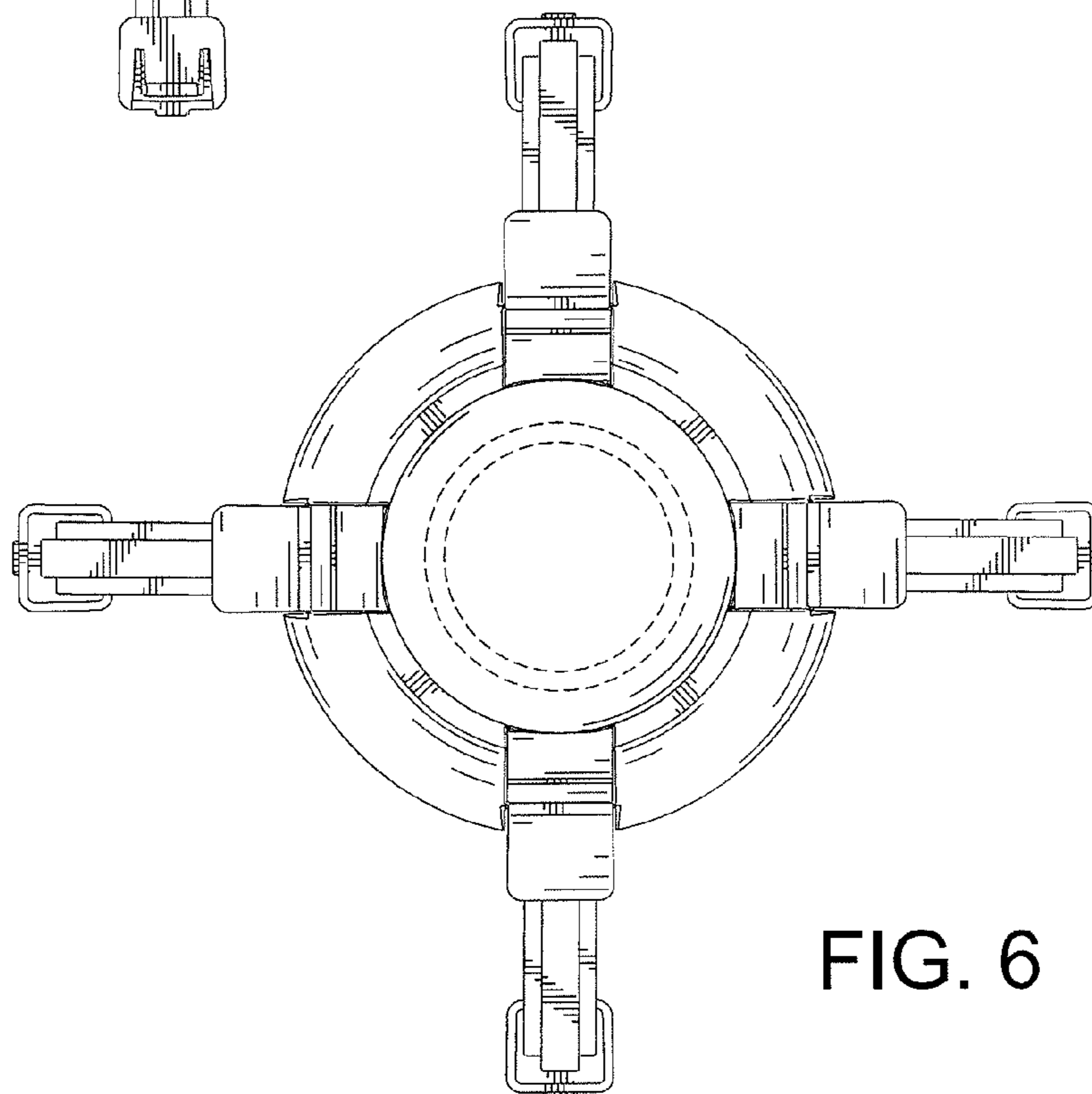


FIG. 6