

US00D596784S

(12) **United States Design Patent**
Silver

(10) **Patent No.:** **US D596,784 S**

(45) **Date of Patent:** **** Jul. 21, 2009**

(54) **LIGHT FIXTURE**

(75) Inventor: **Remy Silver**, Toronto (CA)

(73) Assignee: **Beta-Calco Inc.**, Ontario (CA)

(**) Term: **14 Years**

(21) Appl. No.: **29/324,428**

(22) Filed: **Sep. 11, 2008**

(30) **Foreign Application Priority Data**

Mar. 12, 2008 (CA) 125069

(51) **LOC (9) Cl.** **26-03**

(52) **U.S. Cl.** **D26/91; D26/88**

(58) **Field of Classification Search** D26/75,
D26/76, 79, 81, 83, 84, 85, 86, 88-91, 118,
D26/138, 141; 362/147, 404-408
See application file for complete search history.

(56) **References Cited**

U.S. PATENT DOCUMENTS

2,195,154	A	*	3/1940	Scott	362/225
D121,094	S	*	6/1940	Heath	D26/75
D139,669	S	*	12/1944	Lippincott	D26/76
D139,670	S	*	12/1944	Lippincott	D26/76
D331,638	S		12/1992	Vamberszky et al.		
D341,443	S		11/1993	Shapiro		
D348,534	S	*	7/1994	Herst et al.	D26/85

D369,426	S	*	4/1996	Sonneman	D26/76
D465,872	S	*	11/2002	Cacaci	D26/90
D469,209	S		1/2003	Homann		
D536,468	S	*	2/2007	Crosby	D26/84
D584,848	S	*	1/2009	Menke	D26/88

OTHER PUBLICATIONS

“Forma” pendant by Kenroy Home. Found at lightinguniverse.com Feb. 27, 2009.*

“Strato” pendant #E20725-18 on p. 11 and #E20724-18 on p. 12 of the ET2 Lighting Jun. 2007 Supplemental Catalog.*

“Stealth” pendant #E20744-09 shown on p. 15 of the ET2 Lighting Jun. 2007 Supplemental Catalog.*

* cited by examiner

Primary Examiner—Clare E Heflin

(74) *Attorney, Agent, or Firm*—Renner, Otto, Boisselle & Sklar, LLP

(57) **CLAIM**

The ornamental design for a light fixture, as shown and described.

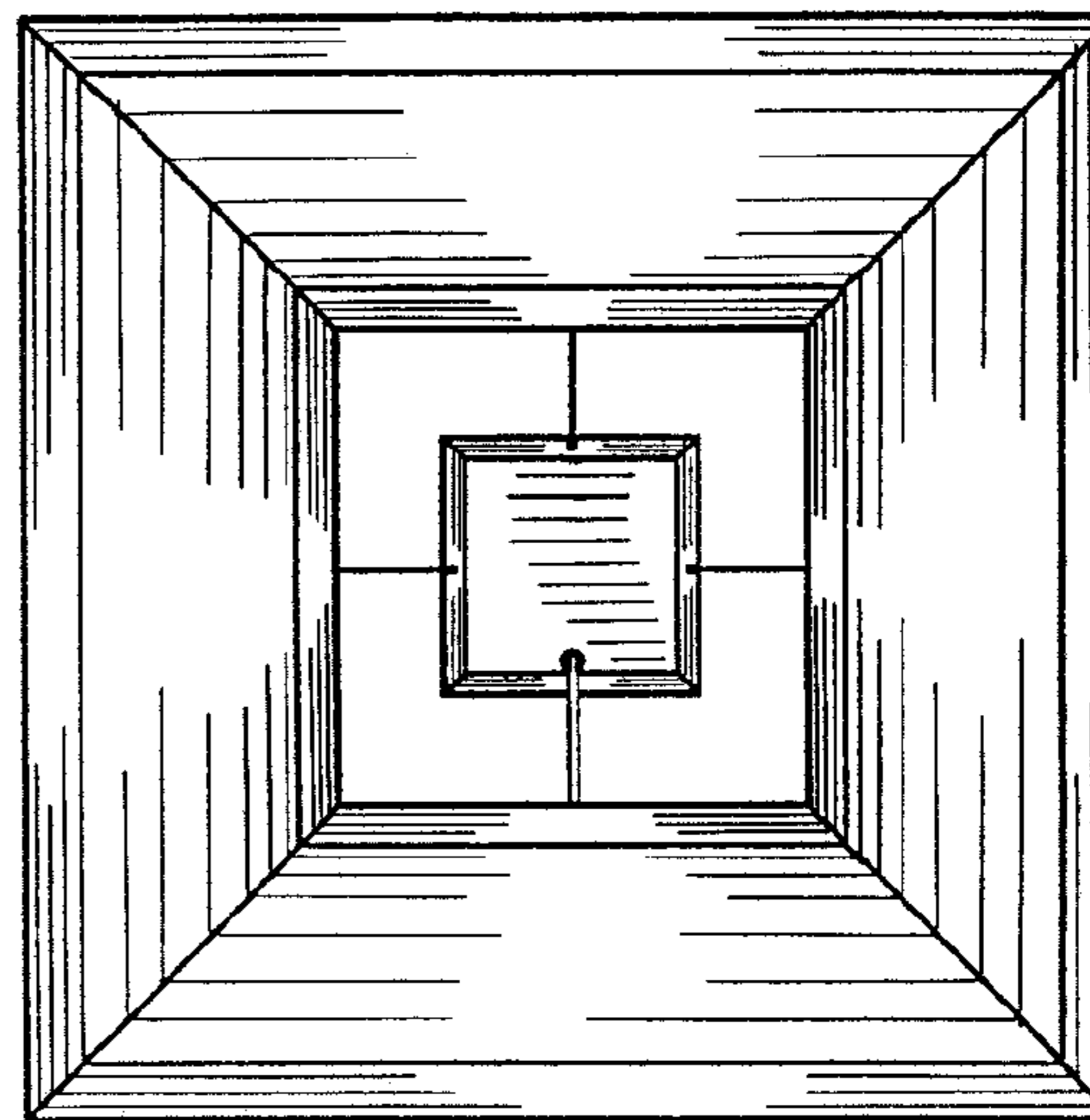
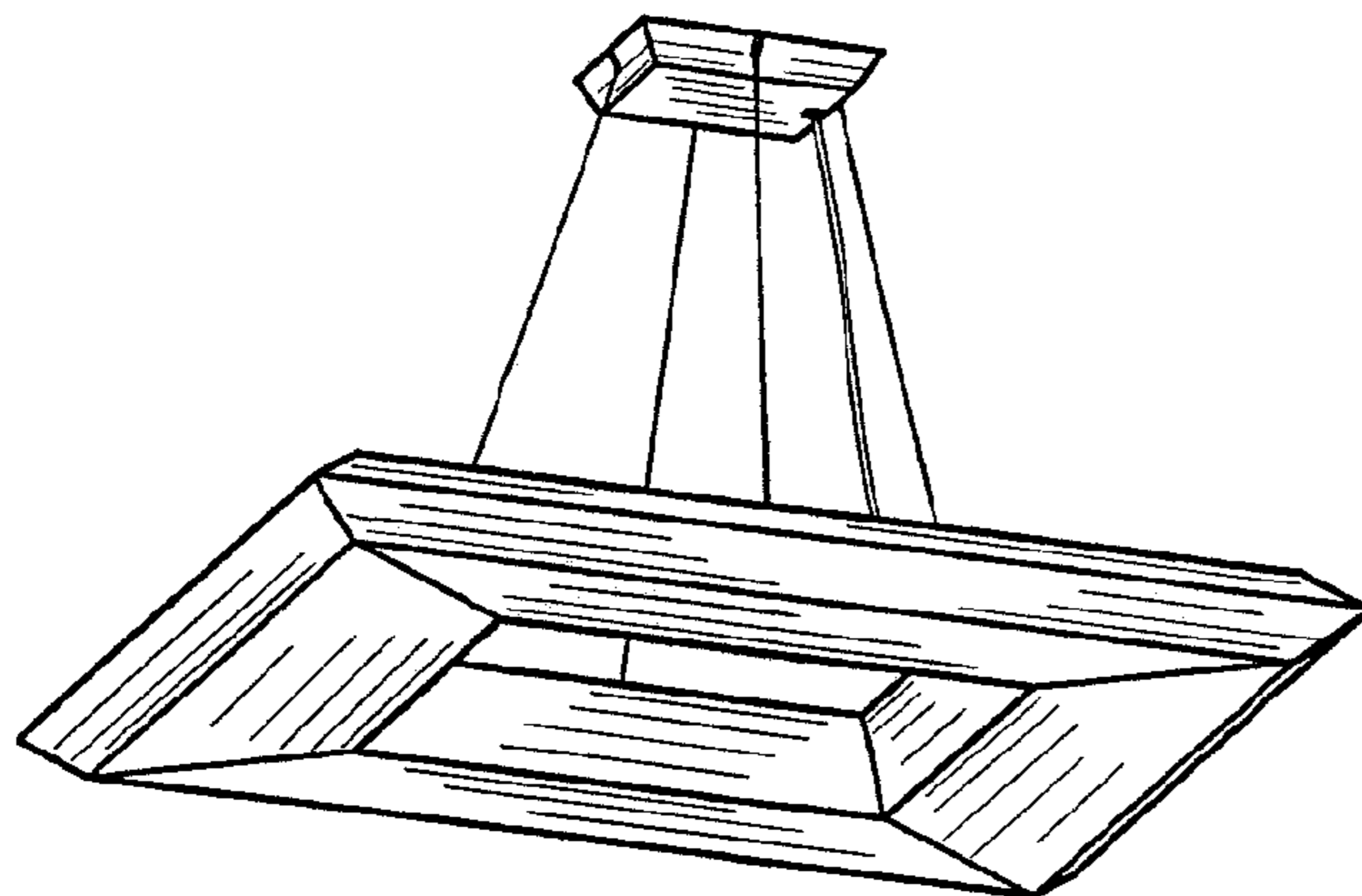
DESCRIPTION

FIG. 1 is a side view of the light fixture showing my new design, with the fixture having overall rotational-symmetry;

FIG. 2 is a bottom perspective view of the light fixture shown in FIG. 1; and,

FIG. 3 is bottom view of the light fixture shown in FIG. 1.

1 Claim, 1 Drawing Sheet



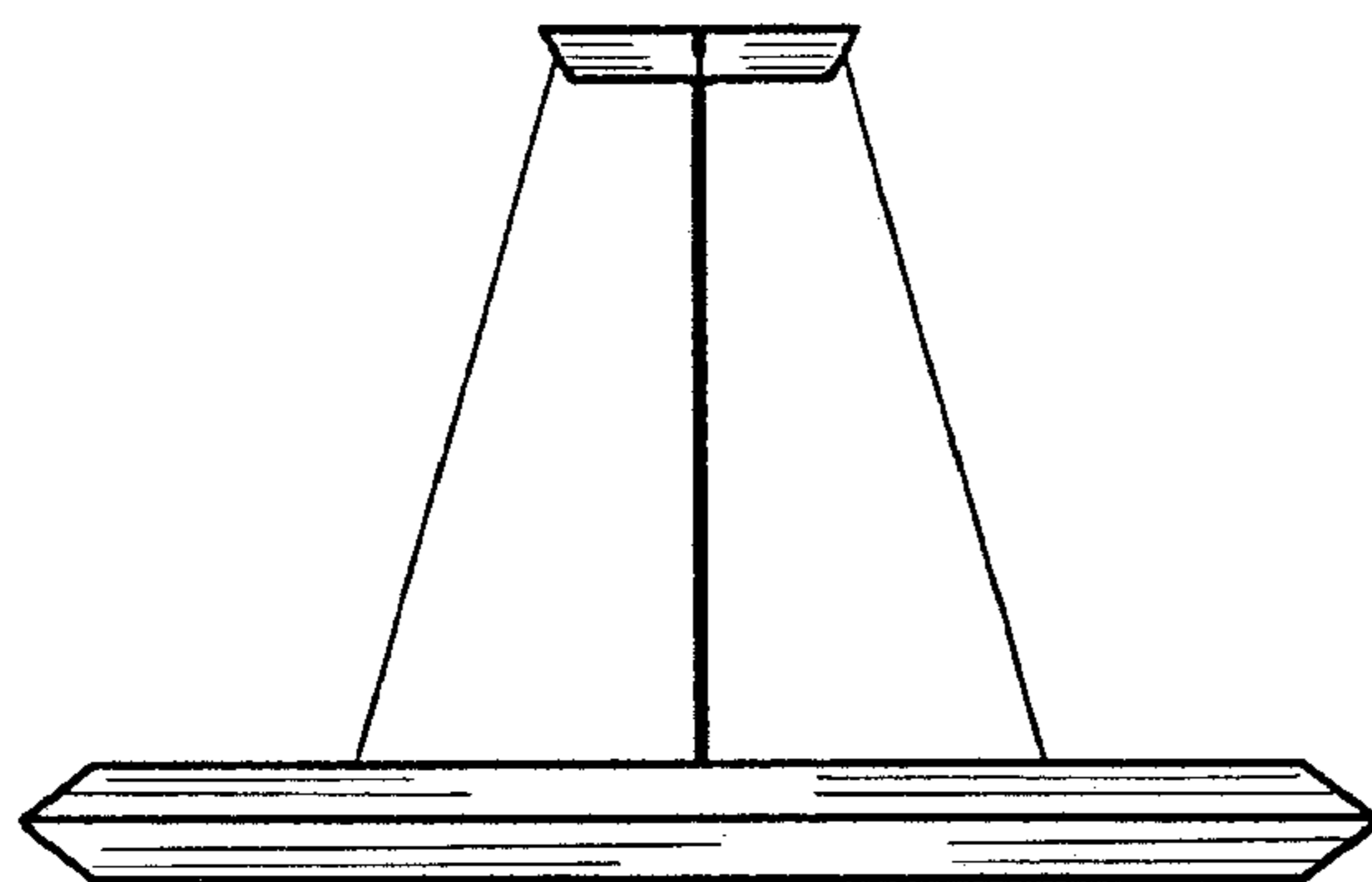


FIG. 1

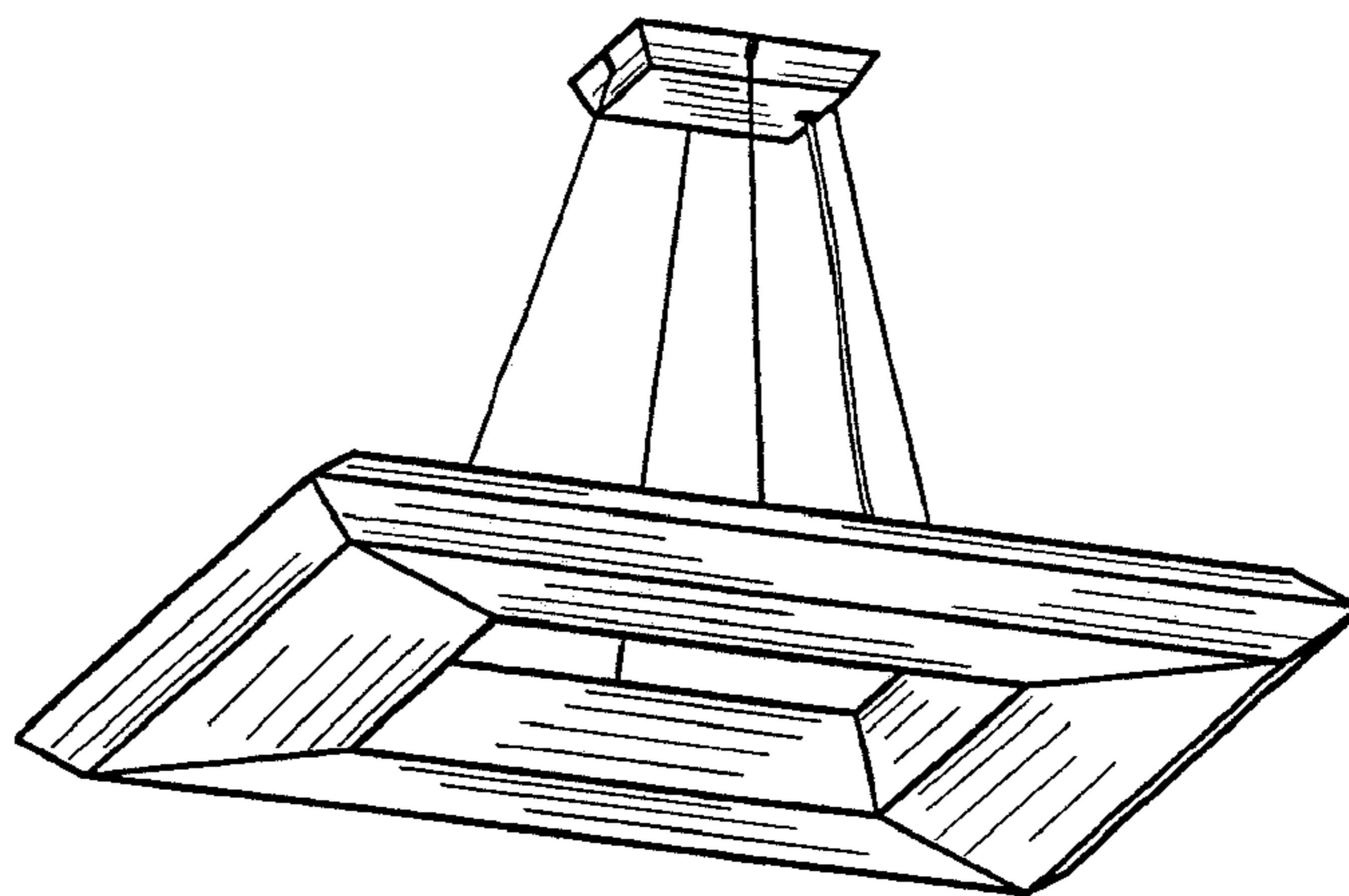


FIG. 2

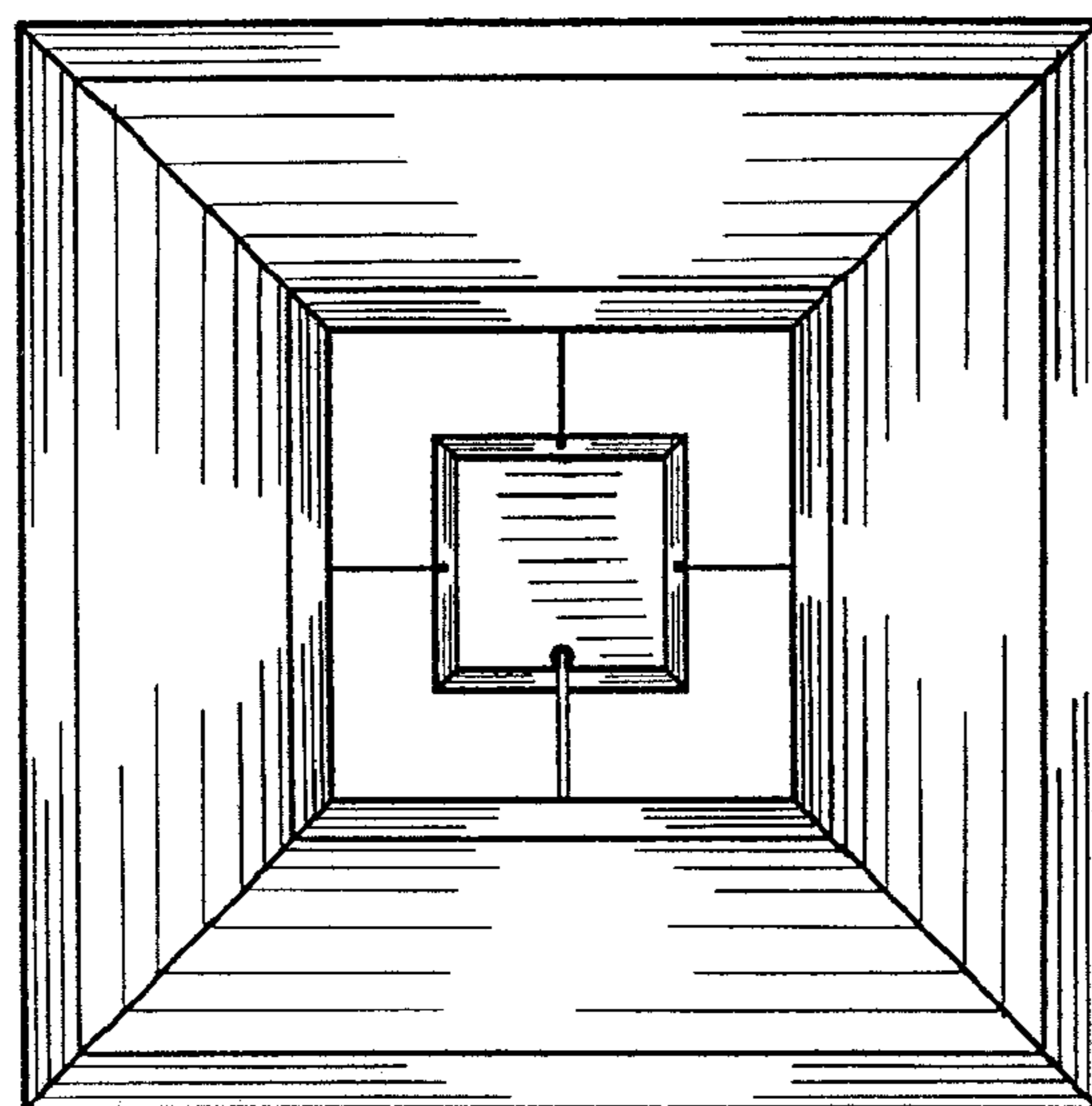


FIG. 3