



US00D596780S

(12) **United States Design Patent**
Thun

(10) **Patent No.:** **US D596,780 S**

(45) **Date of Patent:** **** Jul. 21, 2009**

(54) **LIGHT FIXTURE**

(75) Inventor: **Matteo Thun**, Milan (IT)

(73) Assignee: **Zumtobel Lighting GmbH & Co. KG**,
Lemgo (DE)

(**) Term: **14 Years**

(21) Appl. No.: **29/324,560**

(22) Filed: **Sep. 15, 2008**

(30) **Foreign Application Priority Data**

Mar. 20, 2008 (EM) 000901368-0001
Mar. 20, 2008 (EM) 000901368-0002

(51) **LOC (9) Cl.** **26-03**

(52) **U.S. Cl.** **D26/88**

(58) **Field of Classification Search** D26/75,
D26/76, 79, 81, 83, 84, 85, 86, 88-91, 118,
D26/138, 141; 362/147, 404-408
See application file for complete search history.

(56) **References Cited**

U.S. PATENT DOCUMENTS

D56,742 S * 12/1920 Duepner D26/88
2,017,075 A * 10/1935 Logan et al. 362/408
D102,438 S * 12/1936 Montmartin D26/88
D119,203 S * 2/1940 Krueger D26/88
D252,533 S * 7/1979 Glassman D26/89
5,134,554 A * 7/1992 Donato et al. 362/407
D342,338 S * 12/1993 Thun D26/88
7,249,871 B2 * 7/2007 Chen 362/407
D556,361 S * 11/2007 Arbel D26/88

OTHER PUBLICATIONS

“Nucleus” E20057 shown on p. 43 of the ET2 2007 Lighting
Catalog—2nd Edition.*
“Nova” #20136-16 shown on p. 93 of the ET2 2007 Lighting
Catalog—2nd Edition.*
“Orb” #E22148 shown on p. 215 of the ET2 2007 Lighting
Catalog—2nd Edition.*

“Hydrogen” pendant #86612-SN from the website www.plclighting.
com © 2007.*

* cited by examiner

Primary Examiner—Clare E Heflin

(74) *Attorney, Agent, or Firm*—Marshall, Gerstein & Borun
LLP

(57) **CLAIM**

The ornamental design for a light fixture, as shown and
described.

DESCRIPTION

FIG. 1 is a bottom, front perspective view of the light fixture
showing a first embodiment of the new design;

FIG. 2 is a top, front perspective view thereof;

FIG. 3 is another top, front perspective view thereof;

FIG. 4 is a front elevation view thereof;

FIG. 5 is a left side elevation view thereof;

FIG. 6 is a right side elevation view thereof;

FIG. 7 is a rear elevation view thereof;

FIG. 8 is a bottom plan view thereof;

FIG. 9 is a top plan view thereof;

FIG. 10 is a bottom, rear perspective view of the light fixture
showing a second embodiment of the new design;

FIG. 11 is a bottom, side perspective view thereof;

FIG. 12 is another bottom, side perspective view thereof;

FIG. 13 is a front elevation view thereof;

FIG. 14 is a rear elevation view thereof;

FIG. 15 is a left side elevation view thereof;

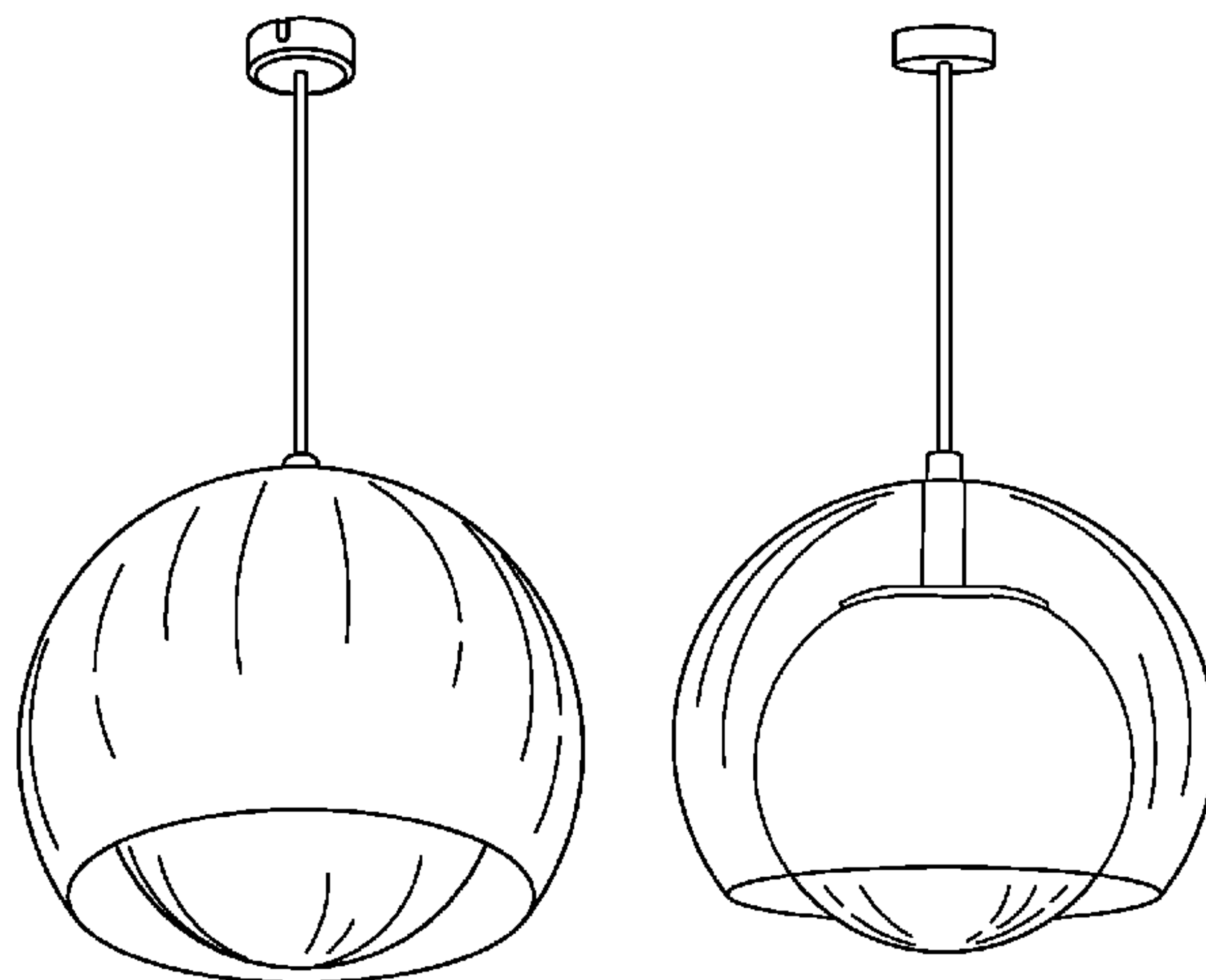
FIG. 16 is a right side elevation view thereof;

FIG. 17 is a bottom plan view thereof; and,

FIG. 18 is a top plan view thereof.

The broken lines on the drawings represent environment only
and form no part of the claimed design.

1 Claim, 6 Drawing Sheets



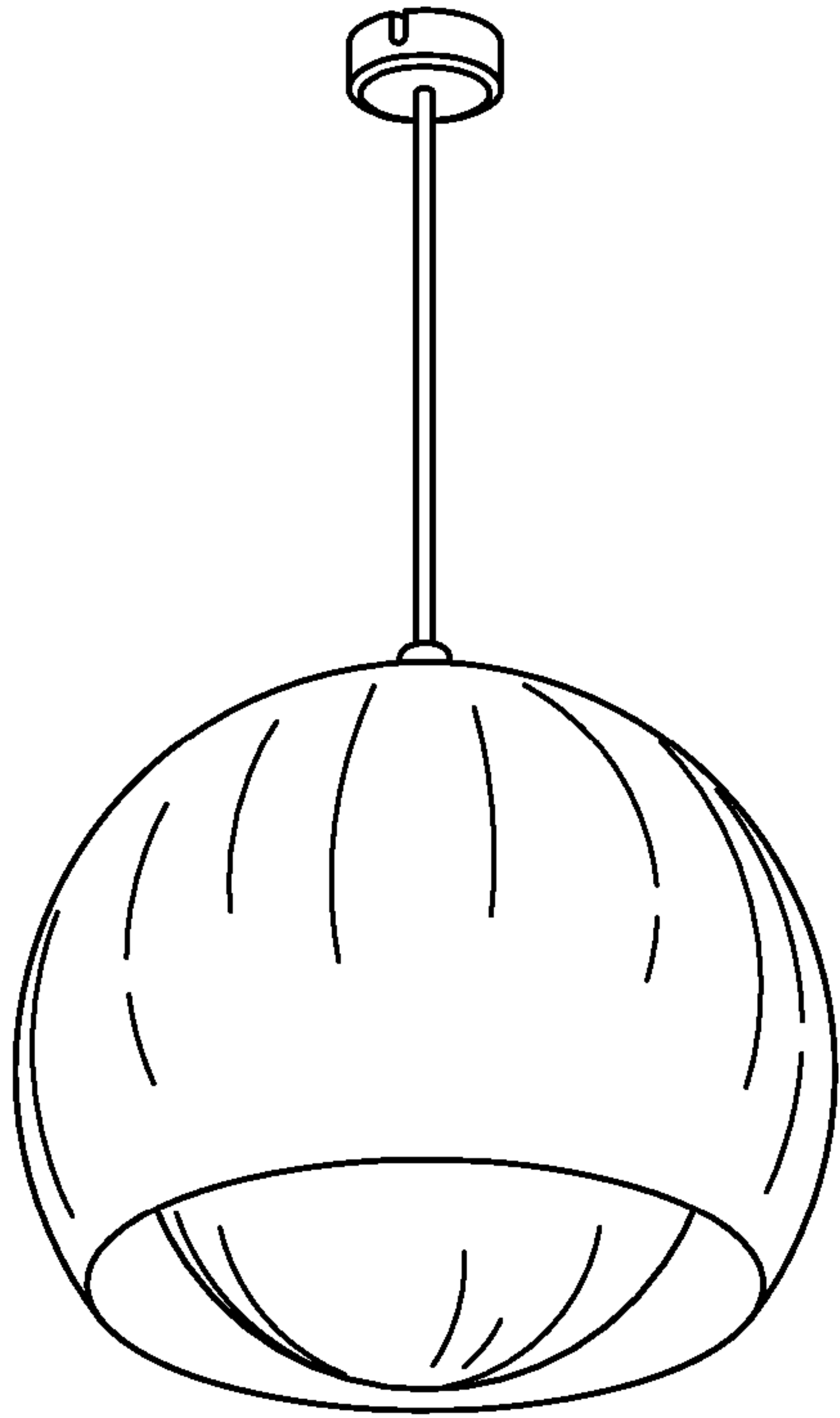


FIG. 1

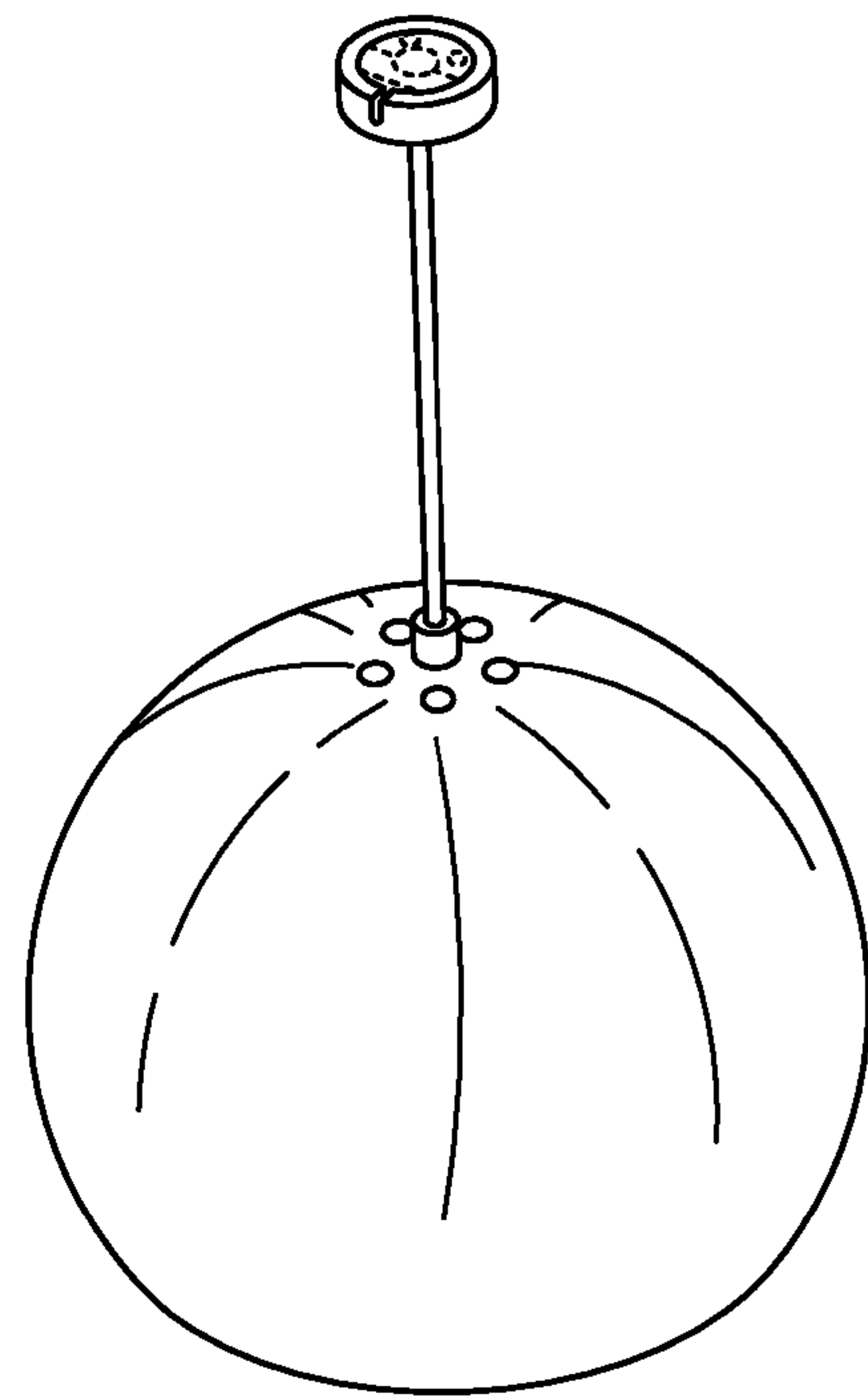


FIG. 2

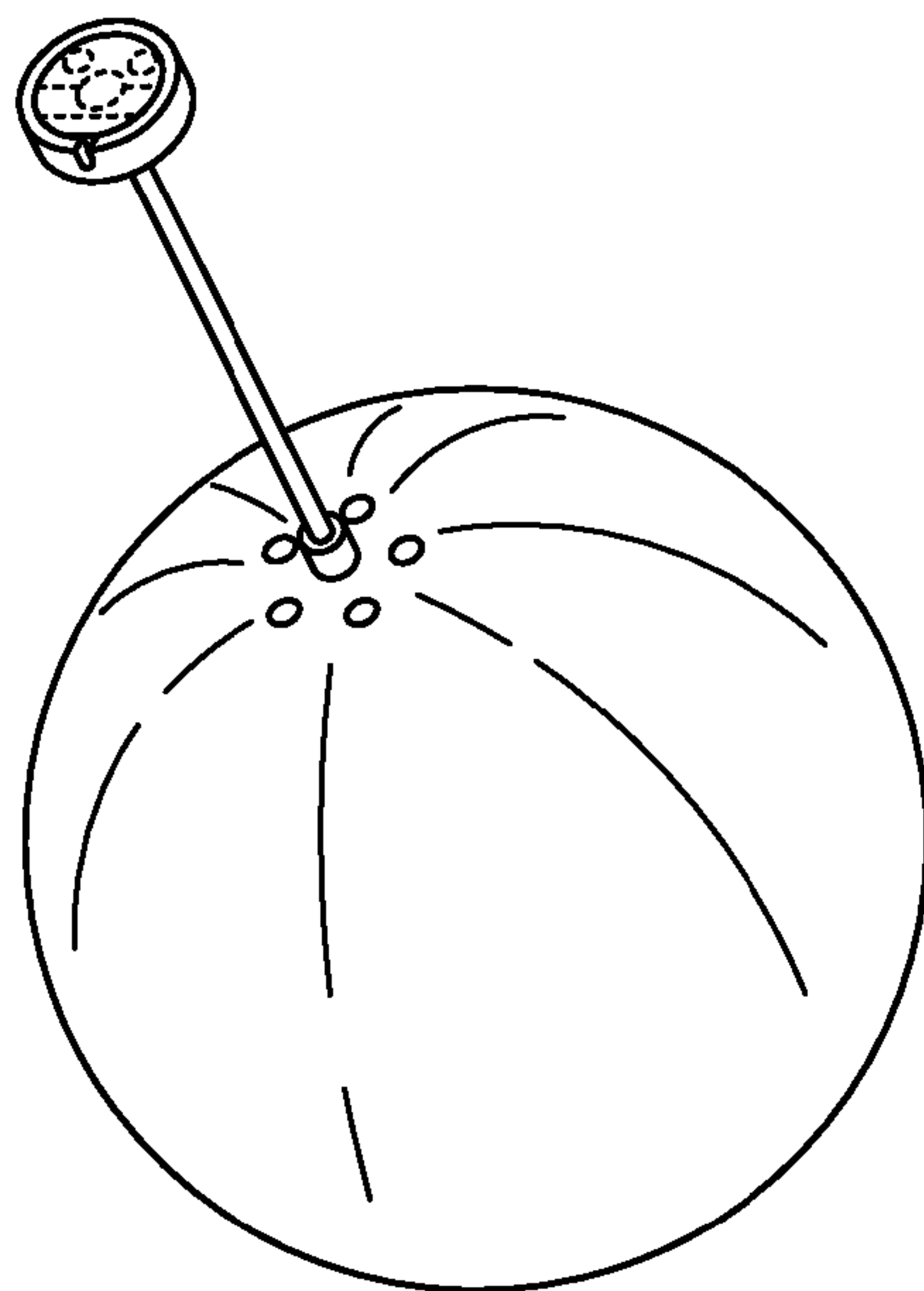


FIG. 3

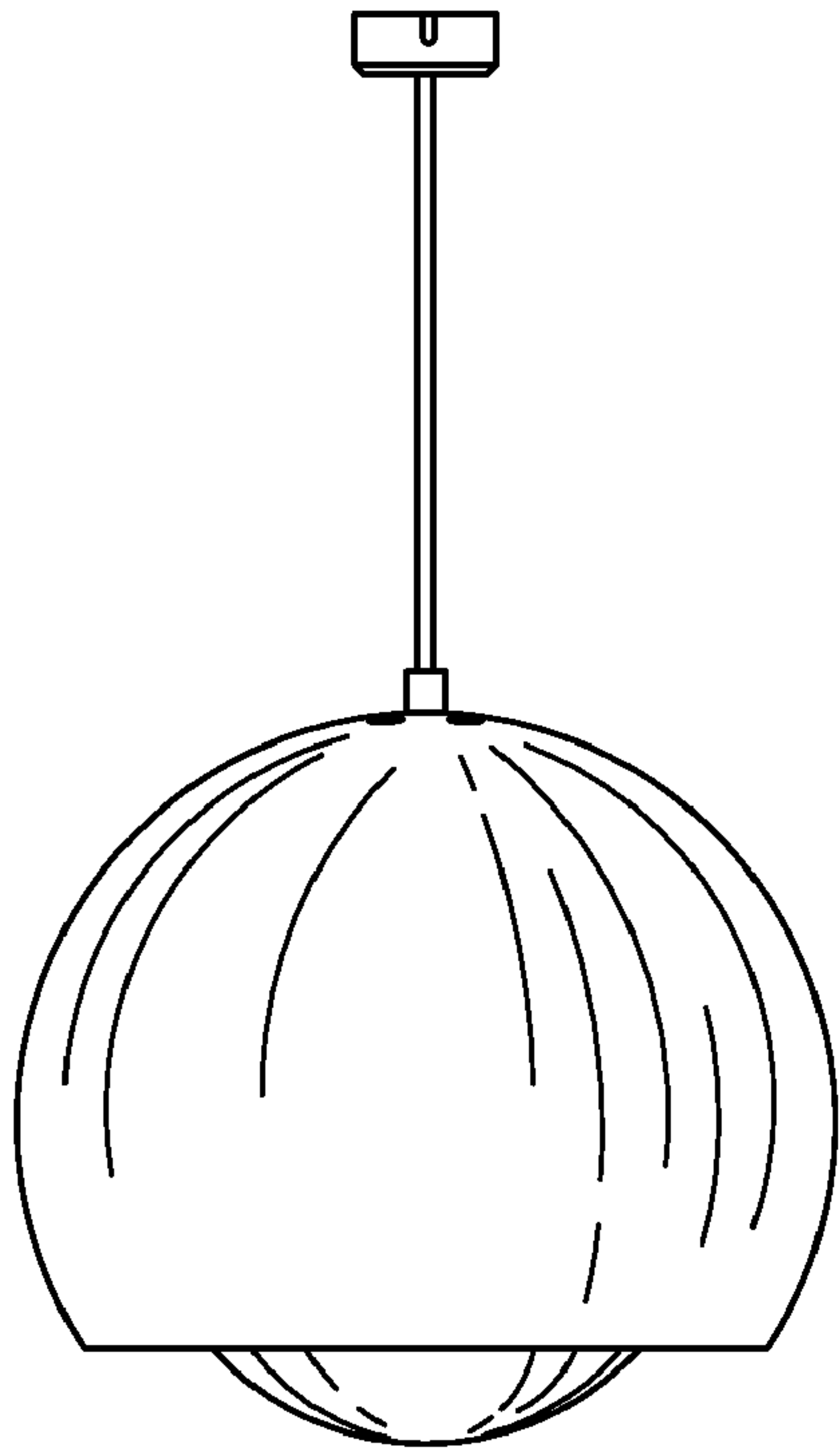


FIG. 4

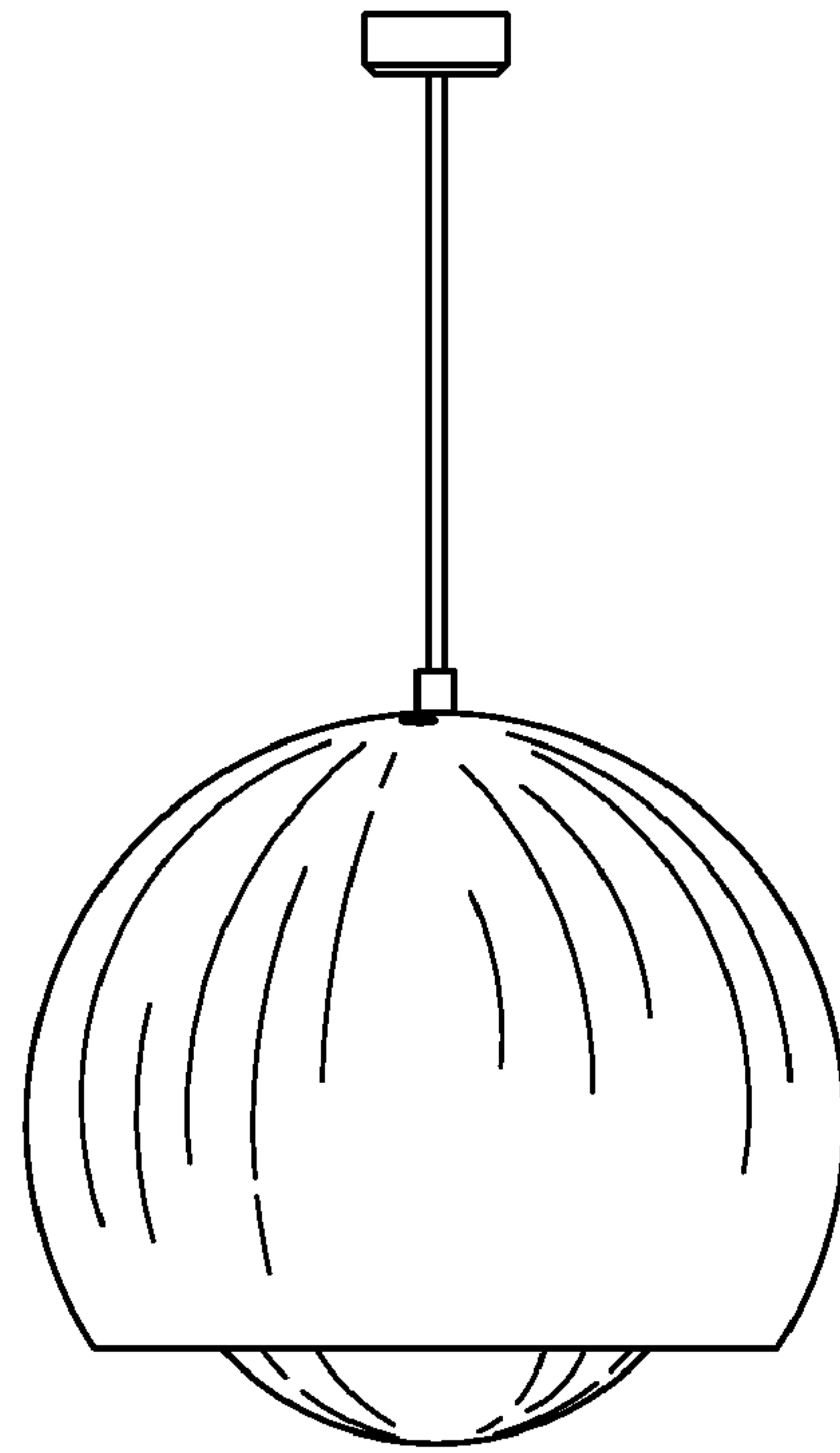


FIG. 5

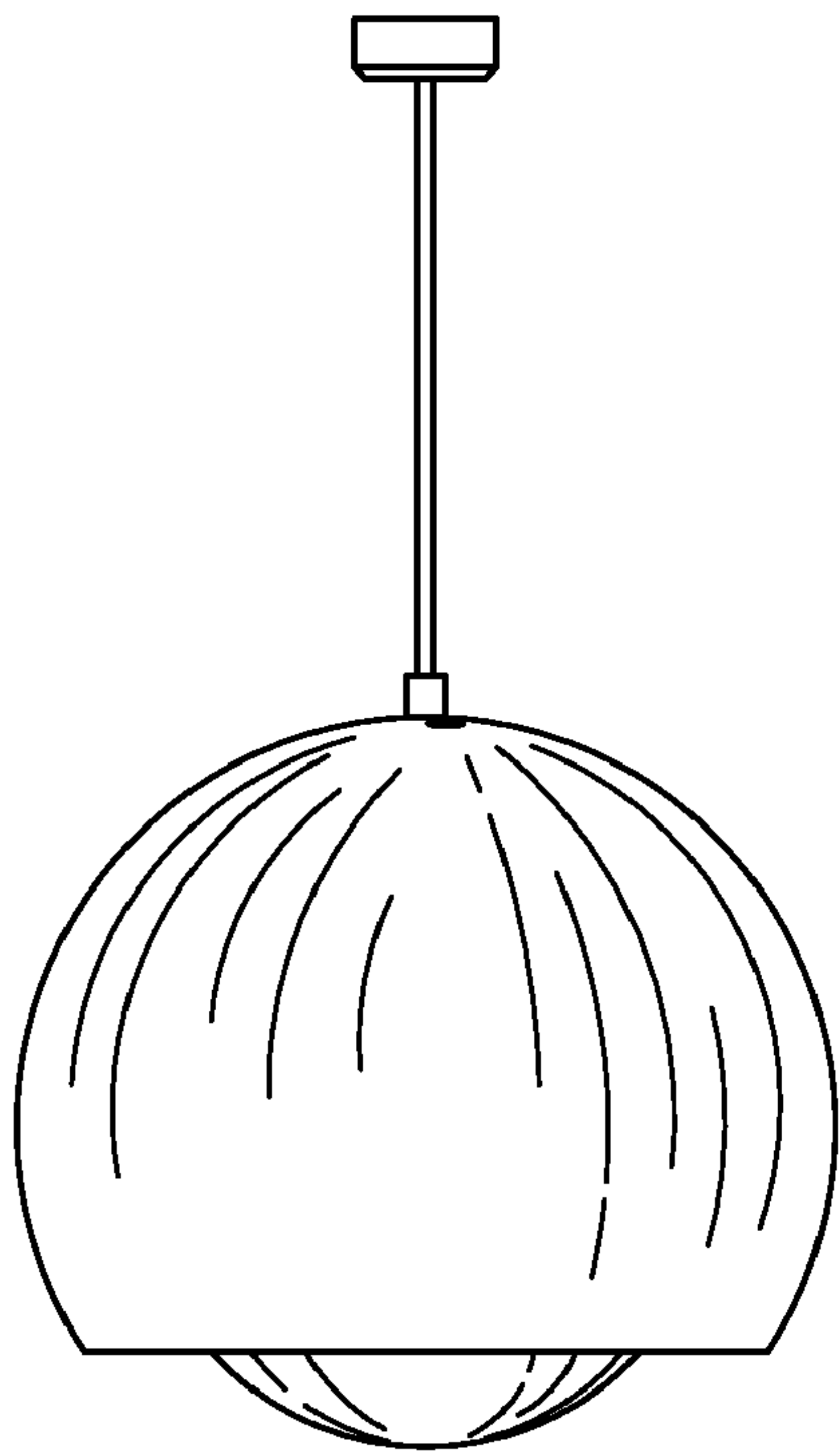


FIG. 6

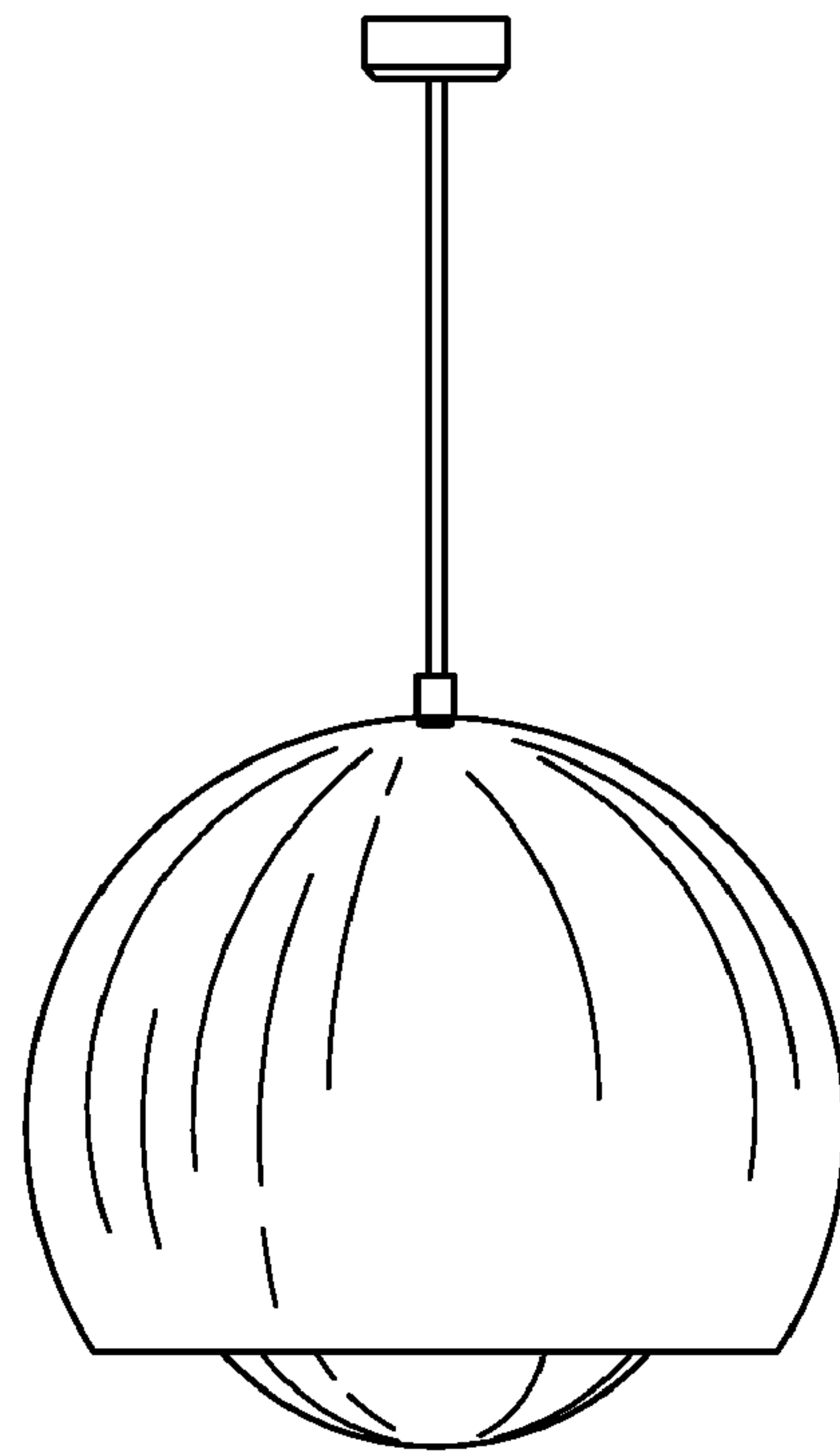


FIG. 7

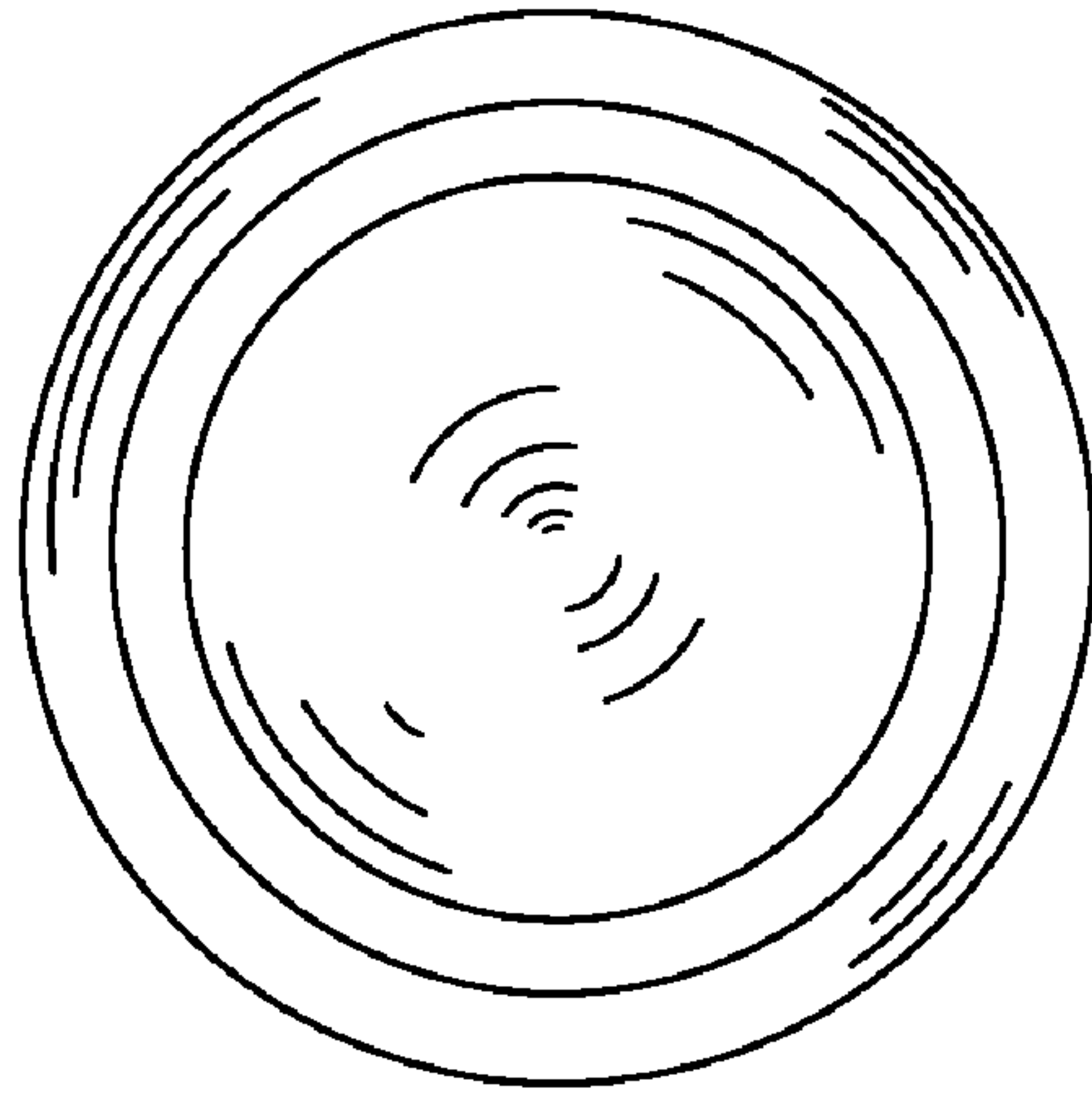


FIG. 8

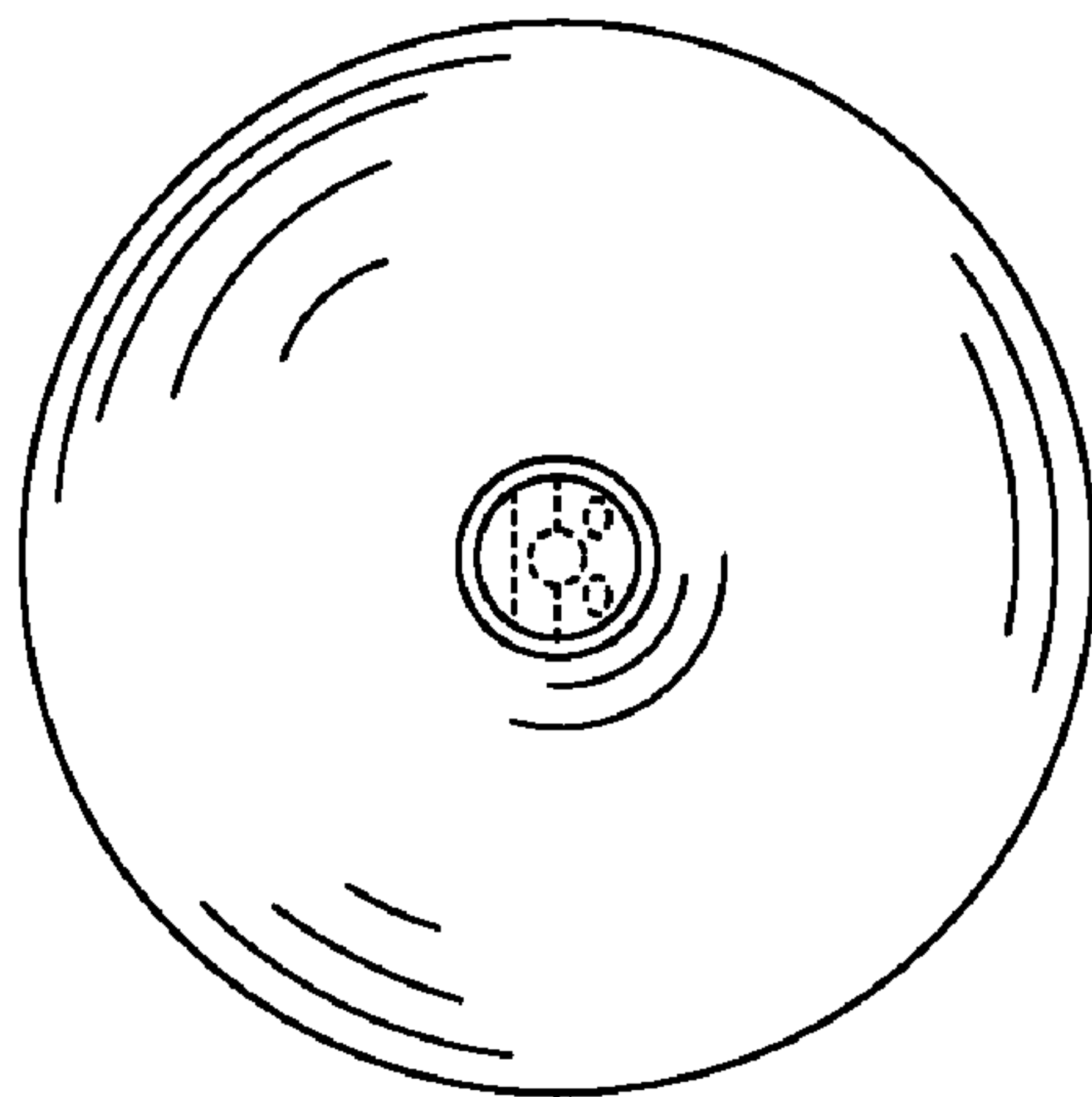


FIG. 9

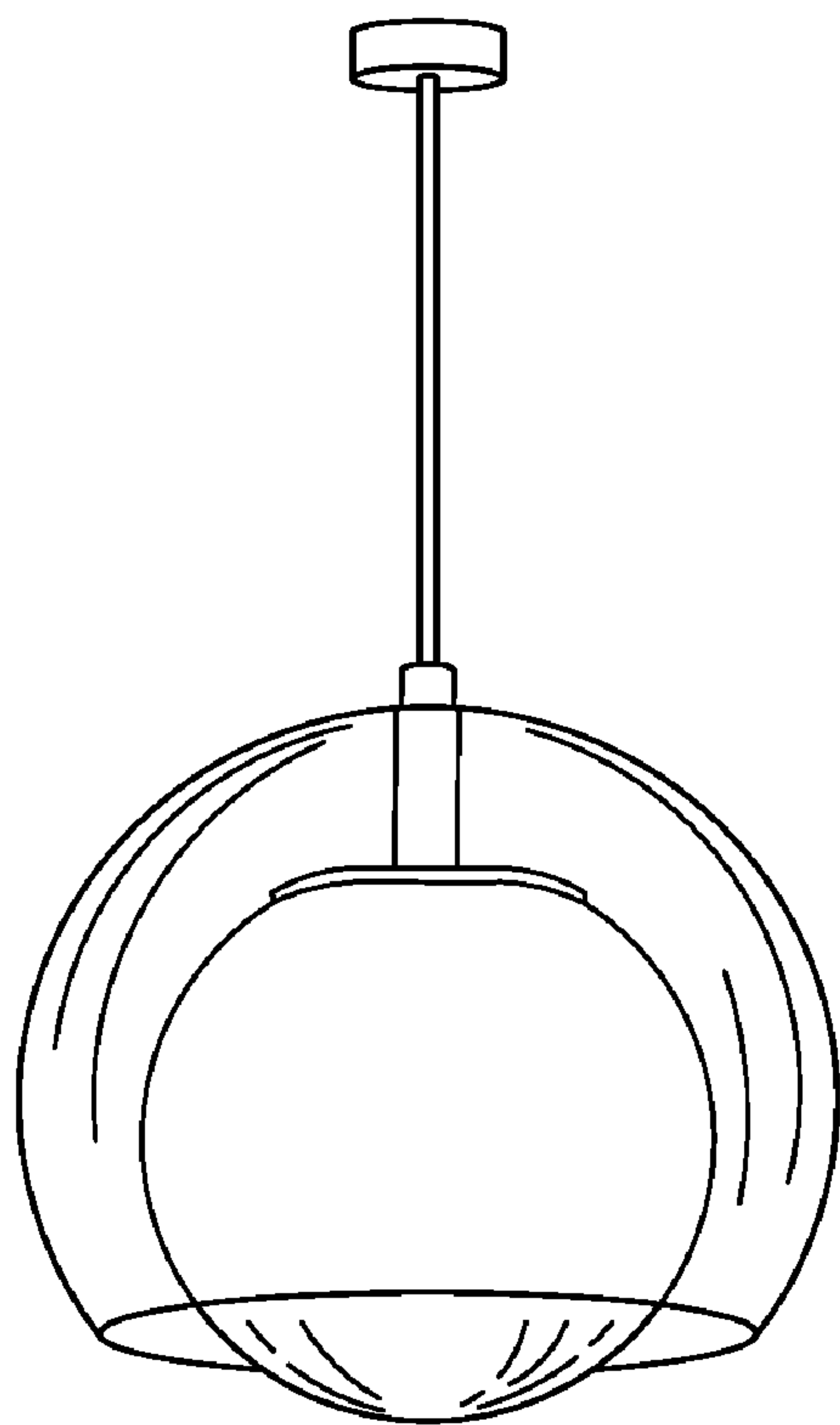


FIG. 10

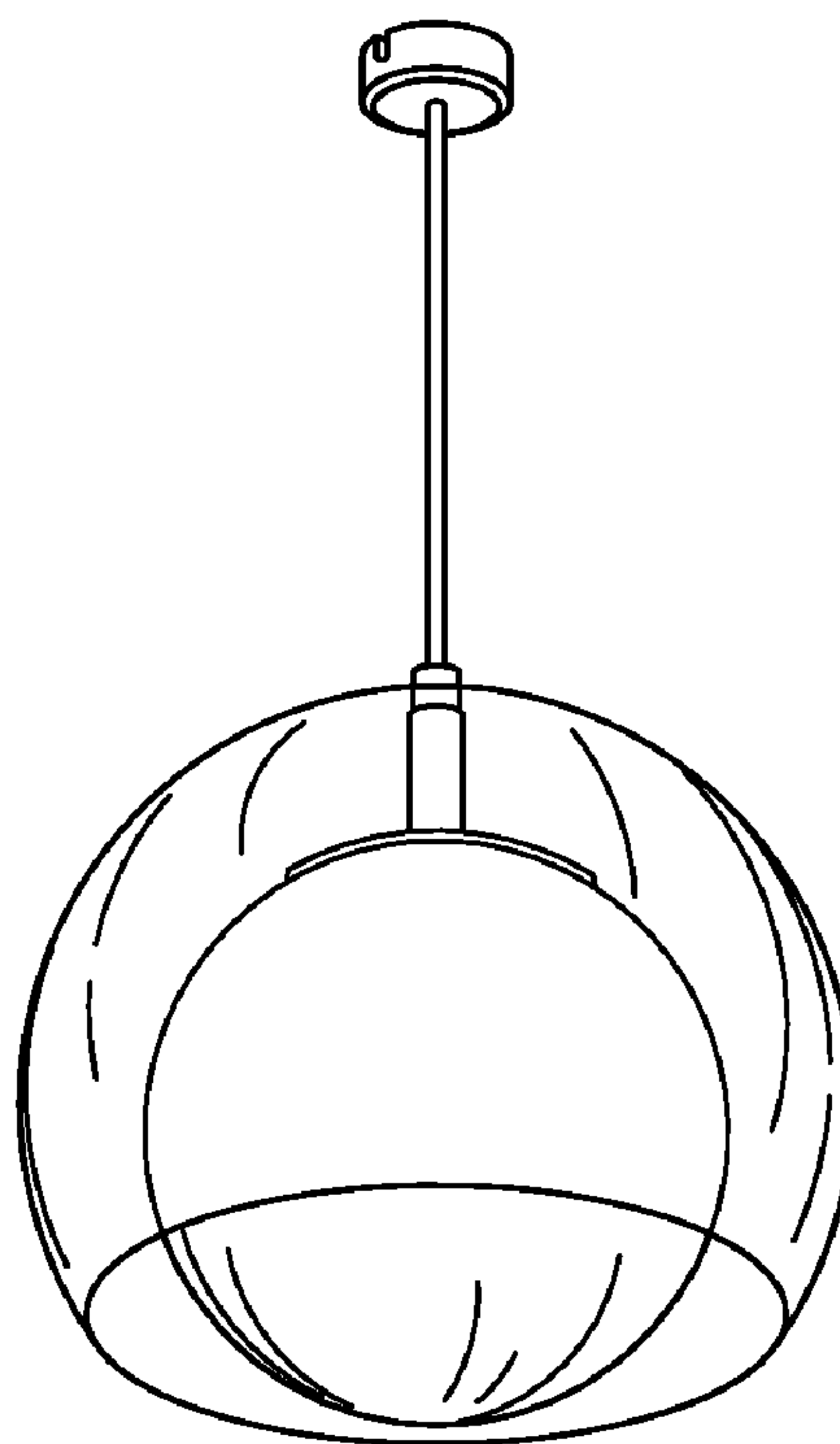


FIG. 11

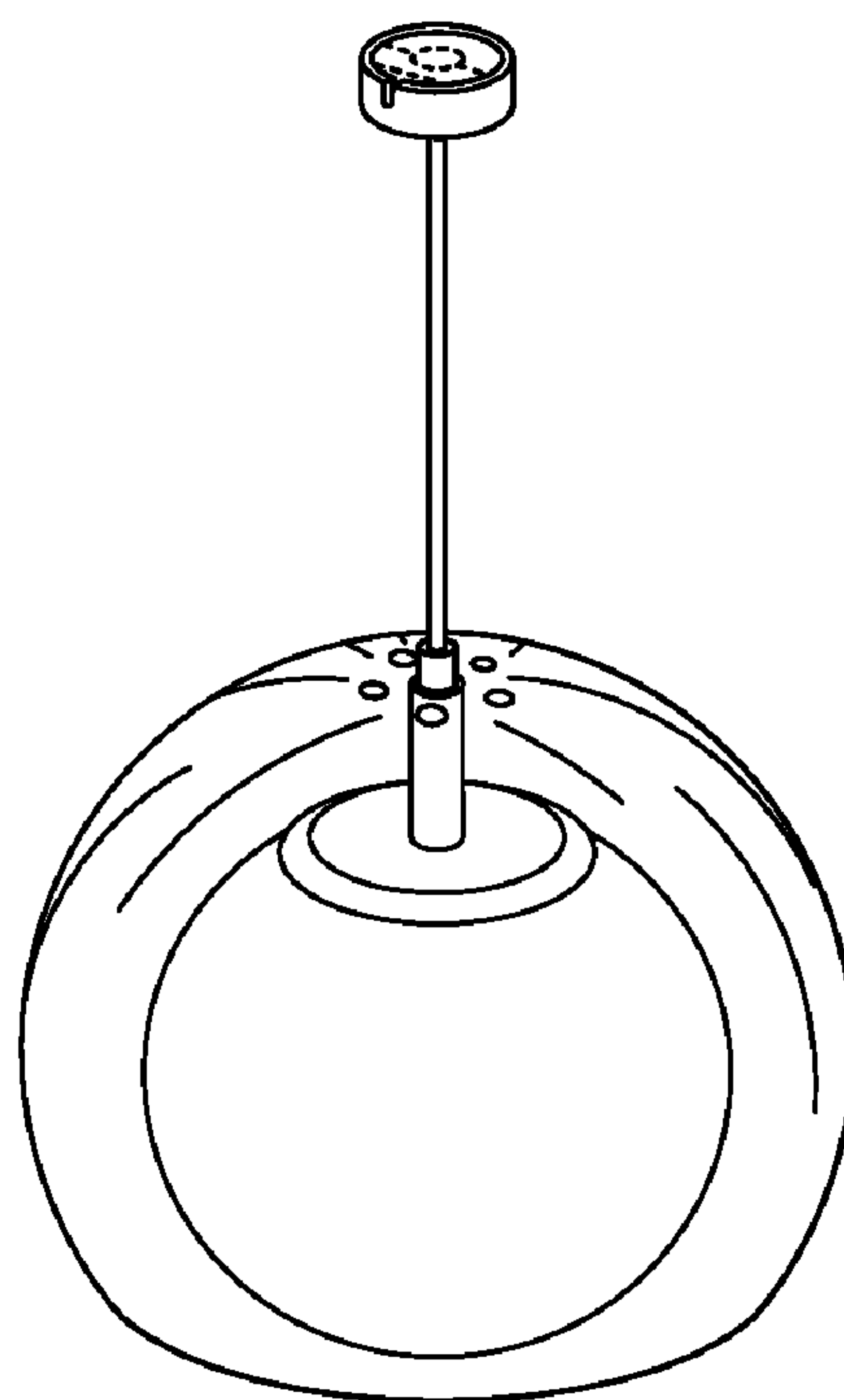


FIG. 12

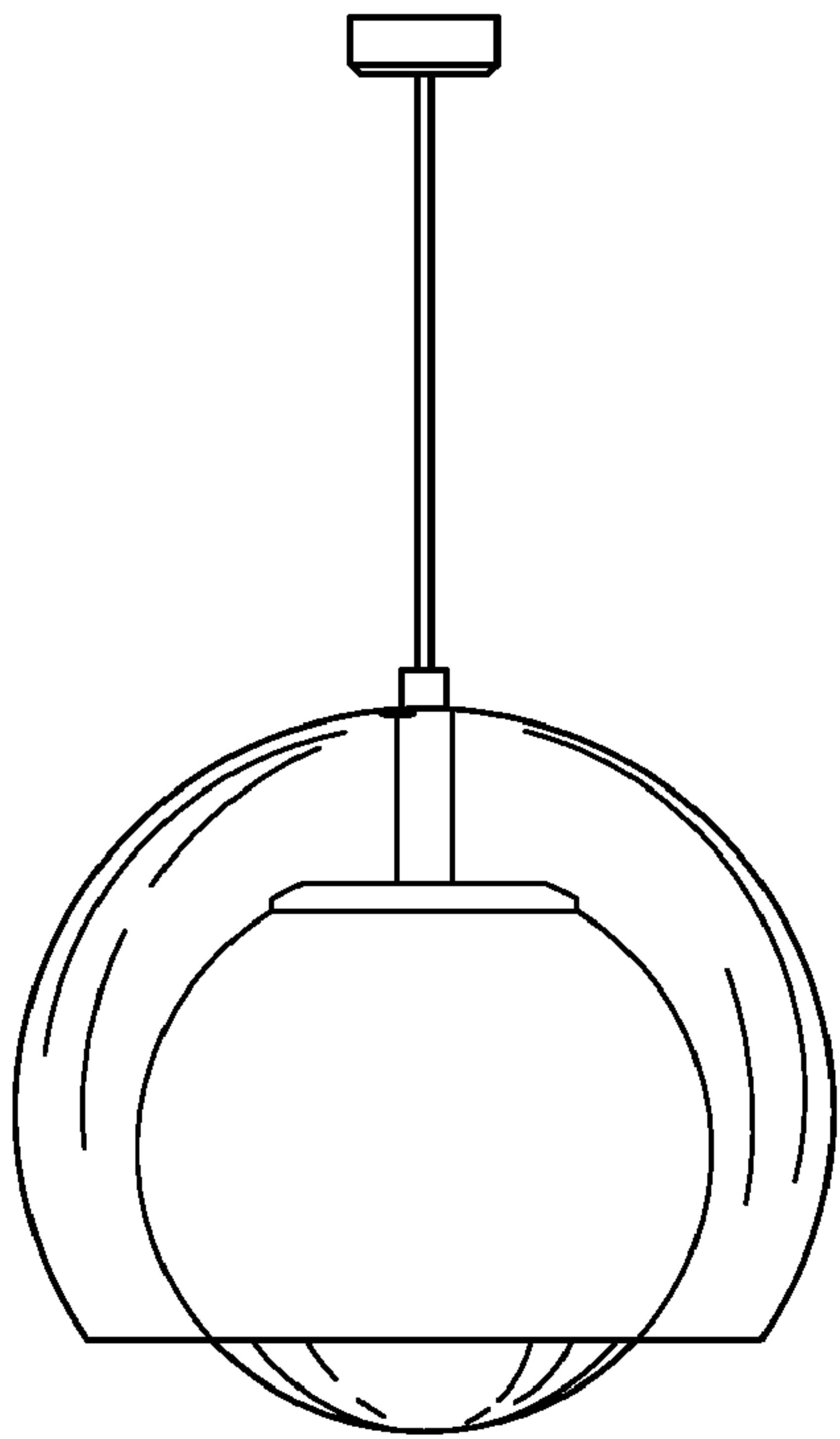


FIG. 13

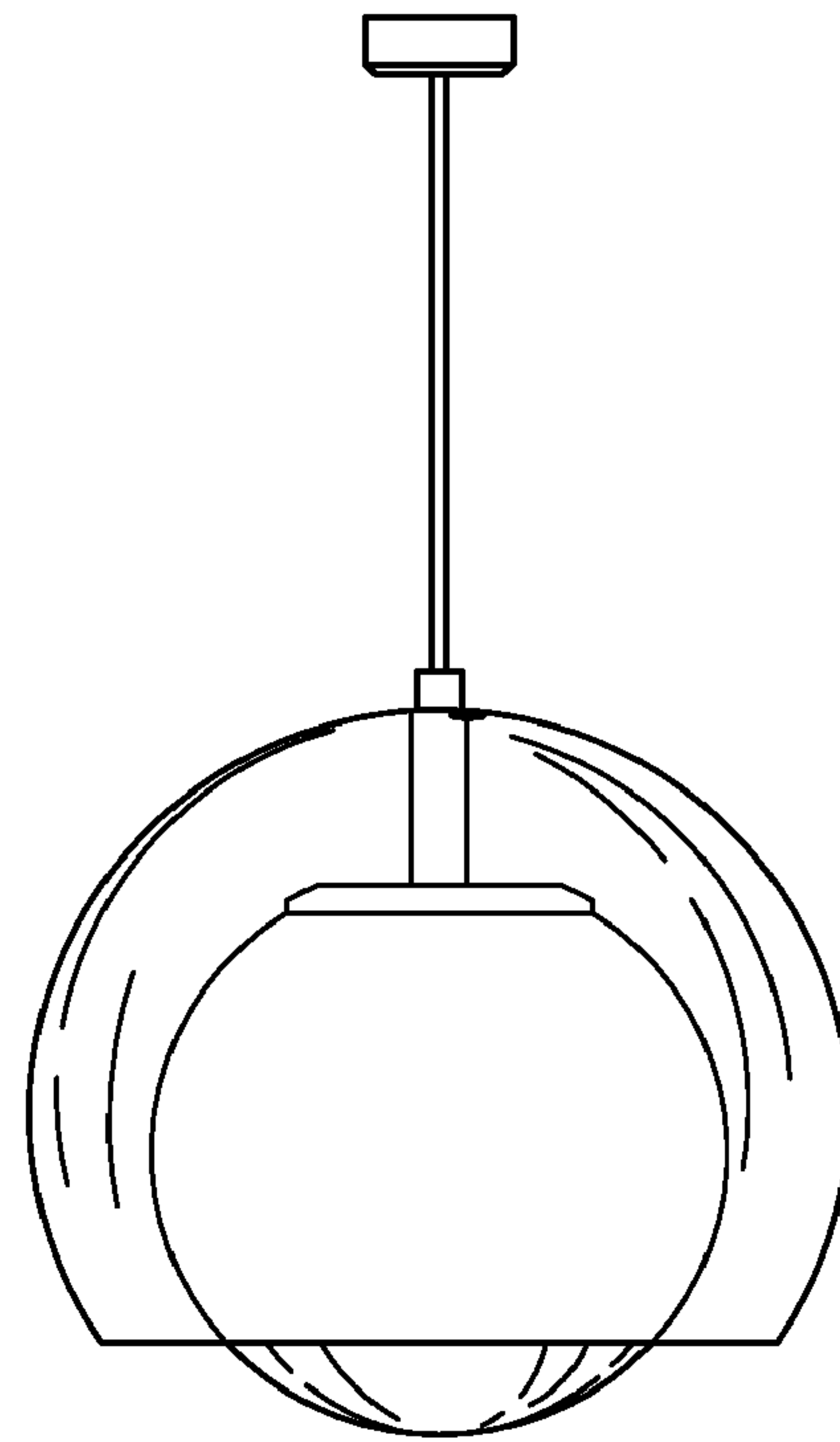


FIG. 14

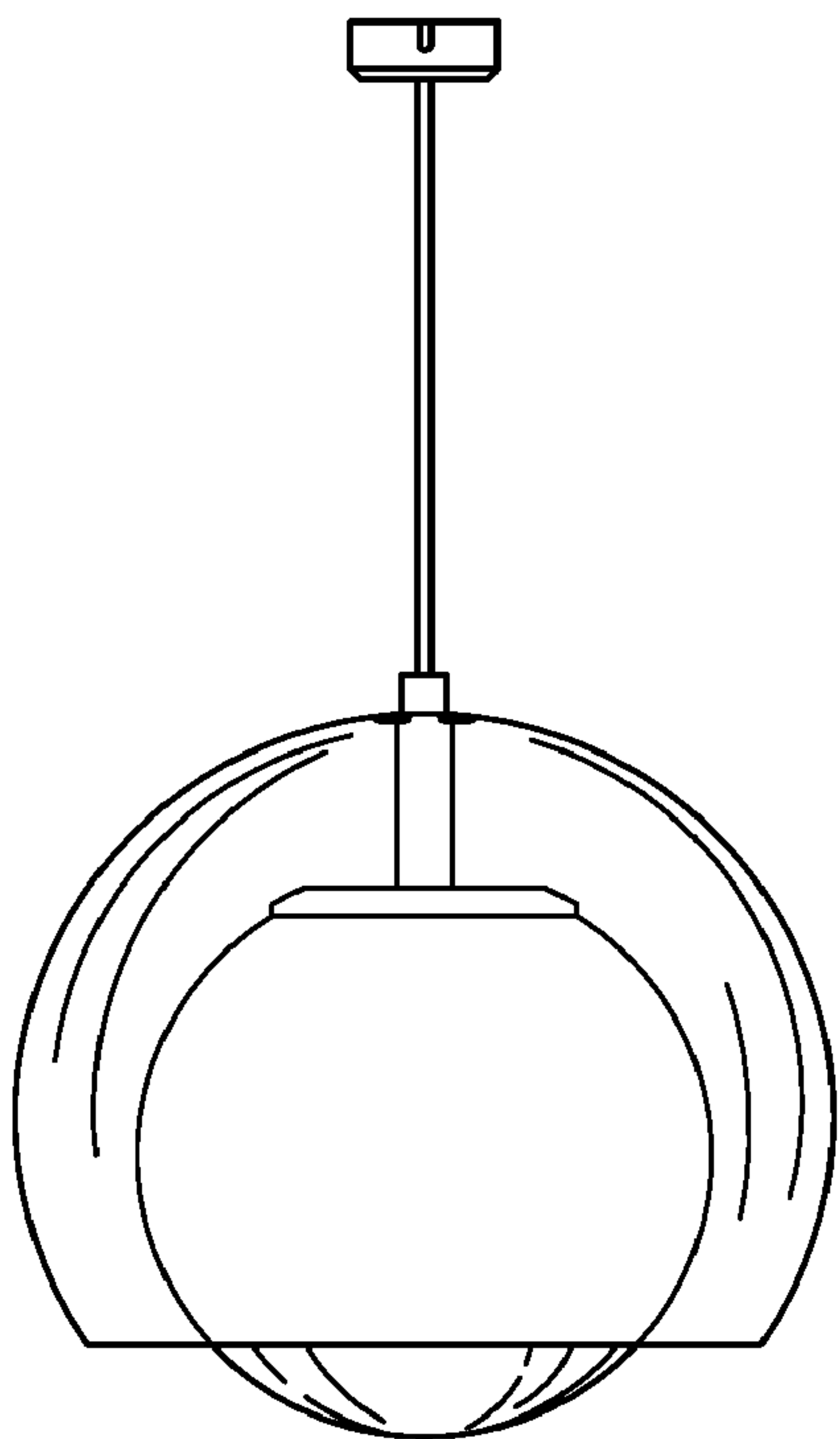


FIG. 15

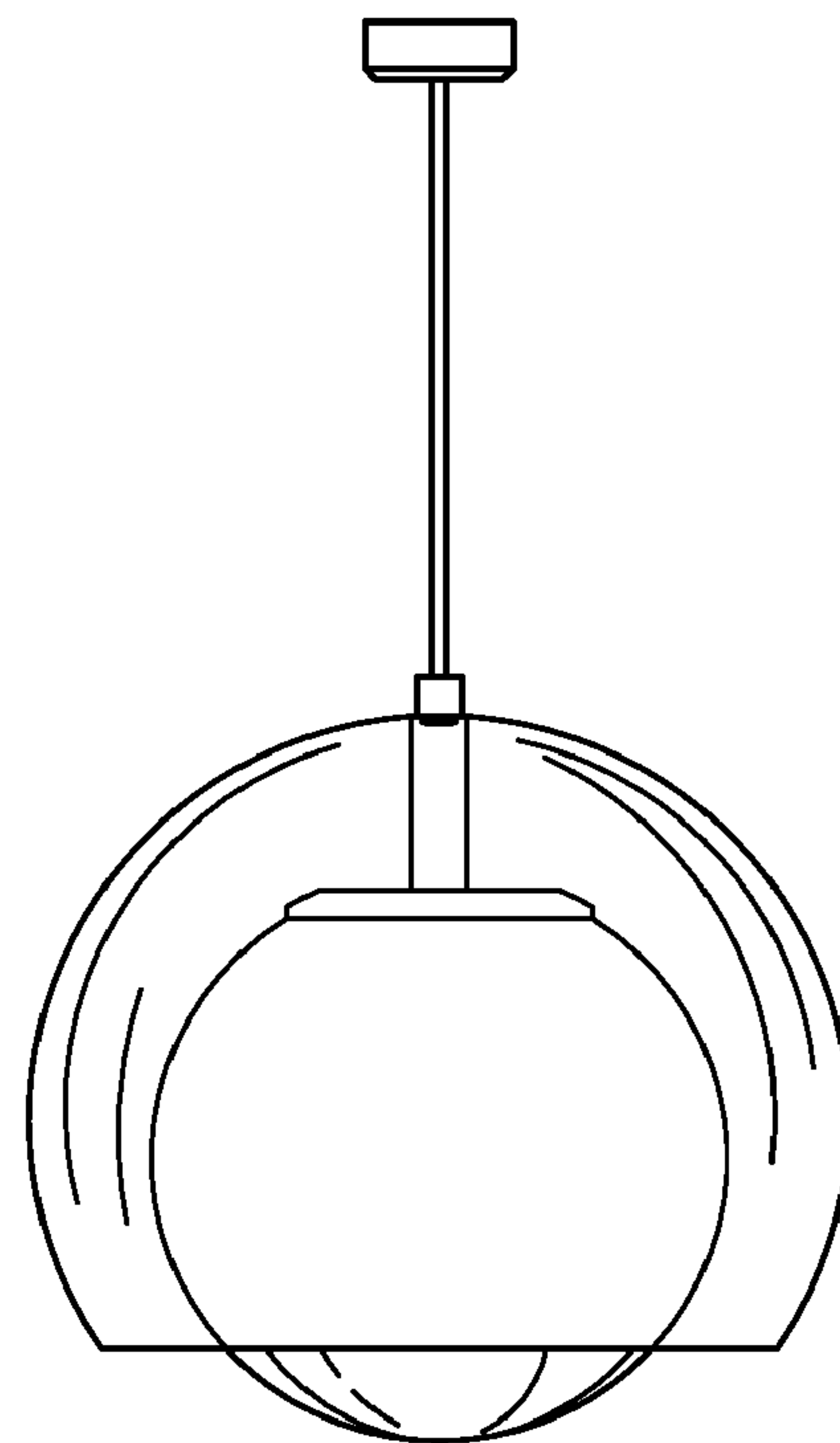


FIG. 16

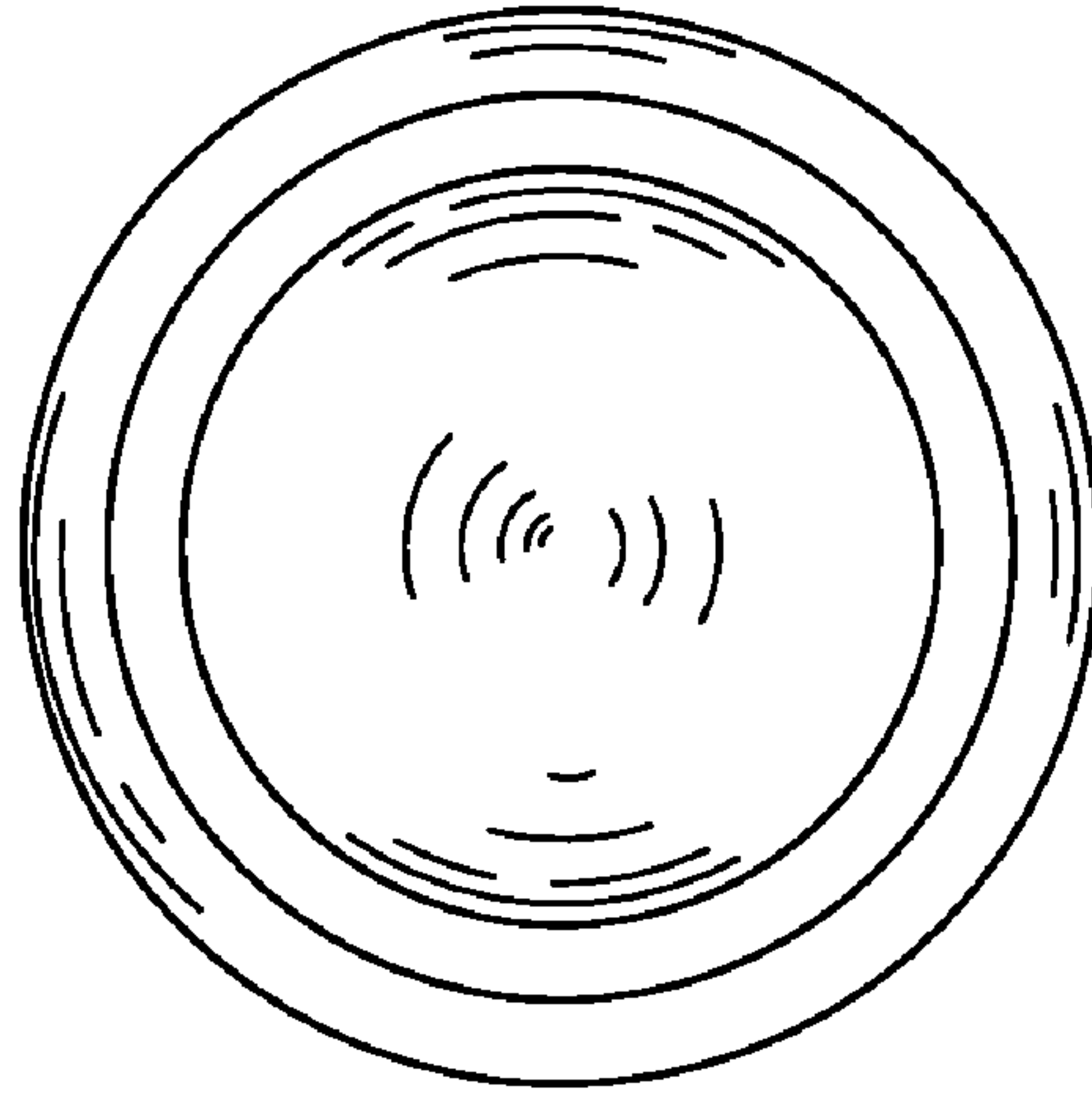


FIG. 17

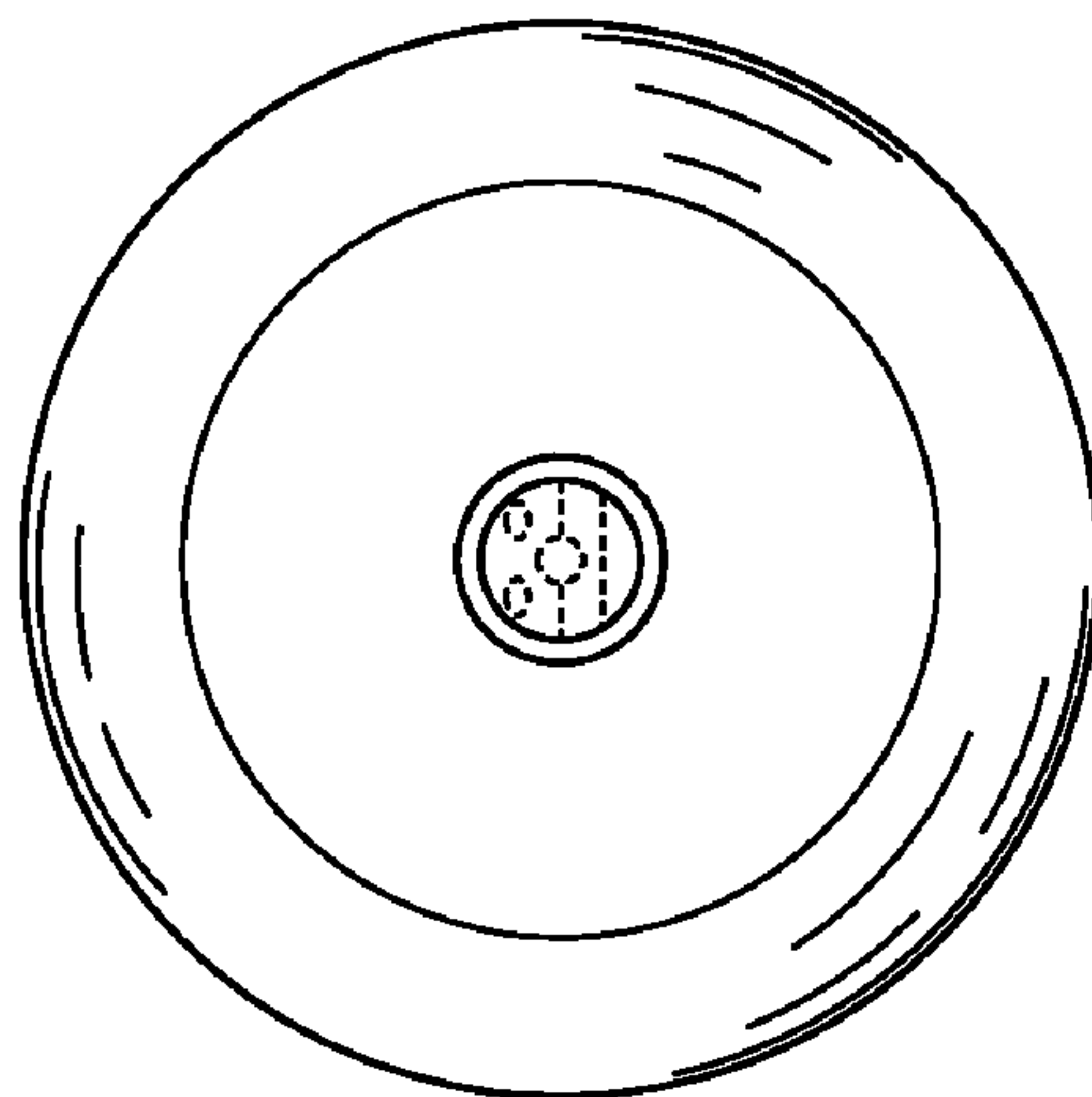


FIG. 18