



US00D596779S

(12) **United States Design Patent**  
**Silver**

(10) **Patent No.:** **US D596,779 S**  
(45) **Date of Patent:** **\*\* Jul. 21, 2009**

(54) **LIGHT FIXTURE**

(75) Inventor: **Remy Silver**, Toronto (CA)

(73) Assignee: **Beta-Calco Inc.**, Ontario (CA)

(\*\*) Term: **14 Years**

(21) Appl. No.: **29/323,633**

(22) Filed: **Aug. 28, 2008**

(30) **Foreign Application Priority Data**

Mar. 28, 2008 (CA) ..... 125399

(51) **LOC (9) Cl.** ..... **26-03**

(52) **U.S. Cl.** ..... **D26/88**

(58) **Field of Classification Search** ..... D26/75,  
D26/76, 79, 81, 83, 84, 85, 86, 88-91, 118,  
D26/138, 141; 362/147, 404-408  
See application file for complete search history.

(56) **References Cited**

**U.S. PATENT DOCUMENTS**

D80,492 S *	2/1930	Rosenblatt	.....	D26/91
D80,493 S *	2/1930	Rosenblatt	.....	D26/91
D80,638 S *	3/1930	Rosenblatt	.....	D26/81
D89,305 S *	2/1933	Hale	.....	D26/88
D163,478 S *	5/1951	Poerner	.....	D26/81
3,258,239 A *	6/1966	Green	.....	362/407
4,499,529 A	2/1985	Figuroa		
D321,407 S	11/1991	Heidmann		
D399,330 S *	10/1998	Geier et al.	.....	D26/88
6,161,939 A	12/2000	Bansbach		

D505,221 S	5/2005	Hetfield	
D509,616 S	9/2005	Hetfield	
D513,439 S	1/2006	Hetfield	
D558,385 S *	12/2007	Bickler et al.	..... D26/88

**OTHER PUBLICATIONS**

All fixtures from the "Sedona" collection shown on p. 394 of the E.L.K. Lighting Catalog 2900. © 2009.\*

\* cited by examiner

*Primary Examiner*—Clare E Heflin

(74) *Attorney, Agent, or Firm*—Renner, Otto, Boisselle & Sklar, LLP

(57) **CLAIM**

The ornamental design for a light fixture, as shown and described.

**DESCRIPTION**

FIG. 1 is a bottom perspective view of the light fixture according to my new design.

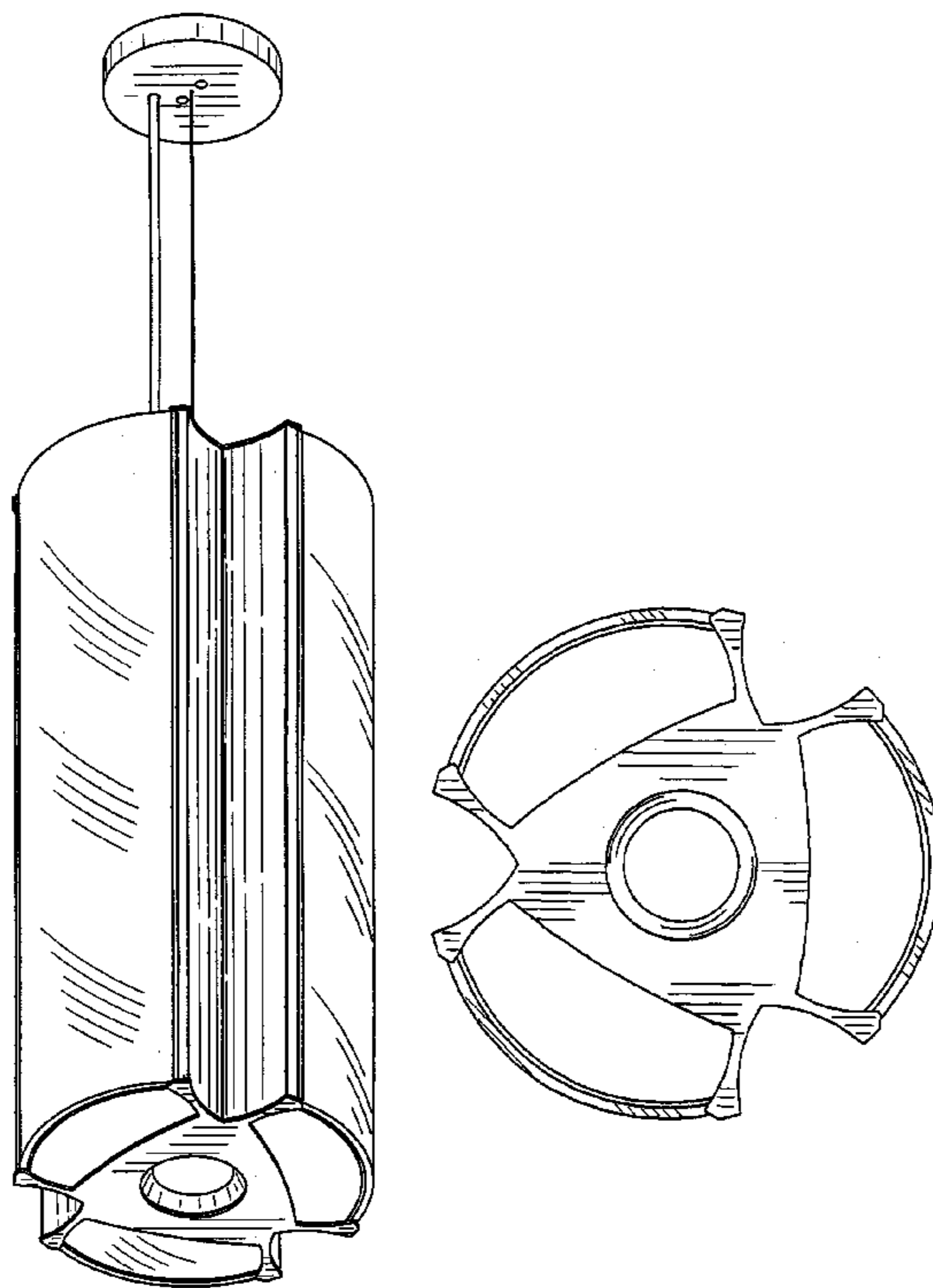
FIG. 2 is a side view of the light fixture shown in FIG. 1.

FIG. 3 is an opposite side view of the light fixture shown in FIG. 1.

FIG. 4 is a bottom view of the light fixture shown in FIG. 1; and,

FIG. 5 is a bottom view of the light fixture according to a second embodiment of my new design, which is identical to the first embodiment except for the absence of the circular opening on the bottom surface thereof.

**1 Claim, 4 Drawing Sheets**



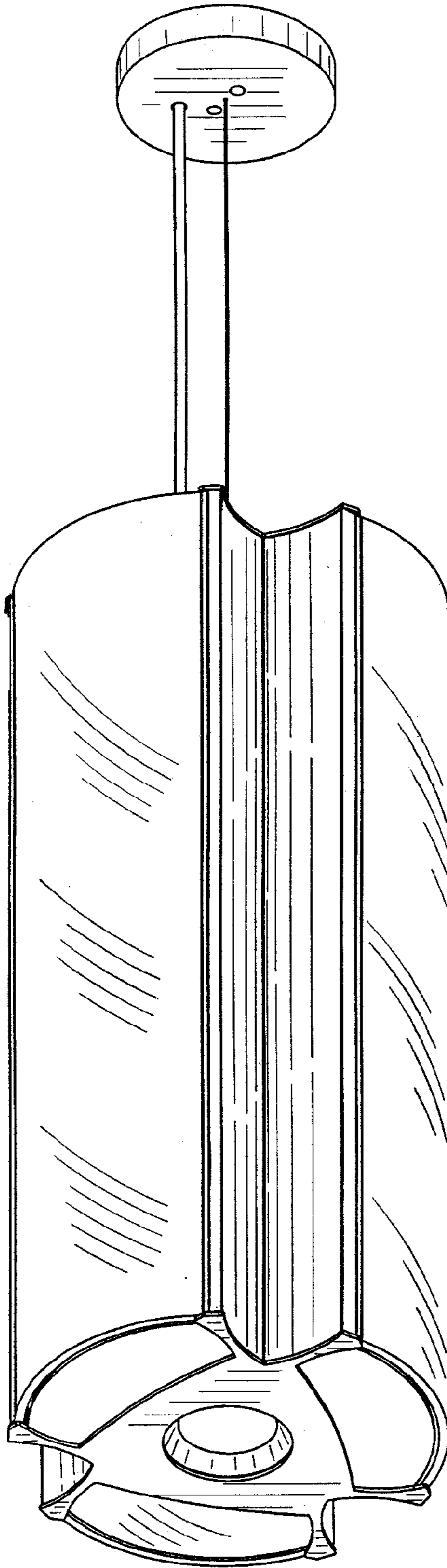


FIG. 1

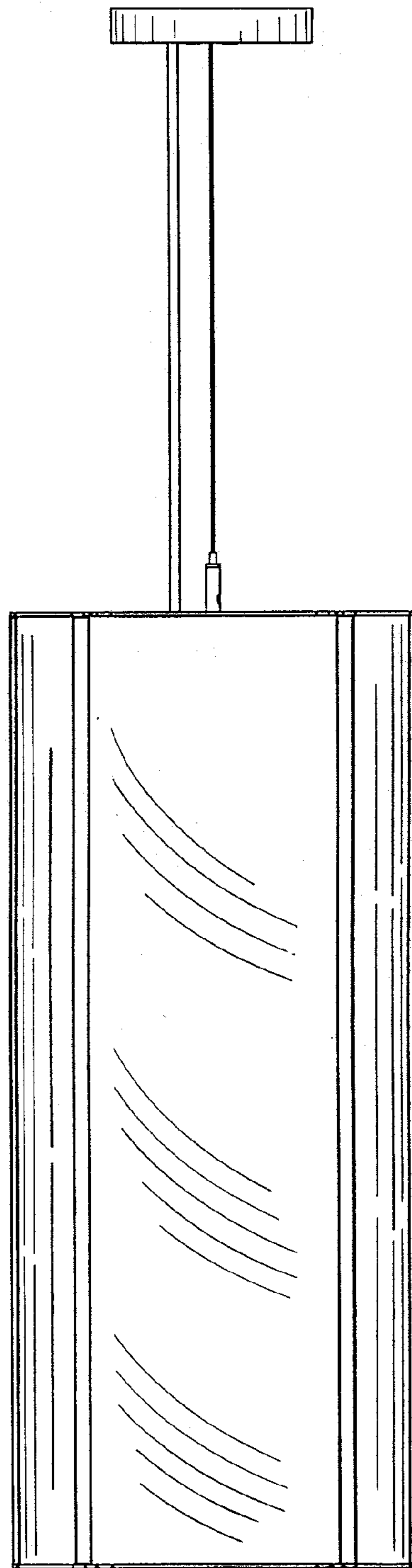


FIG. 2

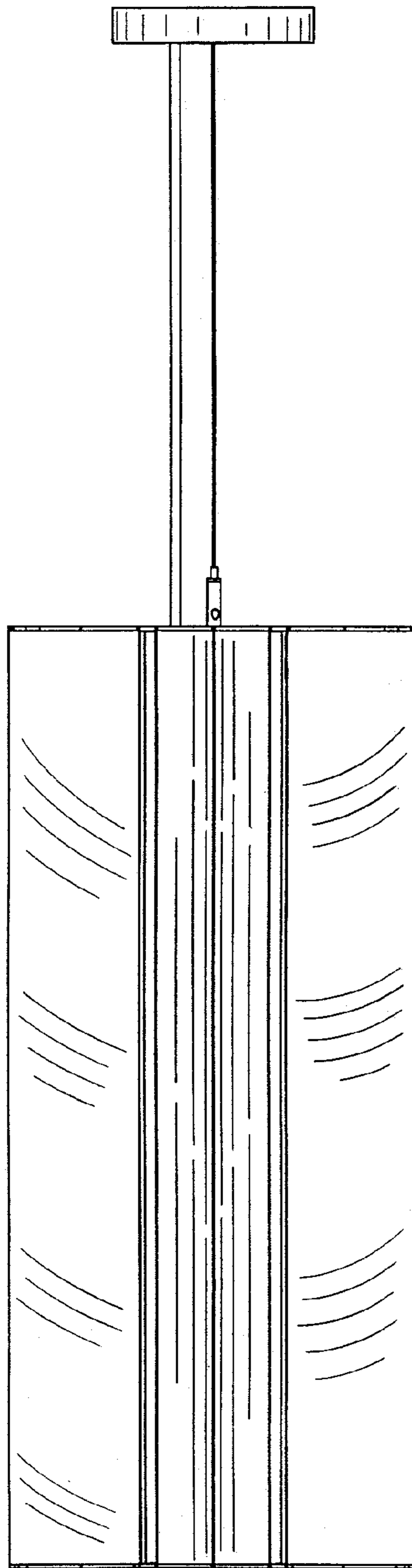
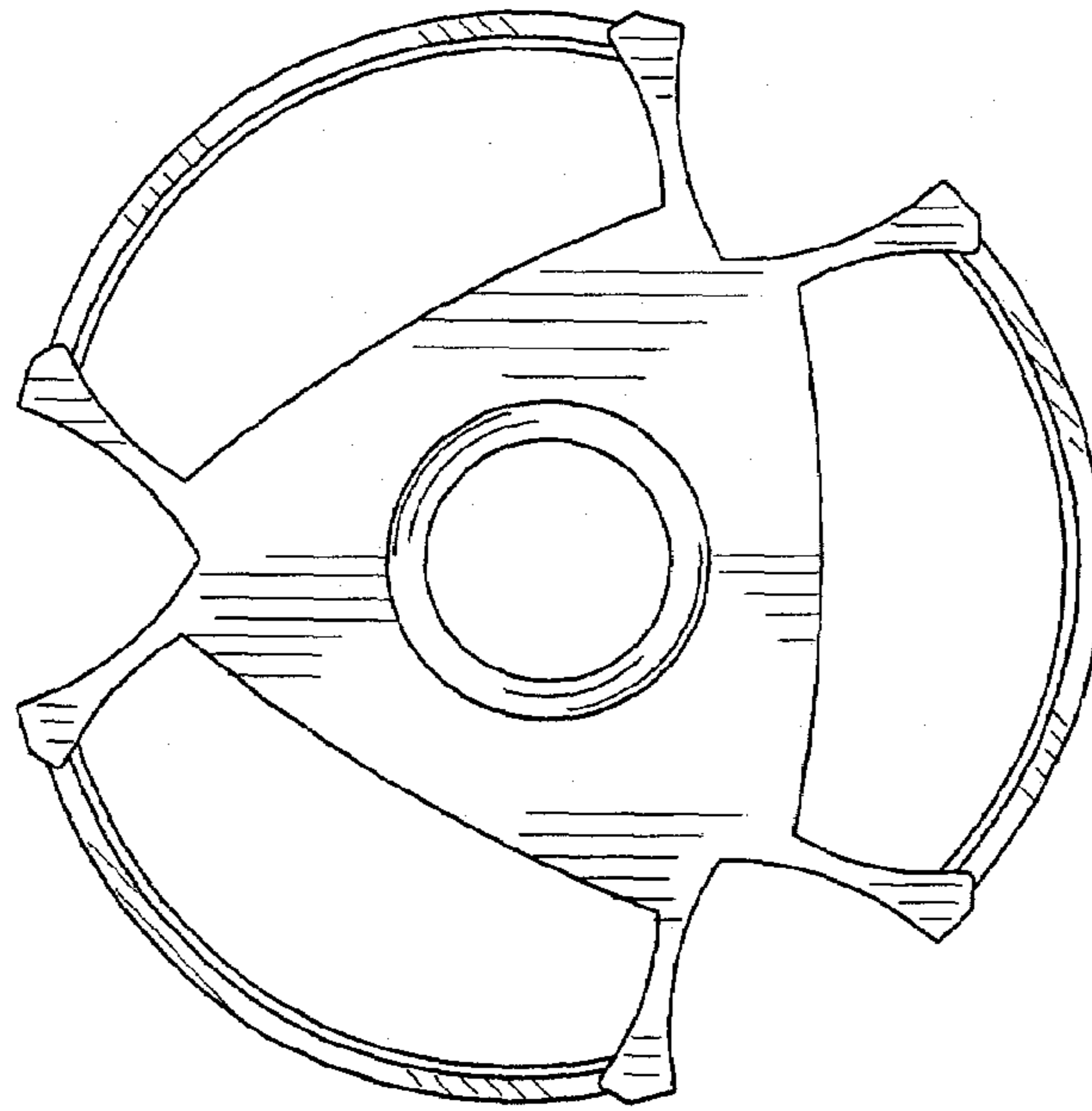
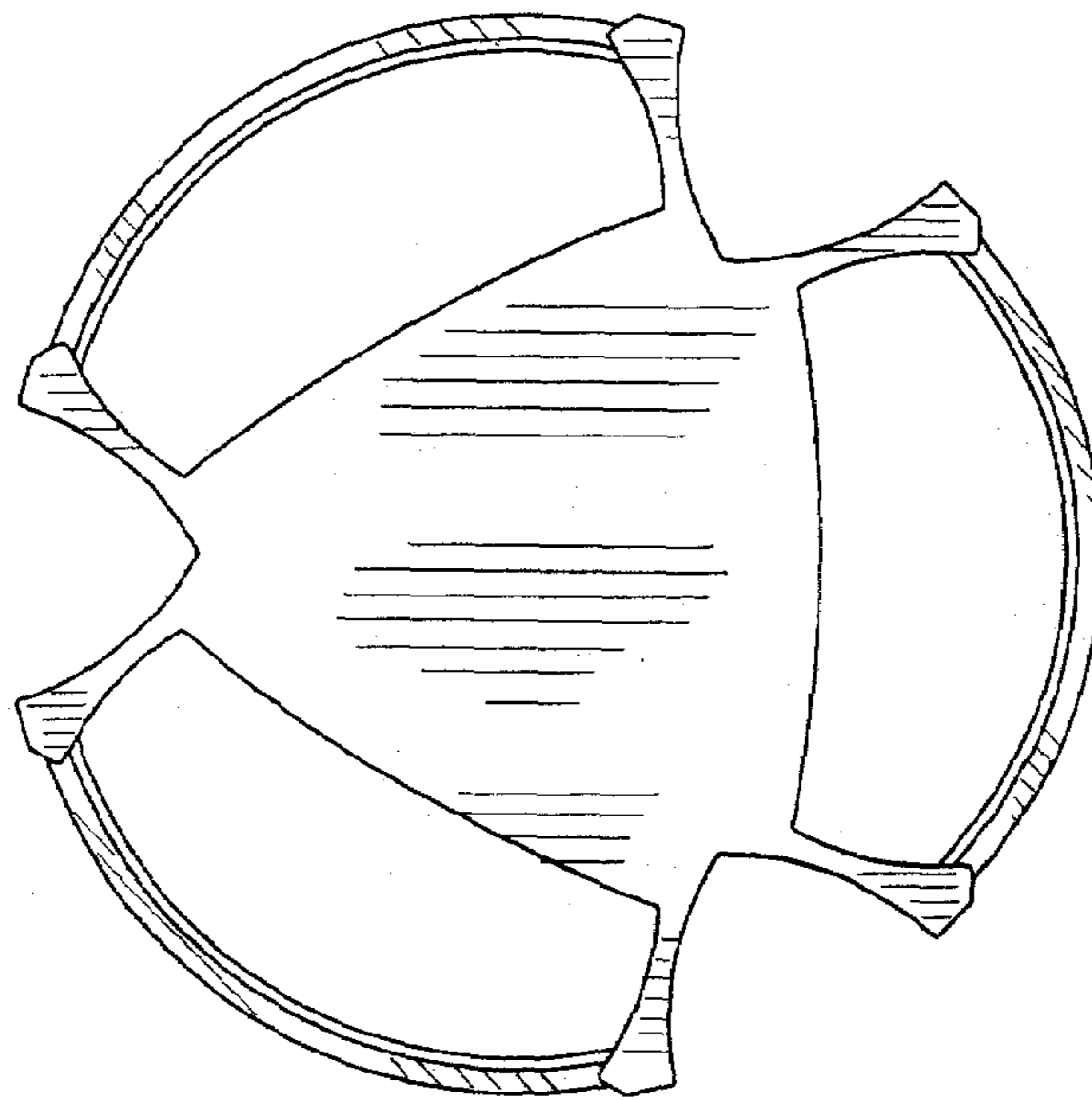


FIG. 3



**FIG. 4**



**FIG. 5**