



US00D596778S

(12) **United States Design Patent**  
**Yamazato**

(10) **Patent No.:** **US D596,778 S**

(45) **Date of Patent:** **\*\* Jul. 21, 2009**

(54) **WALL LIGHT**

(75) Inventor: **Masaya Yamazato**, Tokyo (JP)

(73) Assignee: **Sugatsune Kogyo Co., Ltd.** (JP)

(\*\*) Term: **14 Years**

(21) Appl. No.: **29/290,369**

(22) Filed: **Nov. 28, 2007**

(30) **Foreign Application Priority Data**

Jun. 1, 2007 (JP) ..... 2007-014687

(51) **LOC (9) Cl.** ..... **26-03**

(52) **U.S. Cl.** ..... **D26/76**

(58) **Field of Classification Search** ..... D26/2,  
D26/24, 35, 61, 7, 72, 74-79, 81-92, 118,  
D26/122; 362/147, 217-225, 132, 260-263,  
362/267, 283, 337, 347, 364; 43/113; D23/372,  
D23/328, 385; D14/209; 52/98

See application file for complete search history.

(56) **References Cited**

**U.S. PATENT DOCUMENTS**

2,700,095 A \* 1/1955 Needham ..... 219/220  
2,713,631 A \* 7/1955 Spinetta ..... 362/225  
2,864,939 A \* 12/1958 Bodian et al. .... 362/222  
D192,878 S \* 5/1962 Miller ..... D26/76  
3,109,599 A \* 11/1963 Franck et al. .... 362/218  
D284,110 S \* 6/1986 Mullins ..... D26/76

4,622,624 A \* 11/1986 McCarthy et al. .... 362/217  
D393,734 S \* 4/1998 Casteel ..... D26/76  
D427,706 S \* 7/2000 Irvine ..... D26/76  
D428,508 S \* 7/2000 Irvine ..... D26/76  
D494,700 S \* 8/2004 Hartman et al. .... D26/76  
7,261,436 B2 \* 8/2007 Haugaard et al. .... 362/225  
2006/0023445 A1 \* 2/2006 Haugaard et al. .... 362/225

\* cited by examiner

*Primary Examiner*—Robert M Spear

*Assistant Examiner*—Susan E Krakower

(74) *Attorney, Agent, or Firm*—Bacon & Thomas, PLLC

(57) **CLAIM**

The ornamental design for wall light, as shown and described.

**DESCRIPTION**

FIG. 1 is a front view of wall light embodying my new design;

FIG. 2 is a rear view thereof;

FIG. 3 is a top plan view thereof;

FIG. 4 is a left side view thereof;

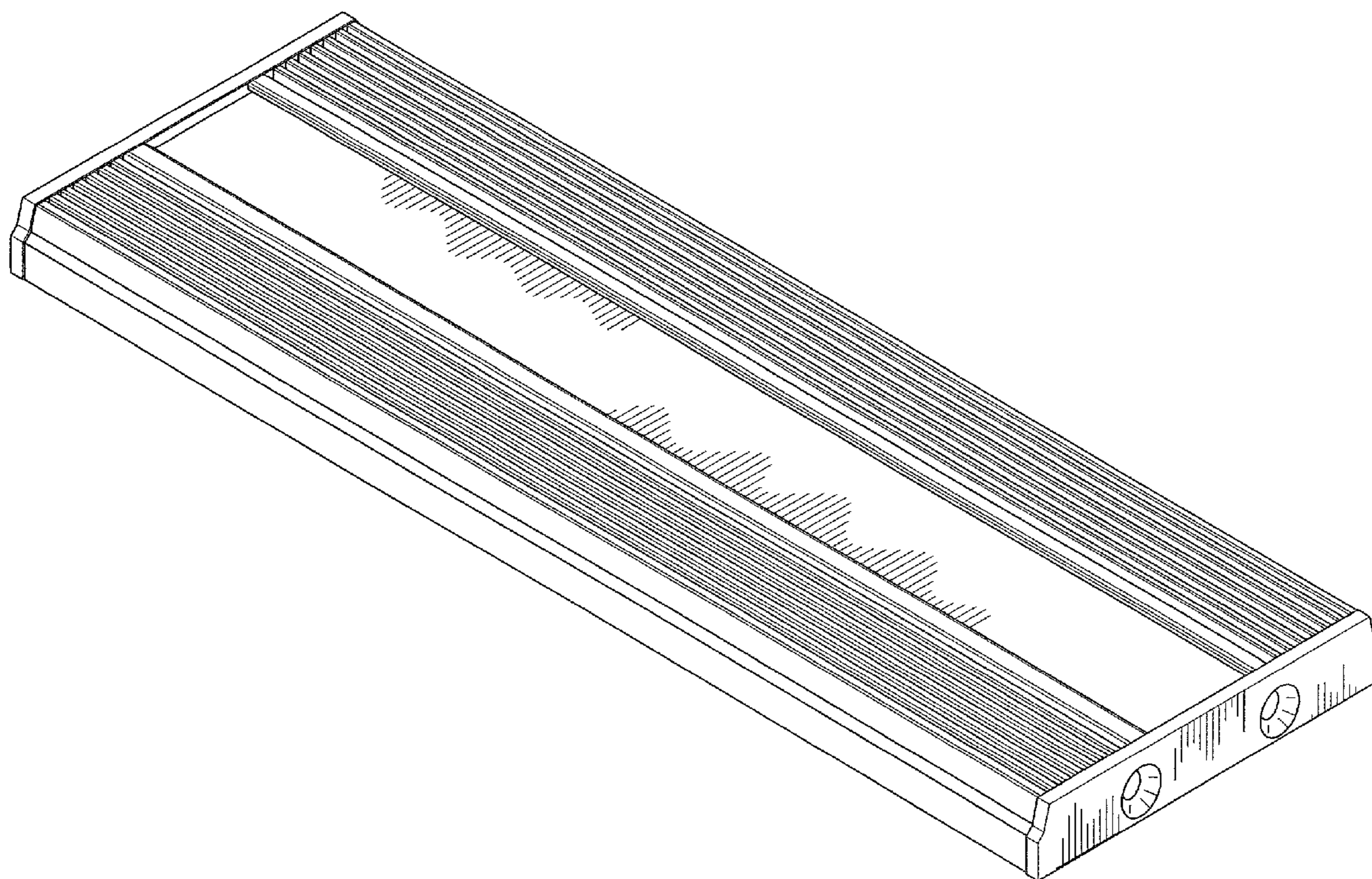
FIG. 5 is an enlarged cross-sectional view thereof, taken along line 5—5 of FIG. 2;

FIG. 6 is an enlarged partial front view thereof, taken along lines 6—6 of FIG. 1; and,

FIG. 7 is a perspective view thereof.

The broken lines illustrate components of the wall light which form no part of the claimed design.

**1 Claim, 5 Drawing Sheets**



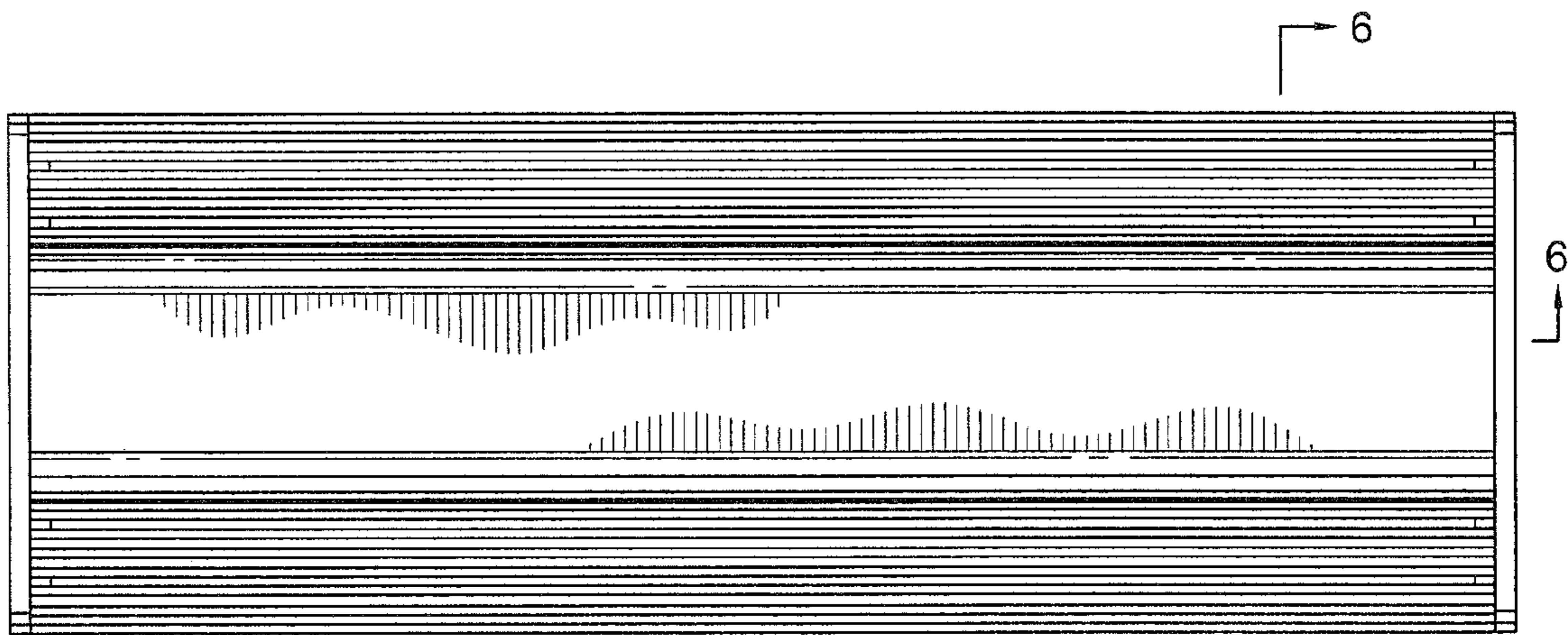


FIG. 1

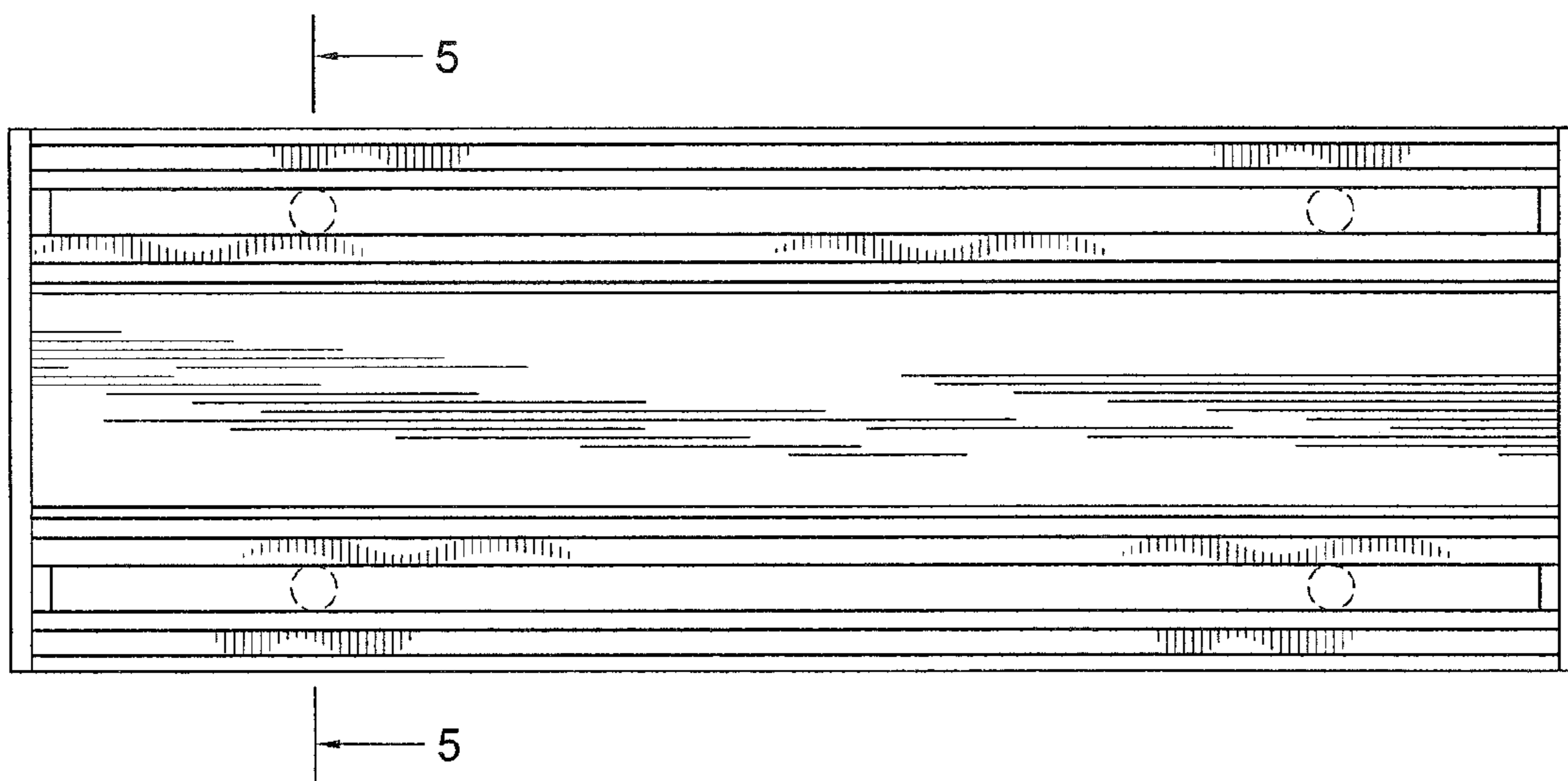
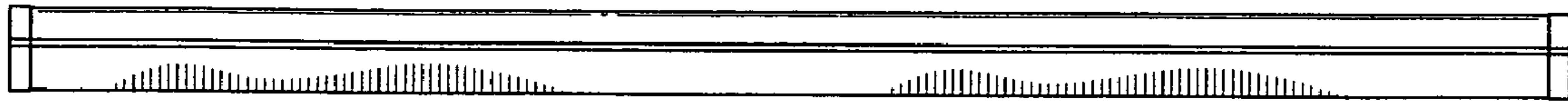
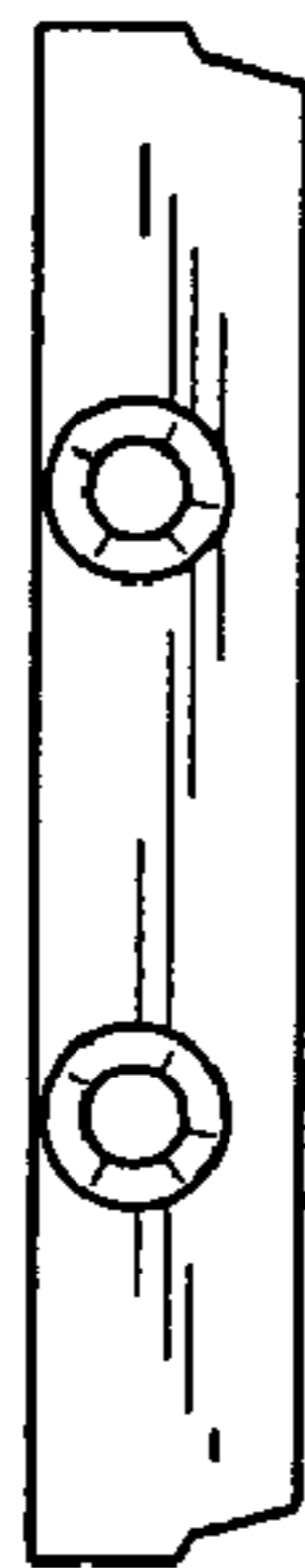


FIG. 2



**FIG. 3**



**FIG. 4**

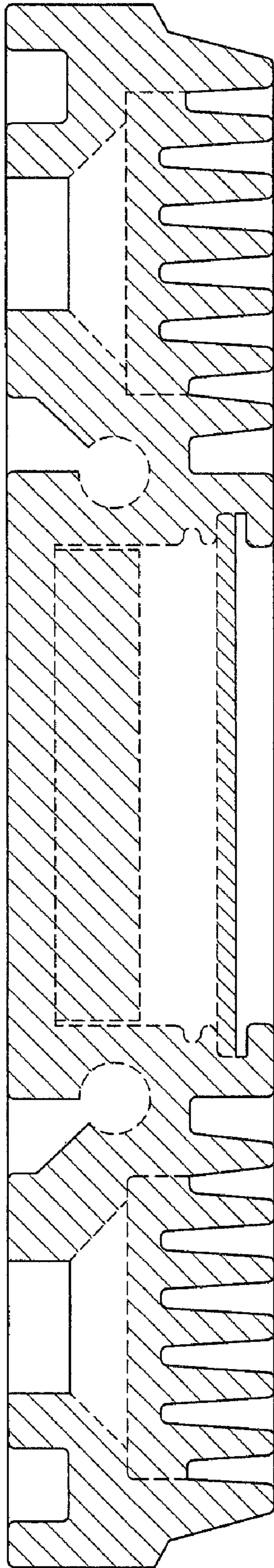


FIG. 5

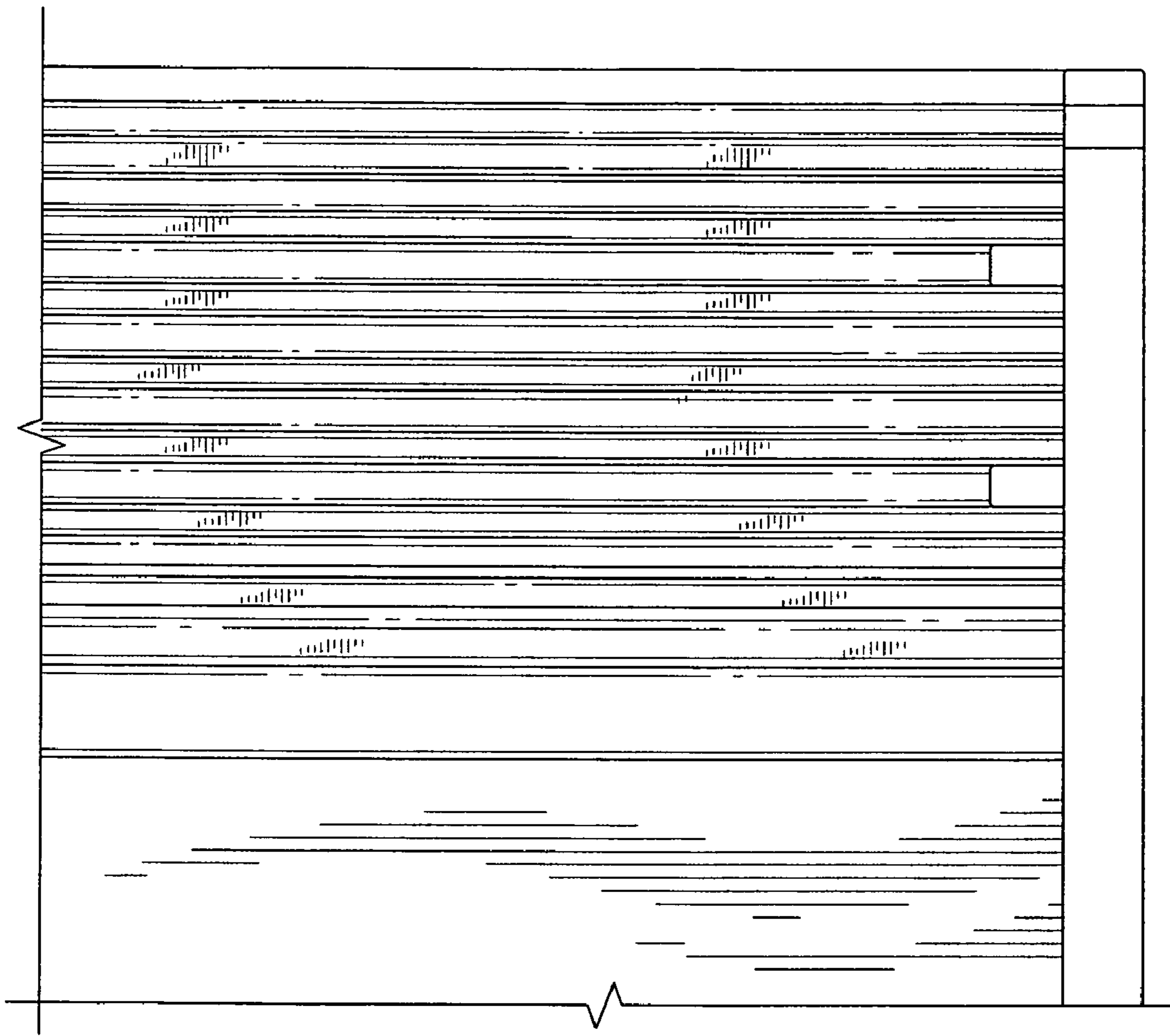


FIG. 6

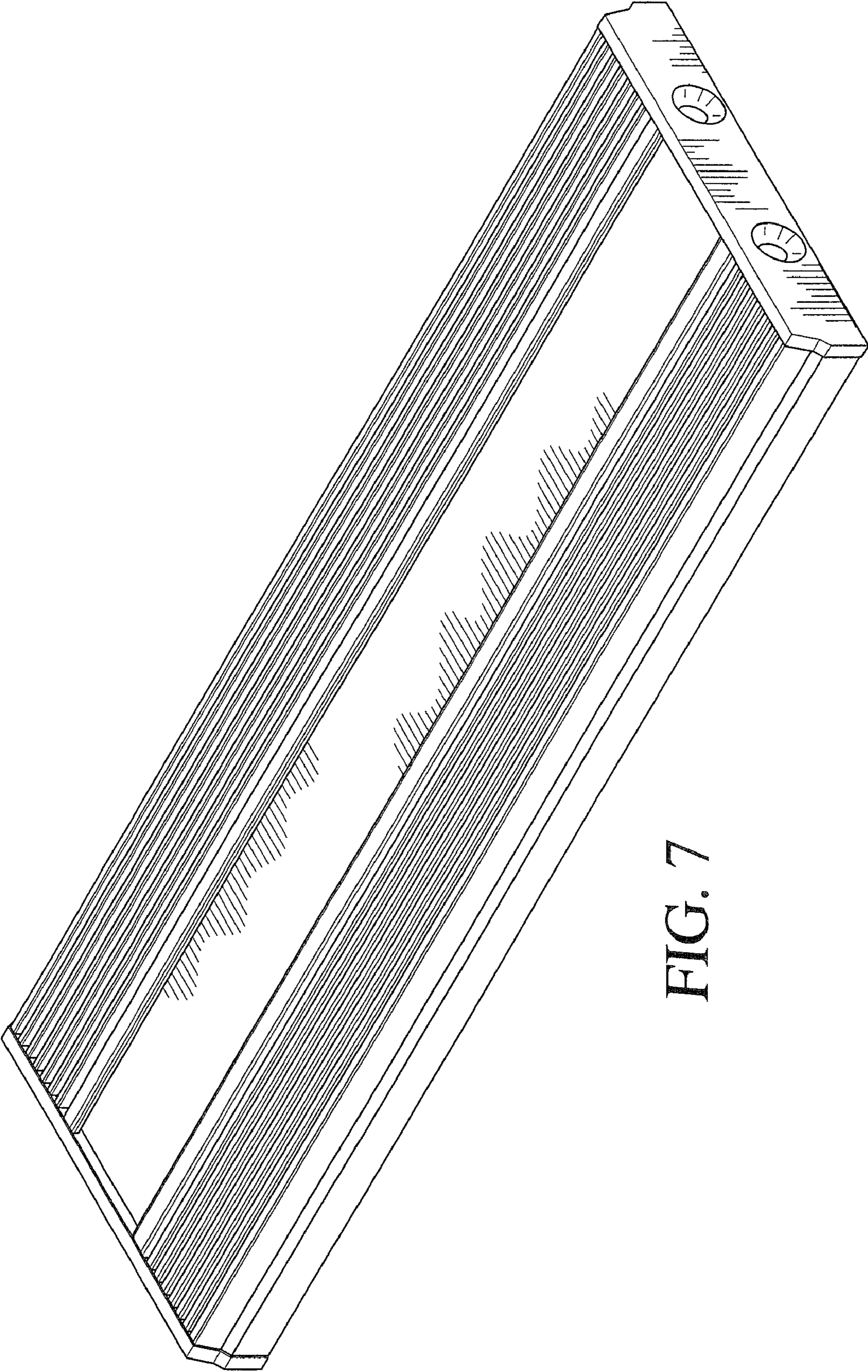


FIG. 7