

US00D596774S

(12) **United States Design Patent**
Vines

(10) **Patent No.:** **US D596,774 S**

(45) **Date of Patent:** **** Jul. 21, 2009**

(54) **LIGHT WITH RECEPTACLES AND STAND**

D519,238 S * 4/2006 Leen D26/119

(76) **Inventor:** **Steven Winston Vines**, 3590 Port
Tobacco Rd., Nanjemoy, MD (US)
20662

* cited by examiner

Primary Examiner—Ian Simmons
Assistant Examiner—Carissa C Fitts

(**) **Term:** **14 Years**

(57) **CLAIM**

(21) **Appl. No.:** **29/305,147**

The ornamental design for a light with receptacles and stand,
as shown and described.

(22) **Filed:** **Mar. 14, 2008**

(51) **LOC (9) Cl.** **26-05**

(52) **U.S. Cl.** **D26/51**

(58) **Field of Classification Search** D26/38,
D26/42, 40, 44, 37; 362/601–606, 612, 157,
362/158, 185, 186, 190, 191, 194, 197
See application file for complete search history.

DESCRIPTION

FIG. 1 is a perspective view of a light with receptacles and stand, illustrated with covers of the invention in a closed position, showing my new design;

FIG. 2 is a perspective view of the invention, illustrated with the covers in an open position;

FIG. 3 is a front elevational view of the invention, illustrated with the covers in the closed position;

FIG. 4 is a rear elevational view of the invention, illustrated with the covers in the closed position;

FIG. 5 is a left-side elevational view of the invention, illustrated with the covers in the closed position;

FIG. 6 is a right-side elevational view of the invention, illustrated with the covers in the closed position;

FIG. 7 is a top plan view of the invention, illustrated with the covers in the closed position; and,

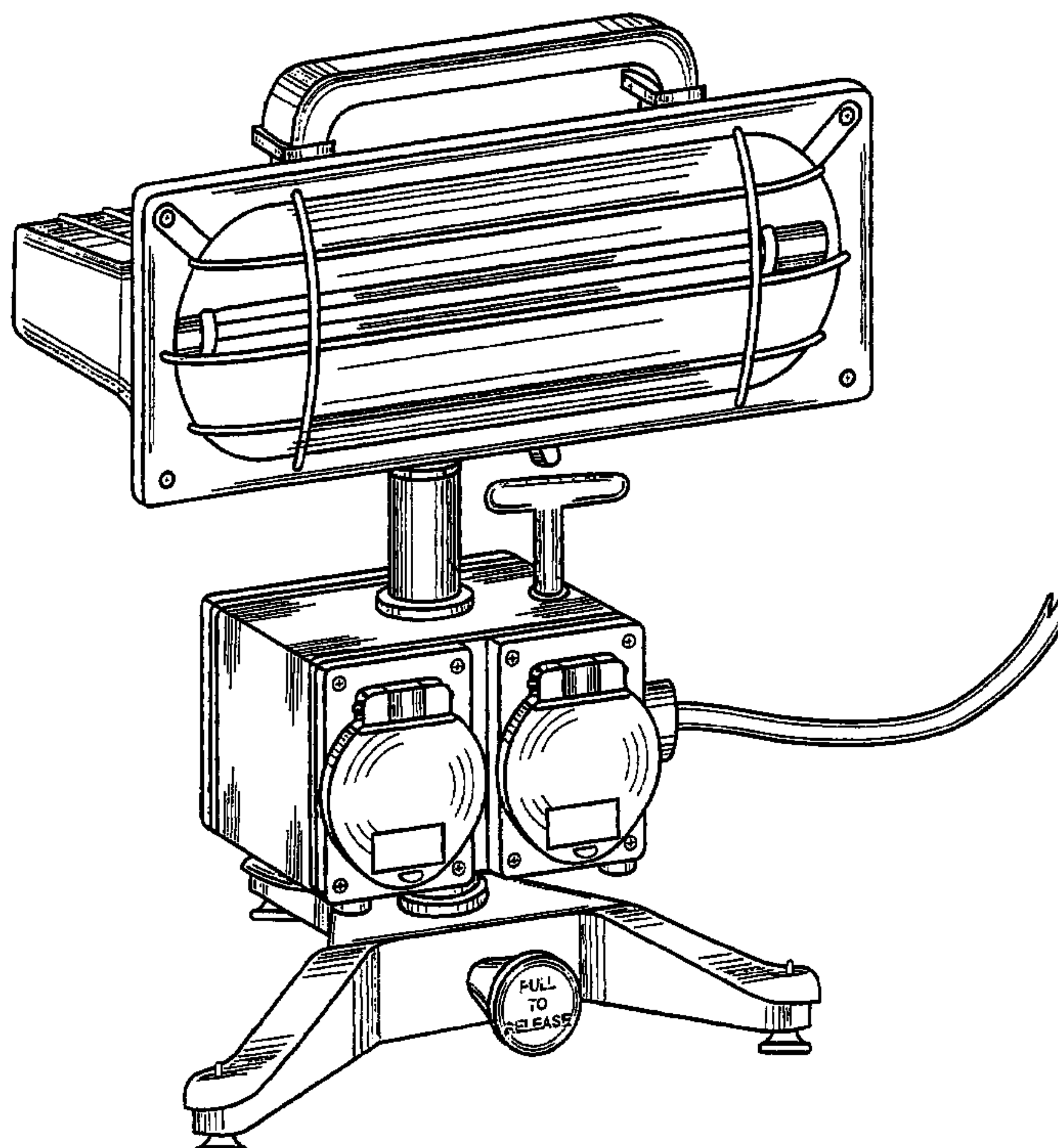
FIG. 8 is a bottom plan view of the invention, illustrated with the covers in the closed position.

(56) **References Cited**

U.S. PATENT DOCUMENTS

D385,640 S *	10/1997	Leen	D26/63
D388,209 S *	12/1997	Grossman et al.	D26/63
D403,094 S *	12/1998	Grossman et al.	D26/63
D403,455 S *	12/1998	Duennes	D26/50
D440,678 S *	4/2001	Yuen	D26/44
D449,398 S *	10/2001	Tsao	D26/63
6,450,660 B1 *	9/2002	Lee	362/207
D471,661 S *	3/2003	Reisbord	D26/40
D486,261 S *	2/2004	Tsai	D26/63
D486,599 S *	2/2004	Bayat et al.	D26/63
D492,433 S *	6/2004	Leen	D26/40
D493,554 S *	7/2004	Leen	D26/40
D505,220 S *	5/2005	Stekelenburg	D26/61

1 Claim, 8 Drawing Sheets



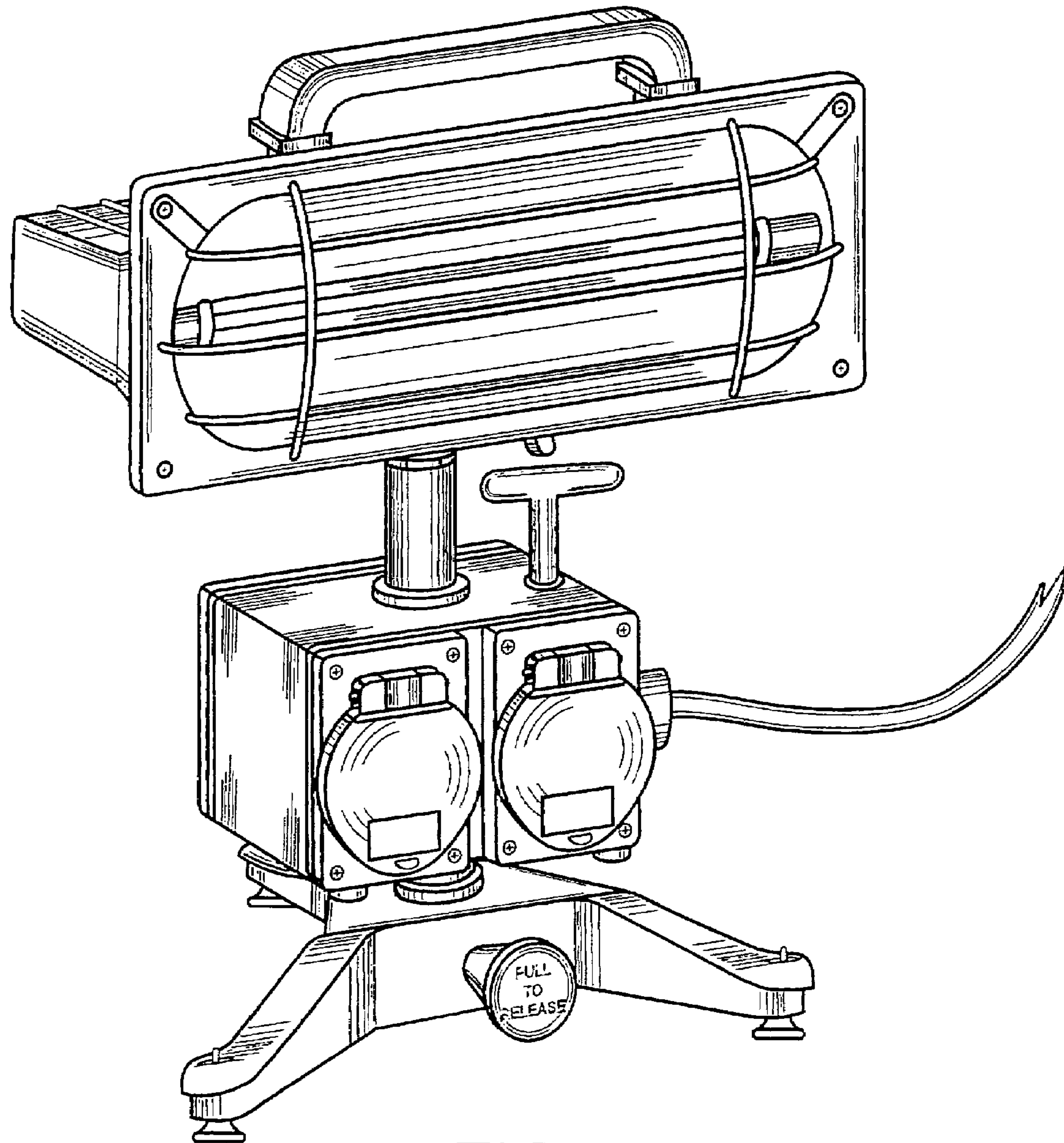


FIG. 1

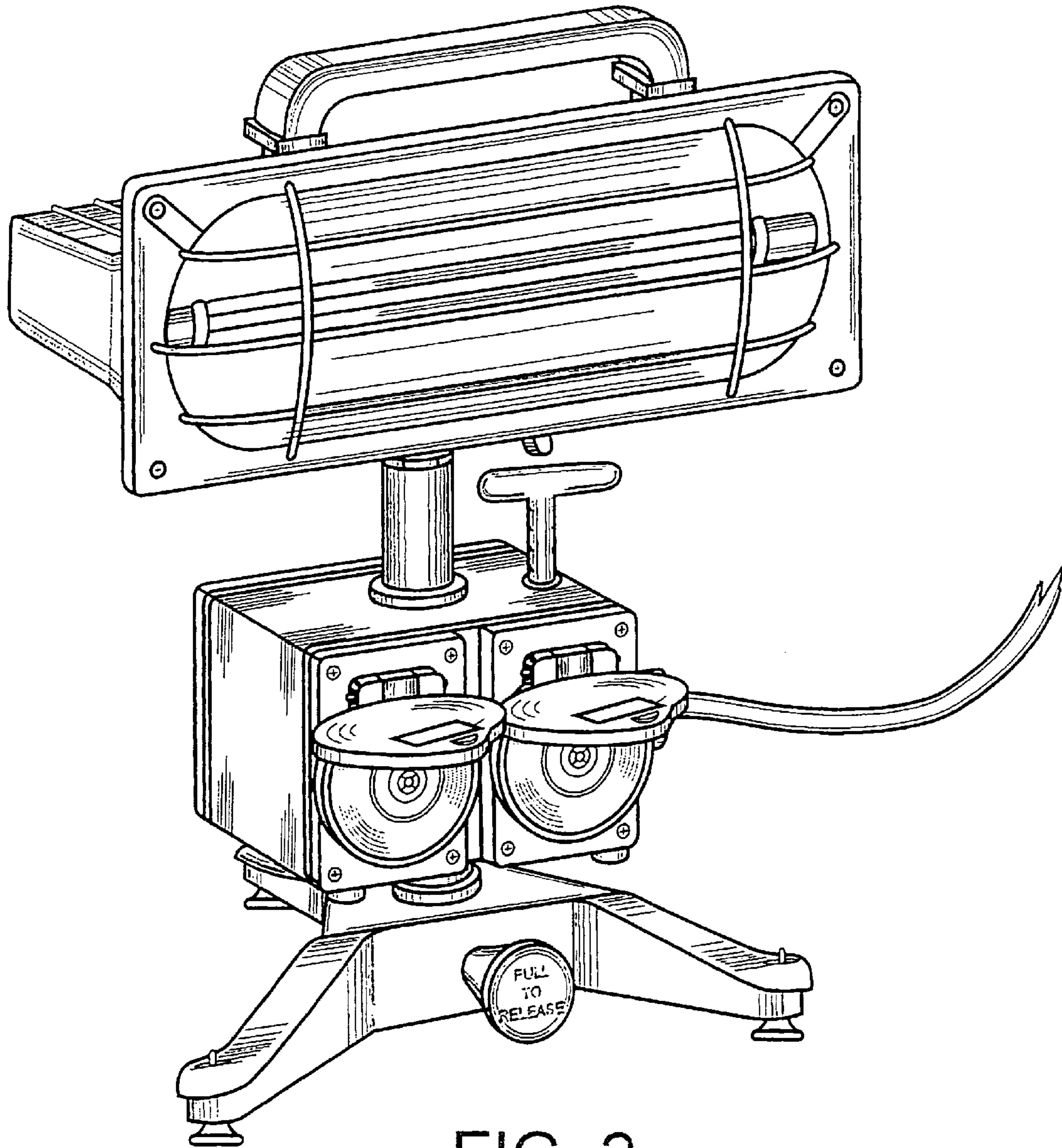


FIG. 2

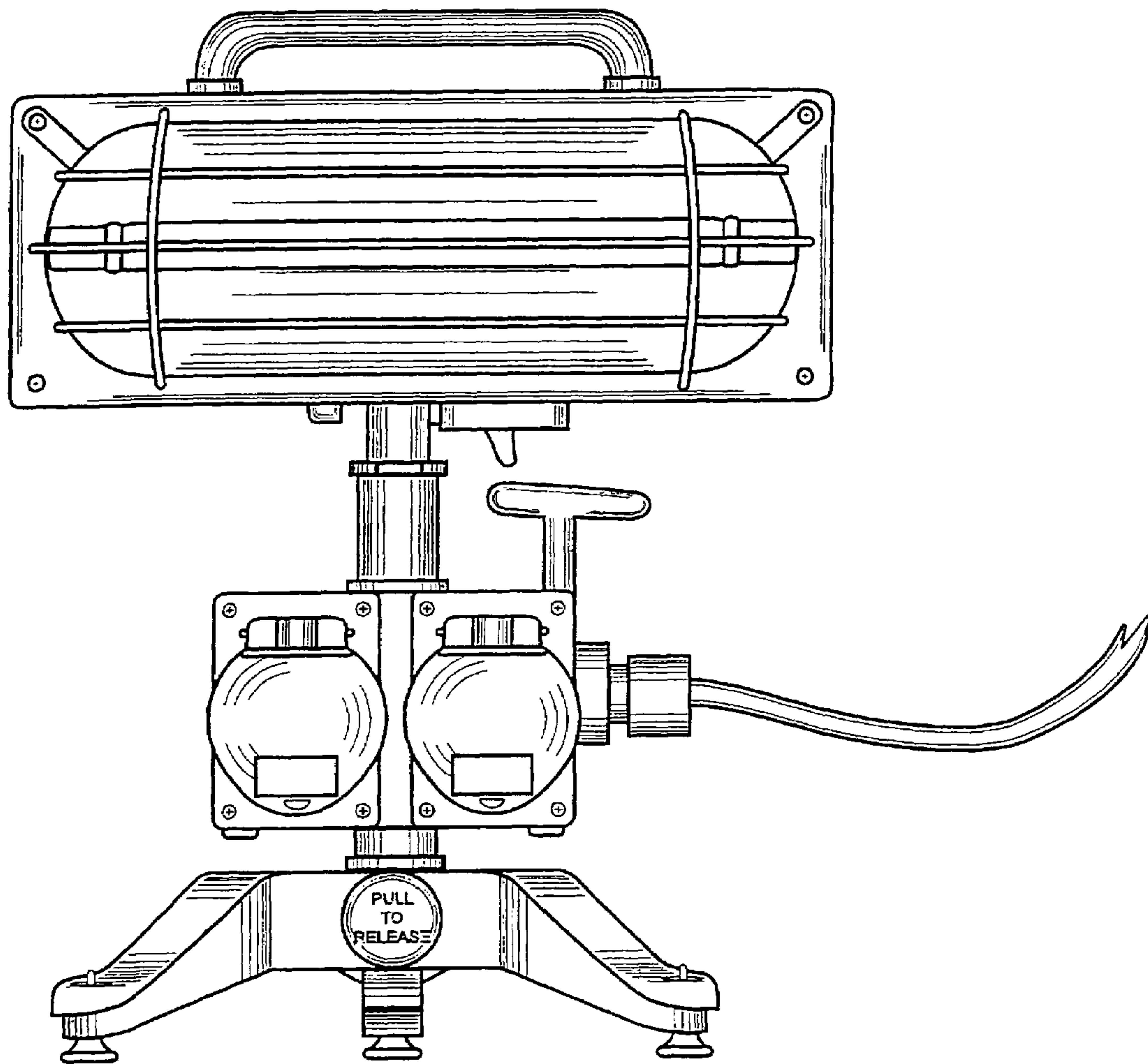


FIG. 3

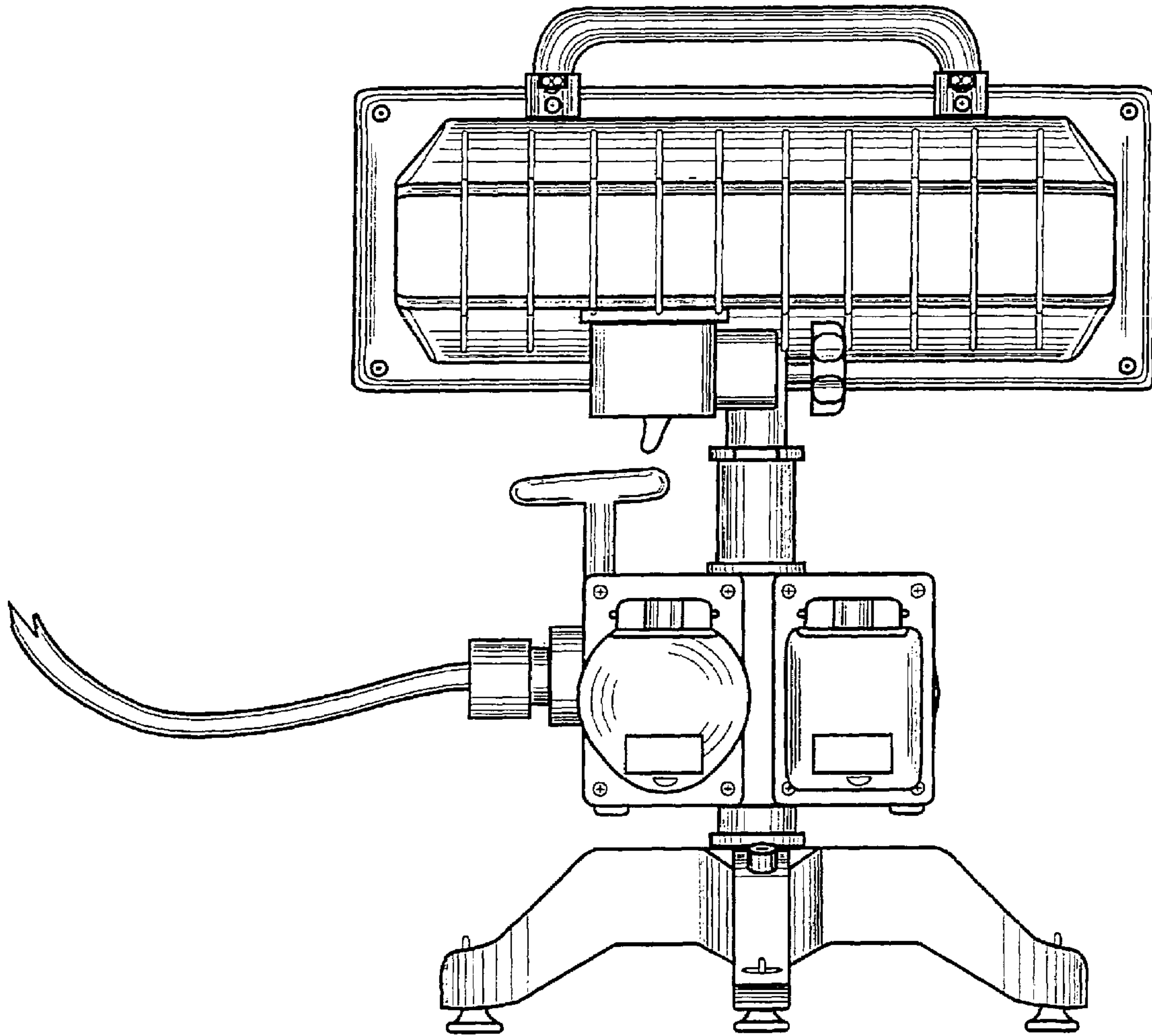


FIG. 4

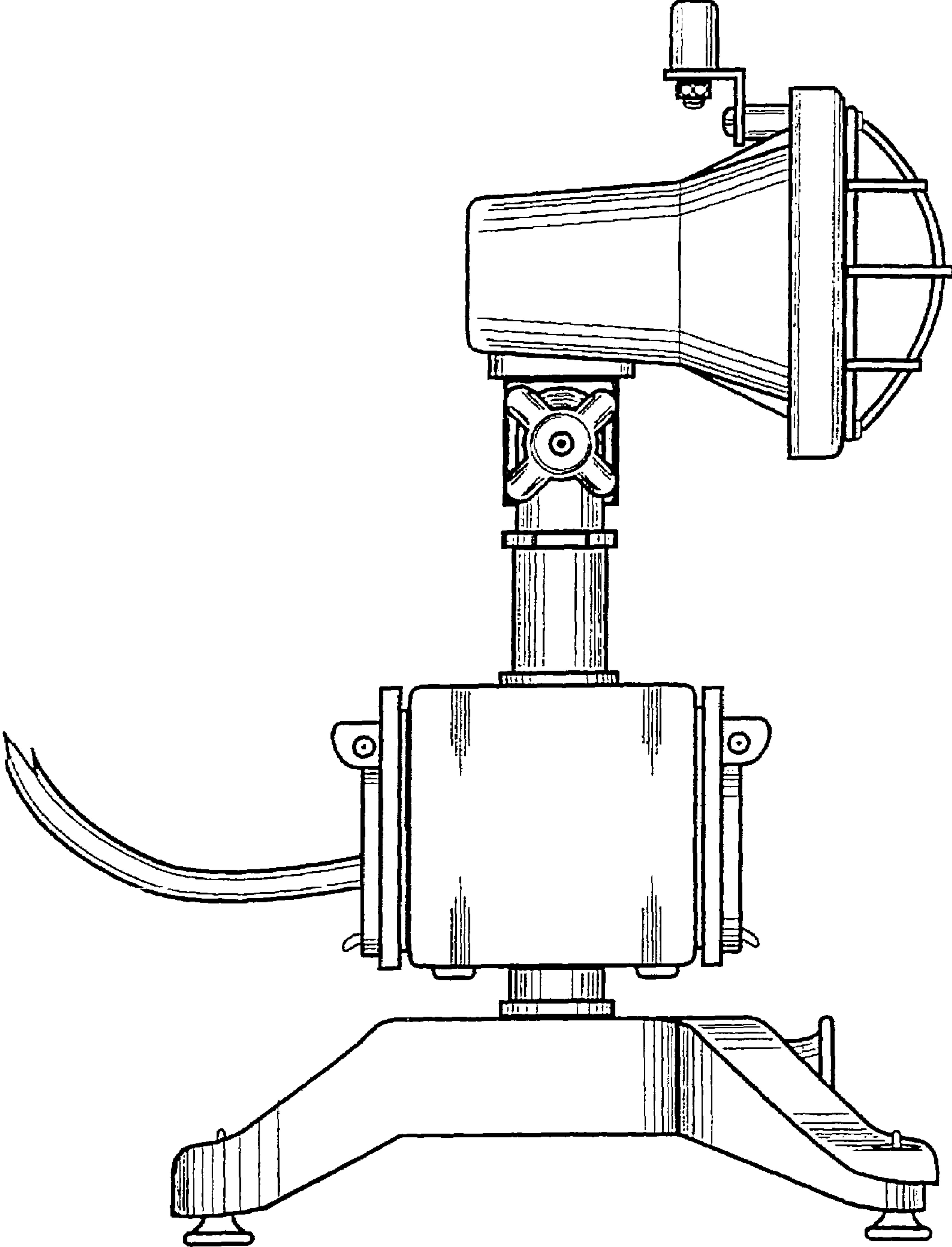


FIG. 5

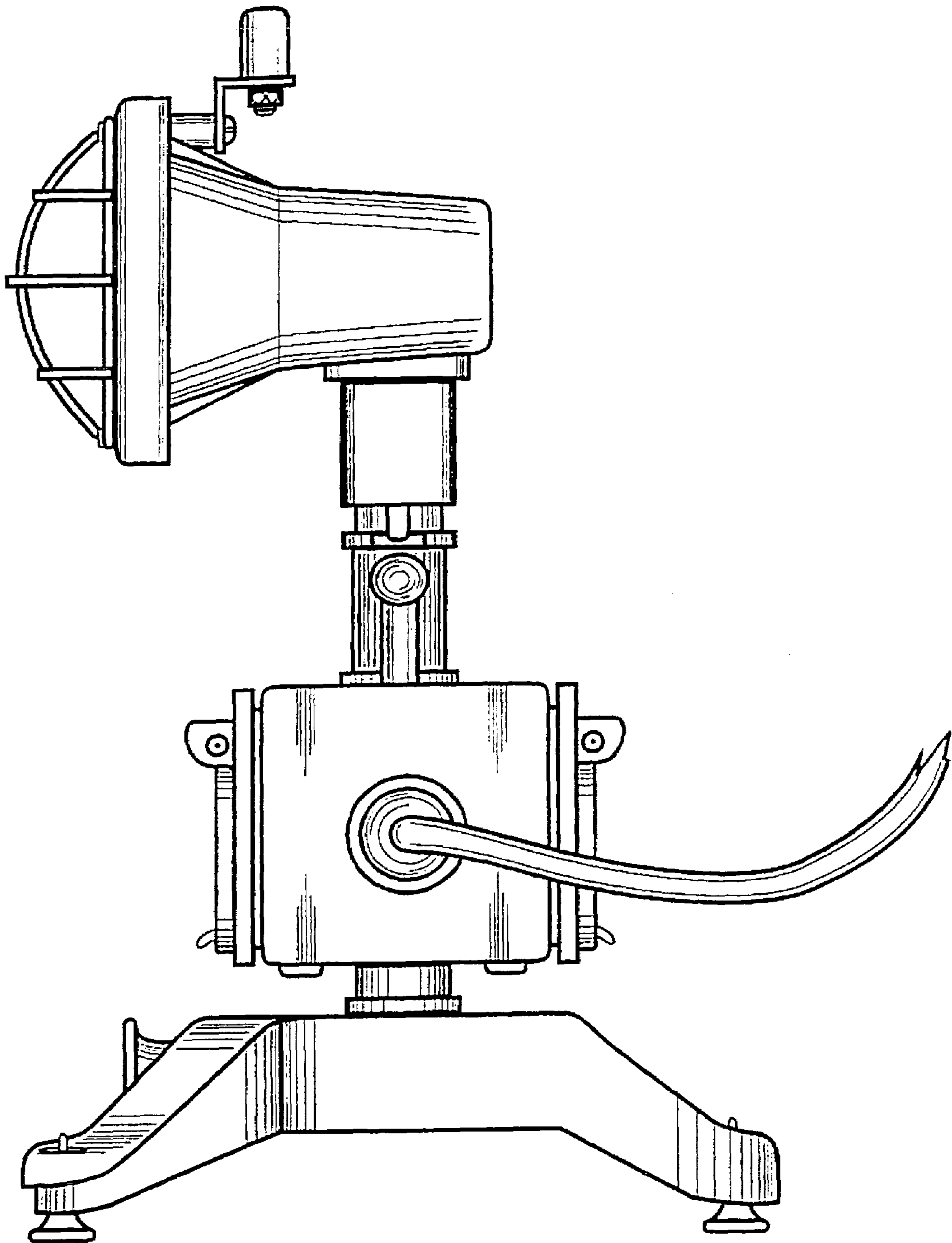


FIG. 6

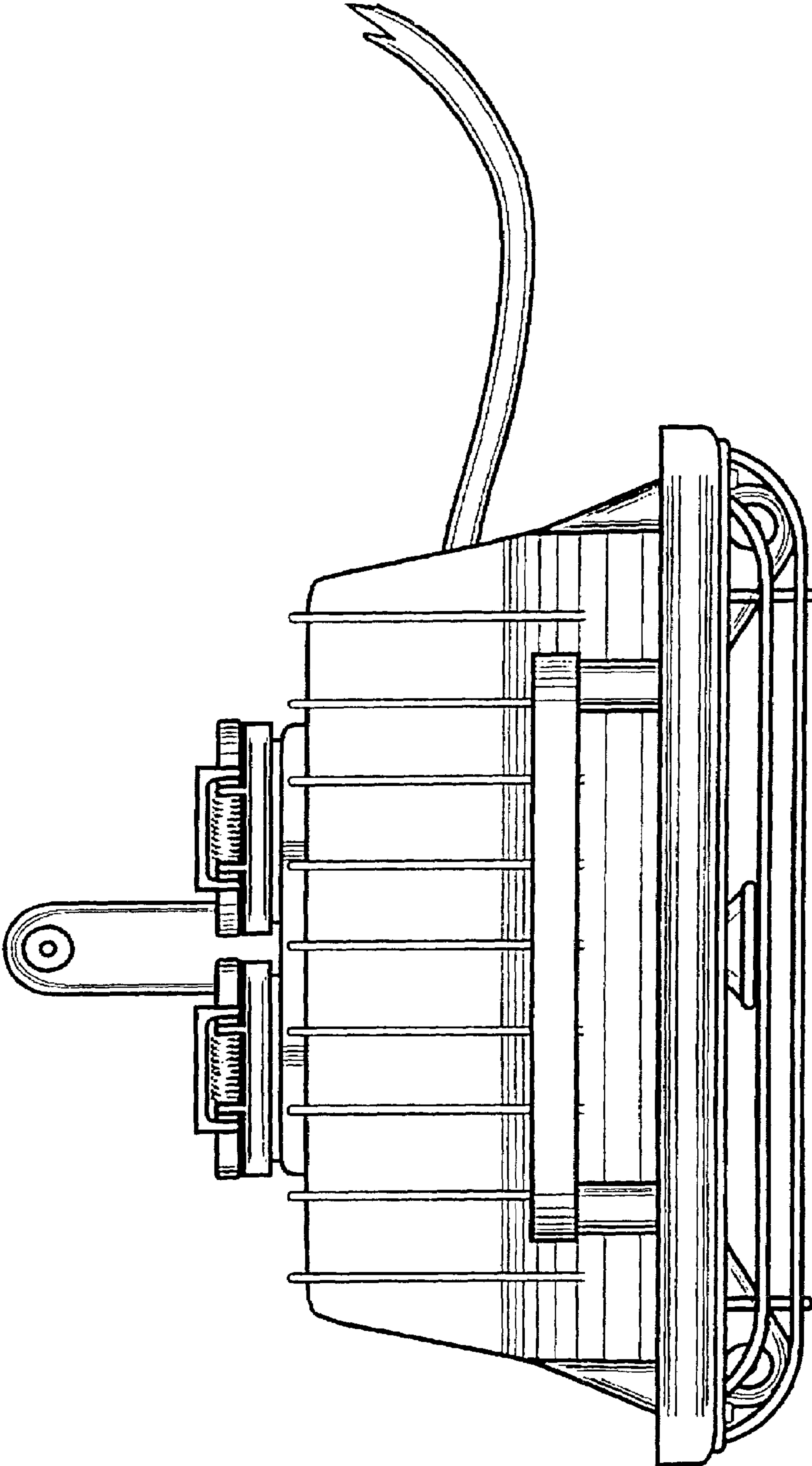


FIG. 7

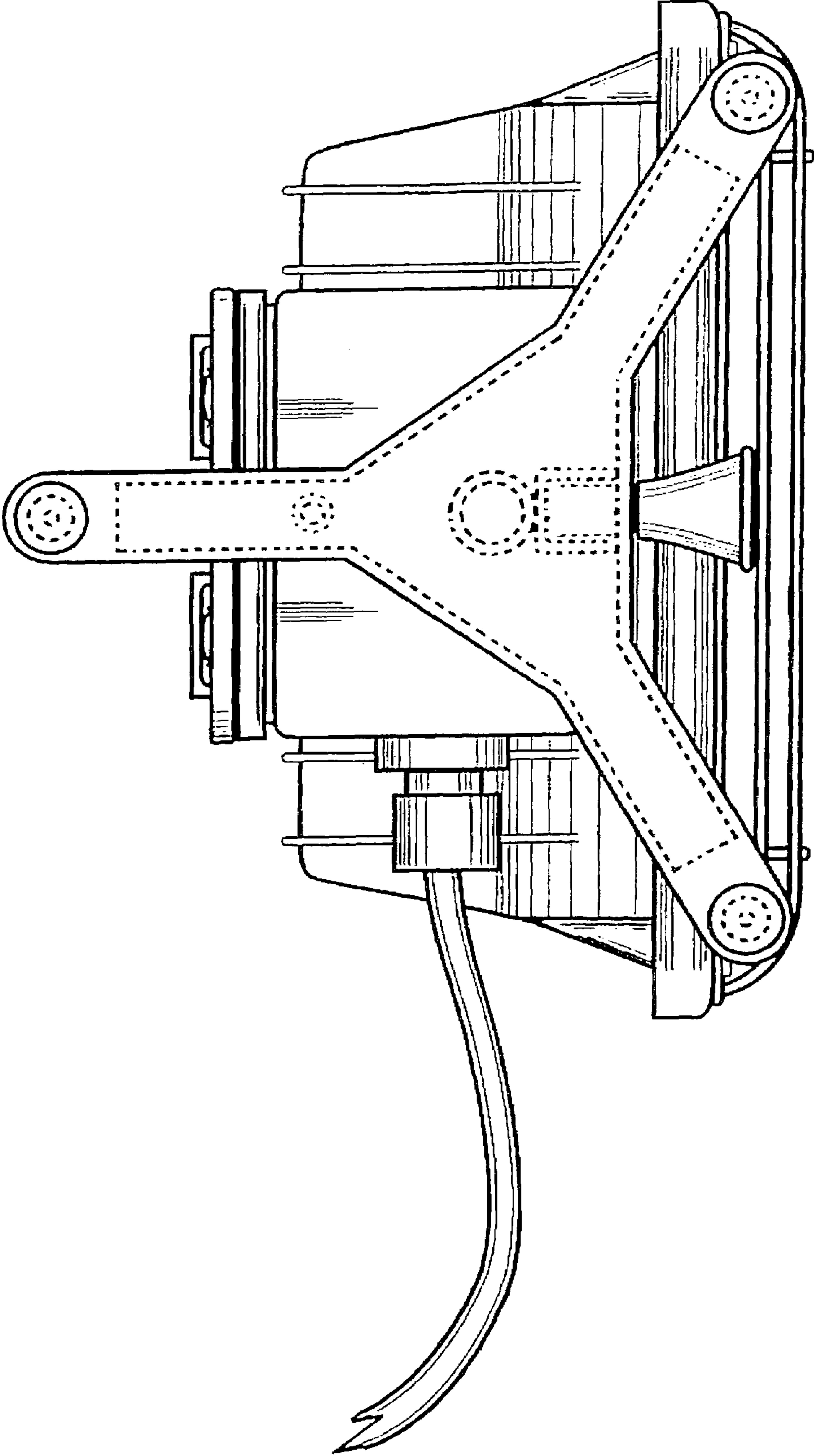


FIG. 8