



US00D596773S

(12) **United States Design Patent**
Liu

(10) **Patent No.:** **US D596,773 S**
(45) **Date of Patent:** **** Jul. 21, 2009**

(54) **FLASHLIGHT**

(76) Inventor: **Yun-Zhao Liu**, No. 3, 2nd St., Hsinfeng Rd., Huangpu Township, Zhongshan City, Guangdong Province (CN)

(**) Term: **14 Years**

(21) Appl. No.: **29/309,830**

(22) Filed: **Oct. 22, 2008**

(30) **Foreign Application Priority Data**

Aug. 7, 2008 (TW) 97304602

(51) **LOC (9) Cl.** **26-02**

(52) **U.S. Cl.** **D26/49; D26/37**

(58) **Field of Classification Search** D26/37,
D26/46, 49, 40, 41; 362/157, 158, 183, 184,
362/194-196, 200, 171-174, 201-208
See application file for complete search history.

(56) **References Cited**

U.S. PATENT DOCUMENTS

D241,971 S * 10/1976 Brindley D26/49
D300,666 S * 4/1989 Ohashi D26/49
D300,667 S * 4/1989 Ohashi D26/49
D307,057 S * 4/1990 Seok D26/49
D356,170 S * 3/1995 Ohtaka et al. D26/49
D388,202 S * 12/1997 Shiau D26/37

D558,907 S * 1/2008 Liu D26/49
D560,012 S * 1/2008 Liu D26/49
D565,770 S * 4/2008 Shiu D26/49
D568,515 S * 5/2008 Liu D26/49
D572,395 S * 7/2008 Guelzow et al. D26/49
D577,451 S * 9/2008 Shiu D26/49

* cited by examiner

Primary Examiner—Ian Simmons

Assistant Examiner—Carissa C Fitts

(74) *Attorney, Agent, or Firm*—Rosenberg, Klein & Lee

(57) **CLAIM**

The ornamental design for a flashlight, as shown and described.

DESCRIPTION

FIG. 1 is a perspective view of a flashlight showing my new design;

FIG. 2 is a front elevational view thereof;

FIG. 3 is a rear elevational view thereof;

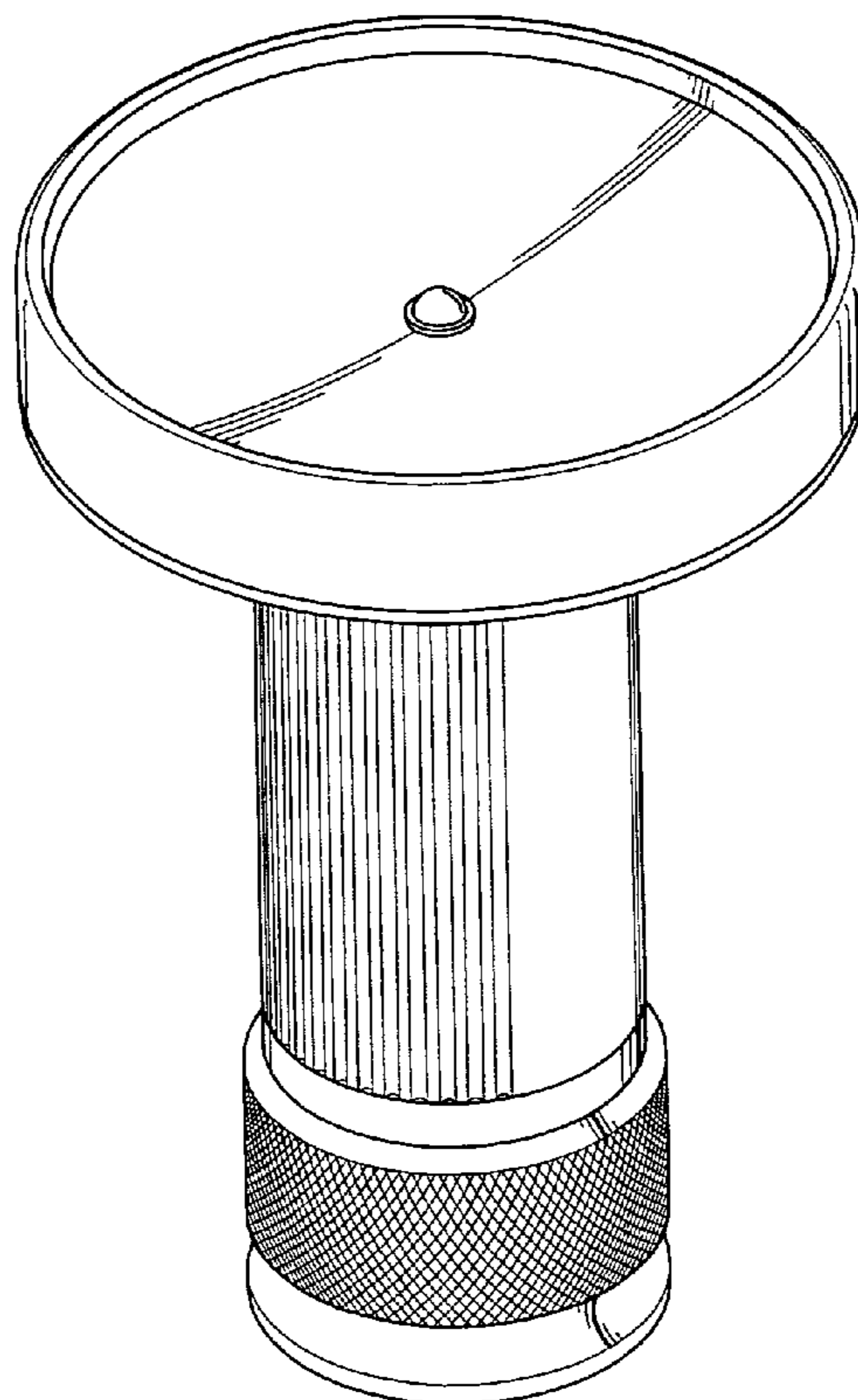
FIG. 4 is a left side elevational view thereof;

FIG. 5 is a right side elevational view thereof;

FIG. 6 is a top plan view thereof; and,

FIG. 7 is a bottom plan view thereof.

1 Claim, 4 Drawing Sheets



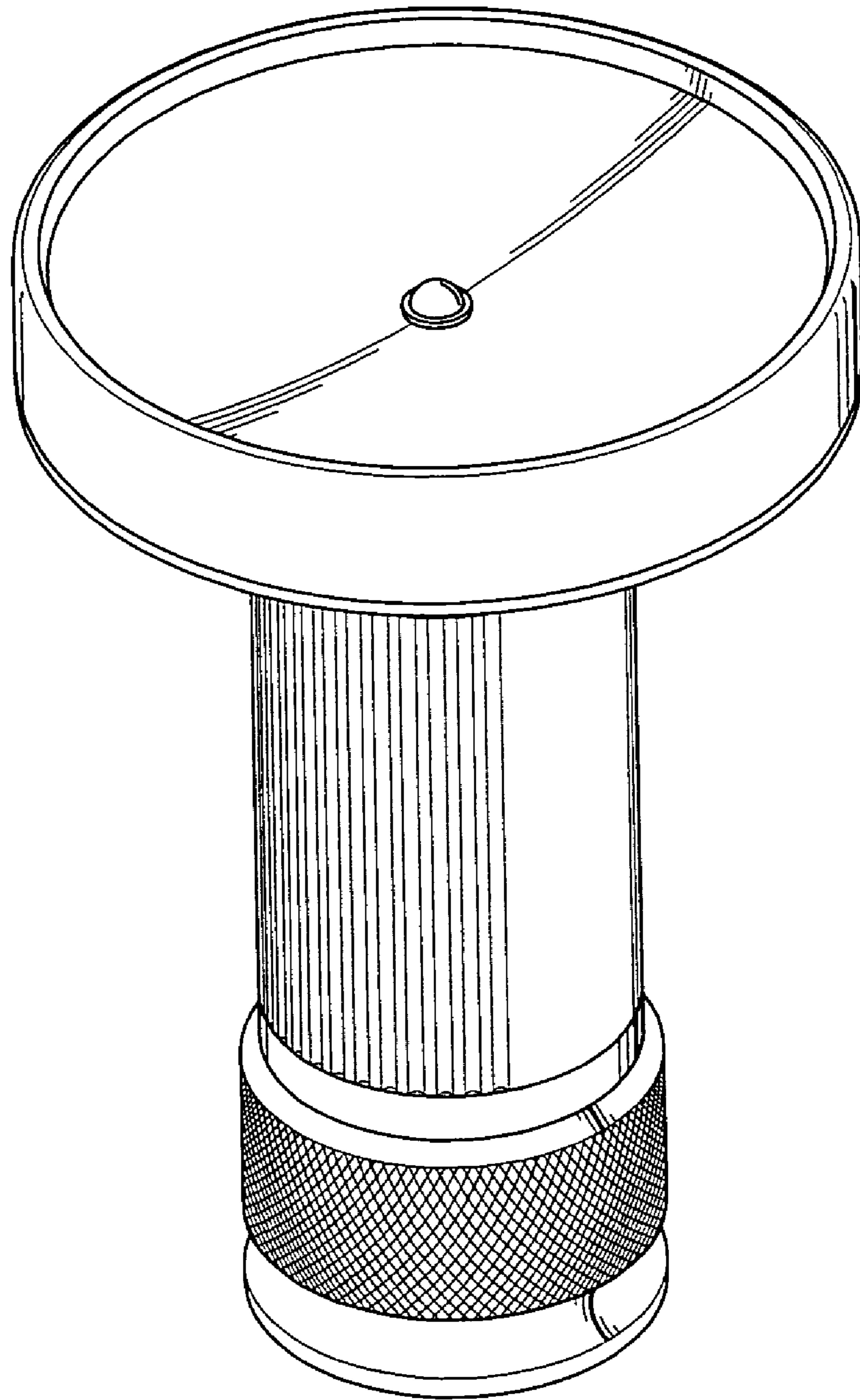


FIG . 1

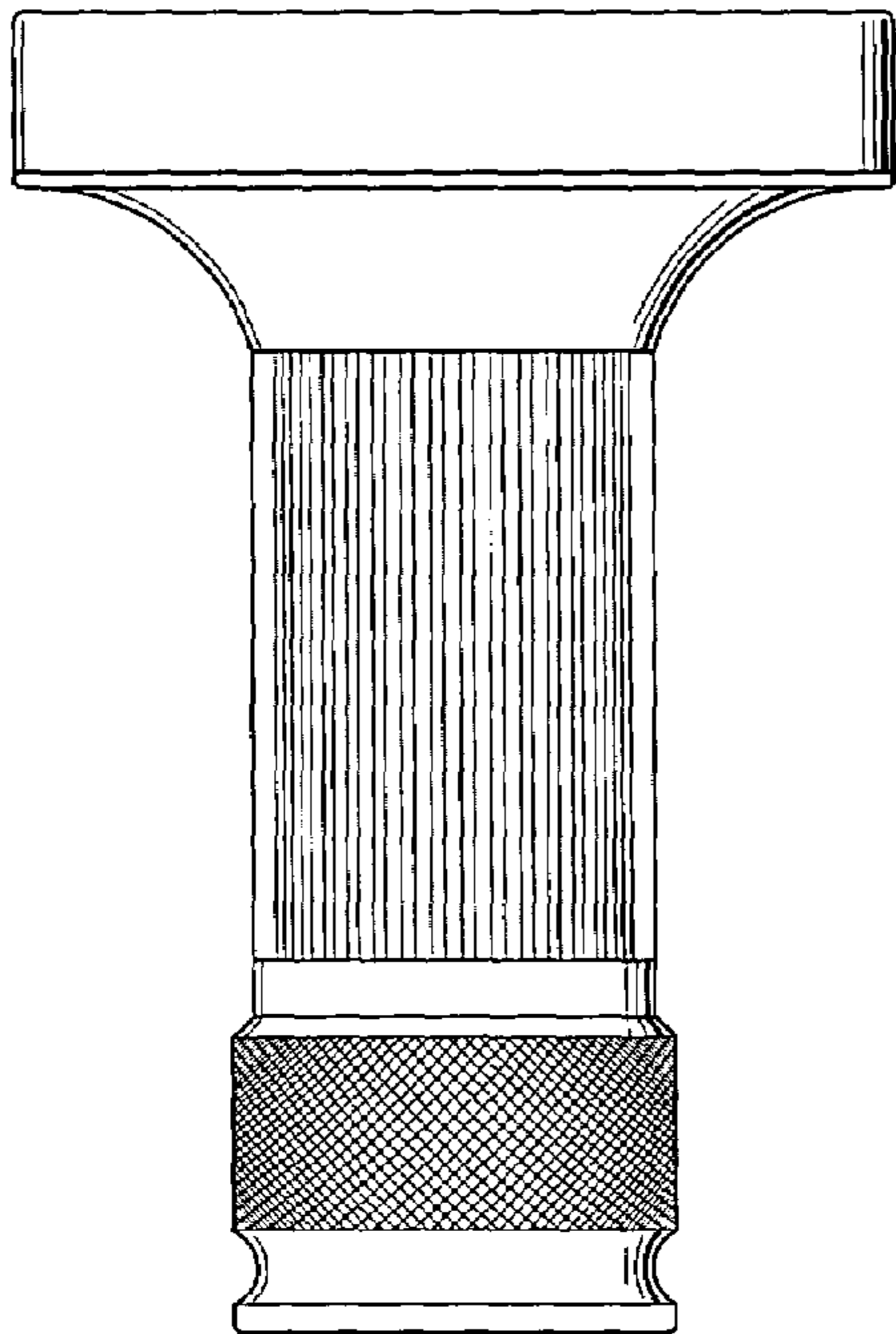


FIG . 2

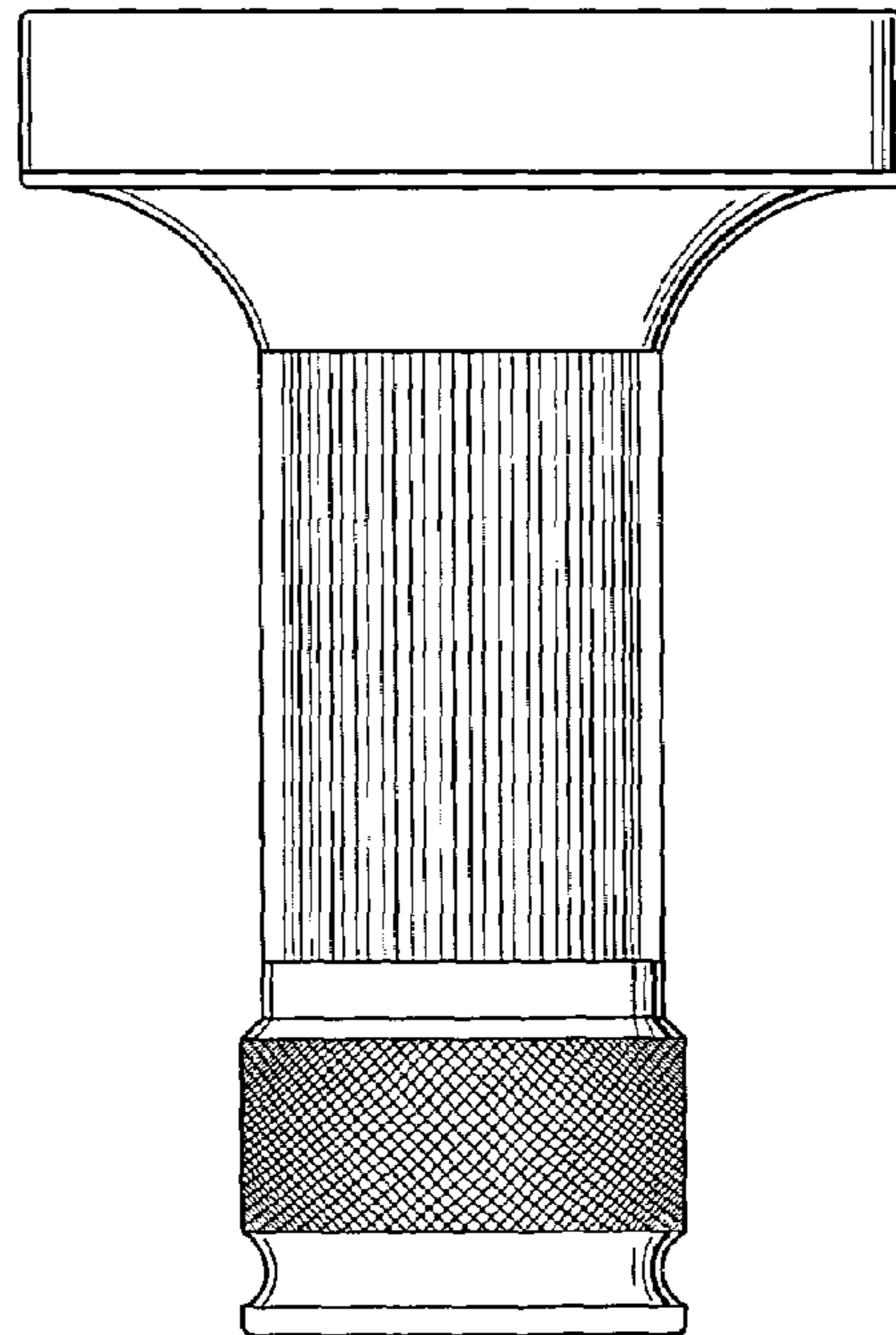


FIG . 3

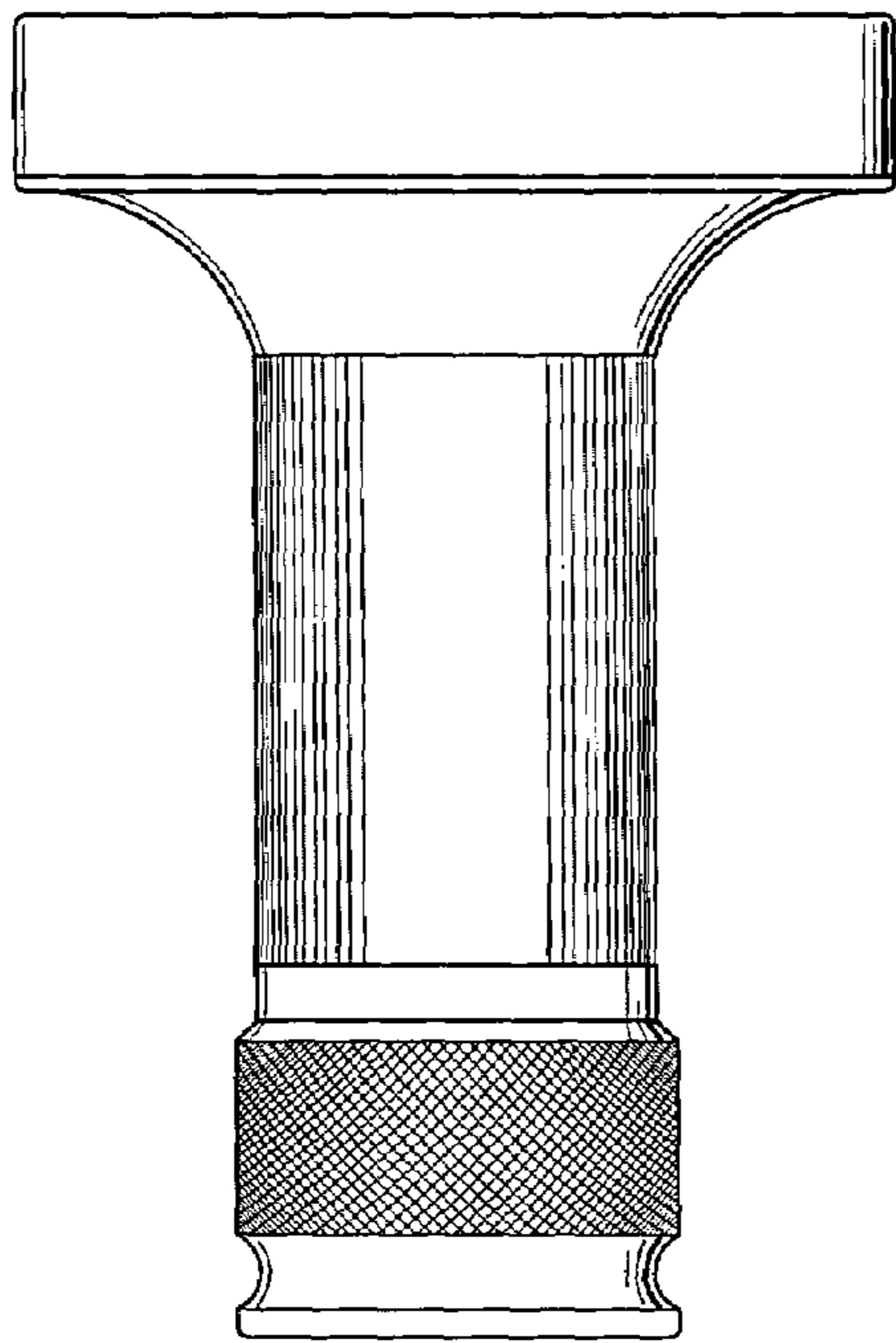


FIG . 4

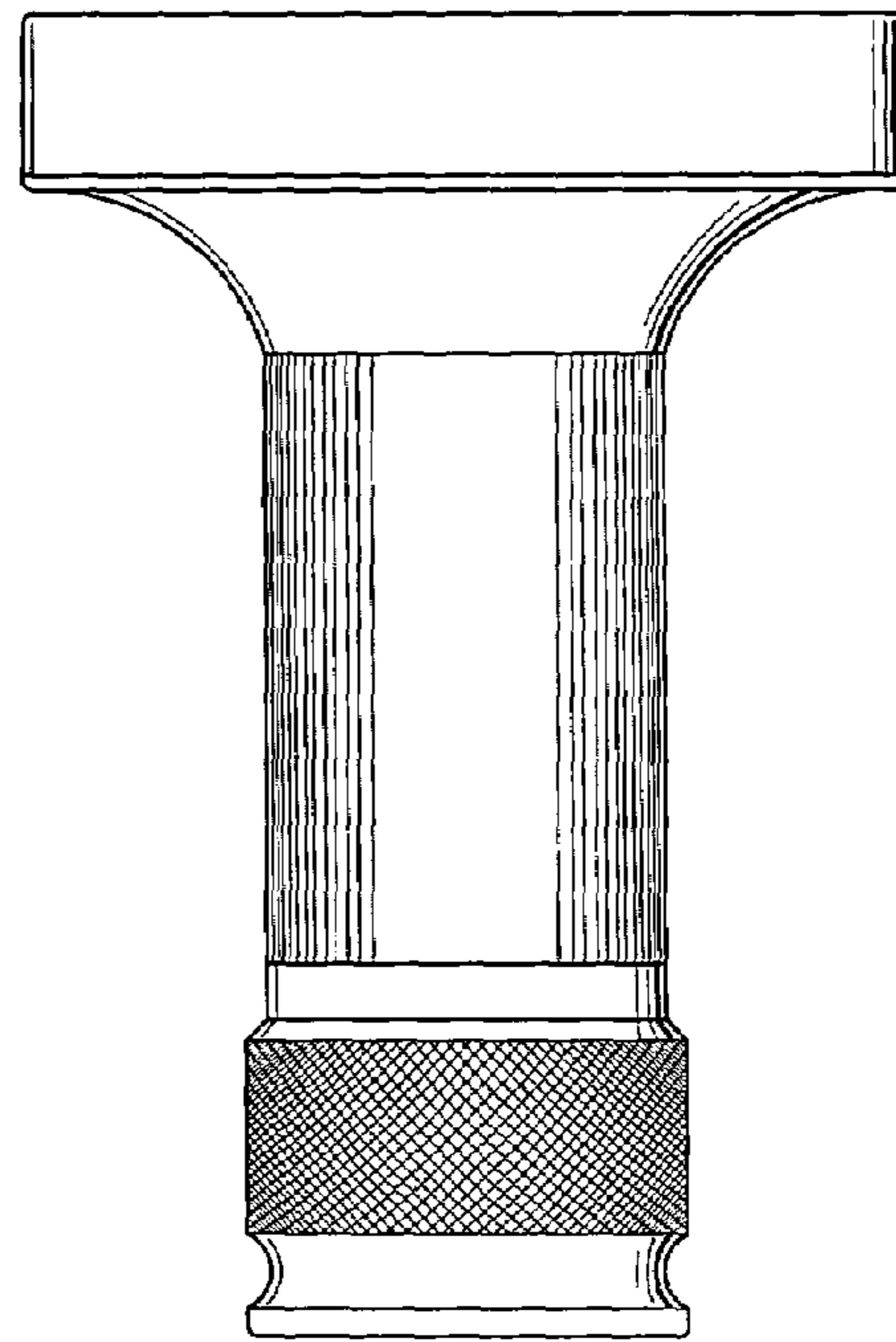


FIG . 5

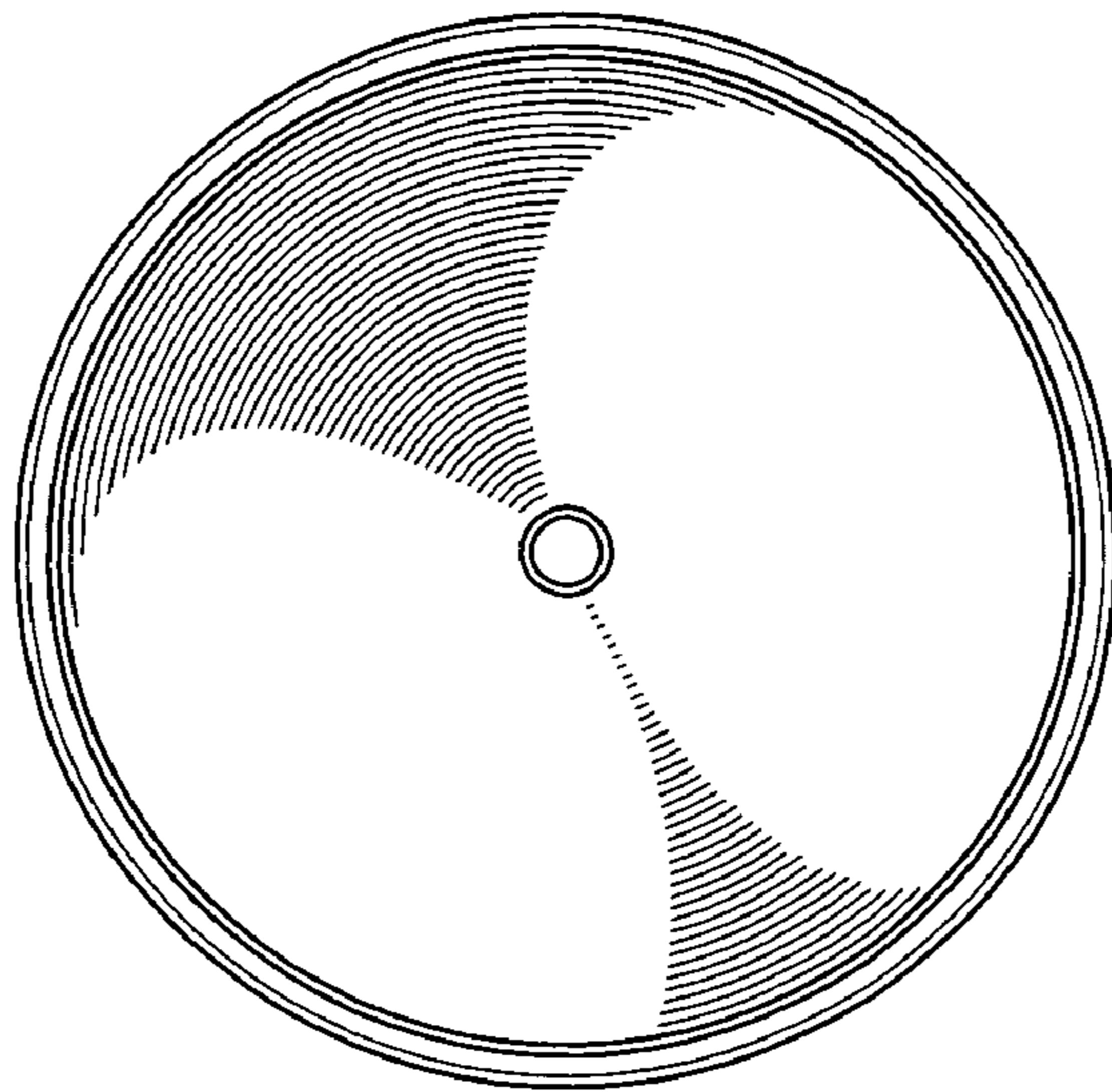


FIG . 6

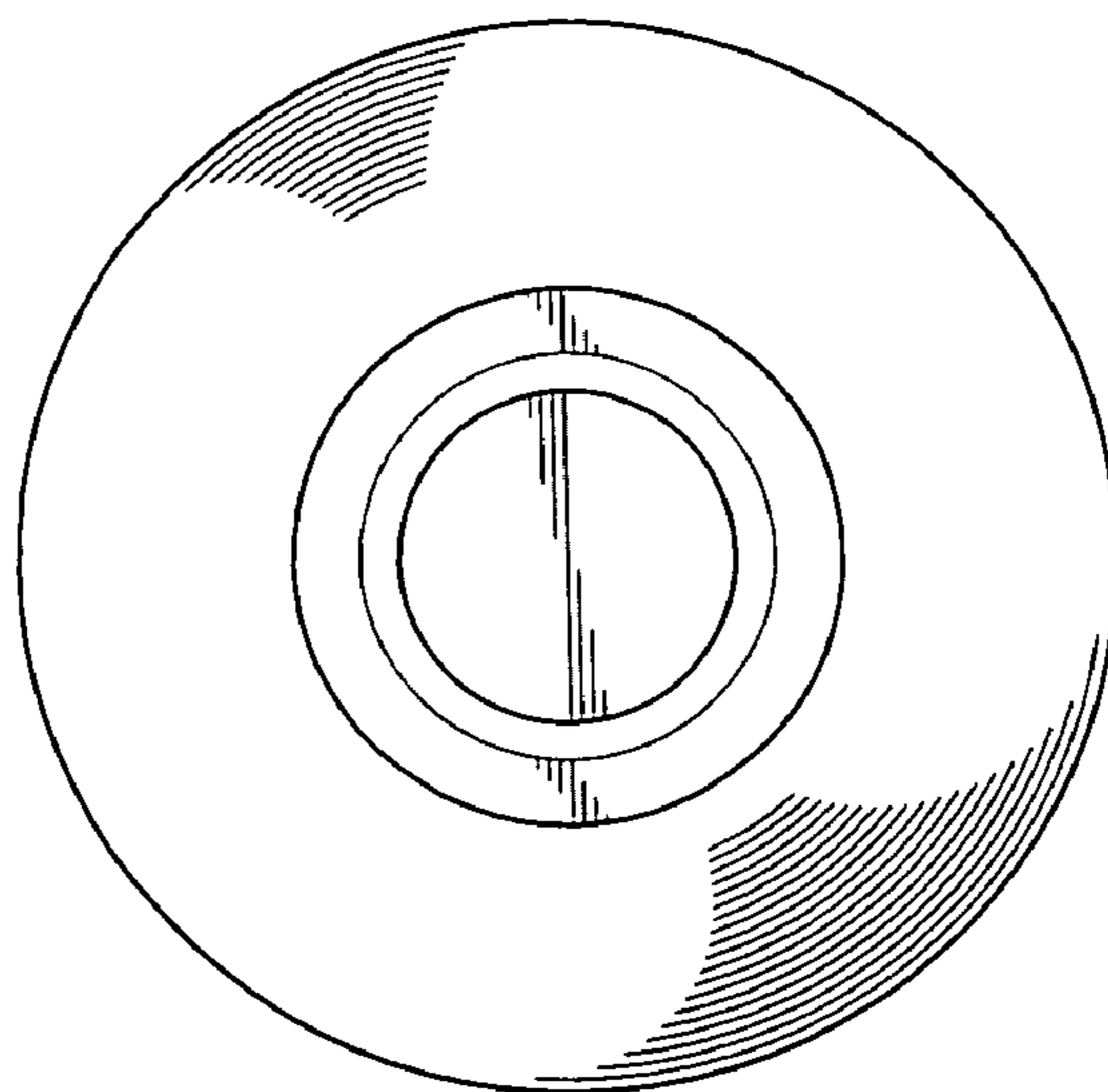


FIG . 7