



US00D596772S

(12) **United States Design Patent**  
**Chang**

(10) **Patent No.:** **US D596,772 S**  
(45) **Date of Patent:** **\*\* Jul. 21, 2009**

(54) **FLASHLIGHT**

(76) Inventor: **Chih-Hung Chang**, P.O. Box 215,  
Taichung (TW) 40099

(\*\*) Term: **14 Years**

(21) Appl. No.: **29/309,811**

(22) Filed: **Oct. 17, 2008**

(30) **Foreign Application Priority Data**

Sep. 19, 2008 (TW) ..... 97305380

(51) **LOC (9) Cl.** ..... **26-02**

(52) **U.S. Cl.** ..... **D26/49**

(58) **Field of Classification Search** ..... D26/37,  
D26/46, 48, 49, 50; 362/157, 158, 183, 184,  
362/194, 195, 196, 202-208

See application file for complete search history.

(56) **References Cited**

**U.S. PATENT DOCUMENTS**

D486,937 S \* 2/2004 Shiu ..... D26/49  
D497,020 S \* 10/2004 Lee ..... D26/49  
D514,725 S \* 2/2006 Shiu ..... D26/49  
D518,583 S \* 4/2006 Vickers et al. .... D26/37

D529,643 S \* 10/2006 Kung ..... D26/37  
D576,757 S \* 9/2008 Hesse et al. .... D26/49  
D577,845 S \* 9/2008 Shiu ..... D26/49

\* cited by examiner

*Primary Examiner*—Ian Simmons  
*Assistant Examiner*—Carissa C Fitts

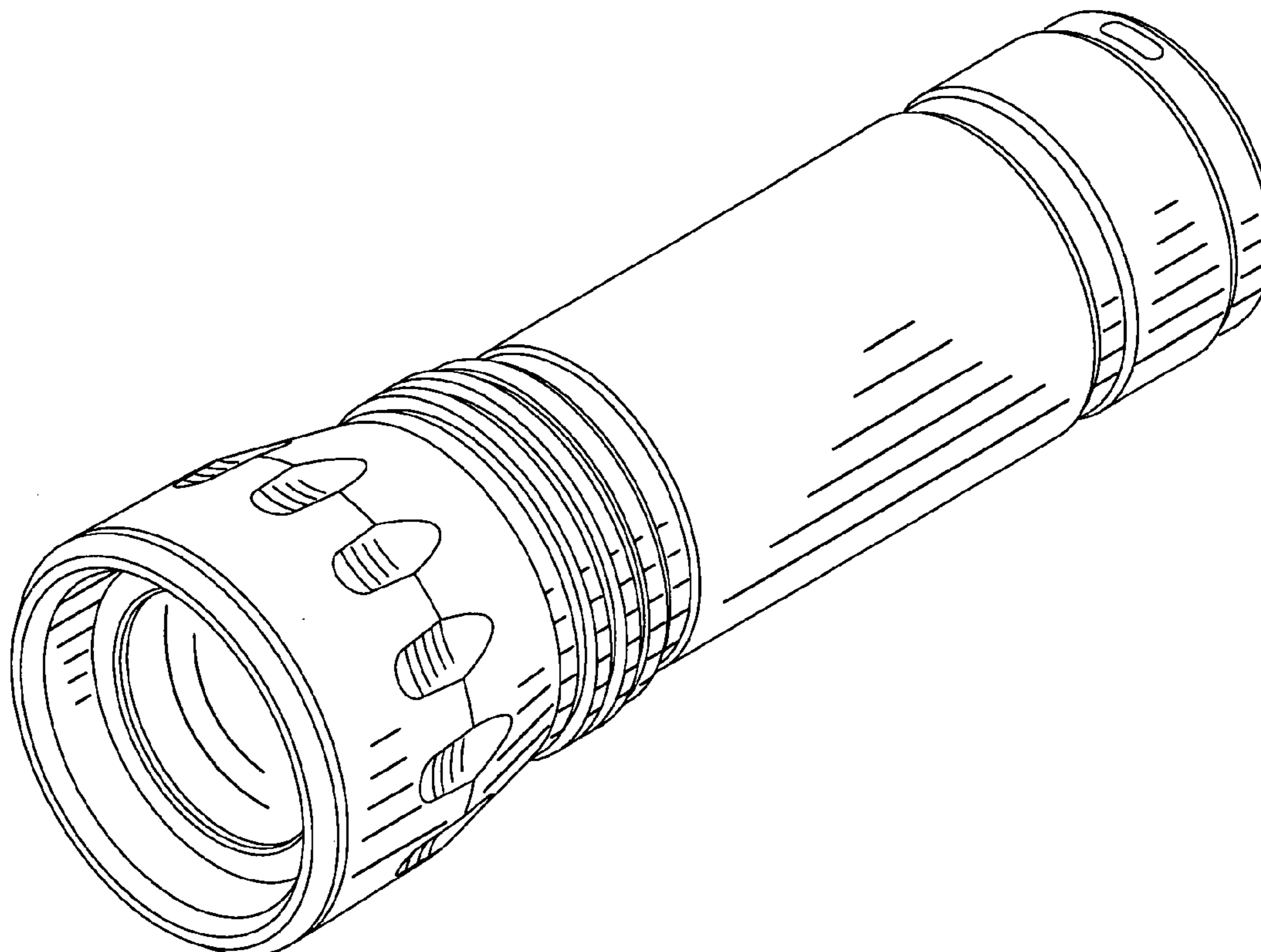
(57) **CLAIM**

The ornamental design for a flashlight, as shown and described.

**DESCRIPTION**

FIG. 1 is a perspective view of a flashlight of the invention.  
FIG. 2 is a front elevational view of a flashlight of the invention.  
FIG. 3 is a rear elevational view of a flashlight of the invention.  
FIG. 4 is a left side elevational view of a flashlight of the invention.  
FIG. 5 is a top plan view of a flashlight of the invention; and,  
FIG. 6 is the perspective view from another angle of a flashlight of the invention.

**1 Claim, 5 Drawing Sheets**



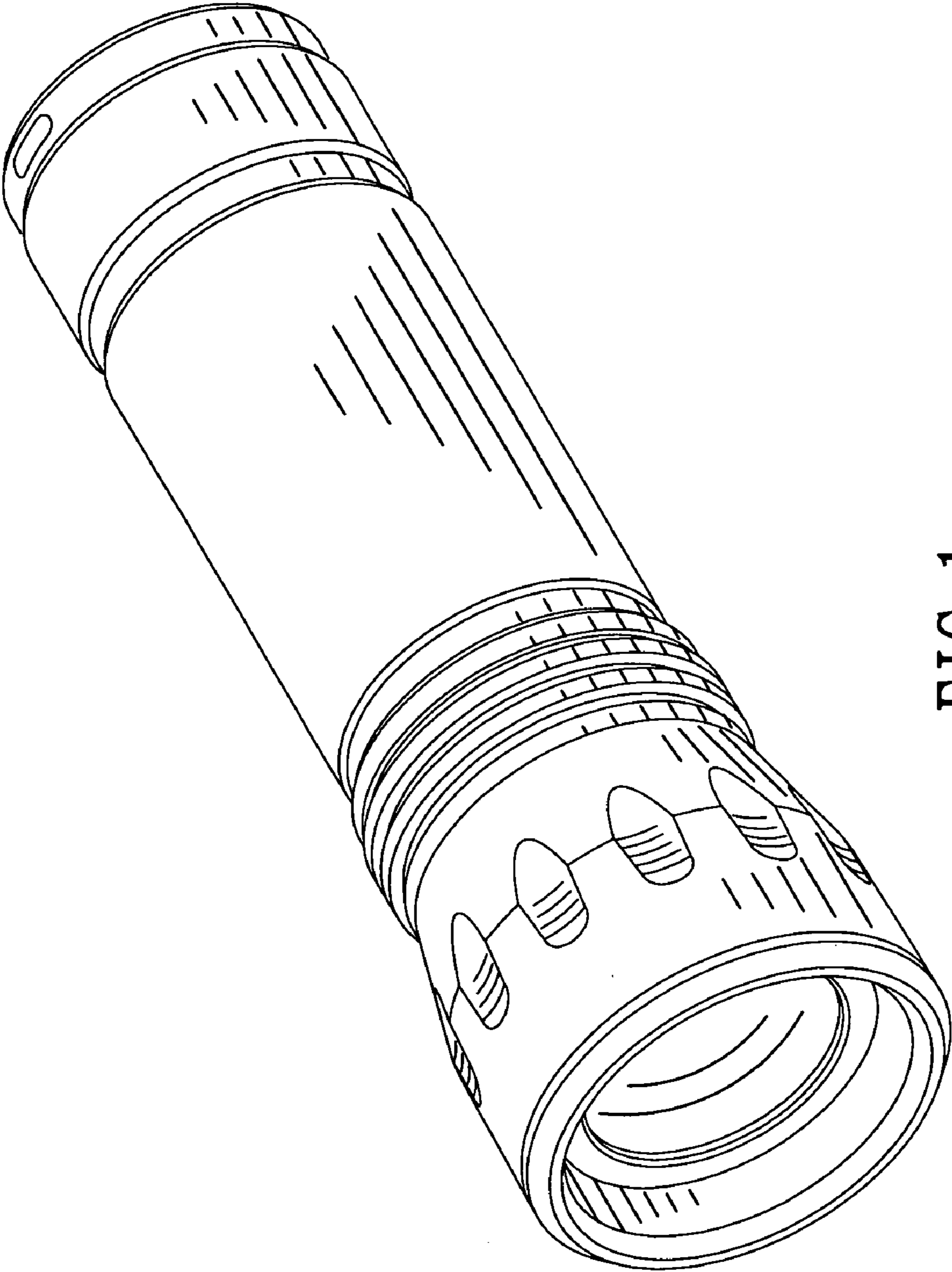


FIG 1

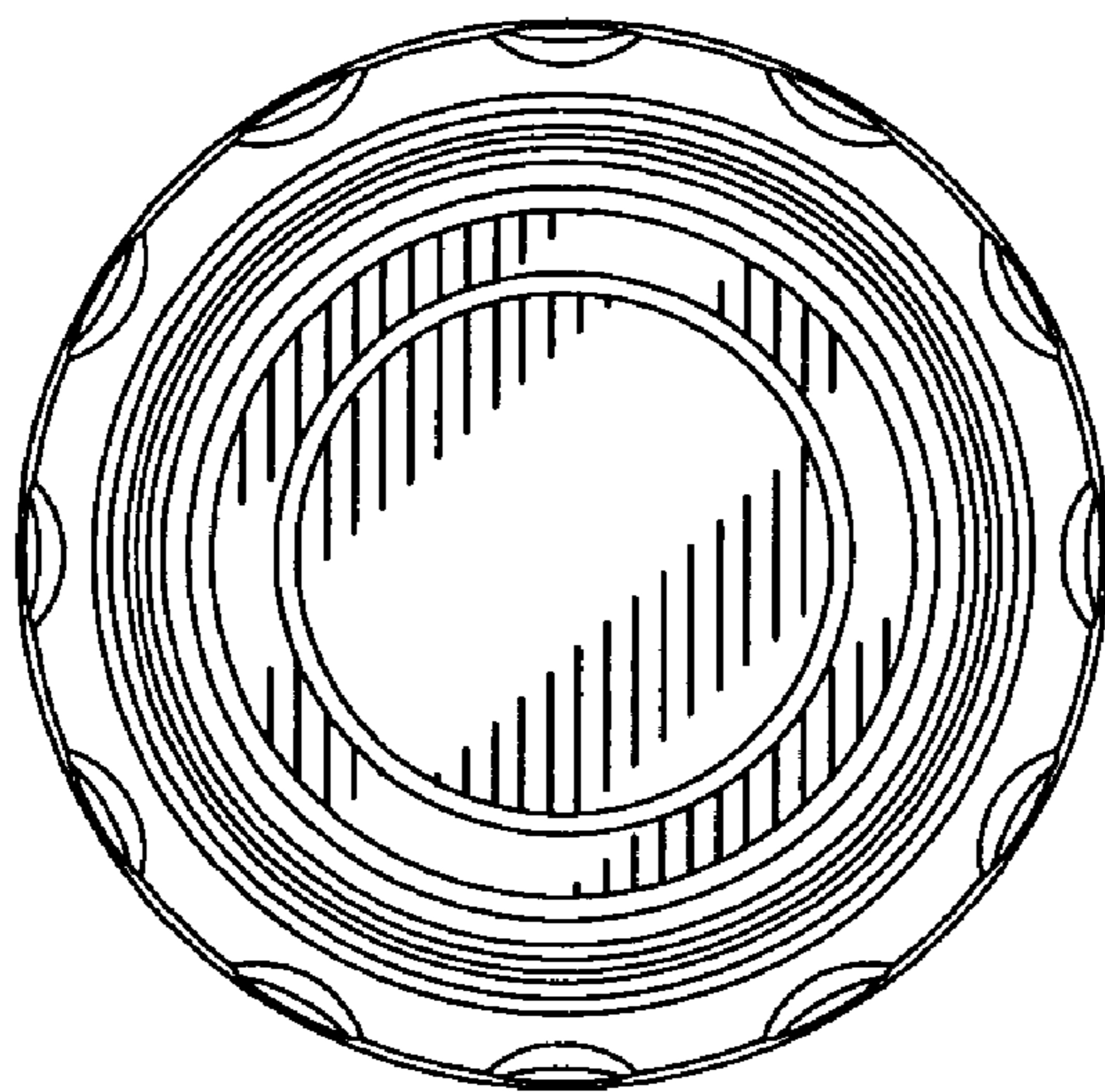


FIG 3

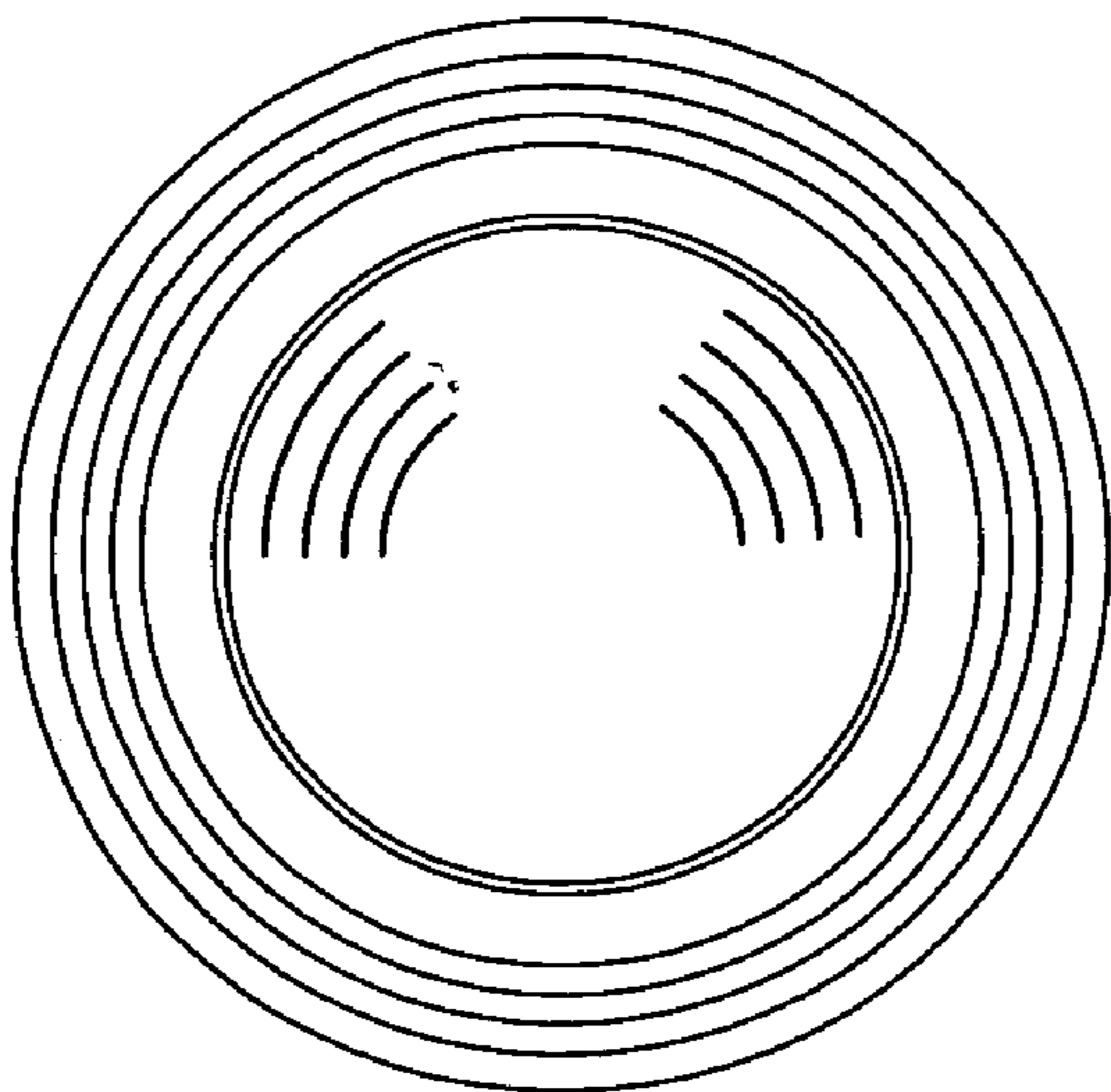


FIG 2

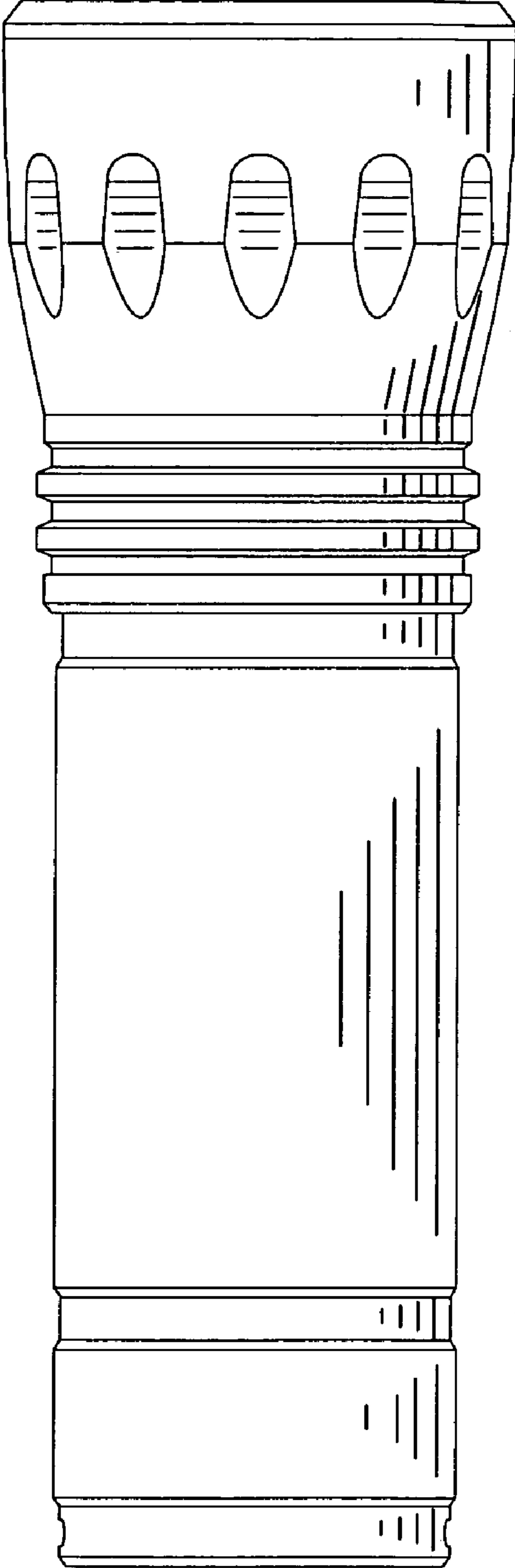


FIG 4

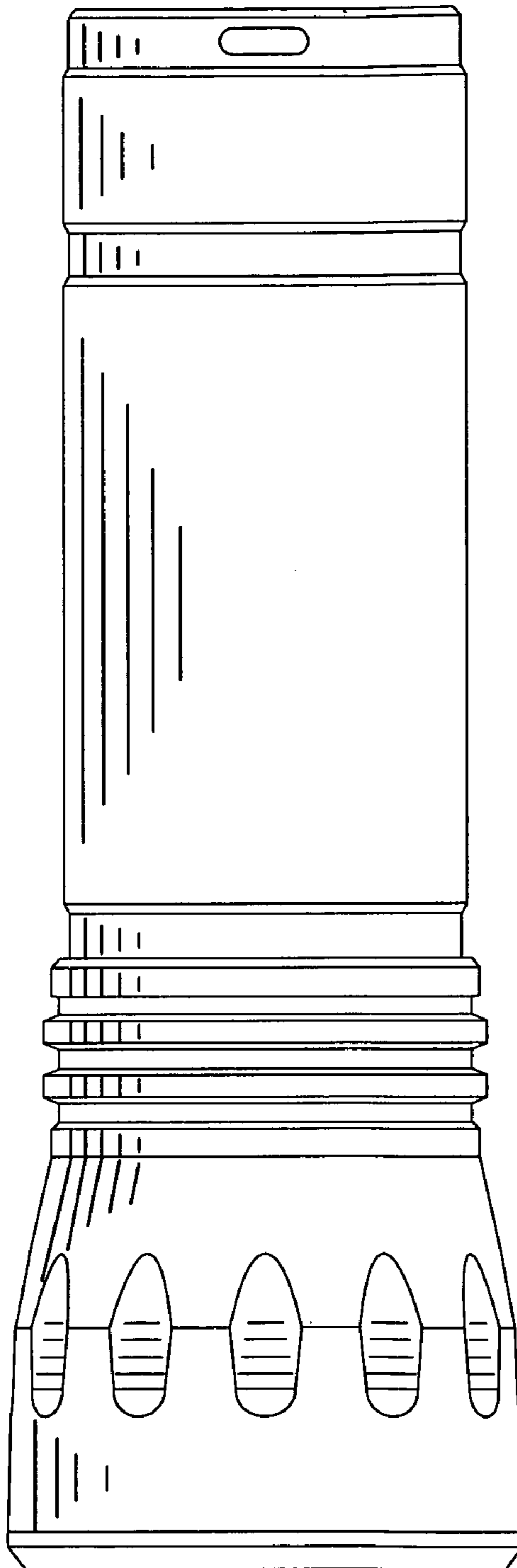


FIG 5

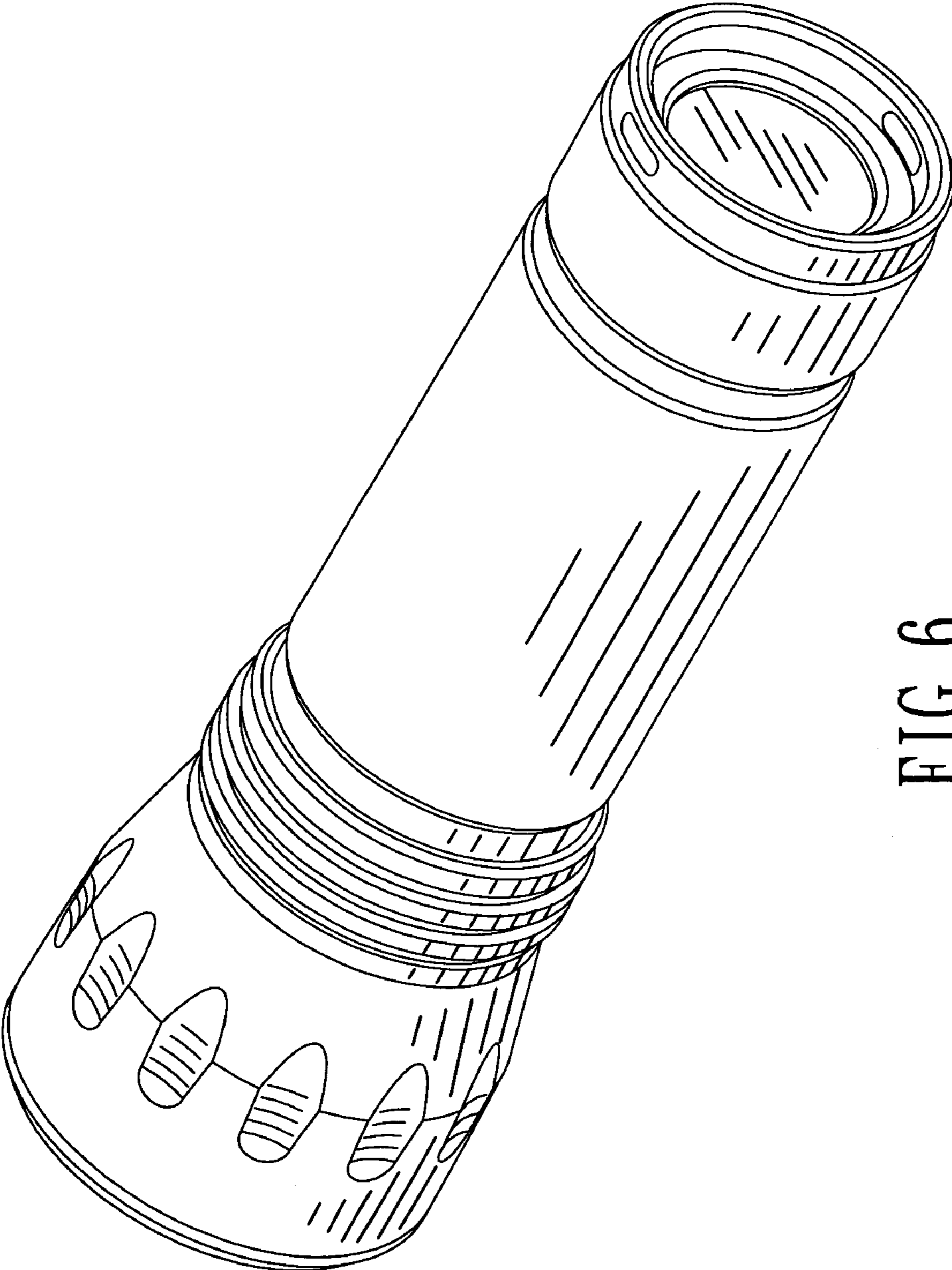


FIG 6