



US00D596771S

(12) **United States Design Patent**
Lee

(10) **Patent No.:** **US D596,771 S**
(45) **Date of Patent:** **** Jul. 21, 2009**

(54) **FLASHLIGHT**

D526,730 S * 8/2006 Galli D26/37
D551,368 S * 9/2007 Shiu D26/37
D568,514 S * 5/2008 Shiu D26/49

(76) Inventor: **Wen-Sung Lee**, No. 72, Chaoguei Rd.,
Situn District, Taichung City 407 (TW)

* cited by examiner

(**) Term: **14 Years**

Primary Examiner—Ian Simmons
Assistant Examiner—Carissa C Fitts
(74) *Attorney, Agent, or Firm*—Banger Shia

(21) Appl. No.: **29/324,141**

(22) Filed: **Sep. 7, 2008**

(57) **CLAIM**

(51) **LOC (9) Cl.** **26-02**

I claim the ornamental design for a flashlight, as shown and described.

(52) **U.S. Cl.** **D26/46**

(58) **Field of Classification Search** D26/46,
D26/37, 49; 362/157, 158, 194, 196, 201,
362/202–208

DESCRIPTION

See application file for complete search history.

FIG. 1 is a perspective view of a flashlight, showing my new design;

(56) **References Cited**

U.S. PATENT DOCUMENTS

D251,149 S * 2/1979 Zelina D26/42
D251,268 S * 3/1979 Zelina D26/42
D308,255 S * 5/1990 Emmerling D26/46
D357,759 S * 4/1995 Geissler D26/42
D371,214 S * 6/1996 Terry, Sr. D26/49
D372,996 S * 8/1996 Geissler D26/42
D455,510 S * 4/2002 Galli D26/37
D491,305 S * 6/2004 Copeland D26/49

FIG. 2 is a front elevational view thereof;

FIG. 3 is a rear elevational view thereof;

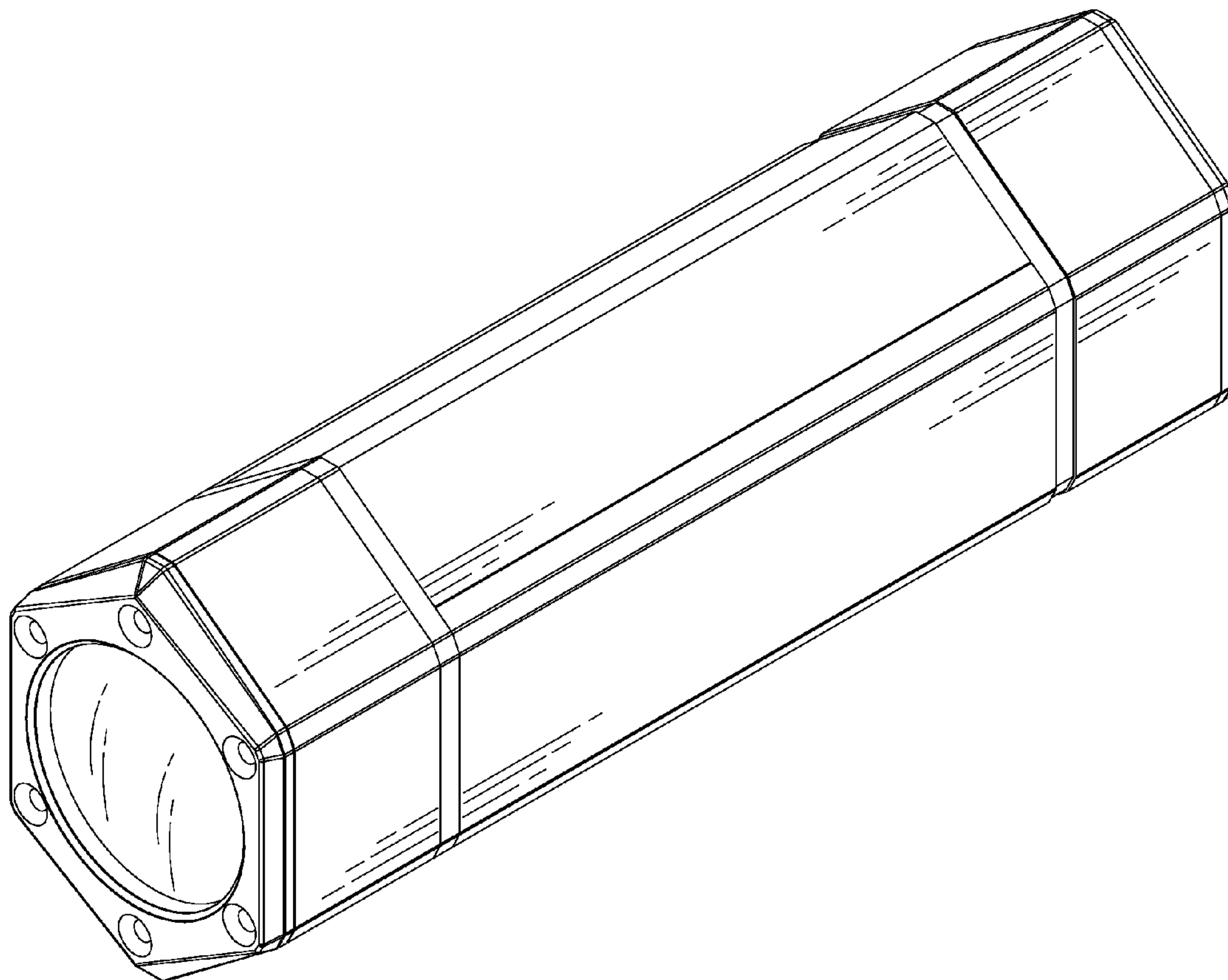
FIG. 4 is a left side elevational view thereof;

FIG. 5 is a right side elevational view thereof;

FIG. 6 is a top plan view thereof; and,

FIG. 7 is a bottom plan view thereof.

1 Claim, 7 Drawing Sheets



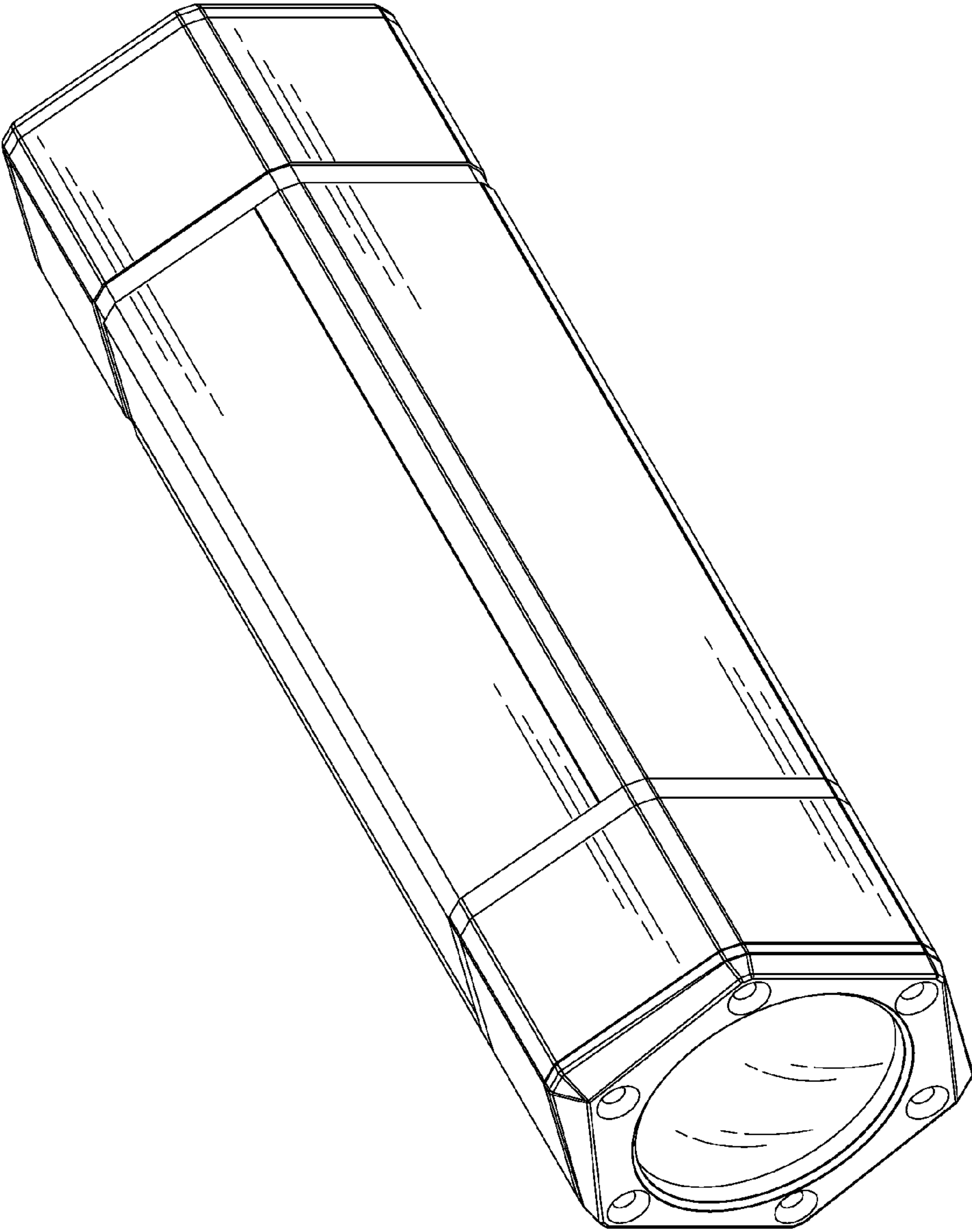


FIG. 1

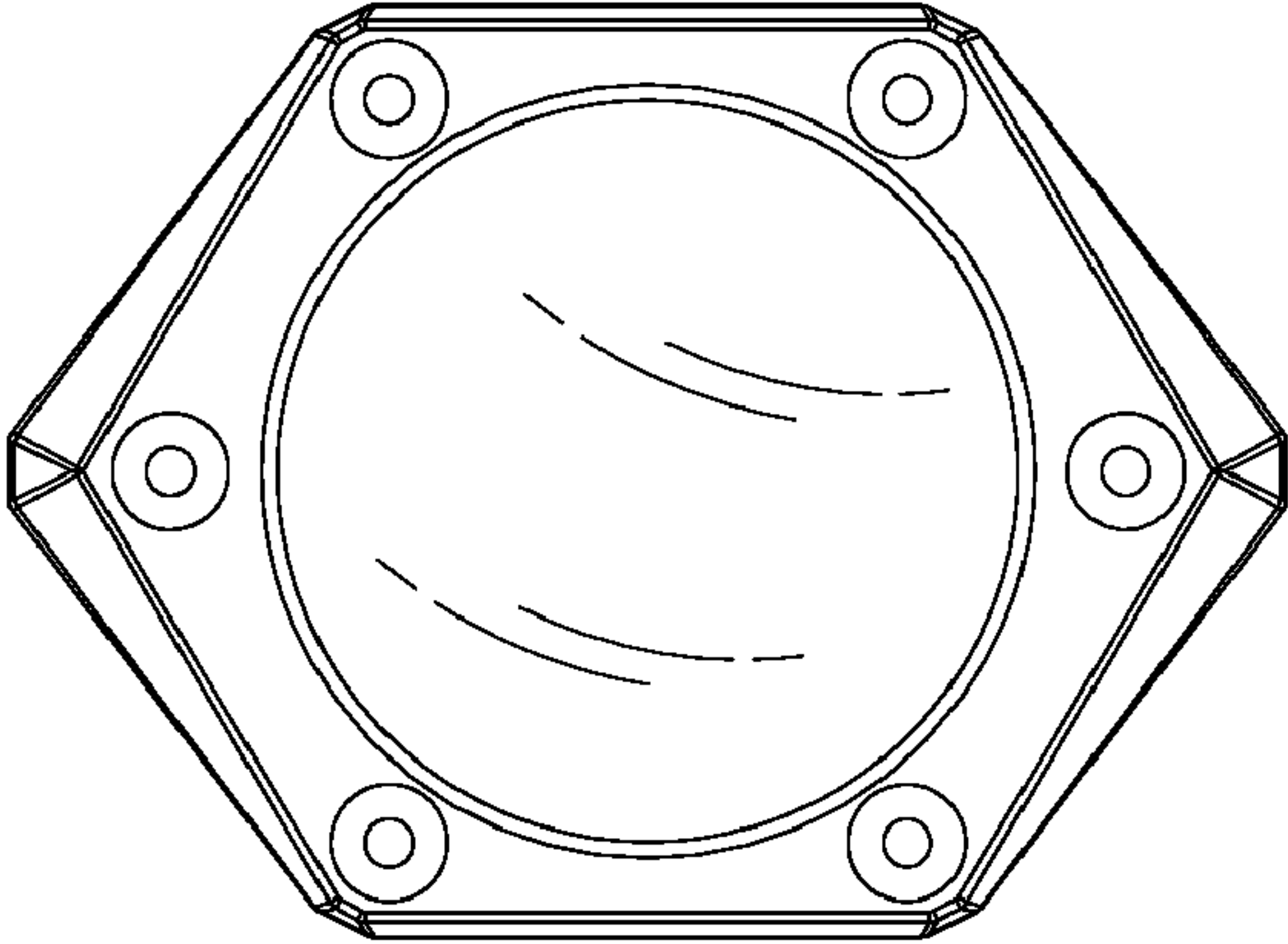


FIG. 2

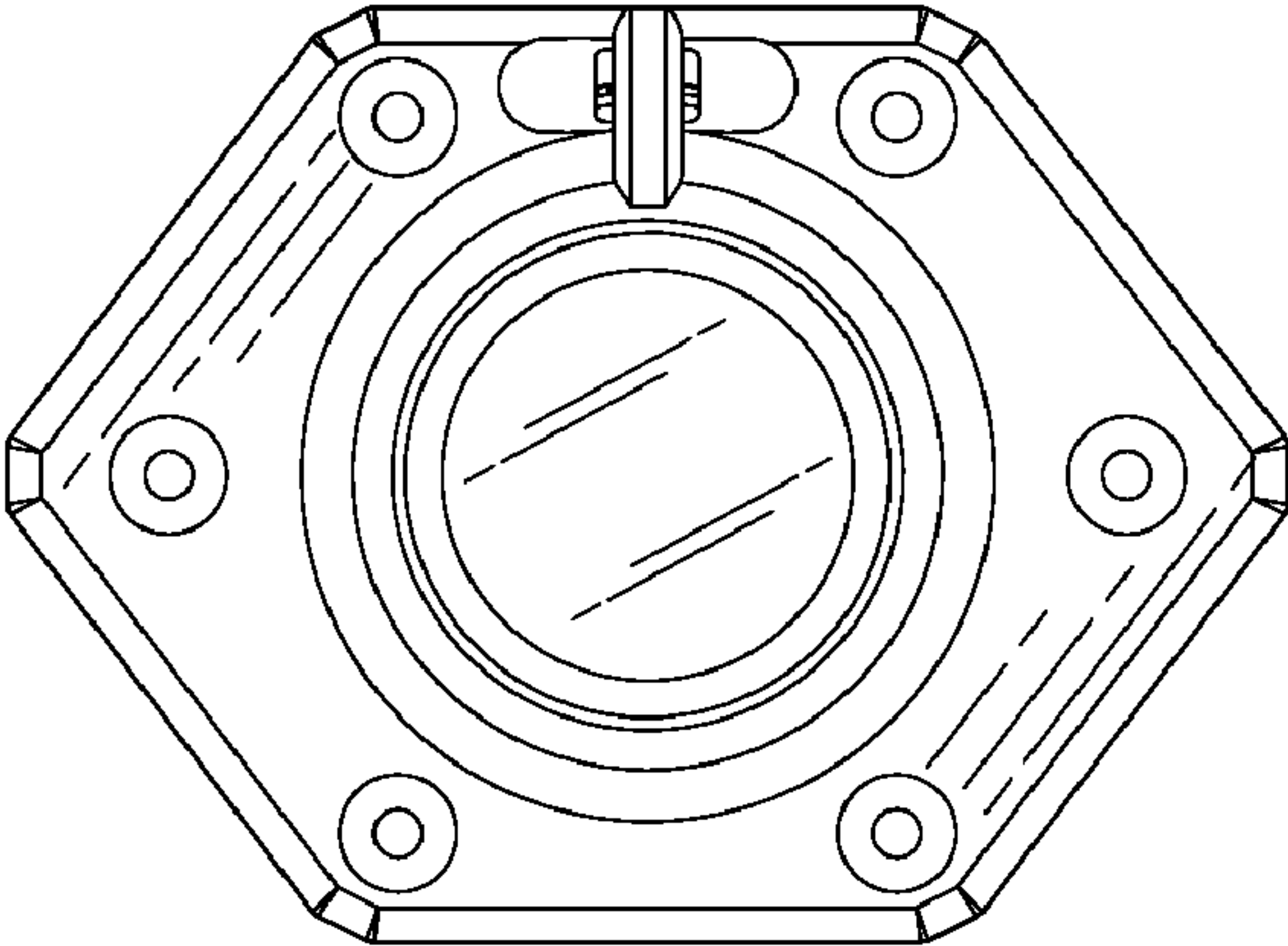


FIG. 3

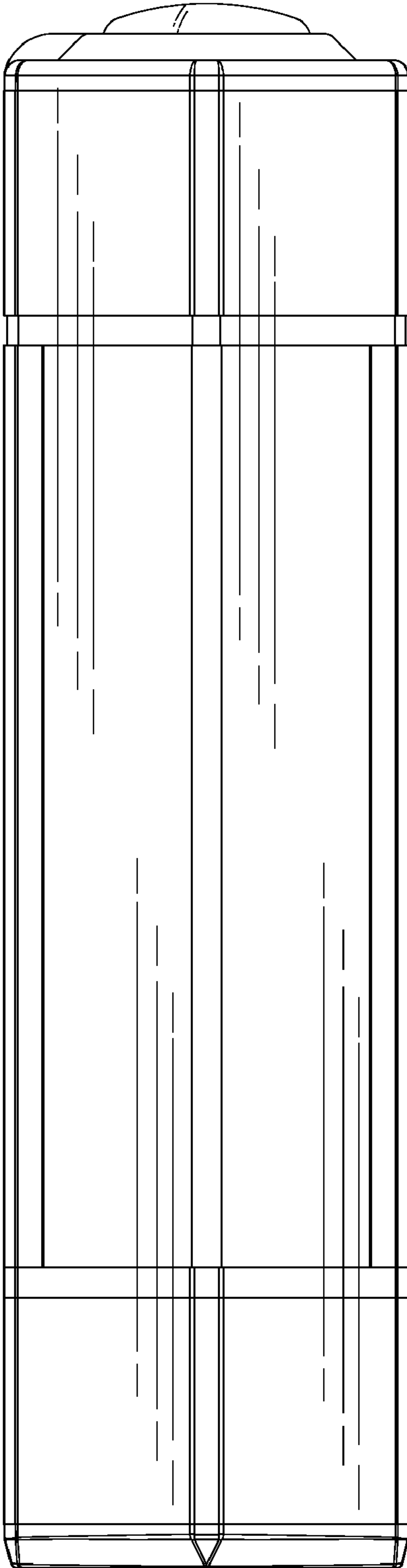


FIG. 4

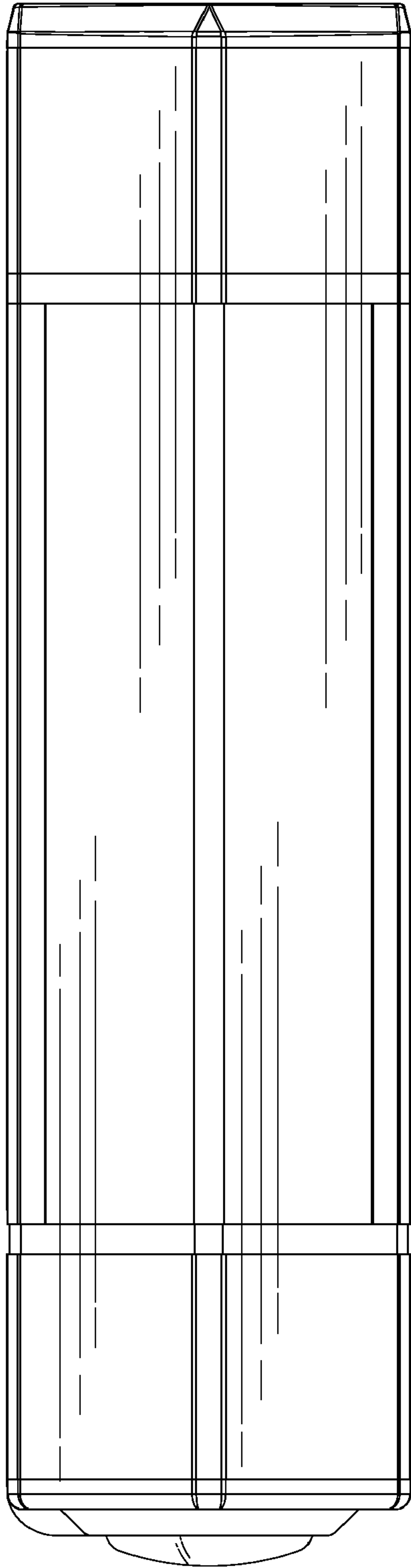


FIG. 5

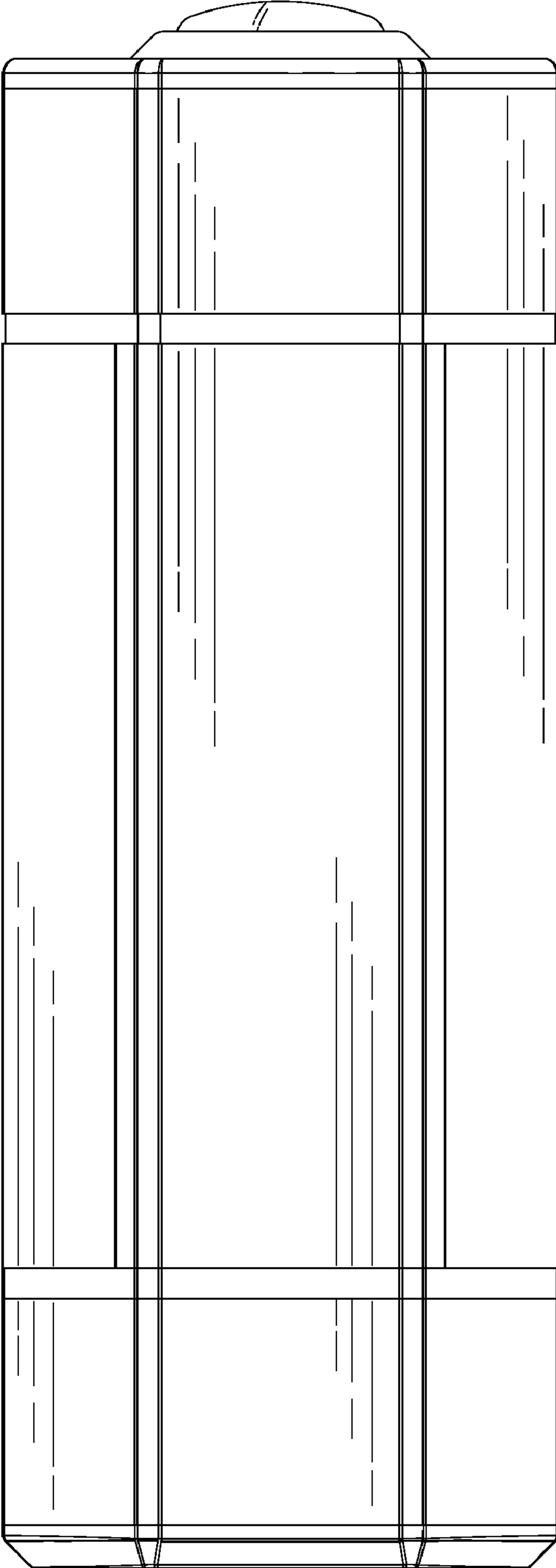


FIG. 6

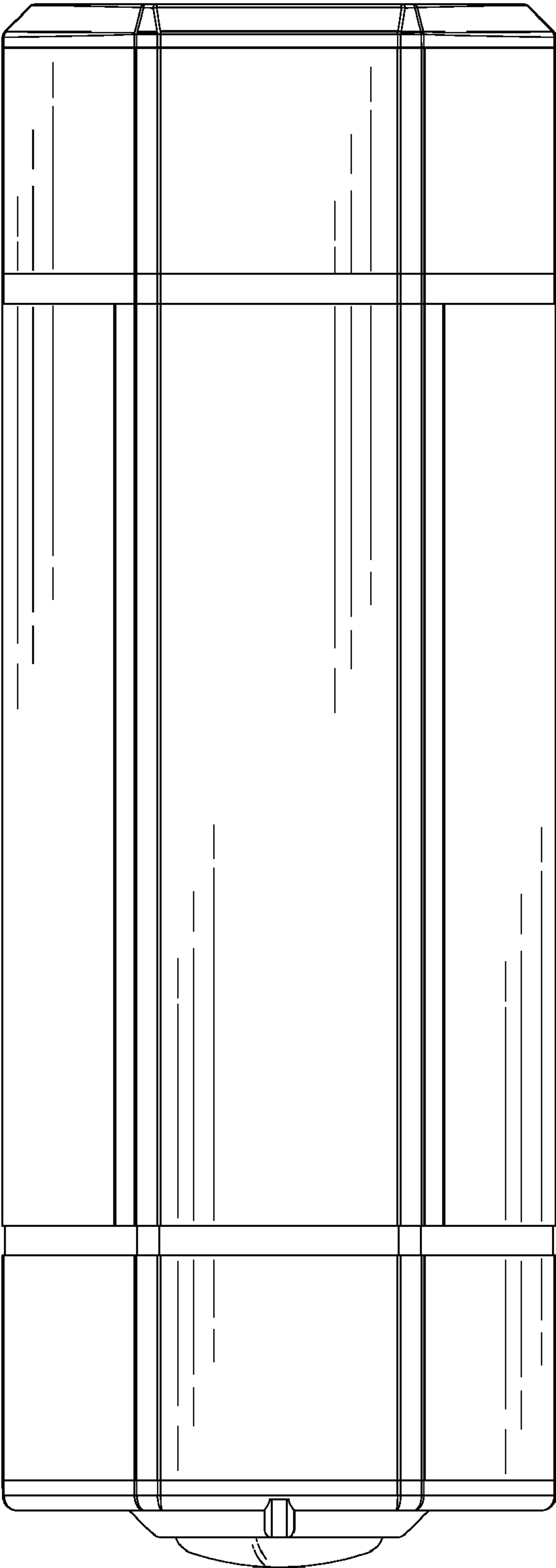


FIG. 7