



US00D596770S

(12) **United States Design Patent**  
**Hine et al.**

(10) **Patent No.:** **US D596,770 S**

(45) **Date of Patent:** **\*\* Jul. 21, 2009**

(54) **LIGHTING DEVICE**

(75) Inventors: **David J Hine**, Skaneateles, NY (US);  
**Scott W Osiecki**, Skaneateles, NY (US);  
**Donwoong Kang**, Camillus, NY (US)

(73) Assignee: **Eveready Battery Company, Inc.**, St. Louis, MO (US)

(\*\*) Term: **14 Years**

(21) Appl. No.: **29/312,466**

(22) Filed: **Oct. 22, 2008**

(30) **Foreign Application Priority Data**

May 13, 2008 (EM) ..... 000933726

(51) **LOC (9) Cl.** ..... **26-02**

(52) **U.S. Cl.** ..... **D26/39**

(58) **Field of Classification Search** ..... D26/39,  
D26/37, 38, 46; 362/104-106, 108, 157,  
362/158, 183, 184, 194-196, 200, 201, 208  
See application file for complete search history.

(56) **References Cited**

**U.S. PATENT DOCUMENTS**

D470,615 S \* 2/2003 Janice et al. .... D26/39  
D506,846 S \* 6/2005 Kang et al. .... D26/39  
D547,475 S \* 7/2007 Xu ..... D26/39  
D566,310 S \* 4/2008 Alessio ..... D26/39  
D568,510 S \* 5/2008 Shiu ..... D26/39  
D573,736 S \* 7/2008 Poon ..... D26/39

D575,888 S \* 8/2008 Shiu ..... D26/39  
2008/0205036 A1 \* 8/2008 Tarter et al. .... 362/105

\* cited by examiner

*Primary Examiner*—Ian Simmons

*Assistant Examiner*—Carissa C Fitts

(74) *Attorney, Agent, or Firm*—Gregory J. Adams

(57) **CLAIM**

We claim the ornamental design for a lighting device, as shown and described.

**DESCRIPTION**

FIG. 1 is a perspective view of the lighting device showing our new design.

FIG. 2 is a perspective view of the lighting device.

FIG. 3 is a front view of the lighting device.

FIG. 4 is a rear view of the lighting device.

FIG. 5 is a right side view of the lighting device.

FIG. 6 is a top view of the lighting device.

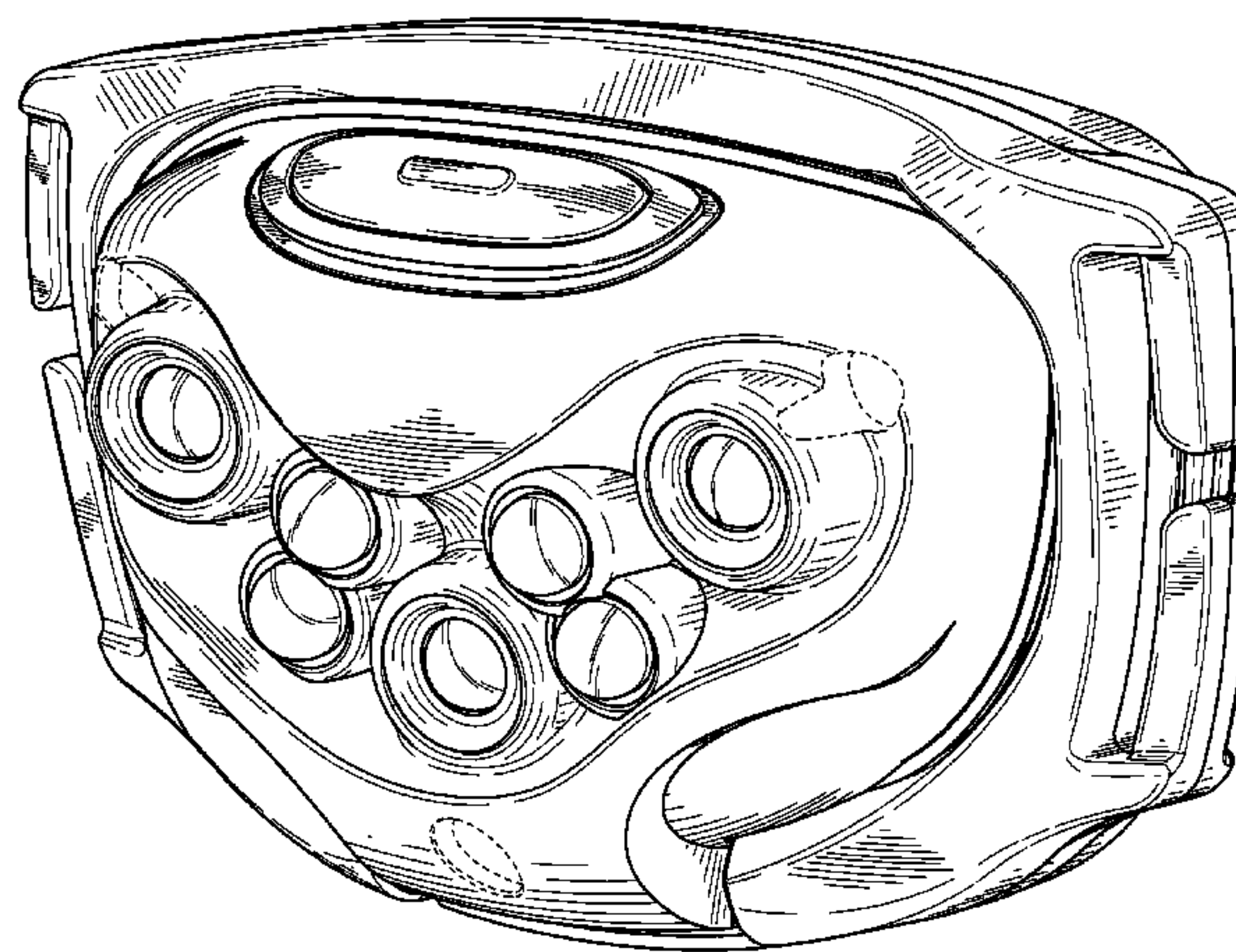
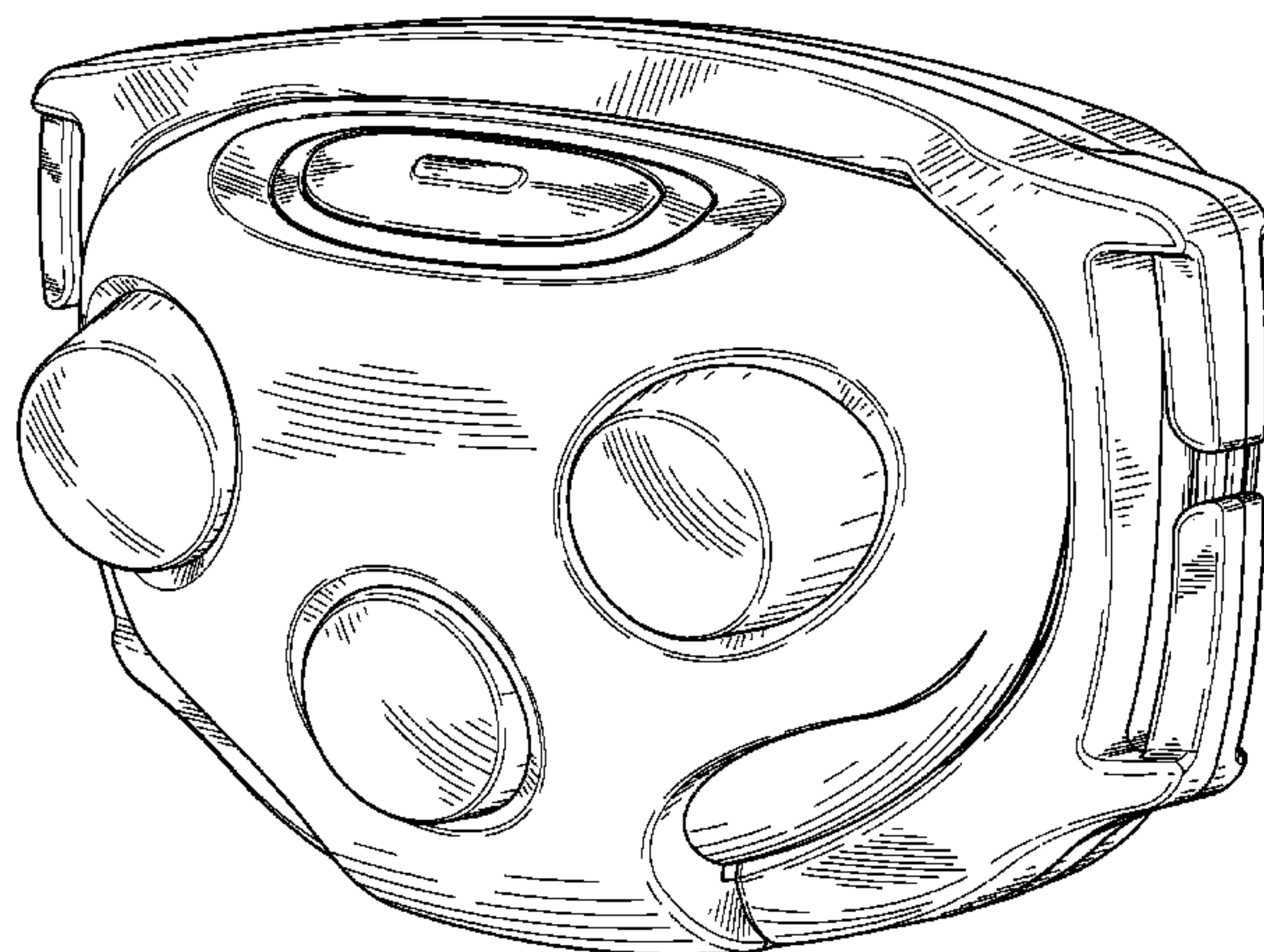
FIG. 7 is a bottom view of the lighting device.

FIG. 8 is a second perspective view of the lighting device with a light housing rotated away from a bracket; and,

FIG. 9 is a perspective view of the lighting device with the lens removed.

Any broken line(s) shown are for illustrative purposes only and form no part of the claimed design.

**1 Claim, 9 Drawing Sheets**



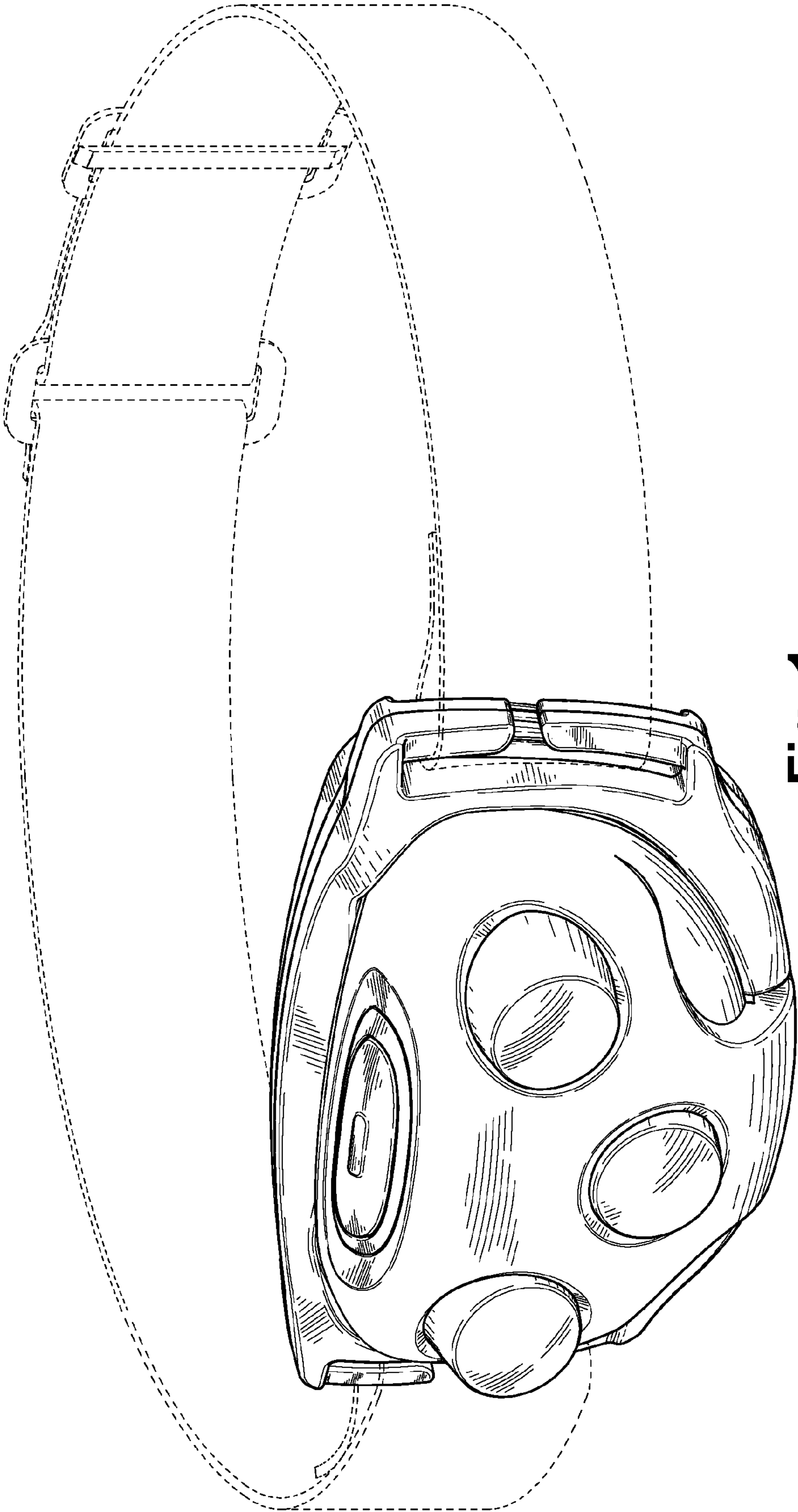


Fig. 1



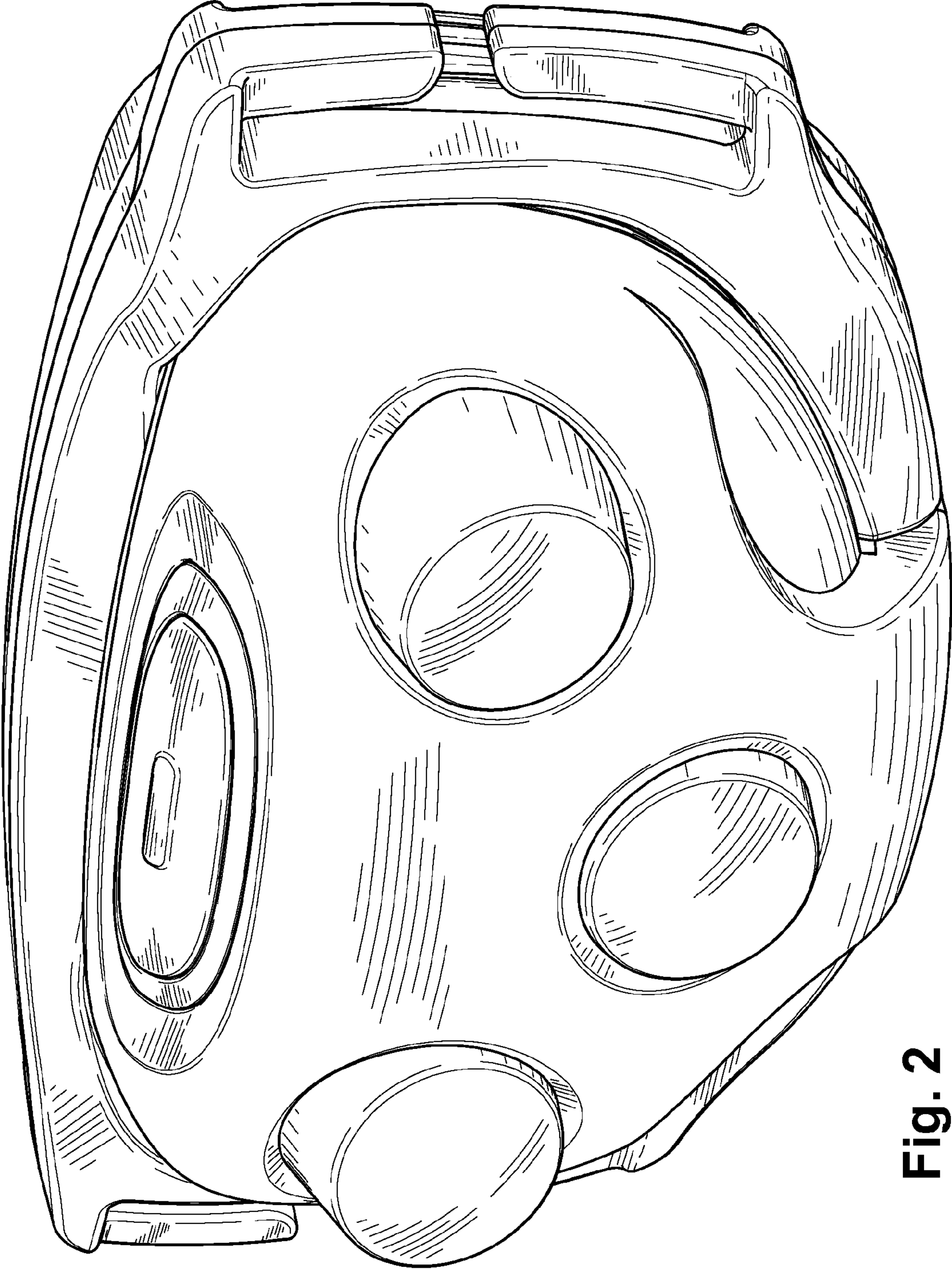


Fig. 2

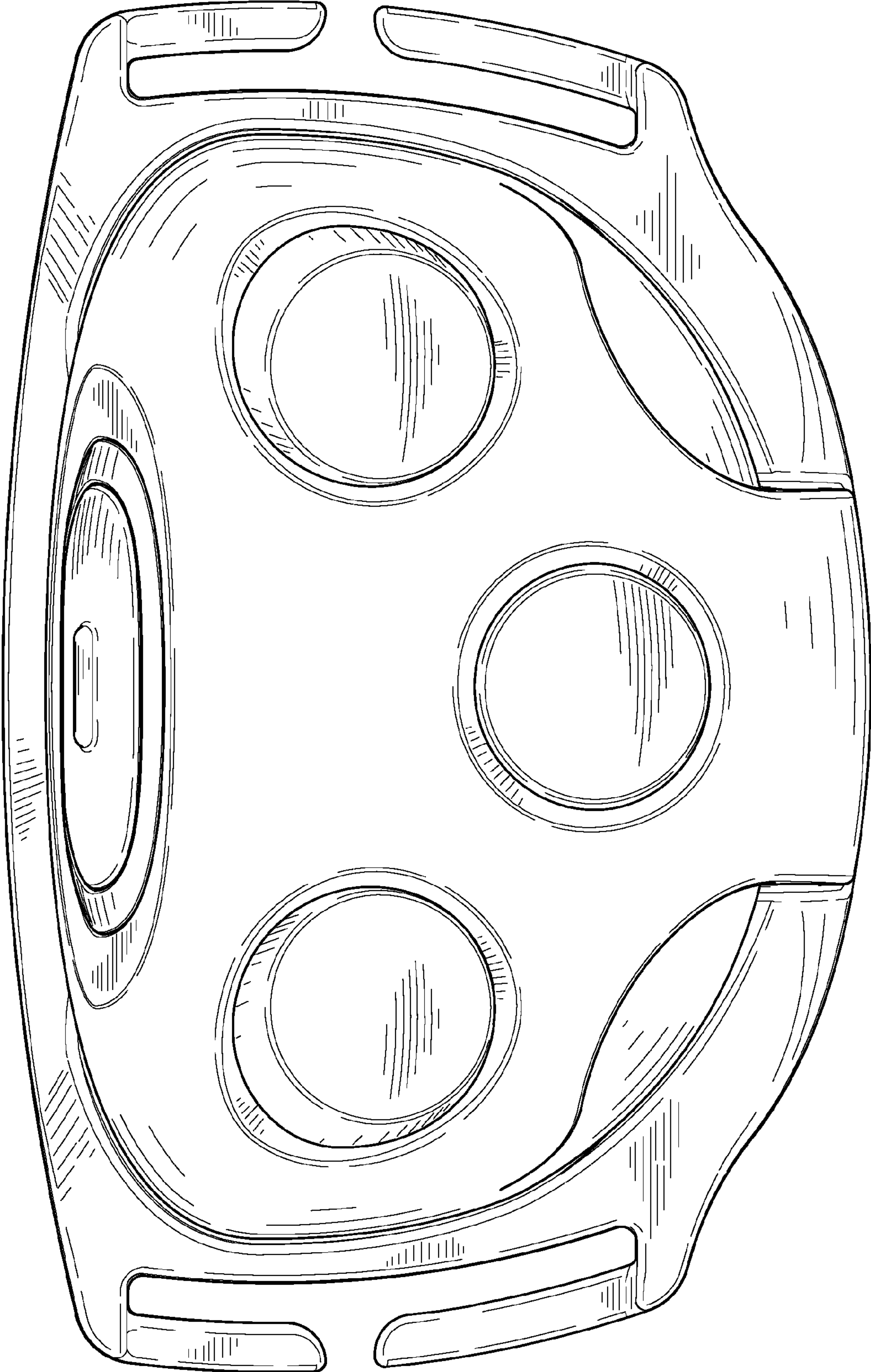


Fig. 3

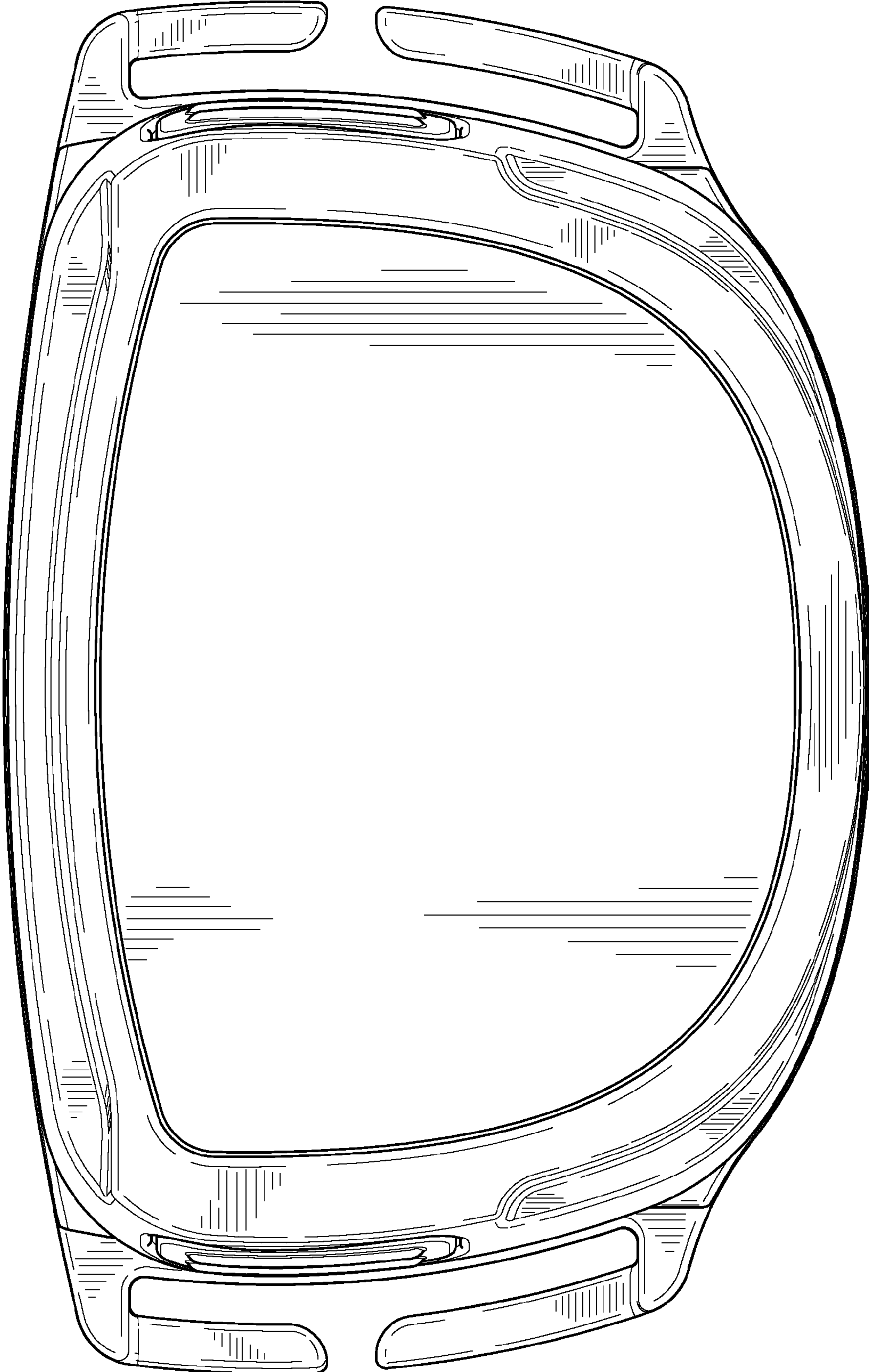


Fig. 4



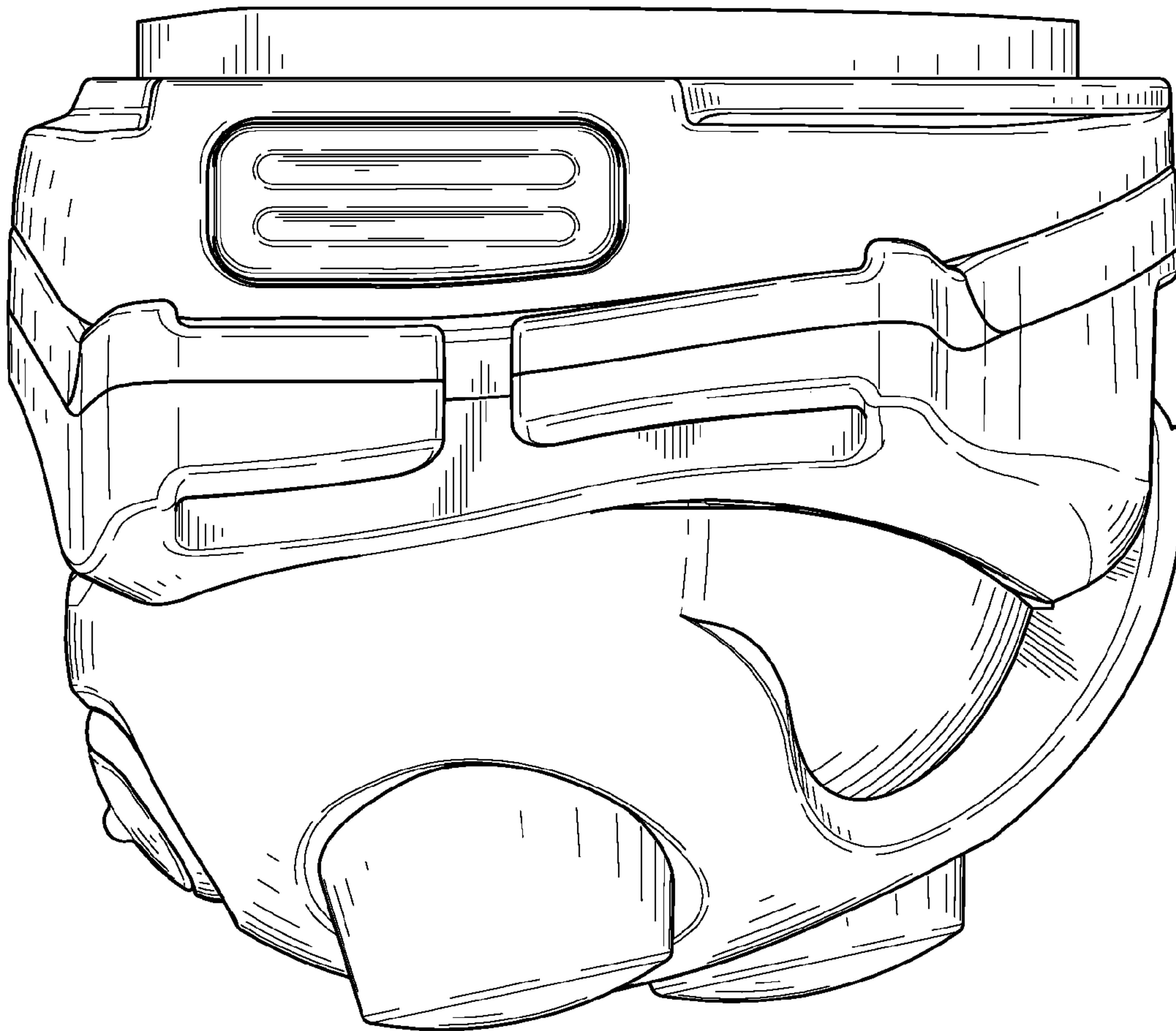


Fig. 5

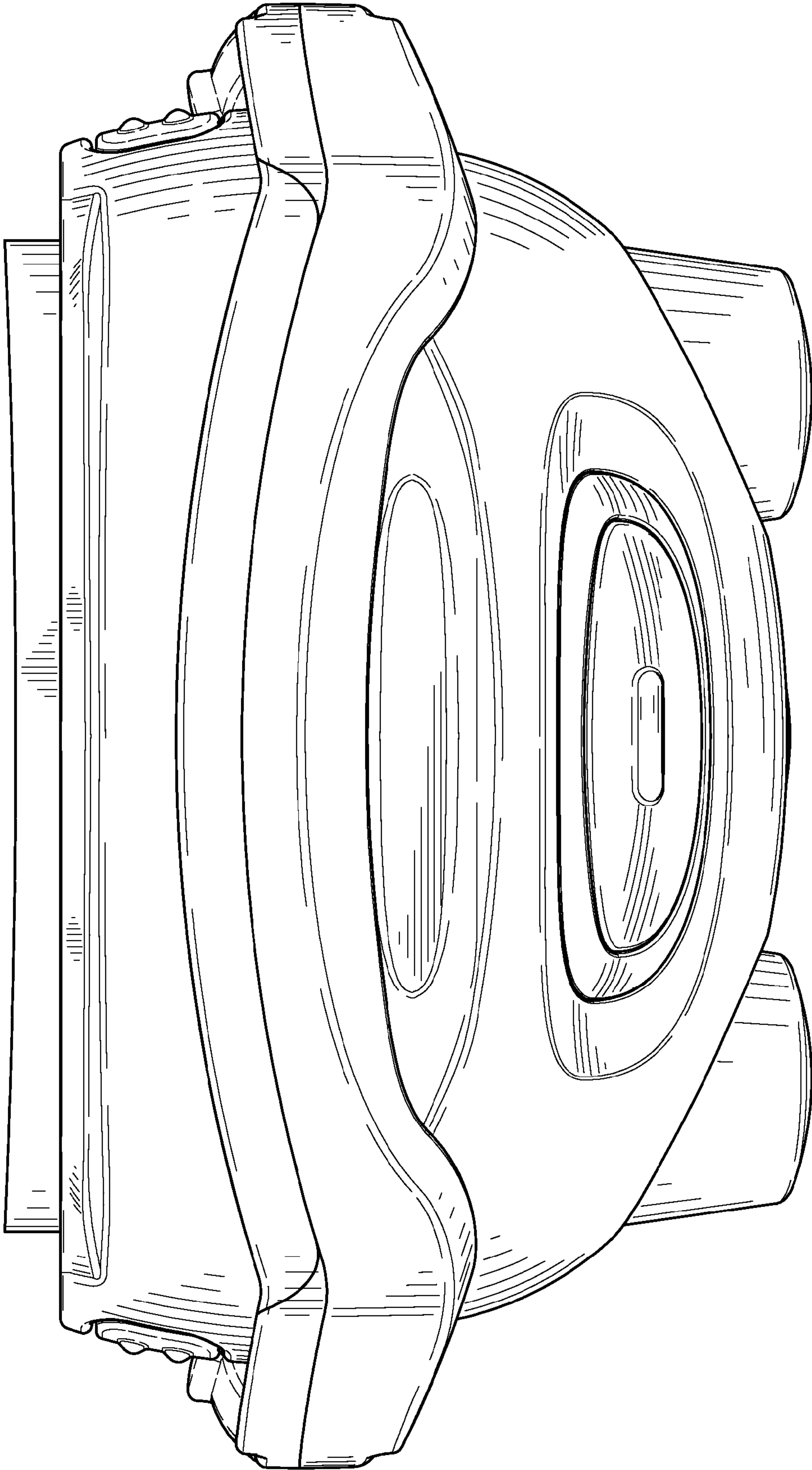


Fig. 6

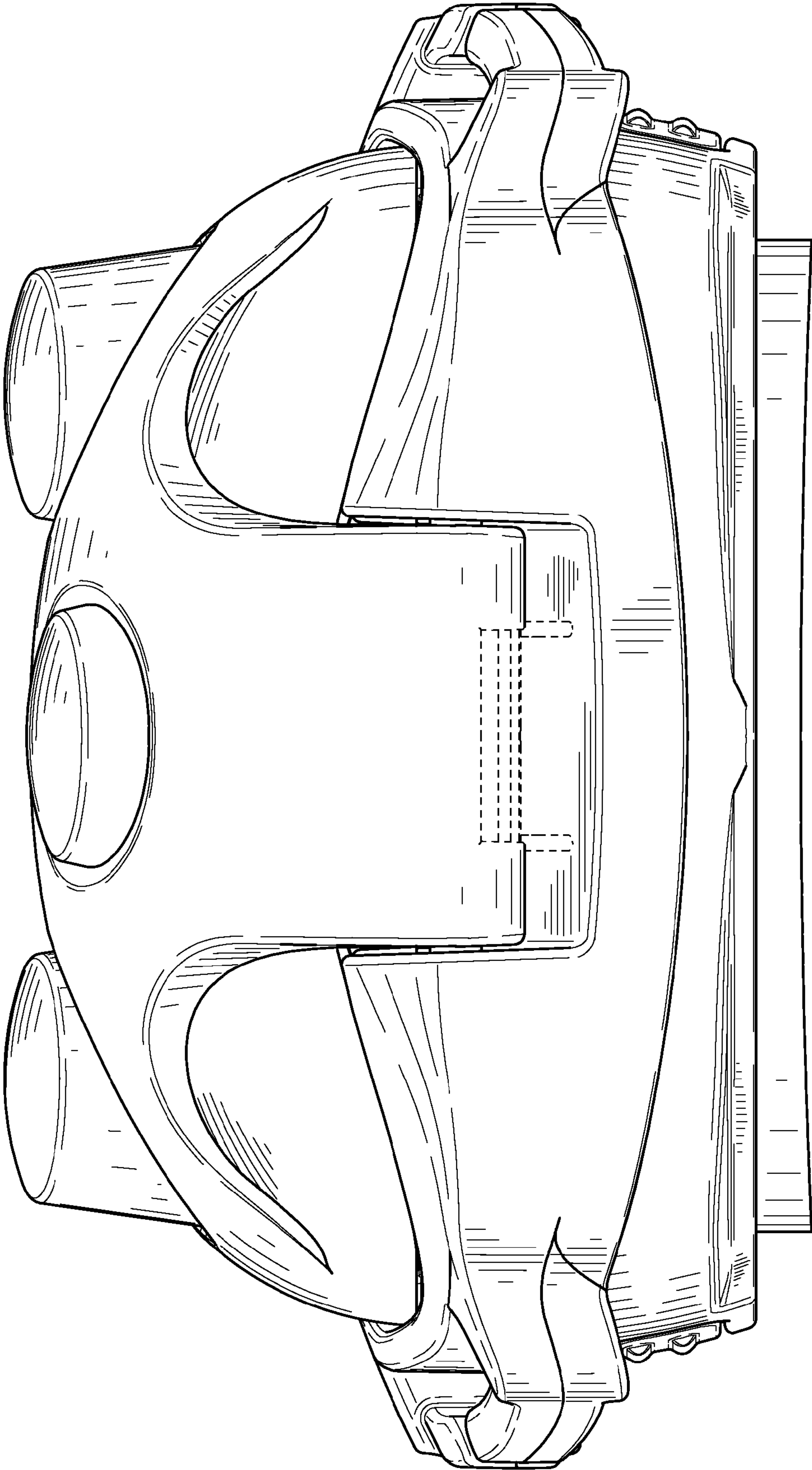


Fig. 7



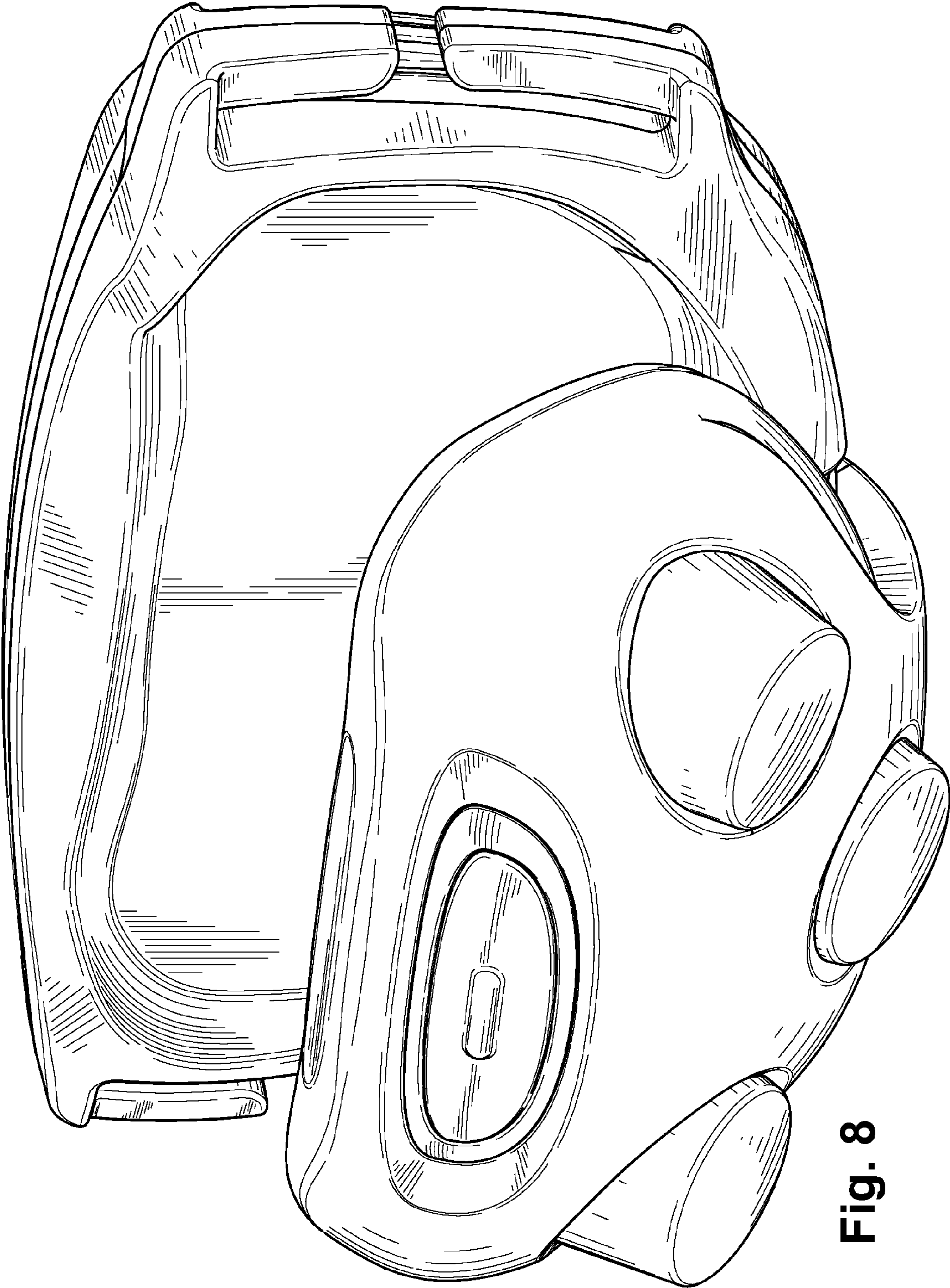


Fig. 8

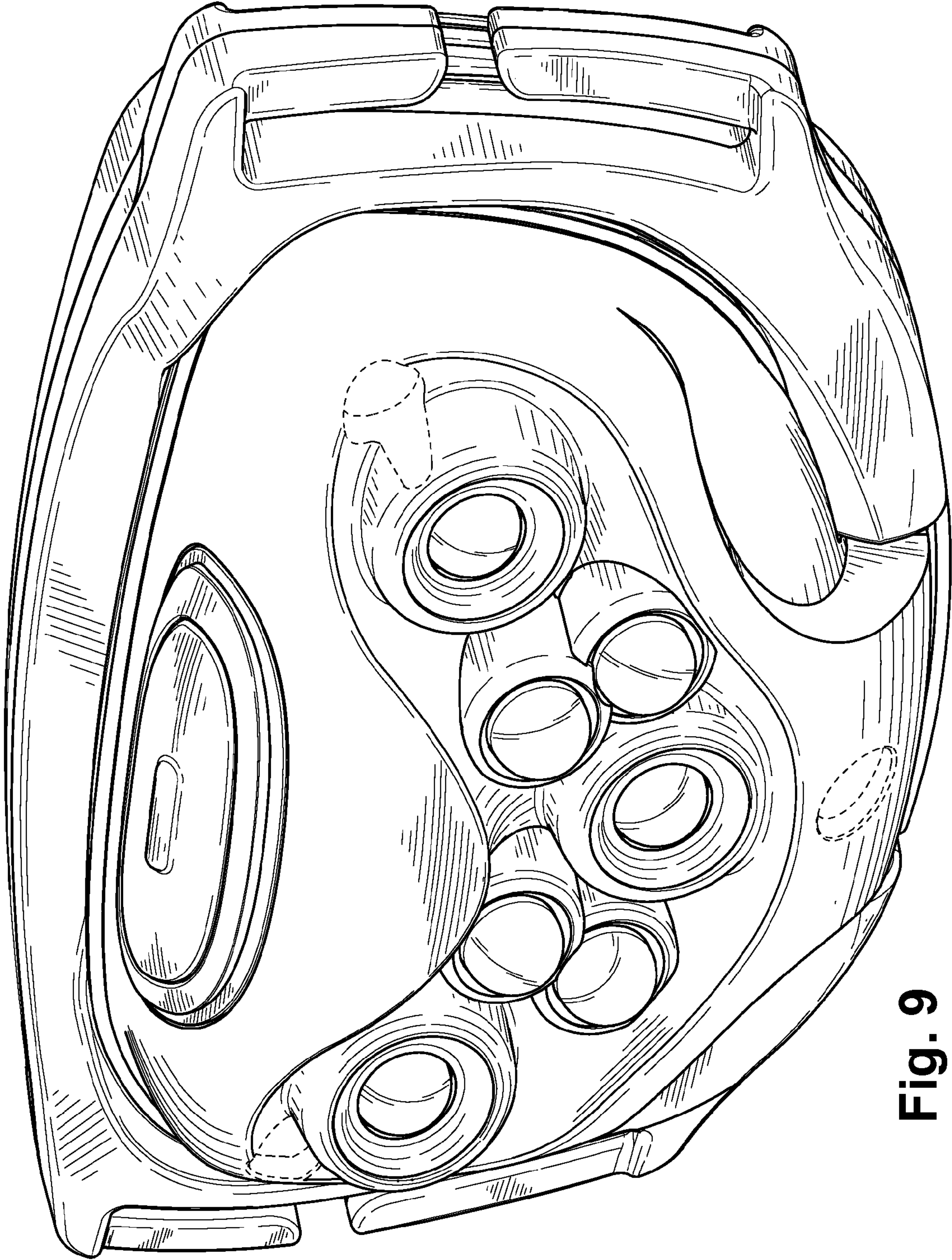


Fig. 9