



US00D596766S

(12) **United States Design Patent**
Yoneyama

(10) **Patent No.:** **US D596,766 S**

(45) **Date of Patent:** **** Jul. 21, 2009**

(54) **REAR COMBINATION LAMP FOR VEHICLE**

(75) Inventor: **Takumi Yoneyama**, Tokyo (JP)

(73) Assignee: **Nissan Motor Co., Ltd.**, Yokohama-shi (JP)

(**) Term: **14 Years**

(21) Appl. No.: **29/297,797**

(22) Filed: **Nov. 19, 2007**

(30) **Foreign Application Priority Data**

May 21, 2007 (JP) 2007-013336

(51) **LOC (9) Cl.** **26-06**

(52) **U.S. Cl.** **D26/28**

(58) **Field of Classification Search** D26/28-36;
362/459-468, 475-478, 485-487
See application file for complete search history.

(56) **References Cited**

U.S. PATENT DOCUMENTS

D553,269 S *	10/2007	Pfeiffer et al.	D26/28
D560,292 S *	1/2008	Sato	D26/28
D561,357 S *	2/2008	Leclercq et al.	D26/28
D565,211 S *	3/2008	Haller et al.	D26/28

* cited by examiner

Primary Examiner—Marcus A. Jackson
(74) *Attorney, Agent, or Firm*—Foley & Lardner LLP

(57) **CLAIM**

The ornamental design for a rear combination lamp for vehicle, as shown and described.

DESCRIPTION

FIG. 1 is a perspective view of a rear combination lamp for vehicle;

FIG. 2 is a front view thereof;

FIG. 3 is a rear view thereof;

FIG. 4 is a top plan view thereof;

FIG. 5 is a bottom plan view thereof;

FIG. 6 is a left side view thereof;

FIG. 7 is a right side view thereof;

FIG. 8 is a referential perspective view thereof;

FIG. 9 is a referential perspective view thereof showing the article with its outer lens removed; and,

FIG. 10 is a referential perspective view thereof showing the article with its outer lens and inner lens removed.

1 Claim, 5 Drawing Sheets

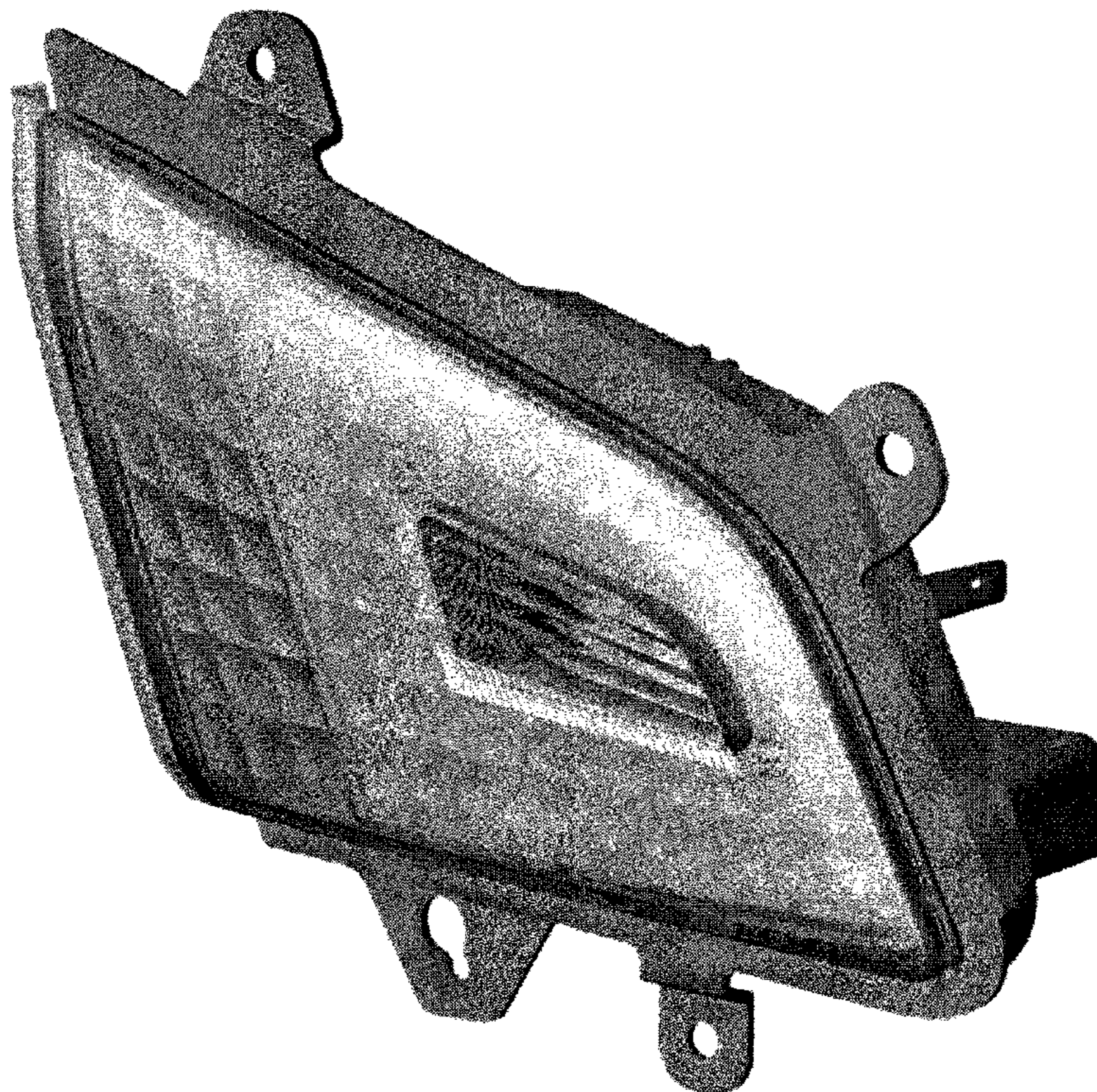


Fig.1

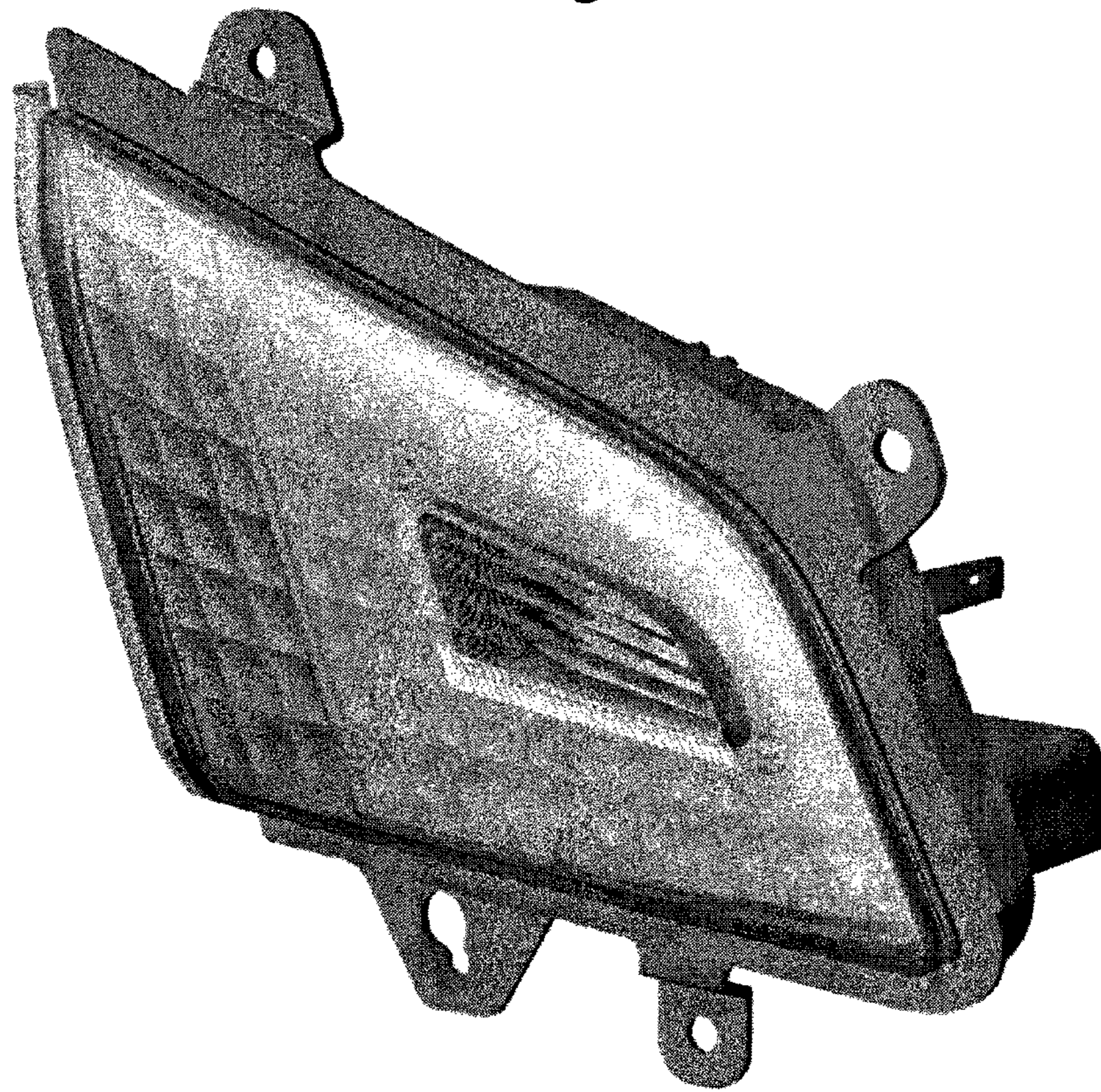


Fig.2

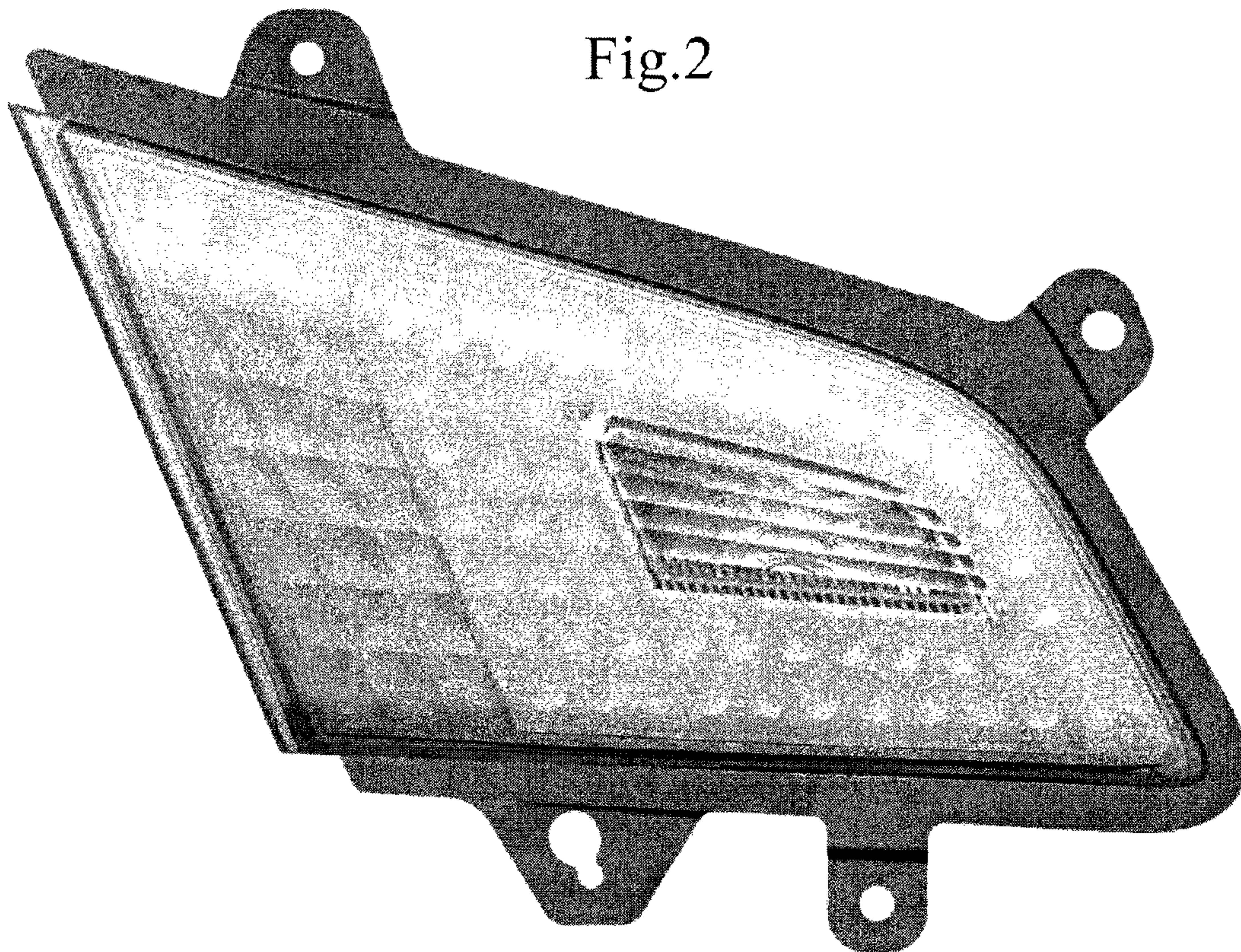


Fig.3

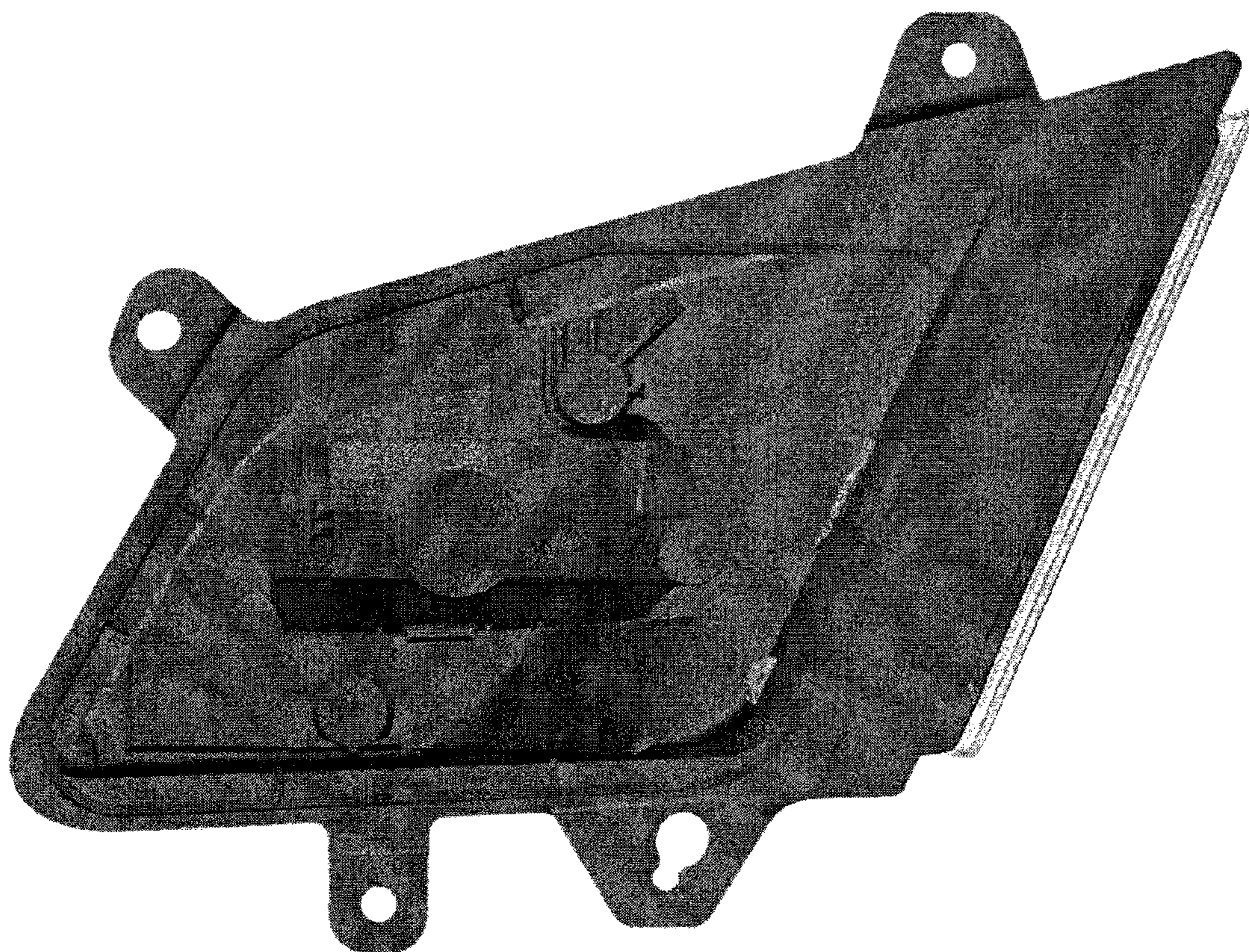


Fig. 4

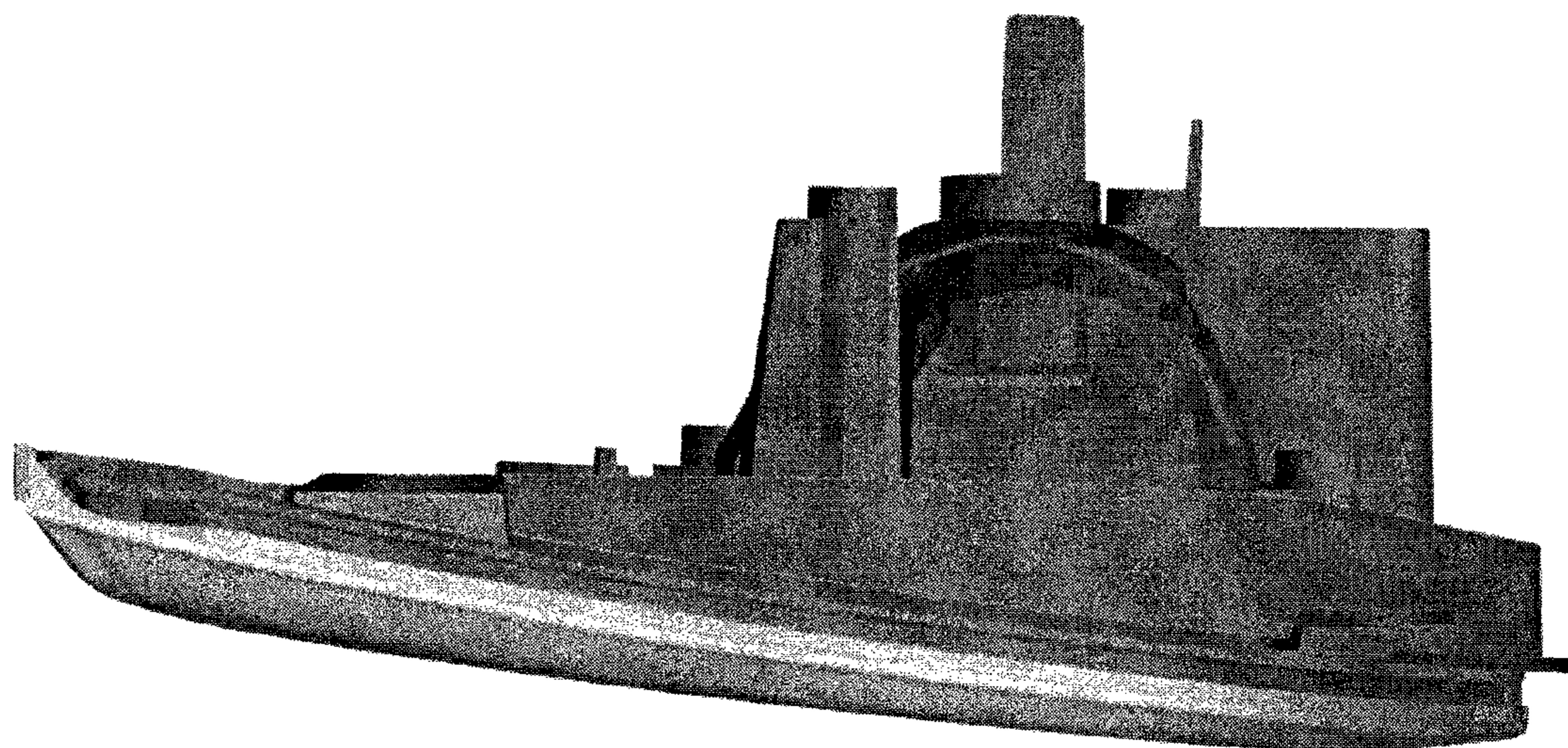


Fig.5

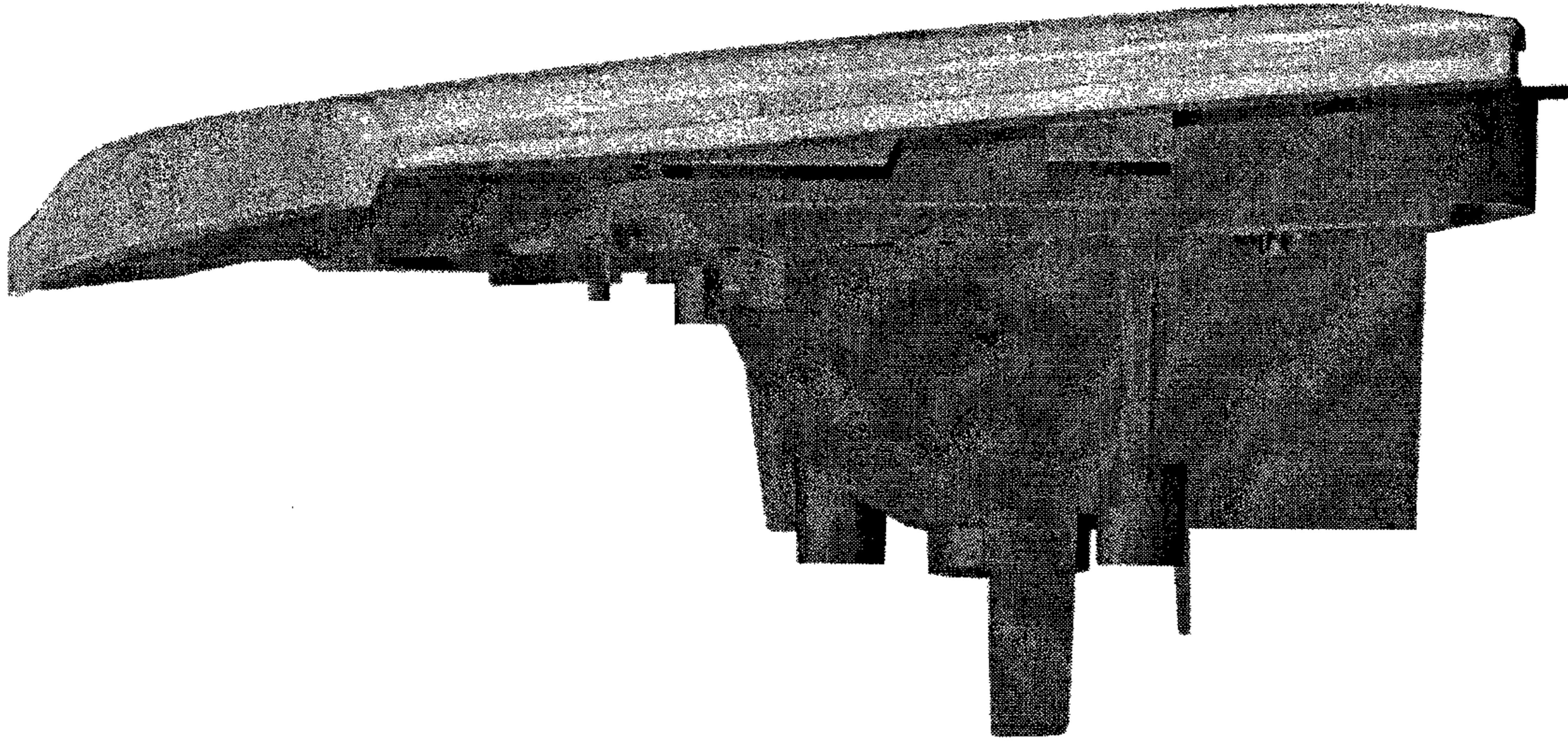


Fig.6

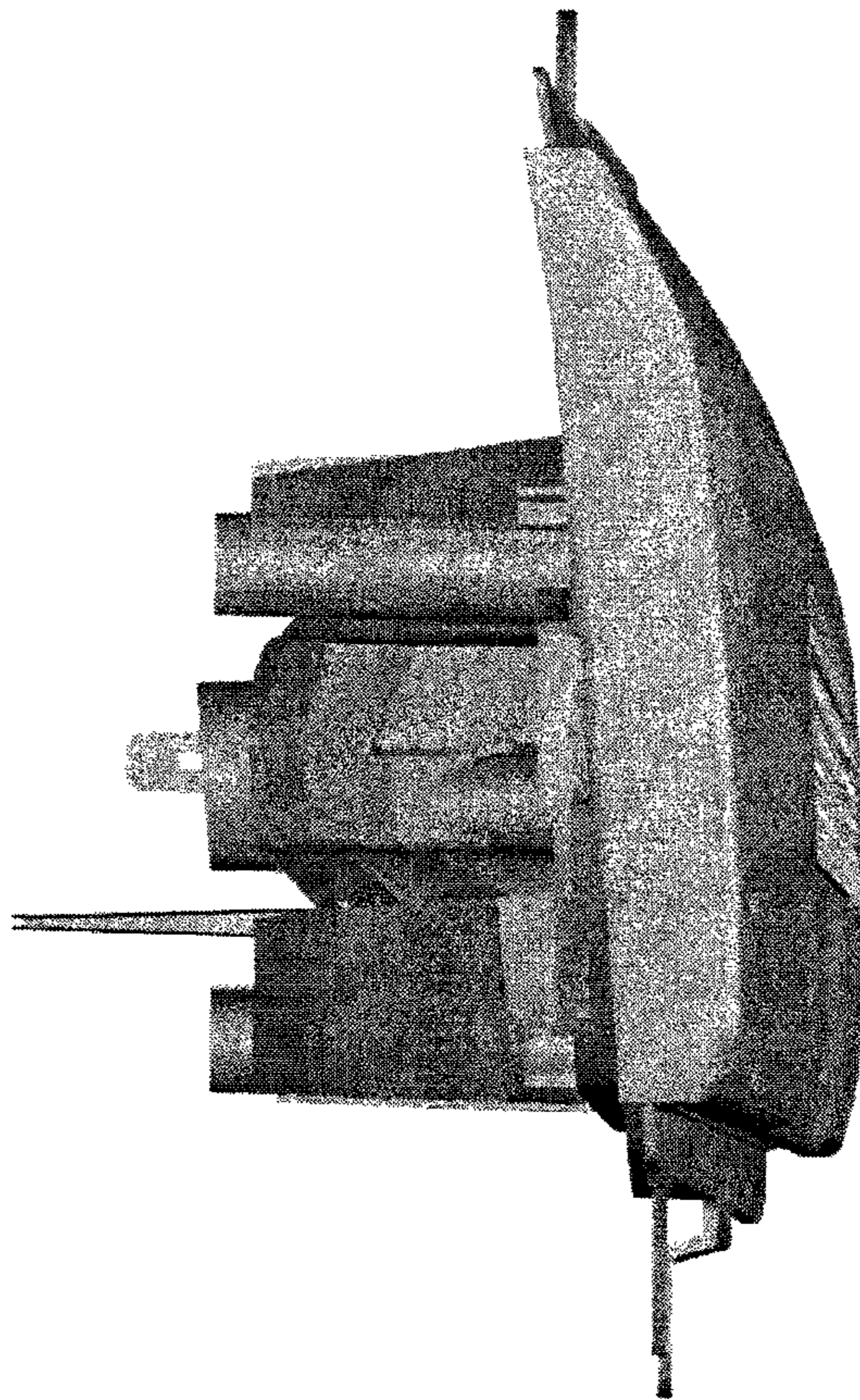


Fig.7

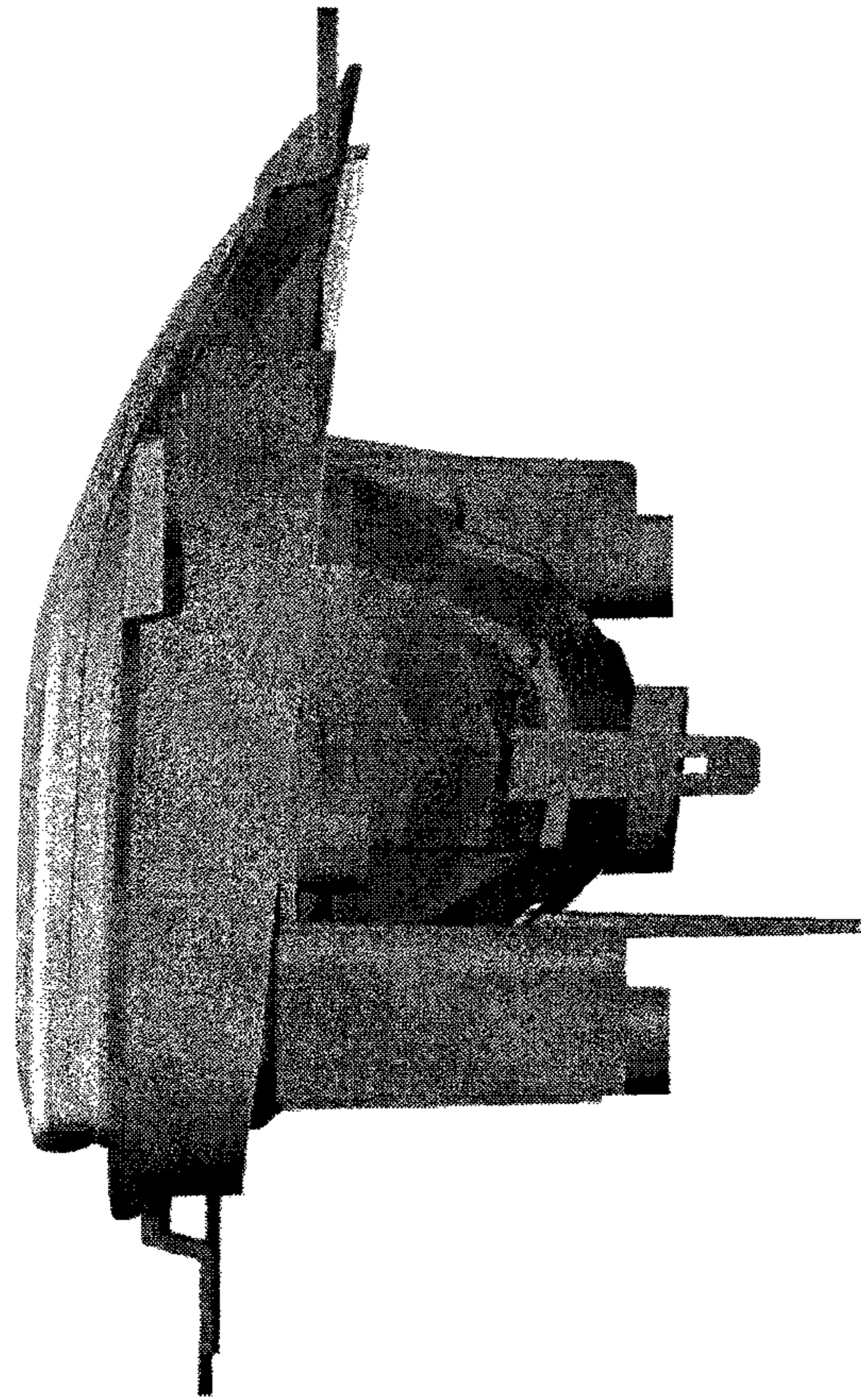


Fig.8

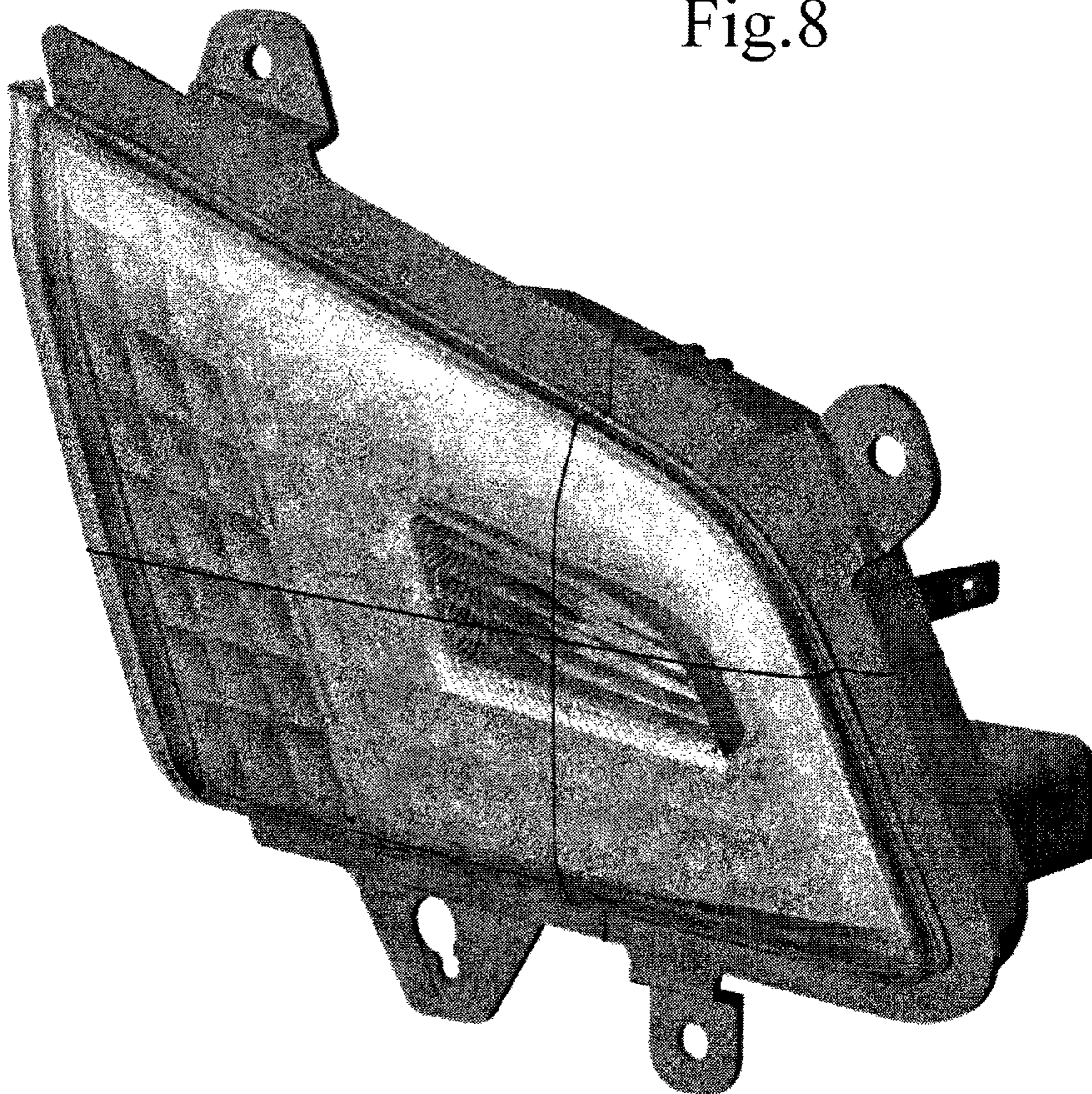


Fig.9

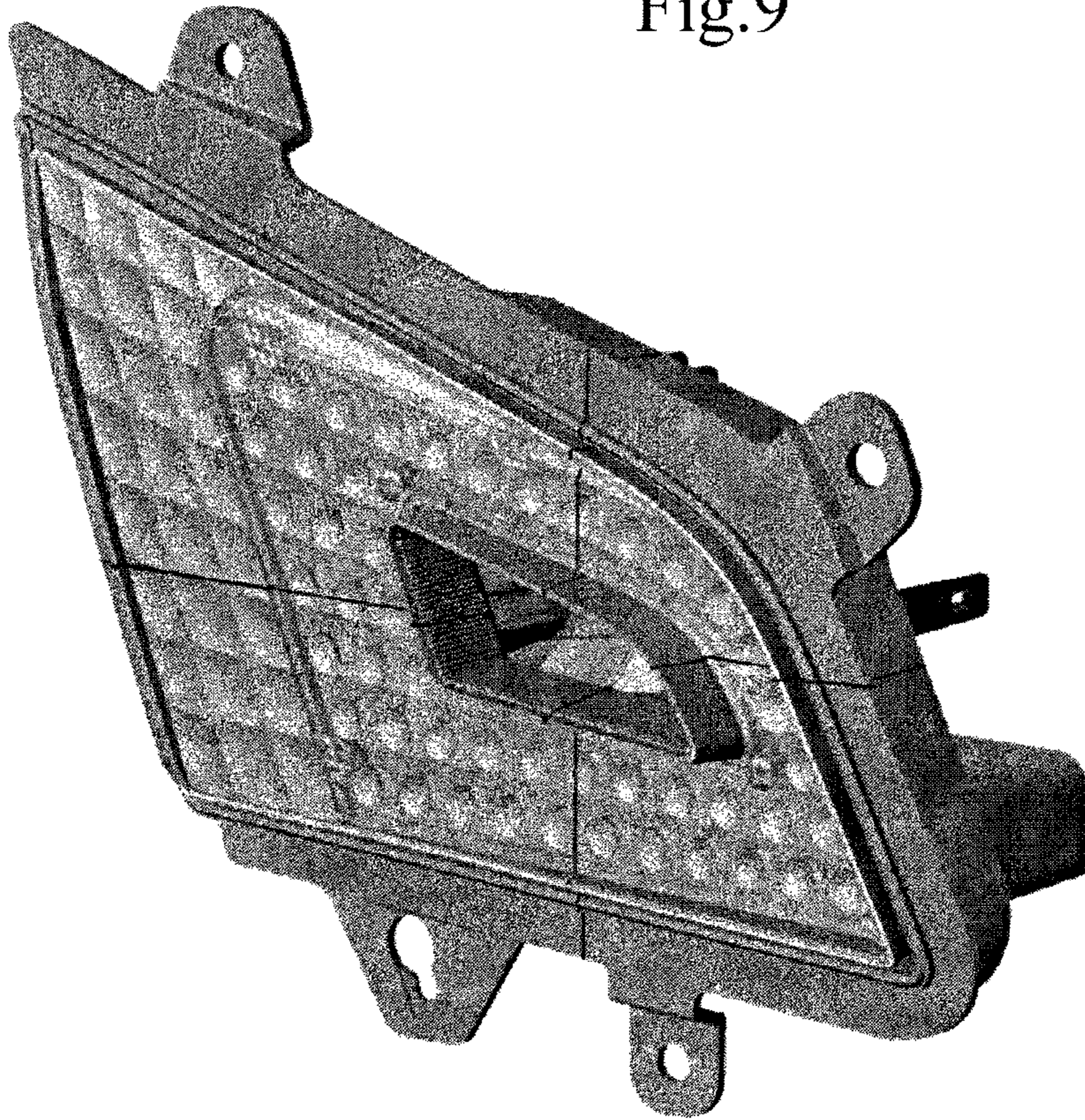


Fig.10

