



US00D596765S

(12) **United States Design Patent**
Chiu

(10) **Patent No.:** **US D596,765 S**

(45) **Date of Patent:** **** Jul. 21, 2009**

(54) **LED LAMP**

D516,229 S * 2/2006 Tang D26/2
D538,951 S * 3/2007 Maxik et al. D26/2
D584,428 S * 1/2009 Li et al. D26/2

(75) Inventor: **Hua-Jung Chiu**, Jhongli (TW)

* cited by examiner

(73) Assignee: **Davinci Industrial Inc.**, Taipei Hsien (TW)

Primary Examiner—Marcus A. Jackson

(**) Term: **14 Years**

(74) *Attorney, Agent, or Firm*—Muncy, Geissler, Olds & Lowe, PLLC

(21) Appl. No.: **29/332,510**

(57) **CLAIM**

(22) Filed: **Feb. 18, 2009**

The ornamental design for a “LED lamp,” as shown and described.

(51) **LOC (9) Cl.** **26-04**

(52) **U.S. Cl.** **D26/2**

(58) **Field of Classification Search** D26/1-4;
313/313, 315, 316, 317, 318, 493; 315/52,
315/53, 56, 57, 58

See application file for complete search history.

DESCRIPTION

FIG. 1 is a perspective view of a “LED lamp” showing my new design;

FIG. 2 is a front view thereof;

FIG. 3 is a rear view thereof;

FIG. 4 is a left side view thereof;

FIG. 5 is a right side view thereof;

FIG. 6 is a top view thereof; and,

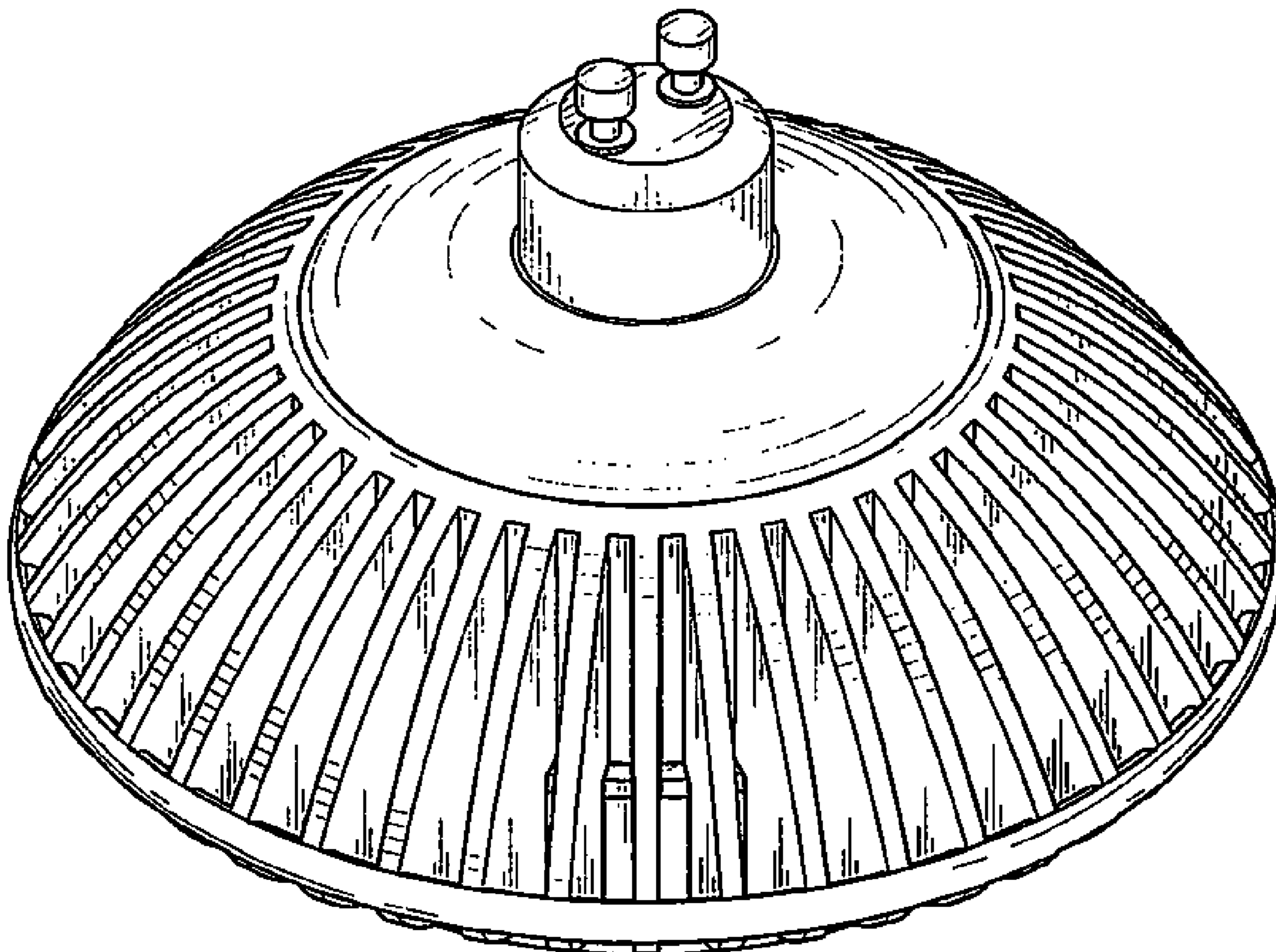
FIG. 7 is a bottom view thereof.

(56) **References Cited**

U.S. PATENT DOCUMENTS

D302,863 S * 8/1989 Krol D26/26
D325,994 S * 5/1992 Hume et al. D26/2
D336,963 S * 6/1993 Levin et al. D26/2
D433,166 S * 10/2000 Noll D26/2
D497,439 S * 10/2004 Shaw et al. D26/2

1 Claim, 4 Drawing Sheets



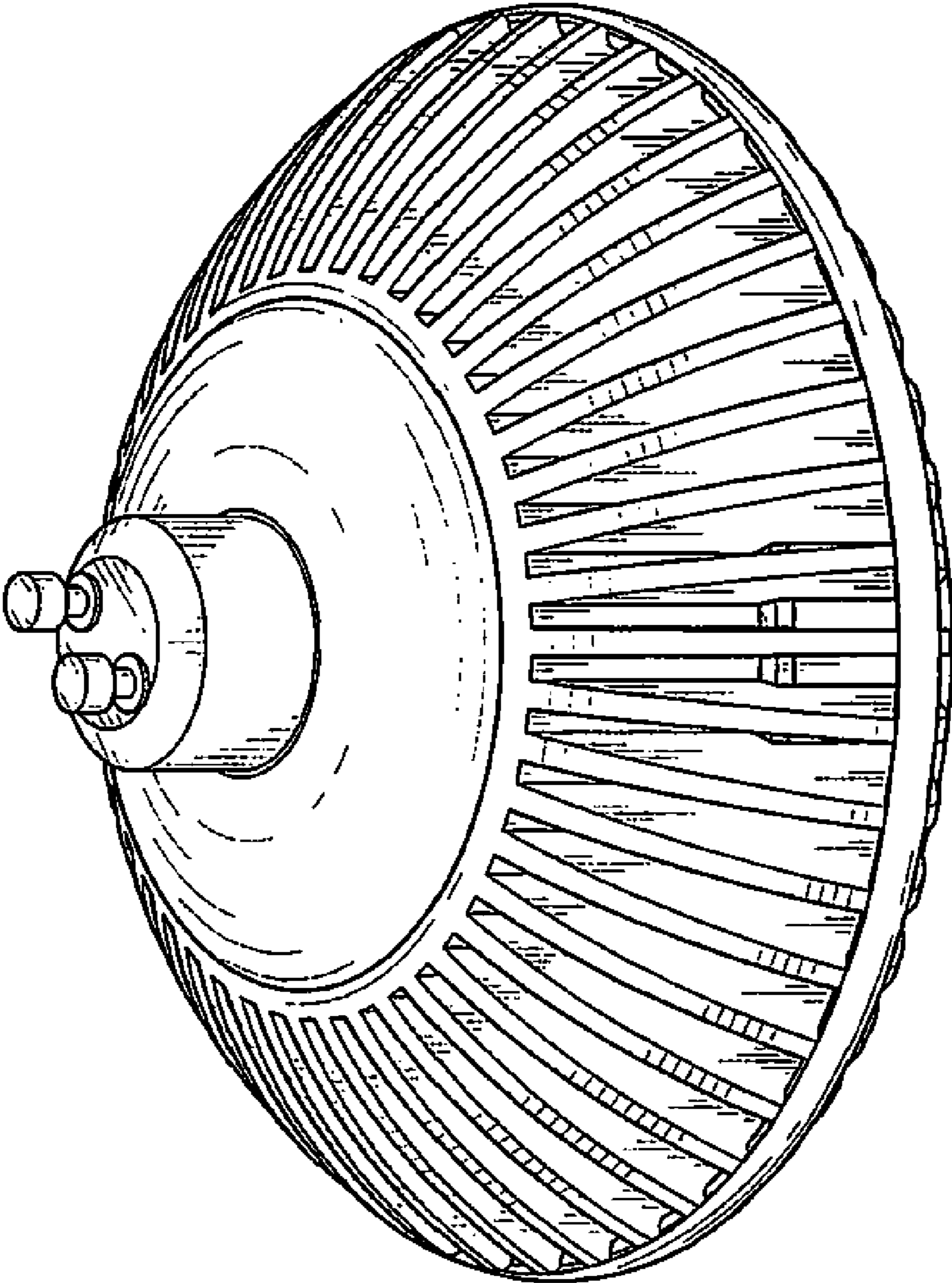


FIG. 1

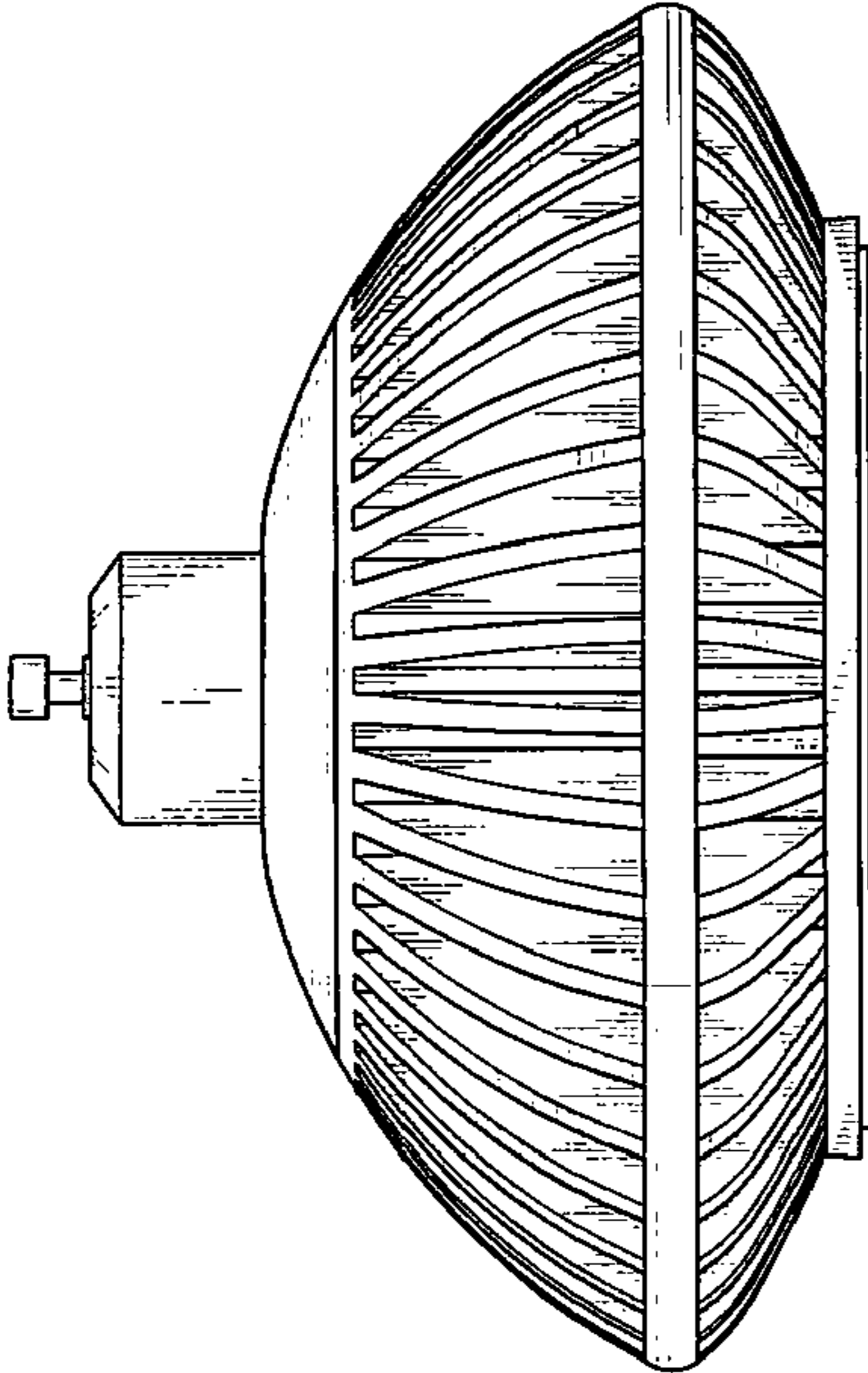


FIG. 2

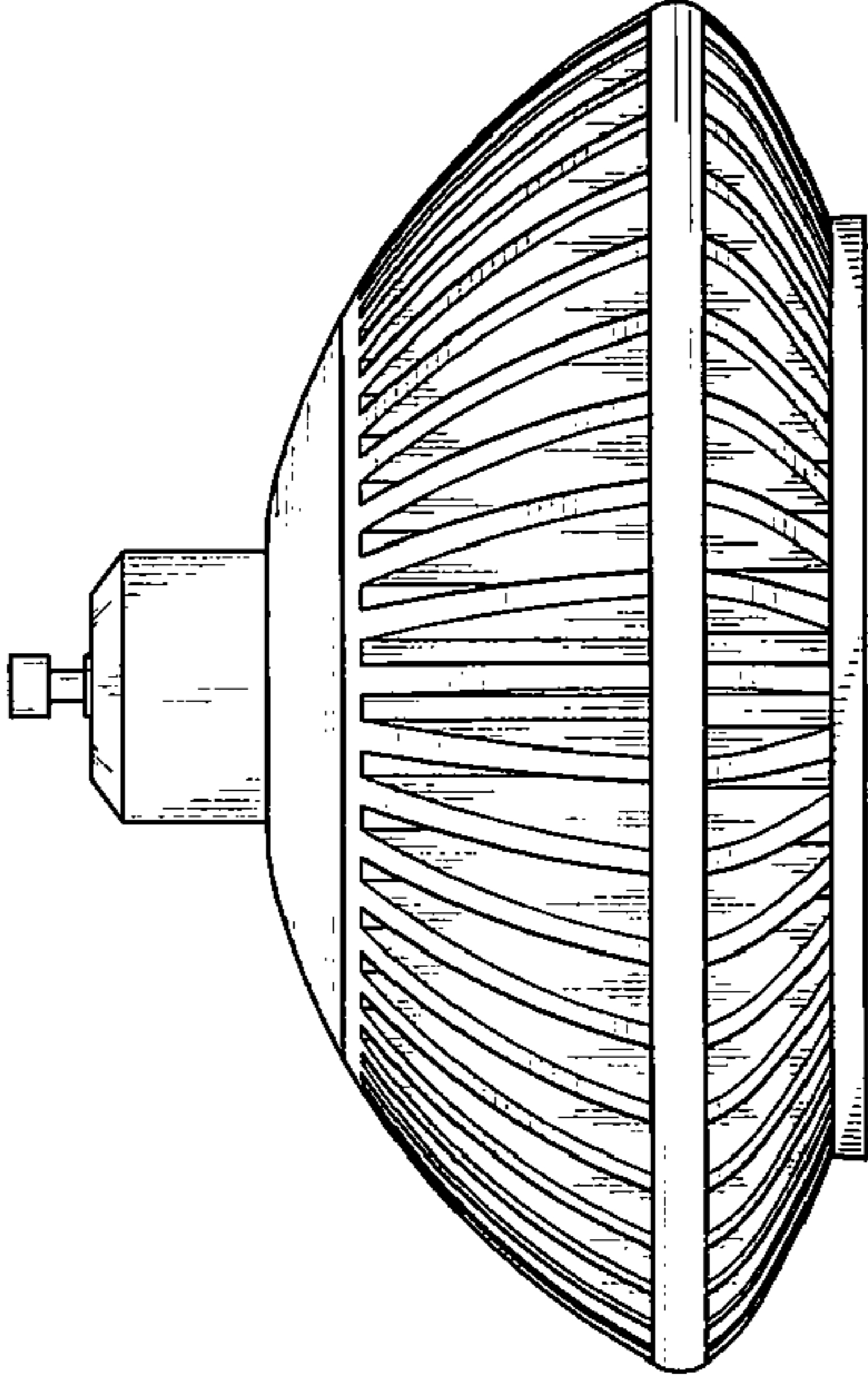


FIG. 3

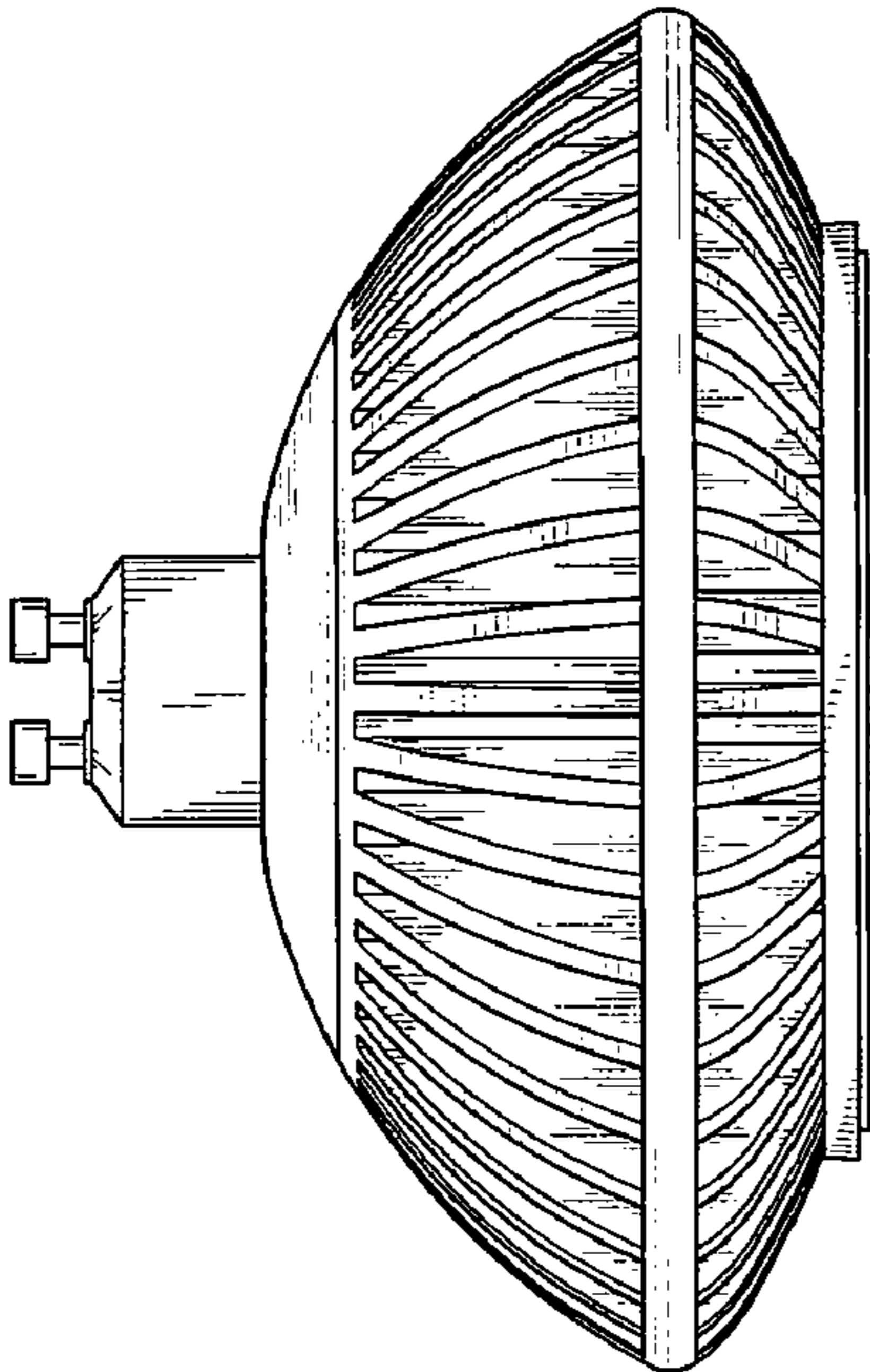


FIG. 4

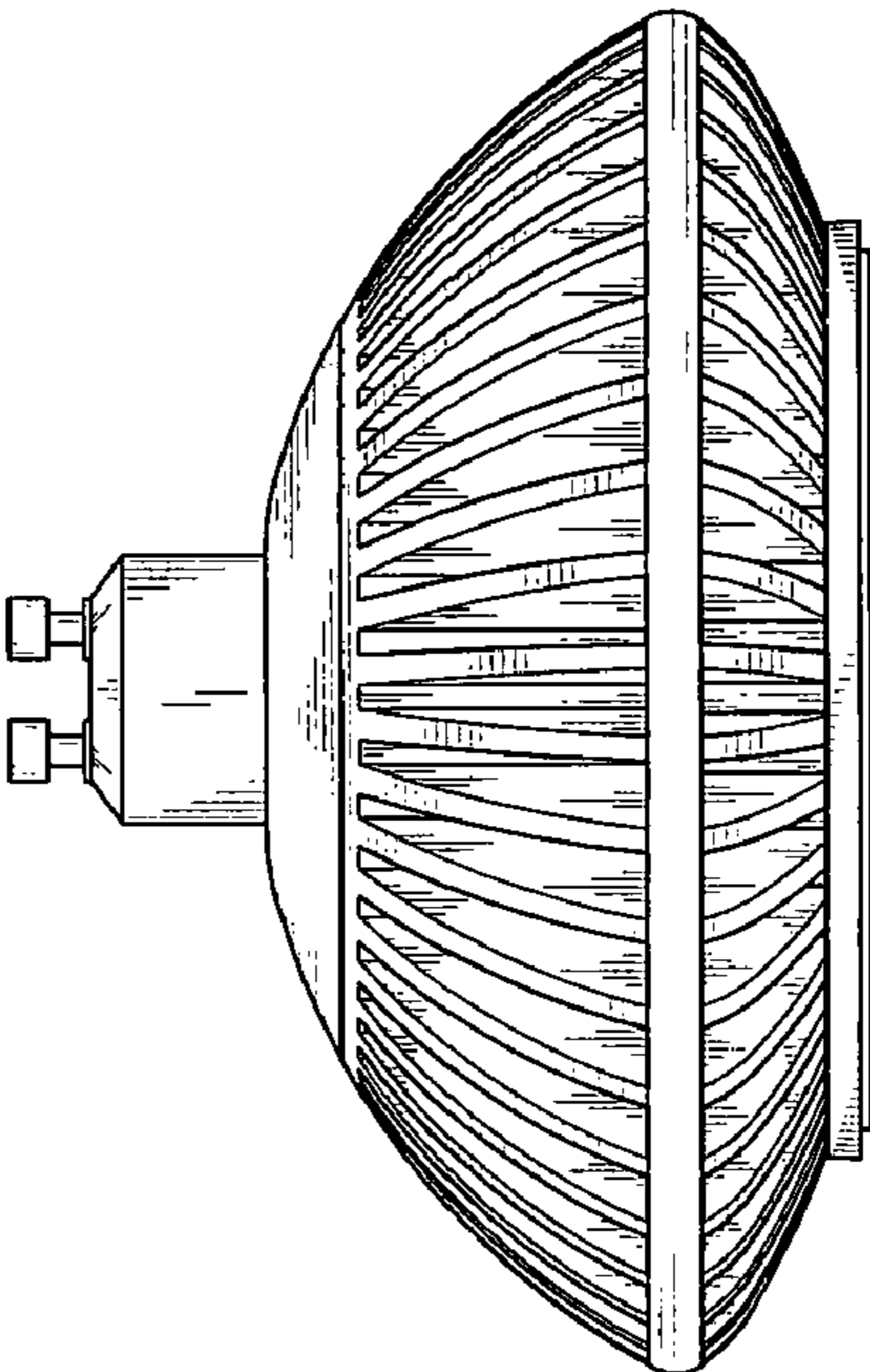


FIG. 5

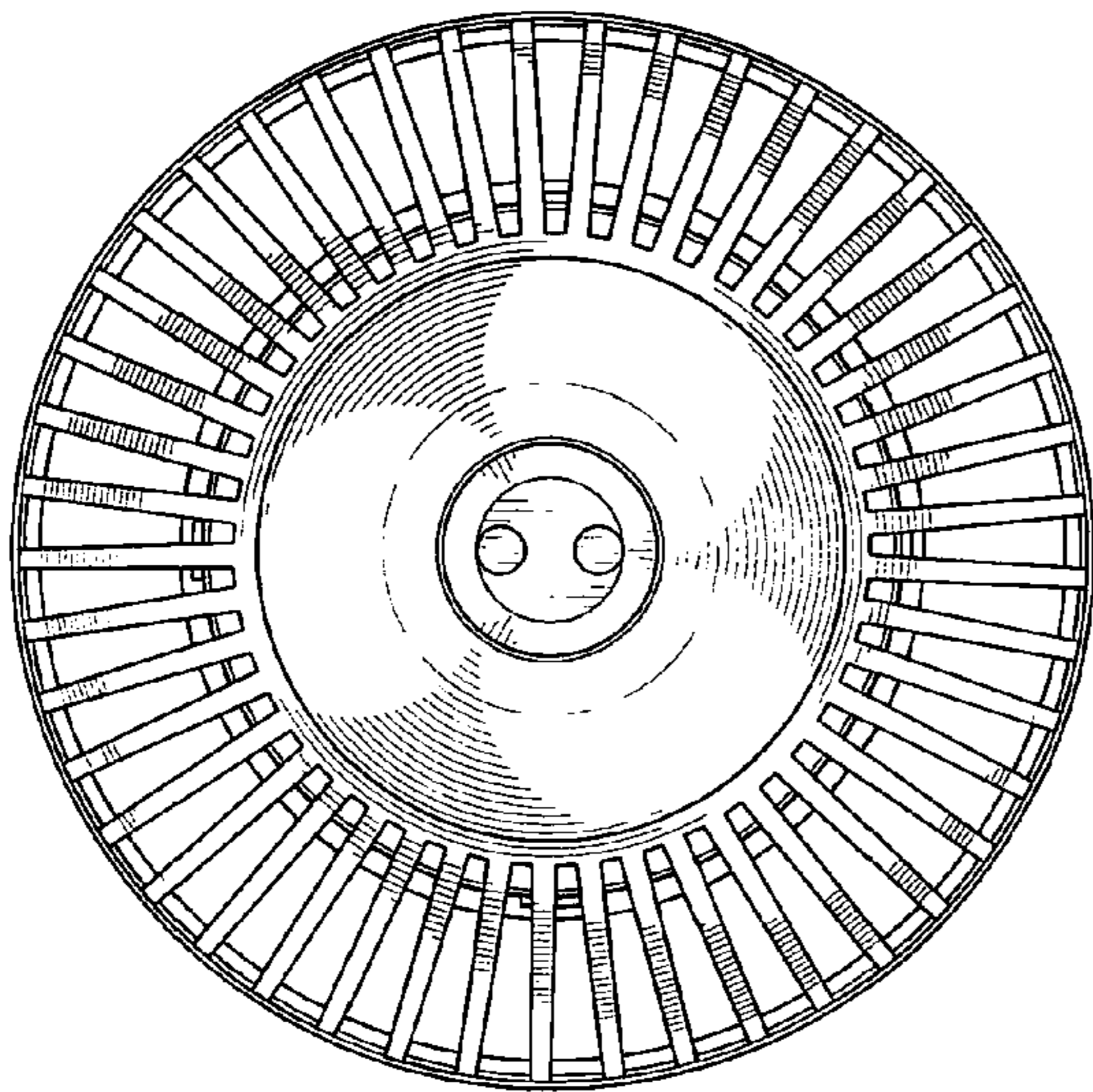


FIG. 6

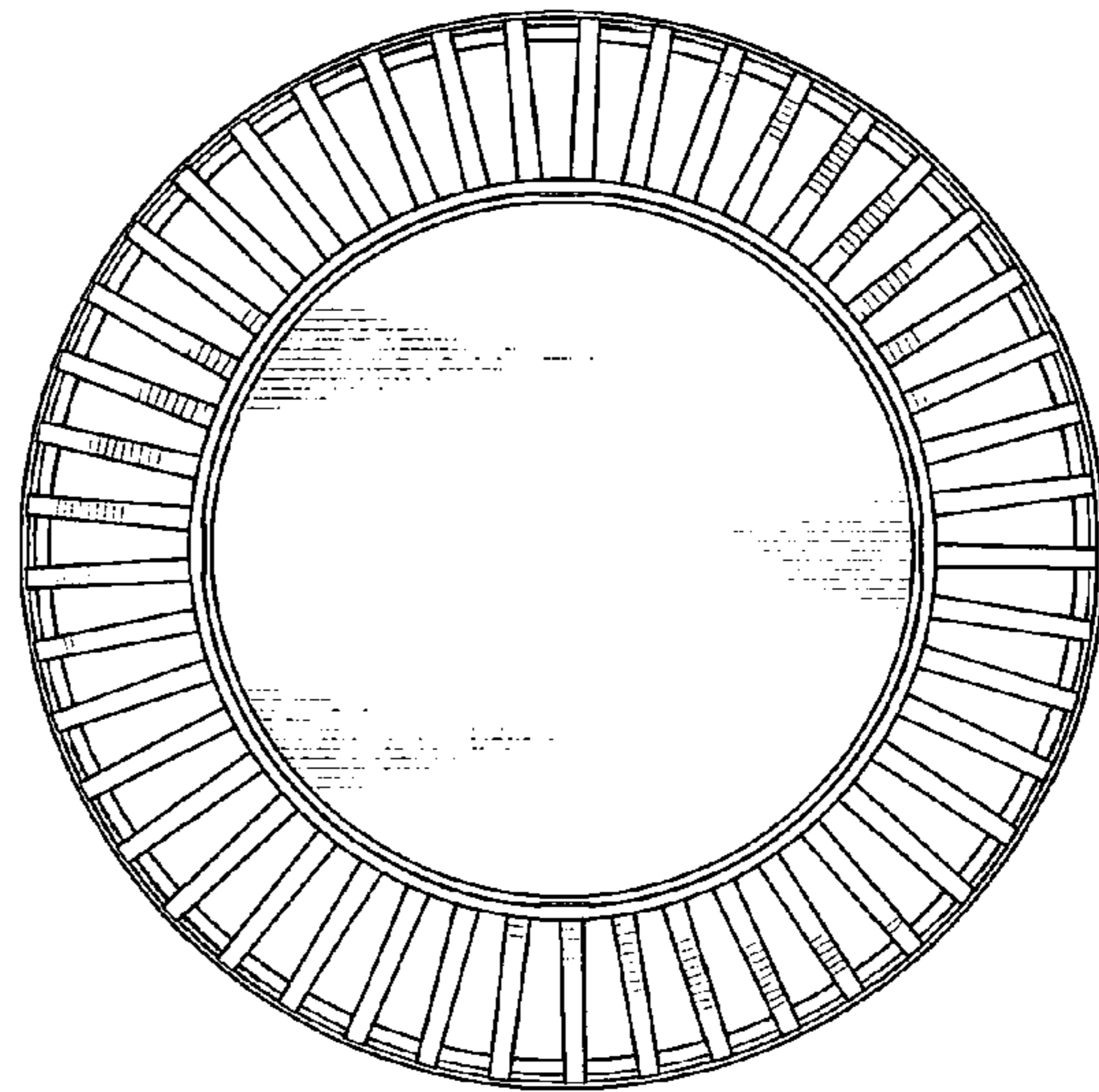


FIG. 7