



US00D596764S

(12) **United States Design Patent**
Yang et al.

(10) **Patent No.:** **US D596,764 S**

(45) **Date of Patent:** **** Jul. 21, 2009**

(54) **LAMP**

D560,286 S * 1/2008 Maxik et al. D26/2
D566,300 S * 4/2008 Lo D26/2
D570,504 S * 6/2008 Maxik et al. D26/2

(75) Inventors: **He-Shun Yang**, Hsinchu County (TW);
Meng-Chai Wu, Hsinchu County (TW)

* cited by examiner

(73) Assignee: **LightHouse Technology Co., Ltd**,
Hsinchu County (TW)

Primary Examiner—Marcus A. Jackson
(74) *Attorney, Agent, or Firm*—Jianq Chyun IP Office

(**) Term: **14 Years**

(57) **CLAIM**

(21) Appl. No.: **29/331,068**

The ornamental design for a lamp, as shown and described.

(22) Filed: **Jan. 20, 2009**

DESCRIPTION

(30) **Foreign Application Priority Data**

Sep. 25, 2008 (TW) 97305532

FIG. 1 is a perspective view of a lamp showing our new design.

(51) **LOC (9) Cl.** **26-04**

FIG. 2 is a front view thereof.

(52) **U.S. Cl.** **D26/2**

FIG. 3 is a rear view thereof.

(58) **Field of Classification Search** D26/1-4;
313/313, 315, 317, 318, 493; 315/52, 53,
315/56, 57, 58

FIG. 4 is a left side view thereof.

FIG. 5 is a right side view thereof.

See application file for complete search history.

FIG. 6 is a top view thereof.

FIG. 7 is a bottom view thereof; and,

FIG. 8 is a cross-sectional view taken along line 8—8 in FIG. 6 with the internal parts omitted.

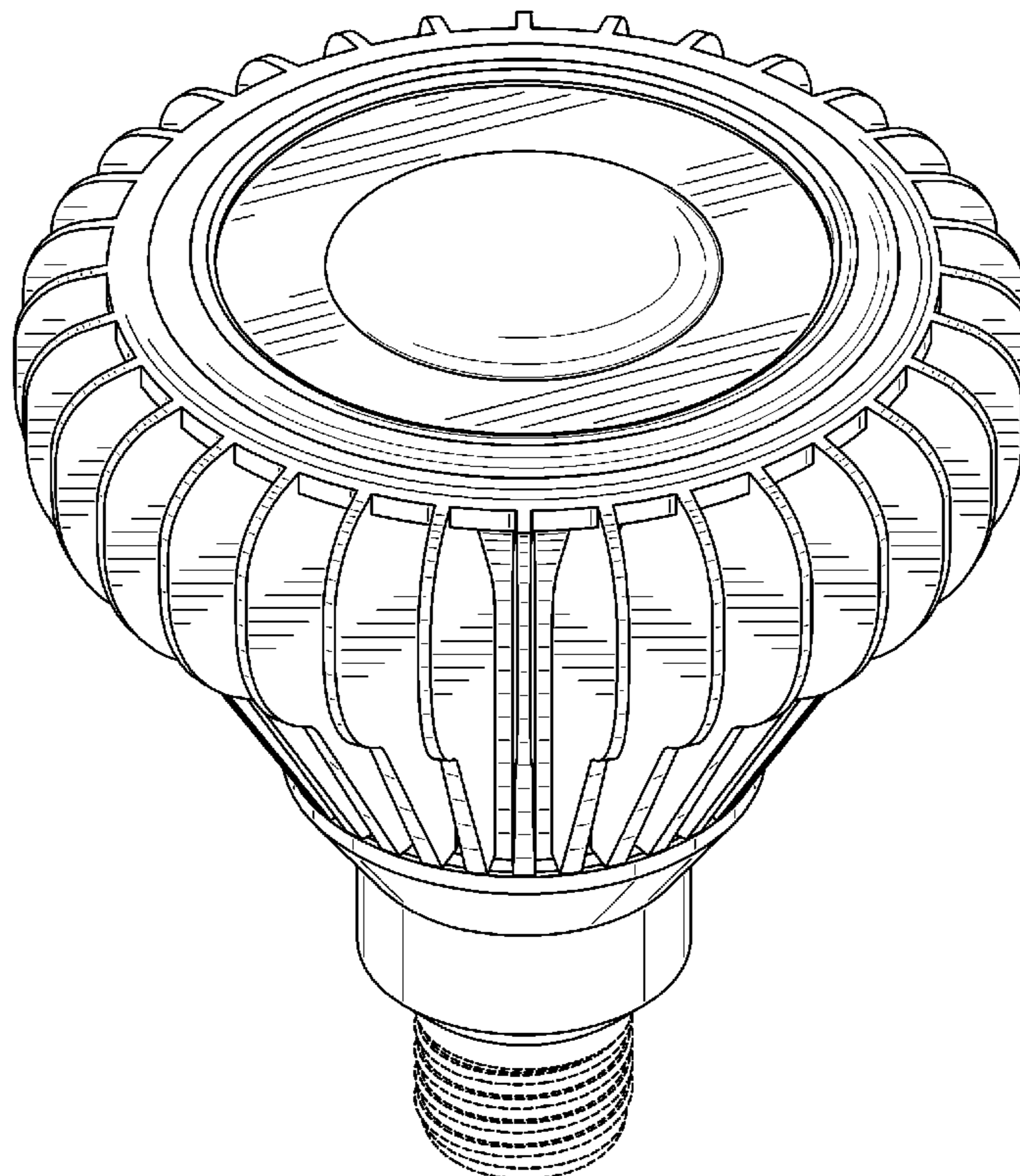
(56) **References Cited**

U.S. PATENT DOCUMENTS

D516,229 S * 2/2006 Tang D26/2
D527,119 S * 8/2006 Maxik et al. D26/2
D528,227 S * 9/2006 Chou et al. D26/2

The broken line showing of the base is for illustrative purposes only and forms no part of the claimed design.

1 Claim, 8 Drawing Sheets



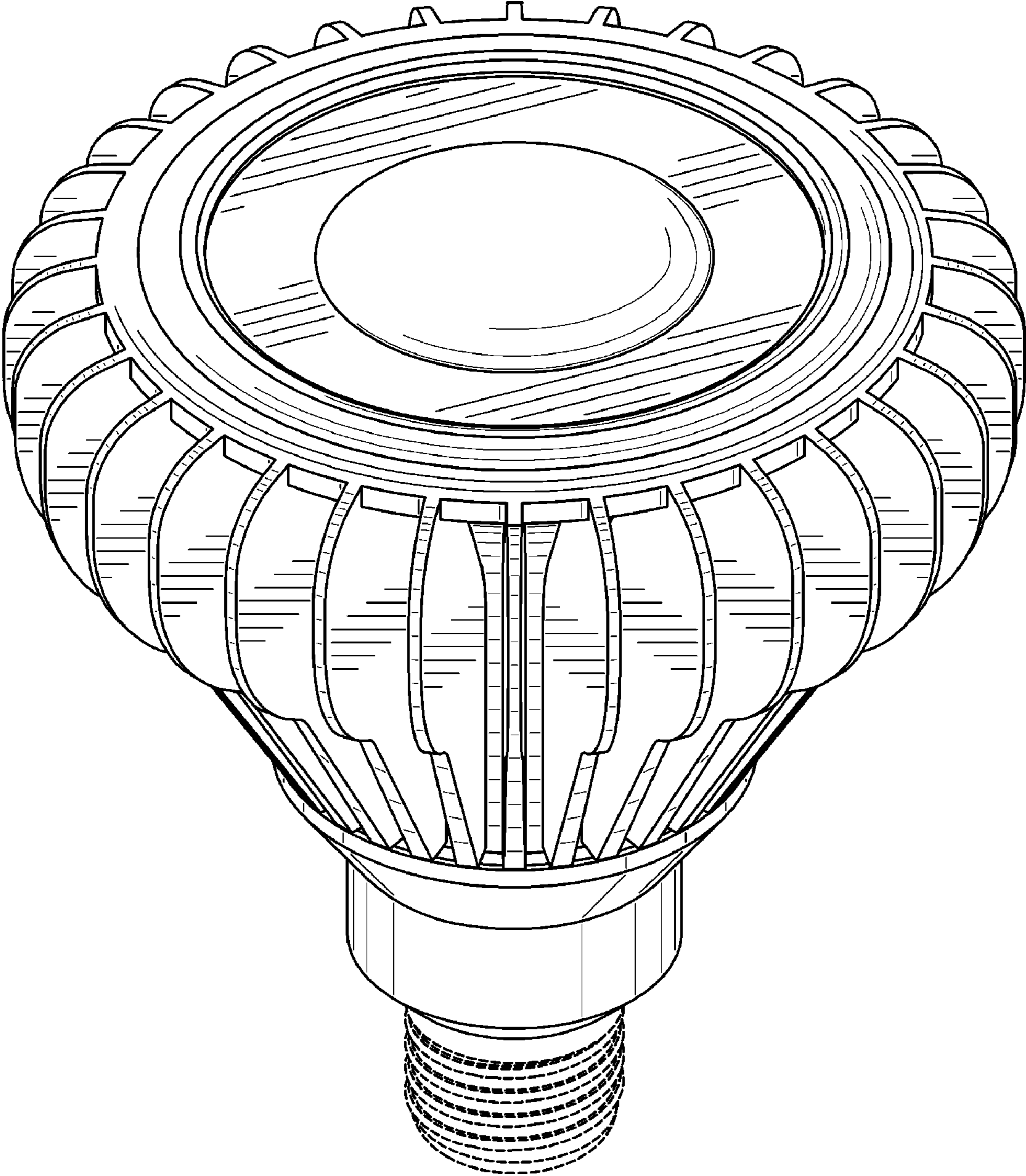


FIG. 1

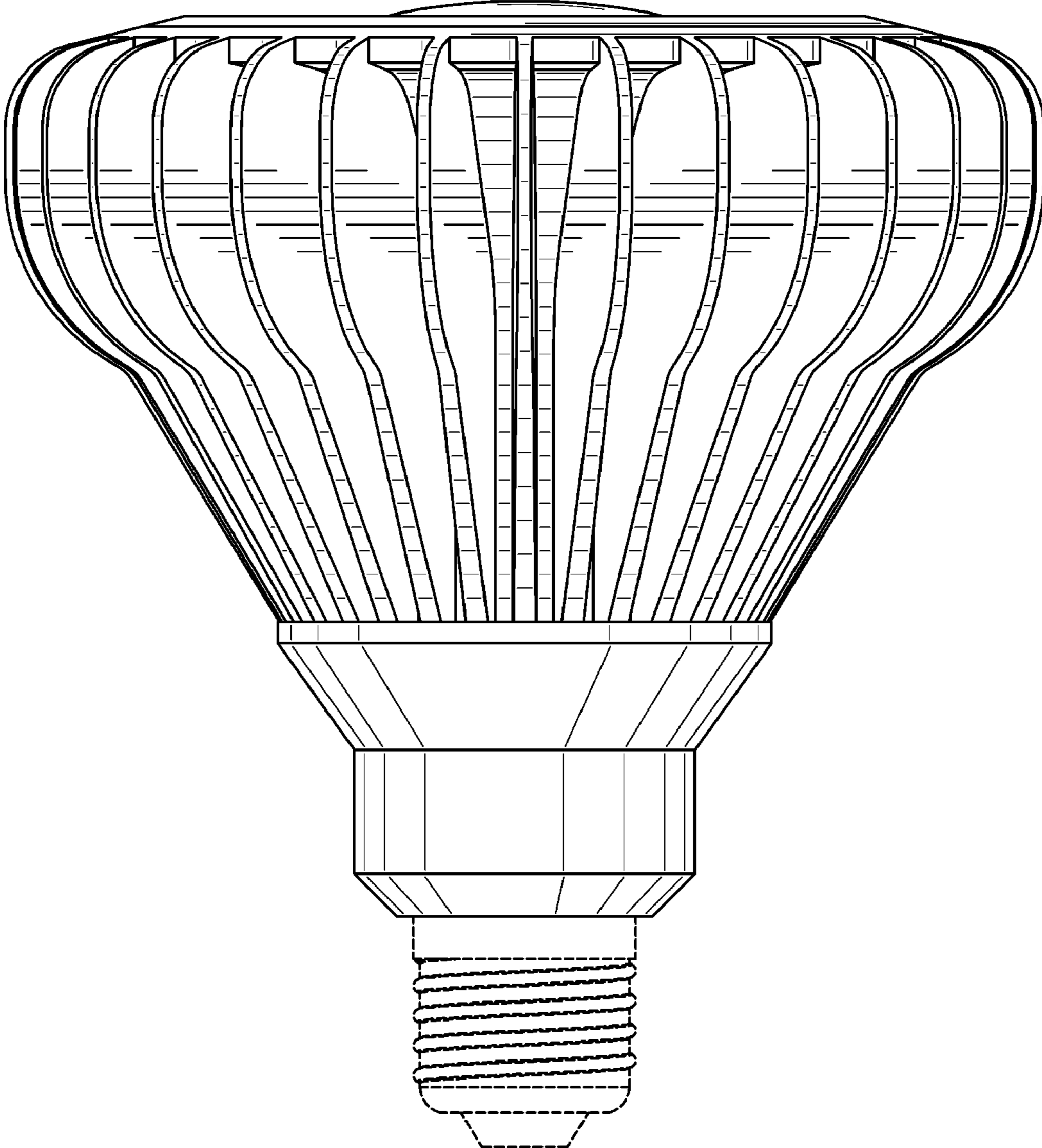


FIG. 2

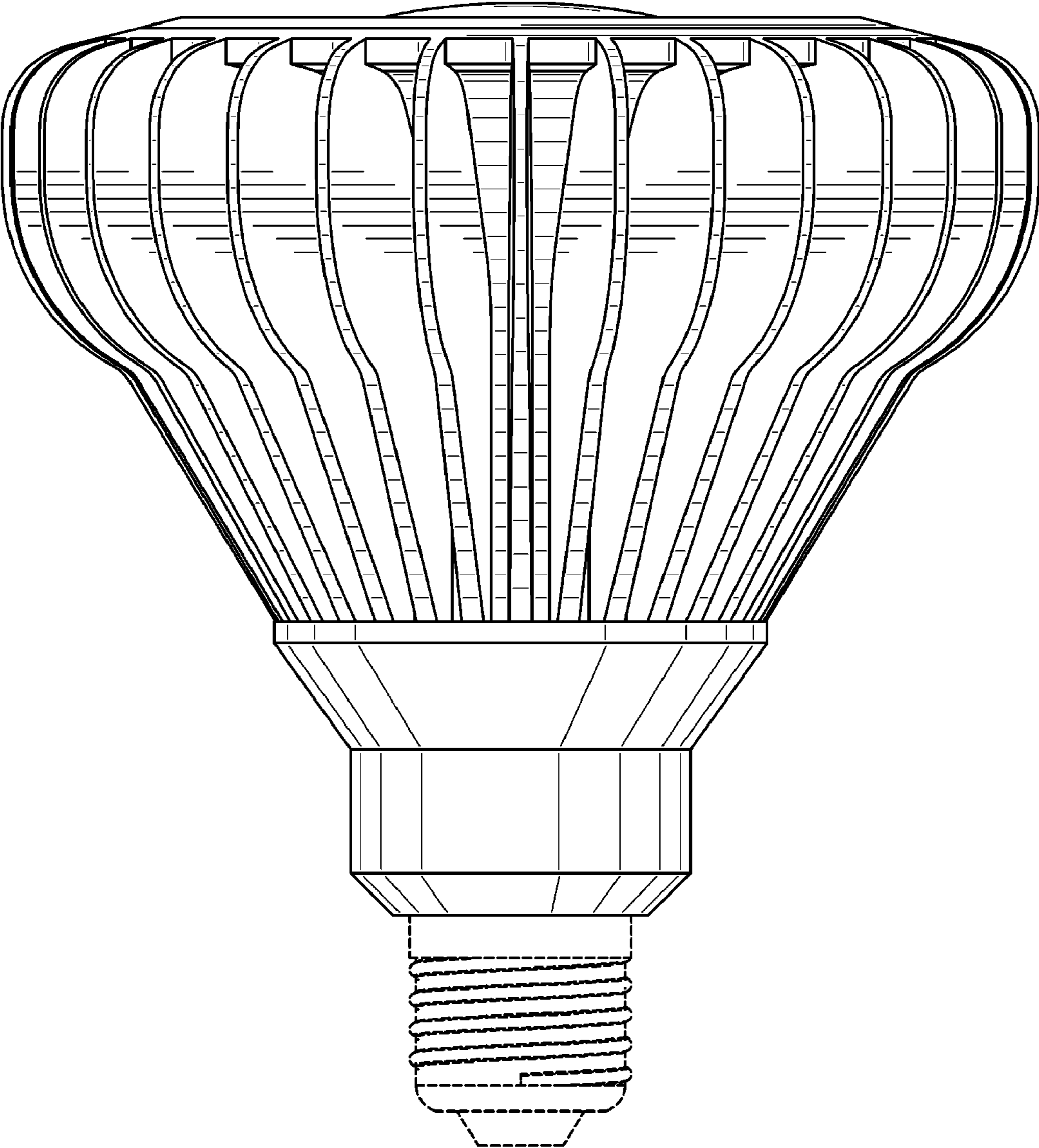


FIG. 3

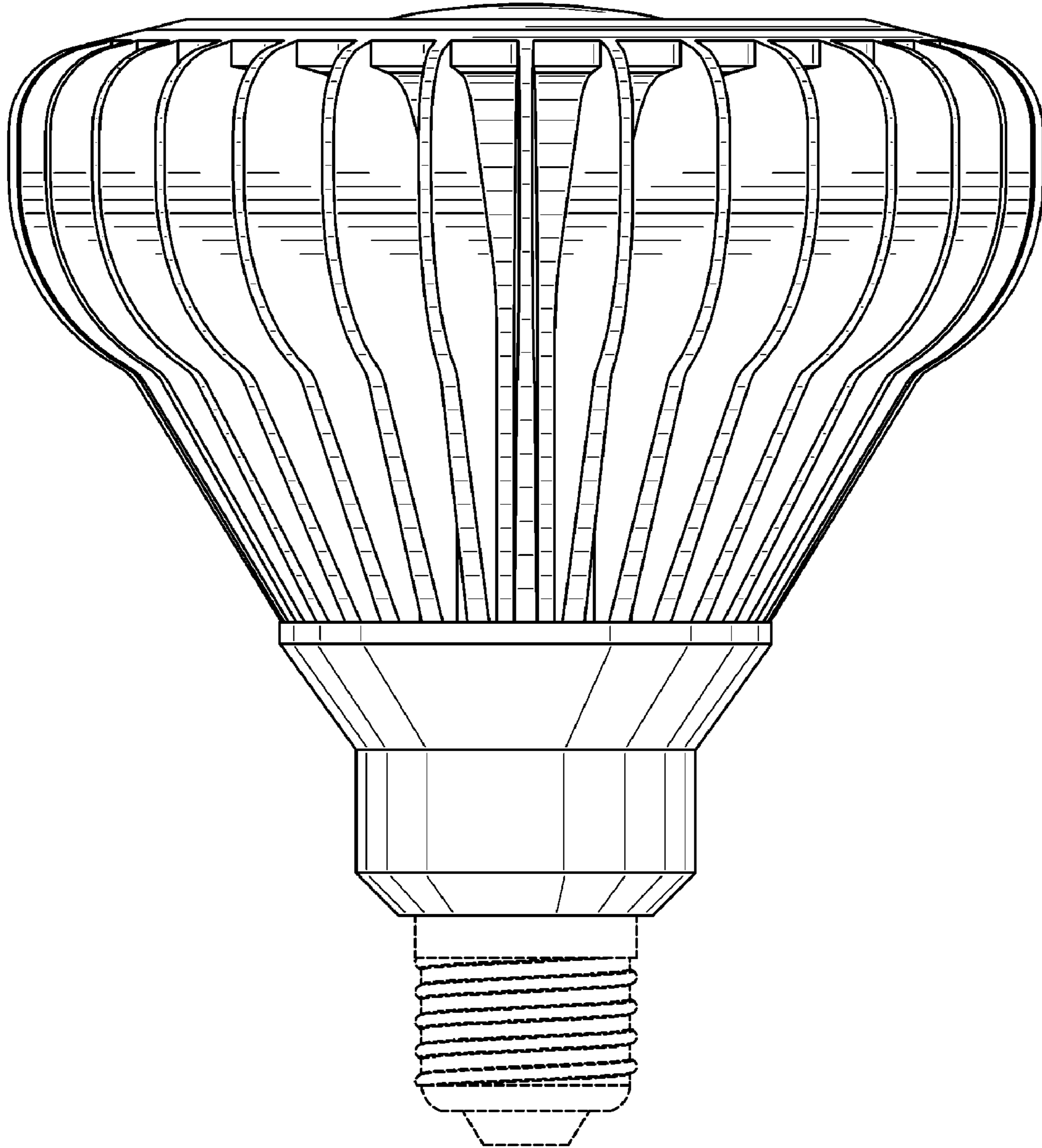


FIG. 4

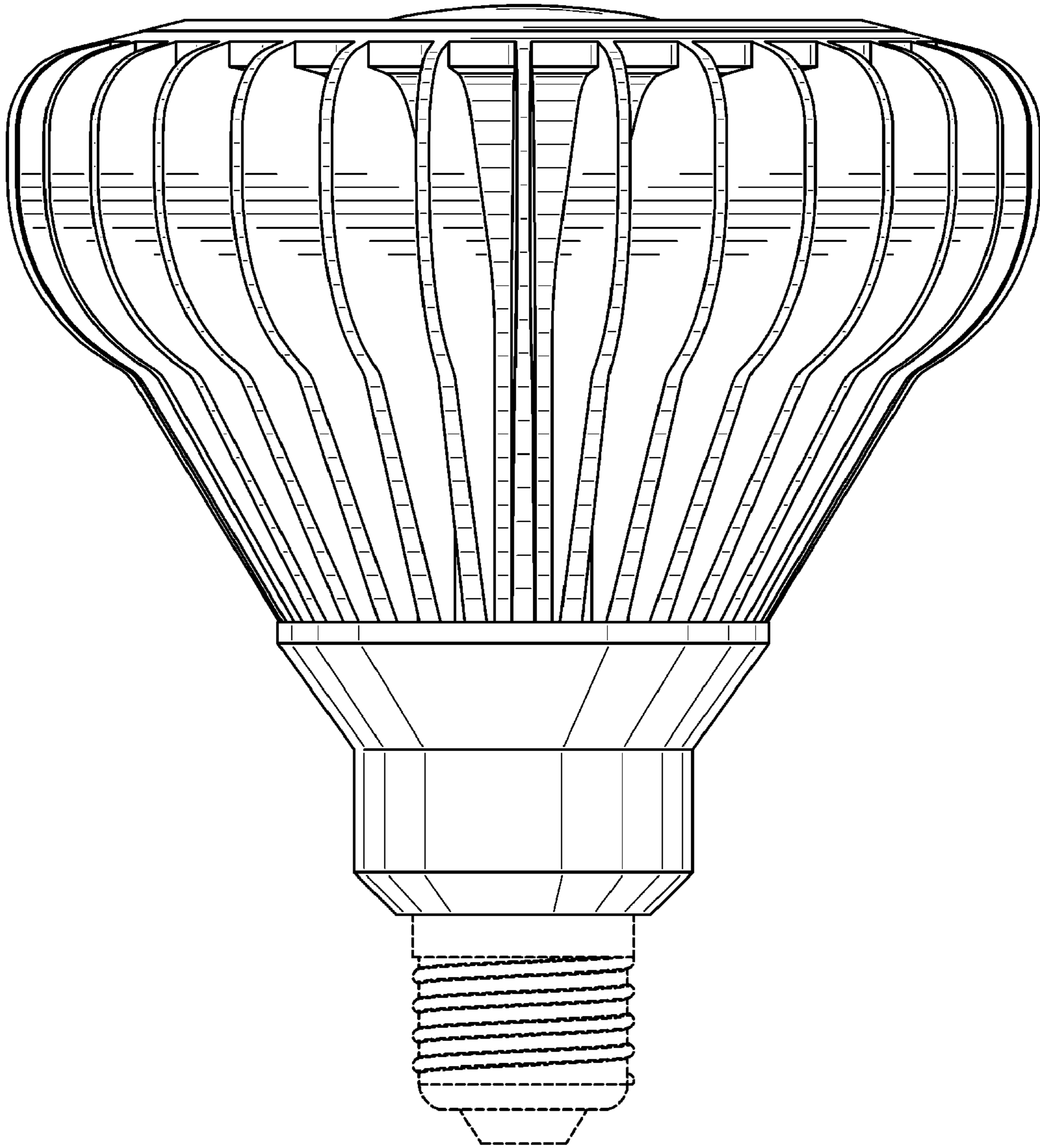


FIG. 5

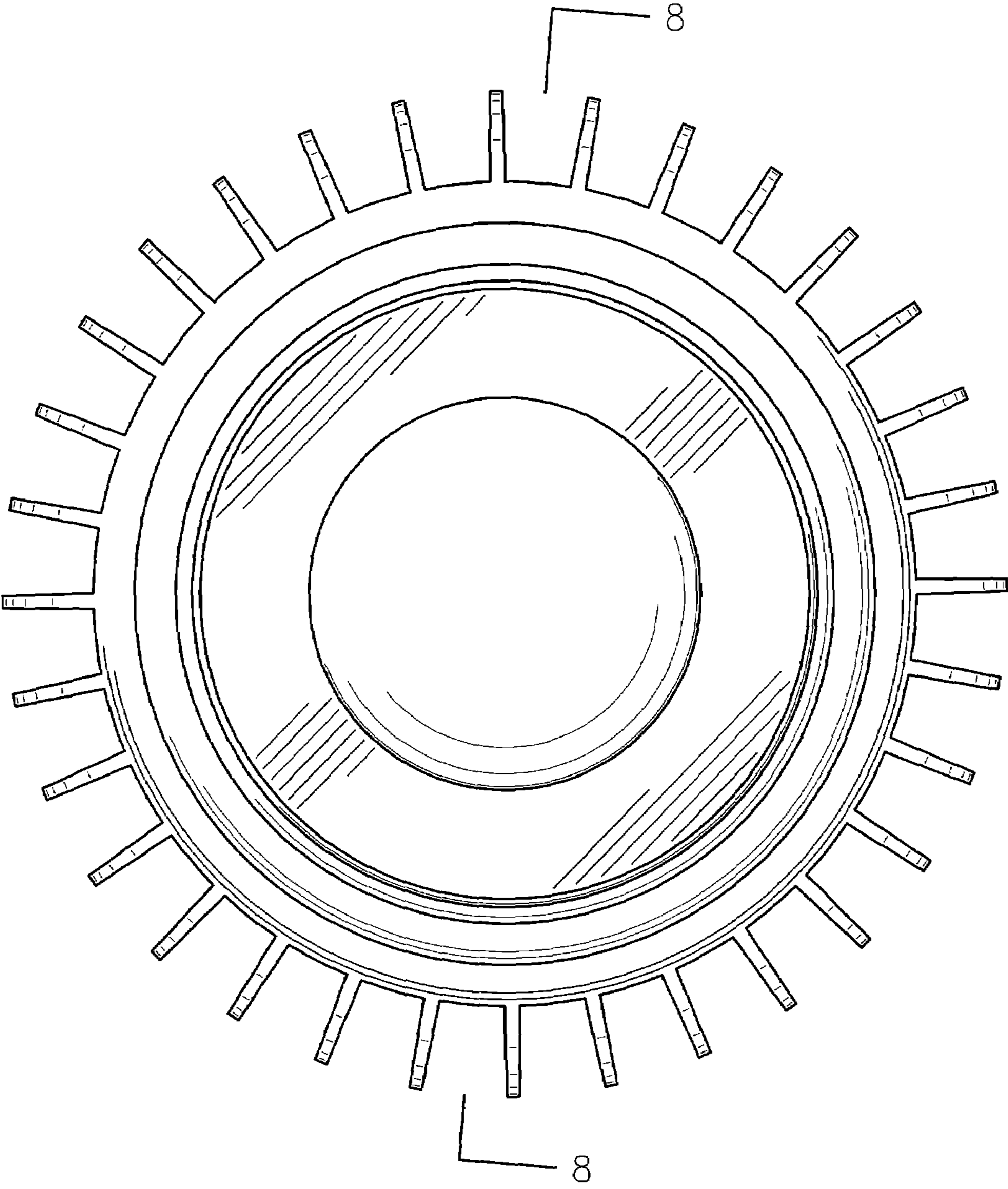


FIG. 6

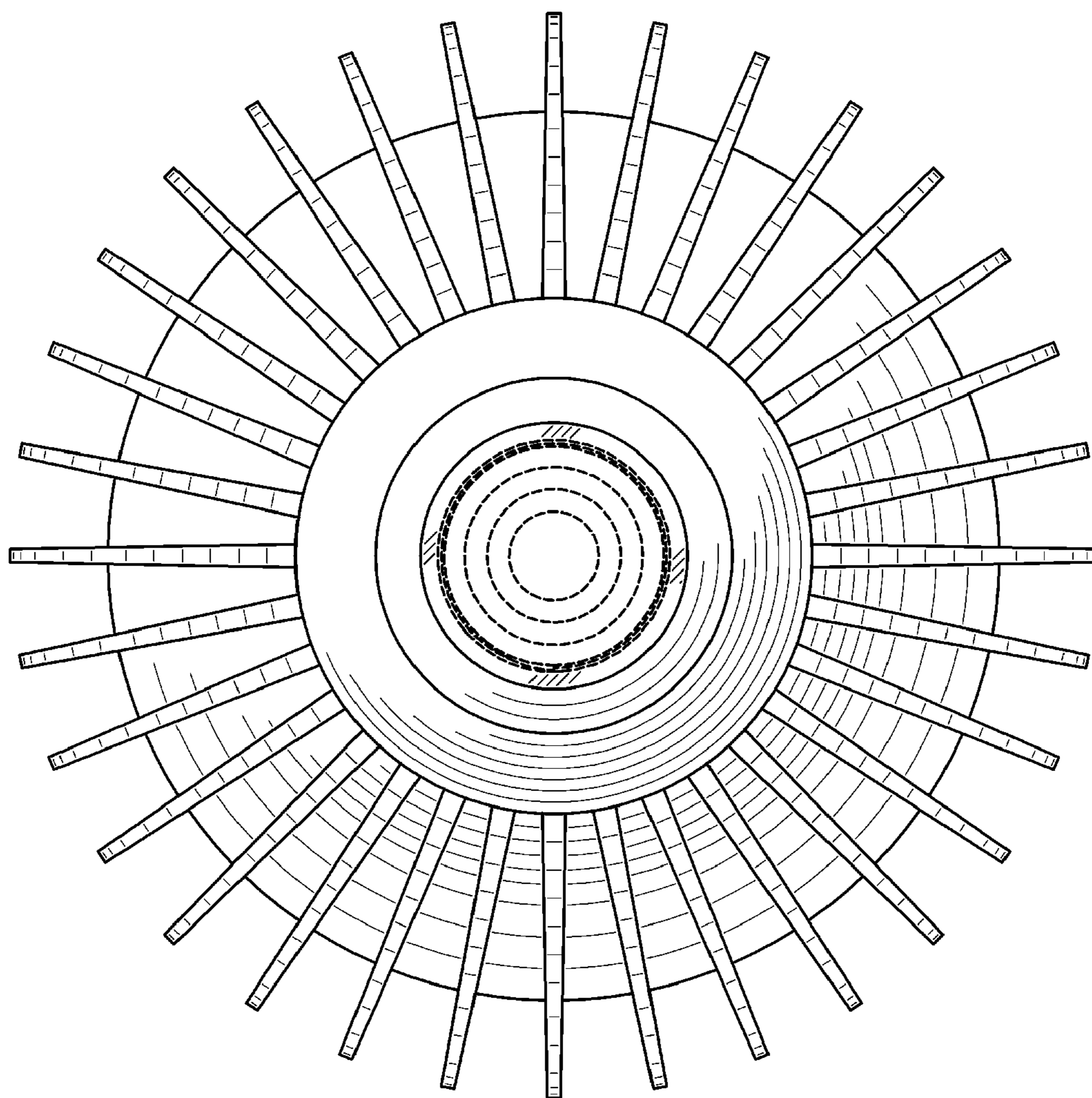


FIG. 7

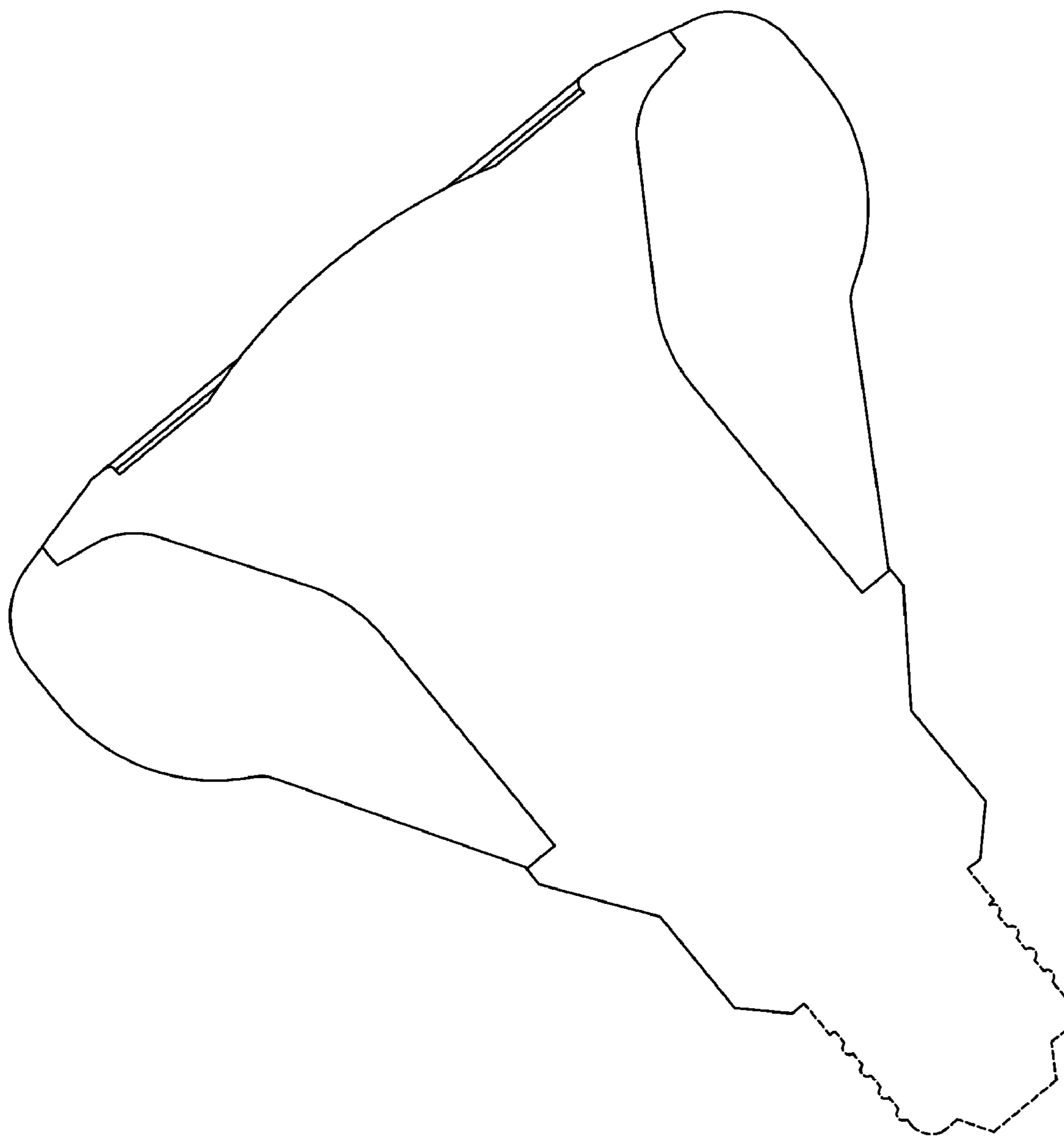


FIG. 8