



US00D596762S

(12) **United States Design Patent**
Ruegsegger

(10) **Patent No.:** **US D596,762 S**

(45) **Date of Patent:** **** Jul. 21, 2009**

(54) **DIAMOND PATTERN CONCRETE MASONRY UNIT**

D513,805 S 1/2006 Scherer et al.

* cited by examiner

(75) Inventor: **Jack Ruegsegger**, Glendale, AZ (US)

Primary Examiner—T. Chase Nelson

(73) Assignee: **APG West, Inc.**, Phoenix, AZ (US)

Assistant Examiner—Anhdao Doan

(**) Term: **14 Years**

(74) *Attorney, Agent, or Firm*—Gallagher & Kennedy, P.A.;
Donna H. Catalfo

(21) Appl. No.: **29/292,510**

(57) **CLAIM**

(22) Filed: **Oct. 11, 2007**

The ornamental design for a diamond pattern concrete masonry unit, as shown and described.

(51) **LOC (9) Cl.** **25-01**

(52) **U.S. Cl.** **D25/113**

(58) **Field of Classification Search** D25/102,
D25/112–118, 158; 405/16, 284, 286; 52/102,
52/574, 596–612; D21/484–486, 490, 491,
D21/493

DESCRIPTION

See application file for complete search history.

FIG. 1 is a perspective view of a diamond pattern concrete masonry unit showing my new design.

FIG. 2 is a front view of the diamond pattern concrete masonry unit of FIG. 1;

(56) **References Cited**

U.S. PATENT DOCUMENTS

D62,880 S *	8/1923	Castellani	D25/113
D175,392 S *	8/1955	Clanton	D25/114
D200,644 S *	3/1965	Frese	D25/118
D245,340 S *	8/1977	Johnson	D25/118
D340,775 S *	10/1993	Sauve	D25/118
D368,313 S *	3/1996	Schulz, Jr.	D25/118
D381,086 S	7/1997	Forsberg		
D430,680 S	9/2000	Blomquist et al.		
D477,091 S	7/2003	Manthei		
D477,419 S	7/2003	Manthei		
D479,002 S	8/2003	Nordstrand		
D479,003 S	8/2003	Nordstrand		
D491,676 S *	6/2004	Gendron et al.	D25/118
D492,796 S	7/2004	Price		
D500,864 S	1/2005	Klettenberg et al.		
D509,911 S *	9/2005	Shillingburg	D25/113

FIG. 3 is a side view of the diamond pattern concrete masonry unit of FIG. 1 from the right side of the diamond pattern, the other side being identical to the side shown;

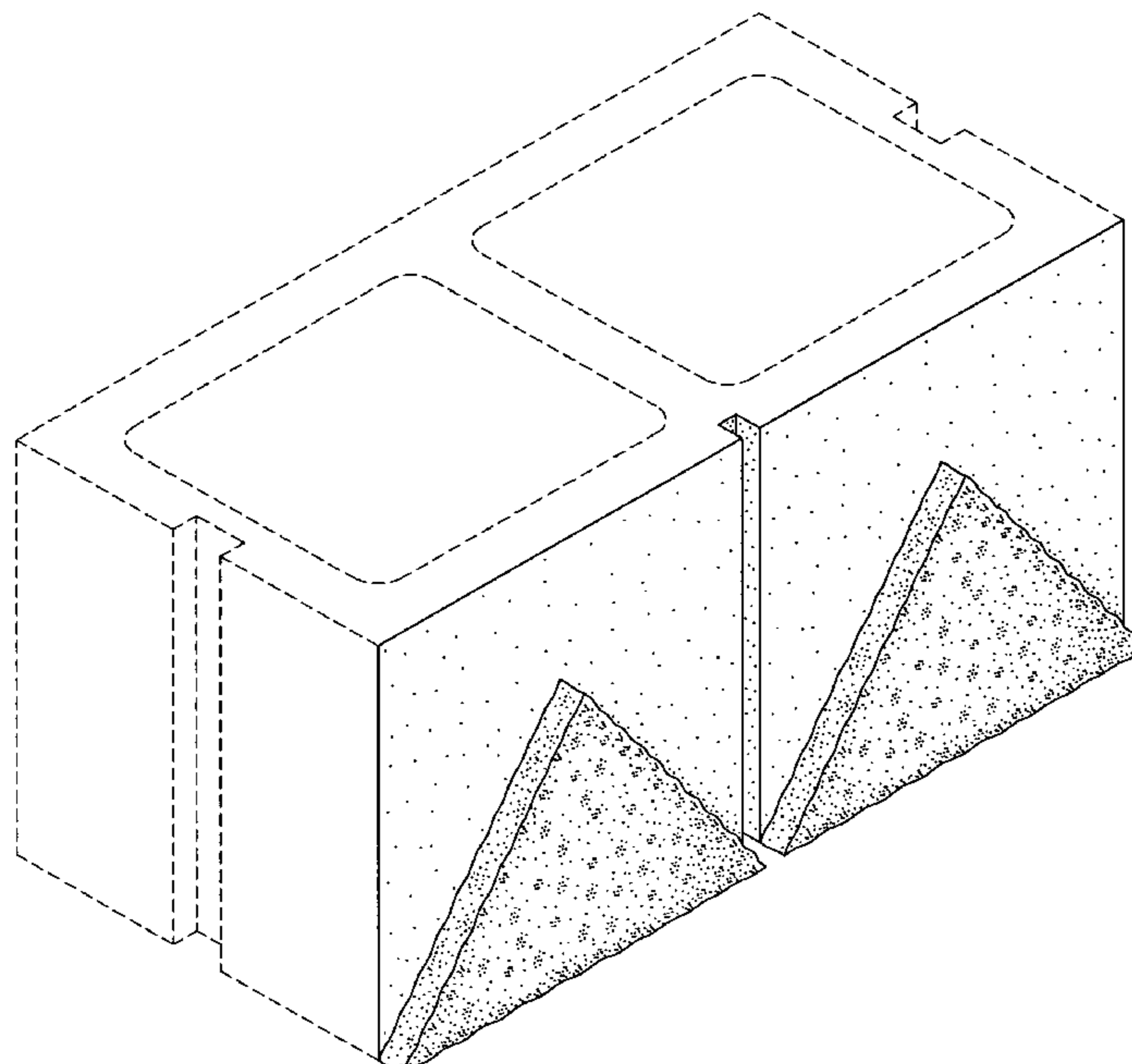
FIG. 4 is a top plan view of the diamond pattern concrete masonry unit of FIG. 1;

FIG. 5 is a bottom plan view of the diamond pattern concrete masonry unit of FIG. 1; and,

FIG. 6 is a front view of a single diamond pattern concrete masonry unit assembled with other diamond pattern concrete masonry units in a segment of a block wall so as to display a diamond pattern. The broken line showing of the other concrete masonry units is for environmental subject matter and forms no part of the claimed design.

Features shown in broken lines are shown for environment only and do not form a part of the design claimed.

1 Claim, 6 Drawing Sheets



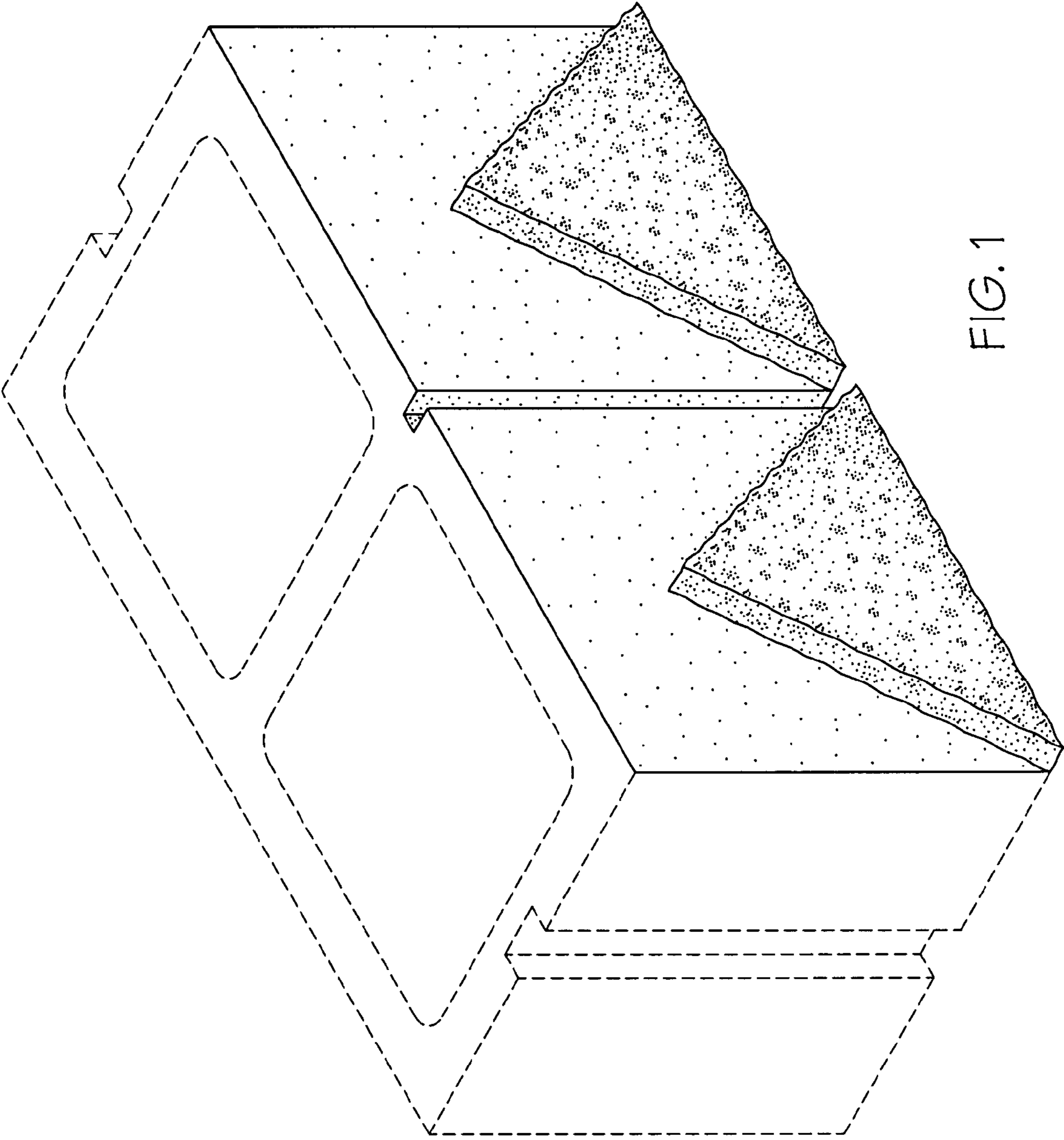


FIG. 1

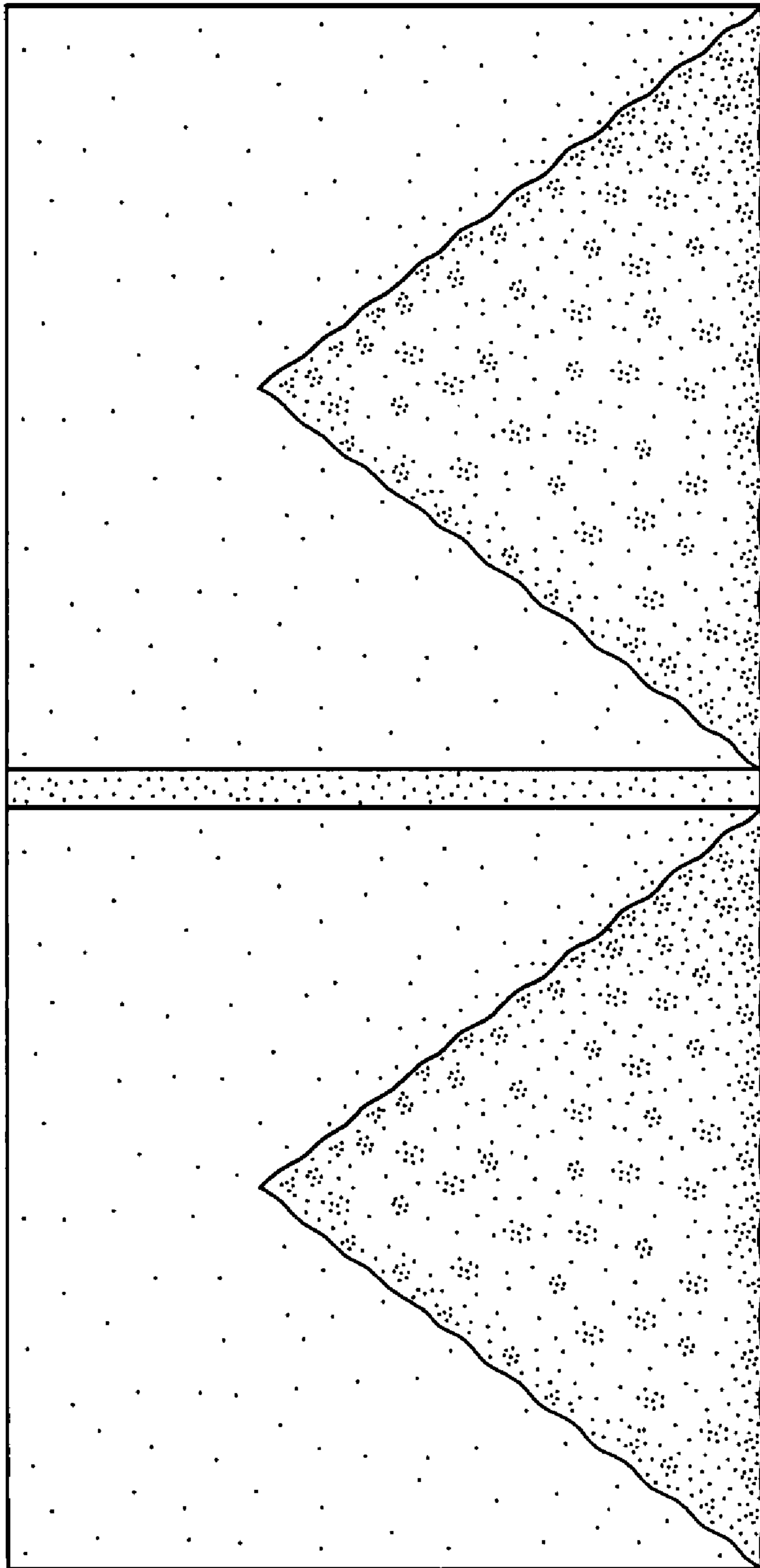


FIG. 2

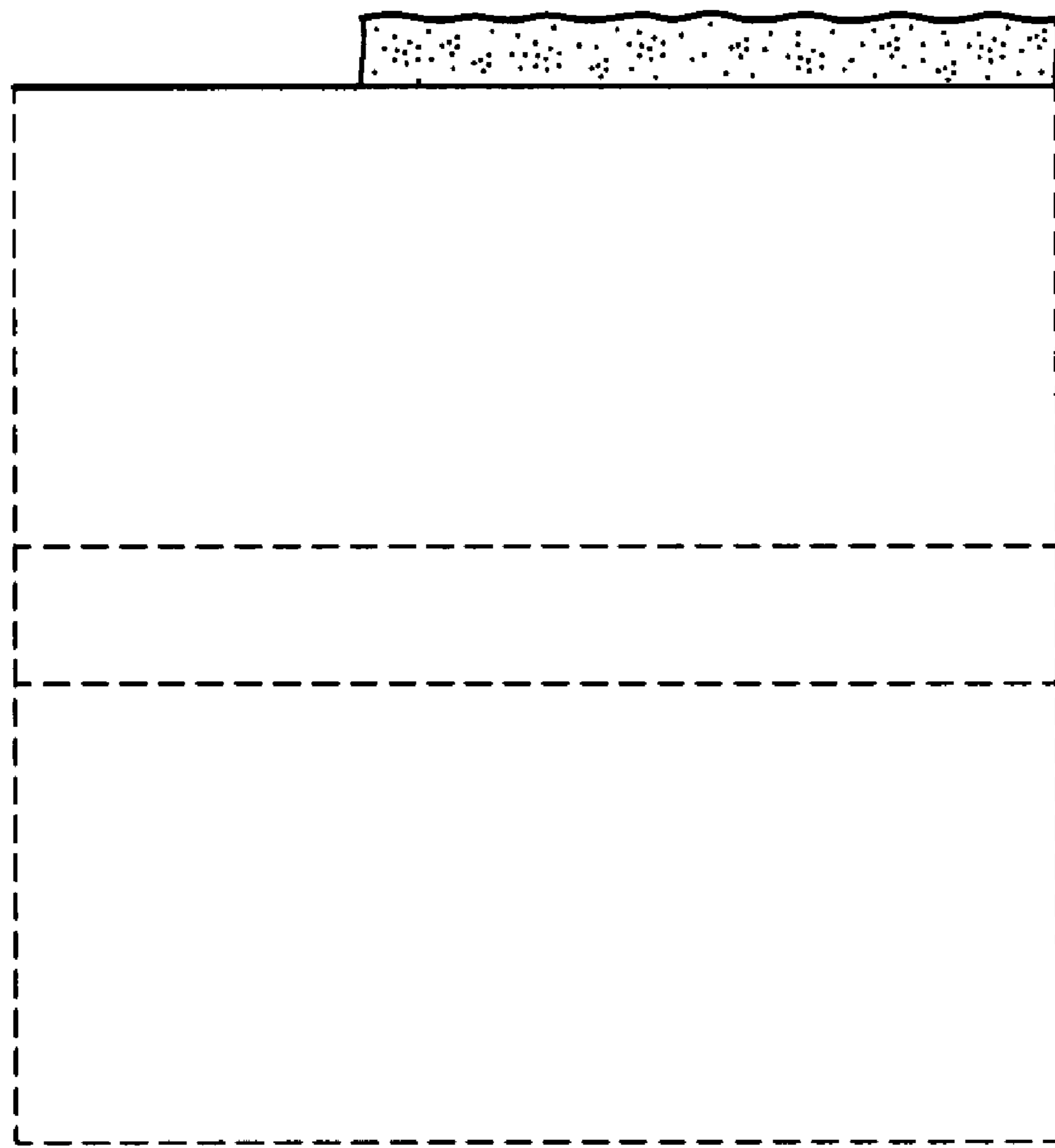


FIG. 3

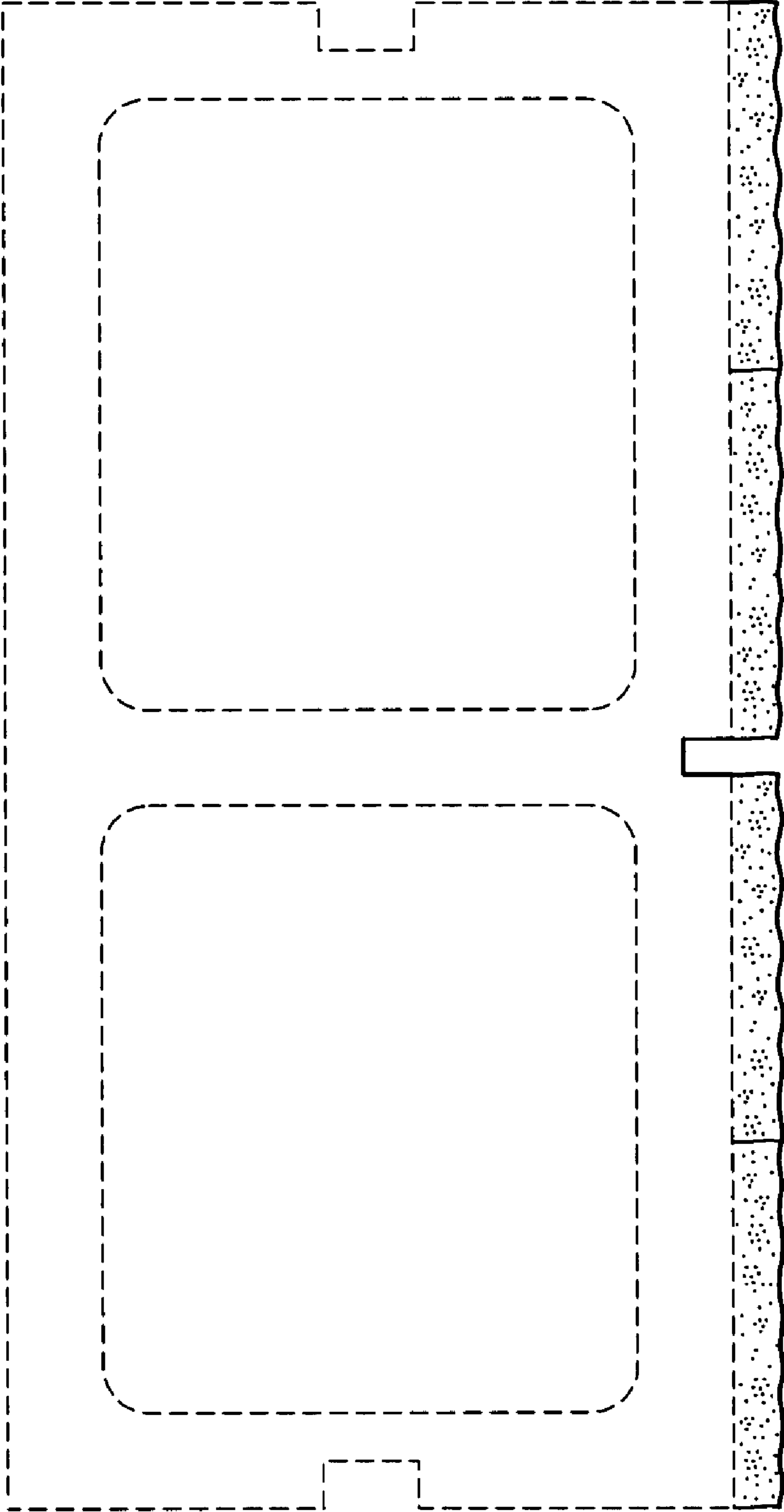


FIG. 4

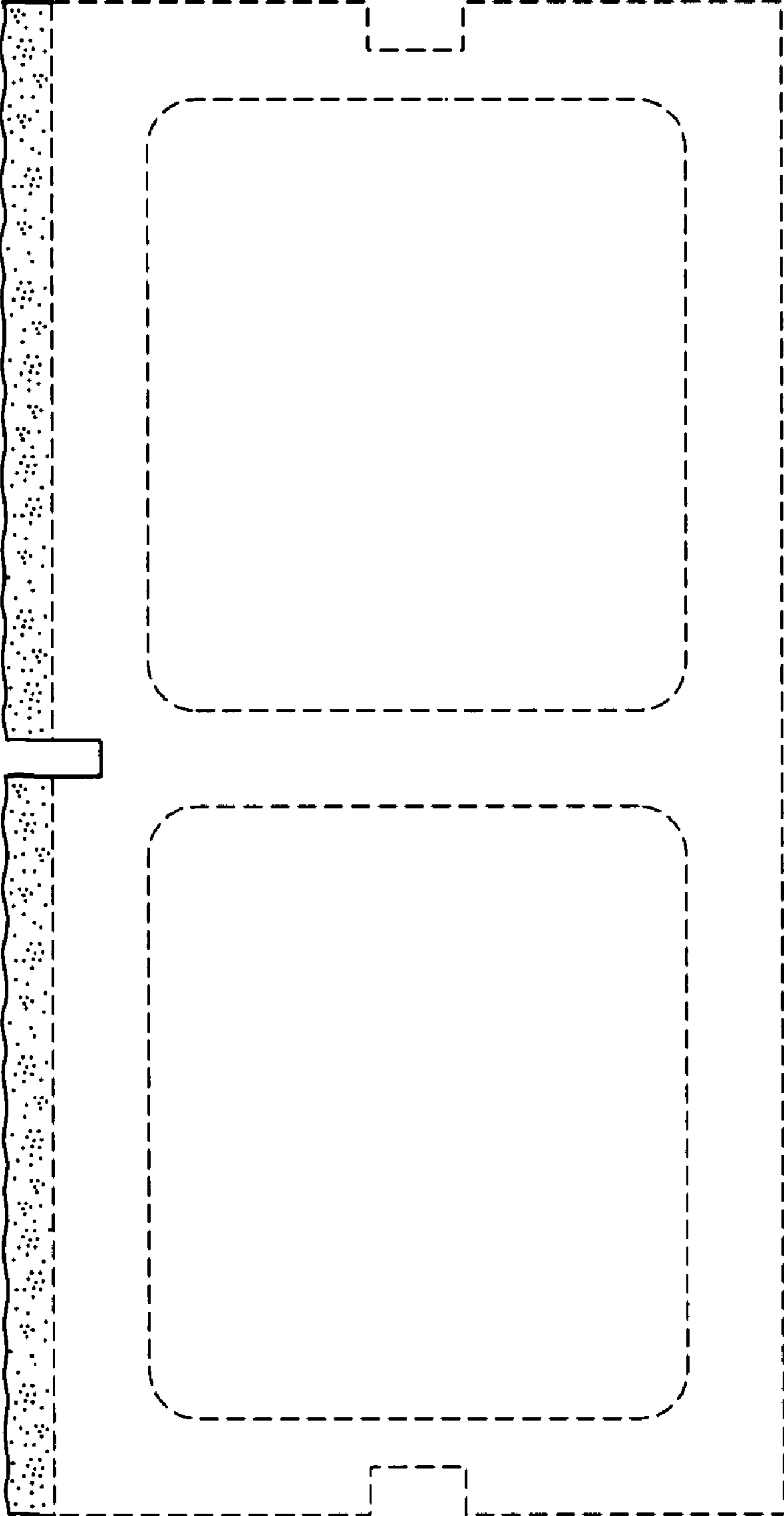


FIG. 5

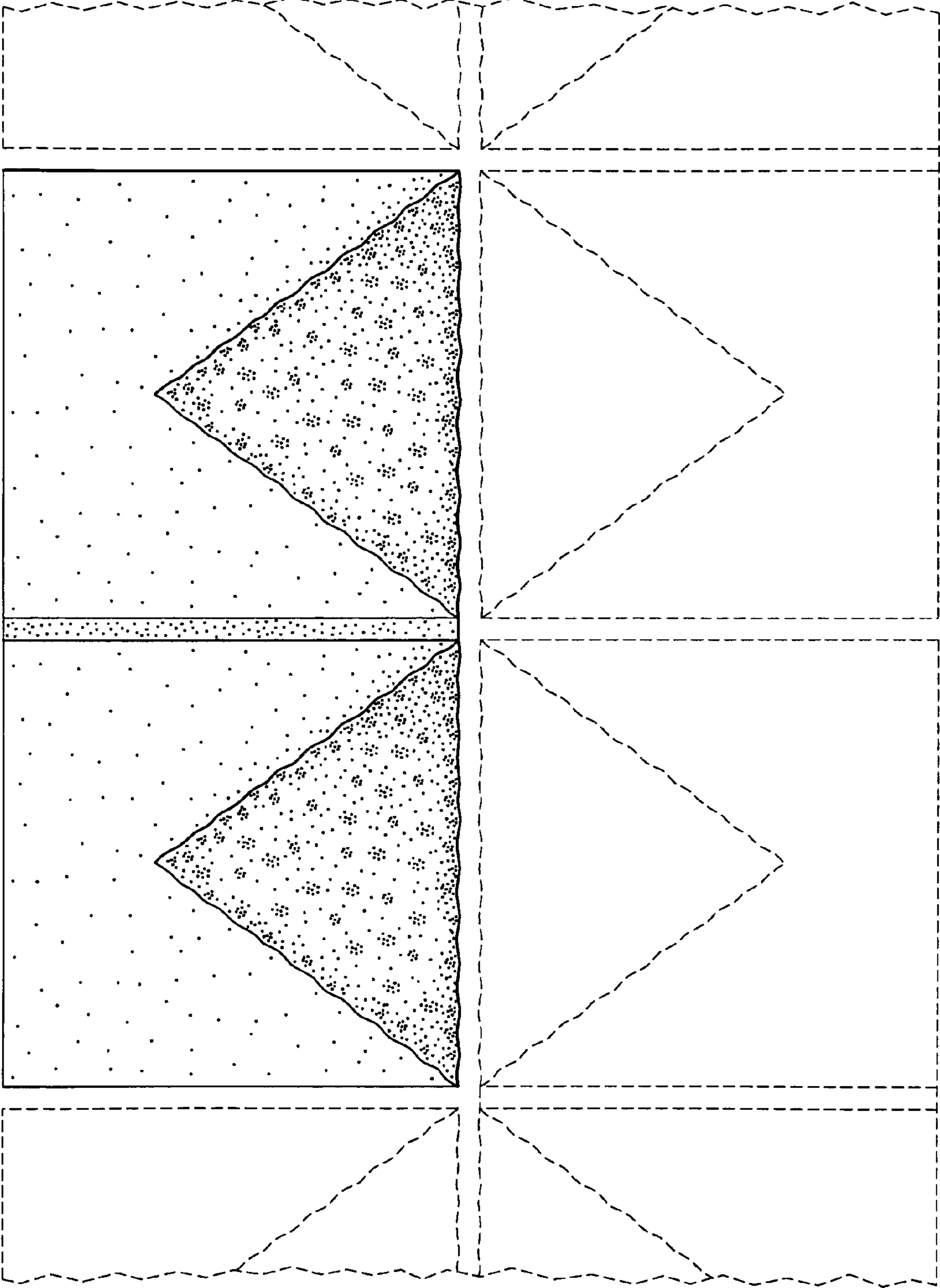


FIG. 6