



US00D596761S

(12) **United States Design Patent**
Beland

(10) **Patent No.:** **US D596,761 S**

(45) **Date of Patent:** **** Jul. 21, 2009**

(54) **TOE BOARD FOR SCAFFOLDING**

(75) Inventor: **Luc Beland**, Chicoutimi (CA)

(73) Assignee: **9020-4983 Quebec Inc.**, Jonquière (Quebec) (CA)

(**) Term: **14 Years**

(21) Appl. No.: **29/304,524**

(22) Filed: **Mar. 4, 2008**

(51) **LOC (9) Cl.** **25-04**

(52) **U.S. Cl.** **D25/68**

(58) **Field of Classification Search** 182/113,
182/112; 248/295.11, 228.1, 346.07; D25/68
See application file for complete search history.

(56) **References Cited**

U.S. PATENT DOCUMENTS

2,226,359	A *	12/1940	Spencer	248/235
3,752,262	A *	8/1973	Helms	182/113
3,785,602	A *	1/1974	Juculano	248/214
3,853,203	A *	12/1974	Werner et al.	182/113
D372,989	S *	8/1996	Gile et al.	D25/68

FOREIGN PATENT DOCUMENTS

CA 2498870 8/2005

* cited by examiner

Primary Examiner—Doris Clark

(74) *Attorney, Agent, or Firm*—Ogilvy Renault, LLP

(57) **CLAIM**

The ornamental design for a toe board for scaffolding, as shown and described.

DESCRIPTION

FIG. 1 is a perspective view of a toe board for scaffolding extending laterally at each end;

FIG. 2 is a right side elevation view thereof;

FIG. 3 is a left side elevation view thereof;

FIG. 4 is a top plan view thereof;

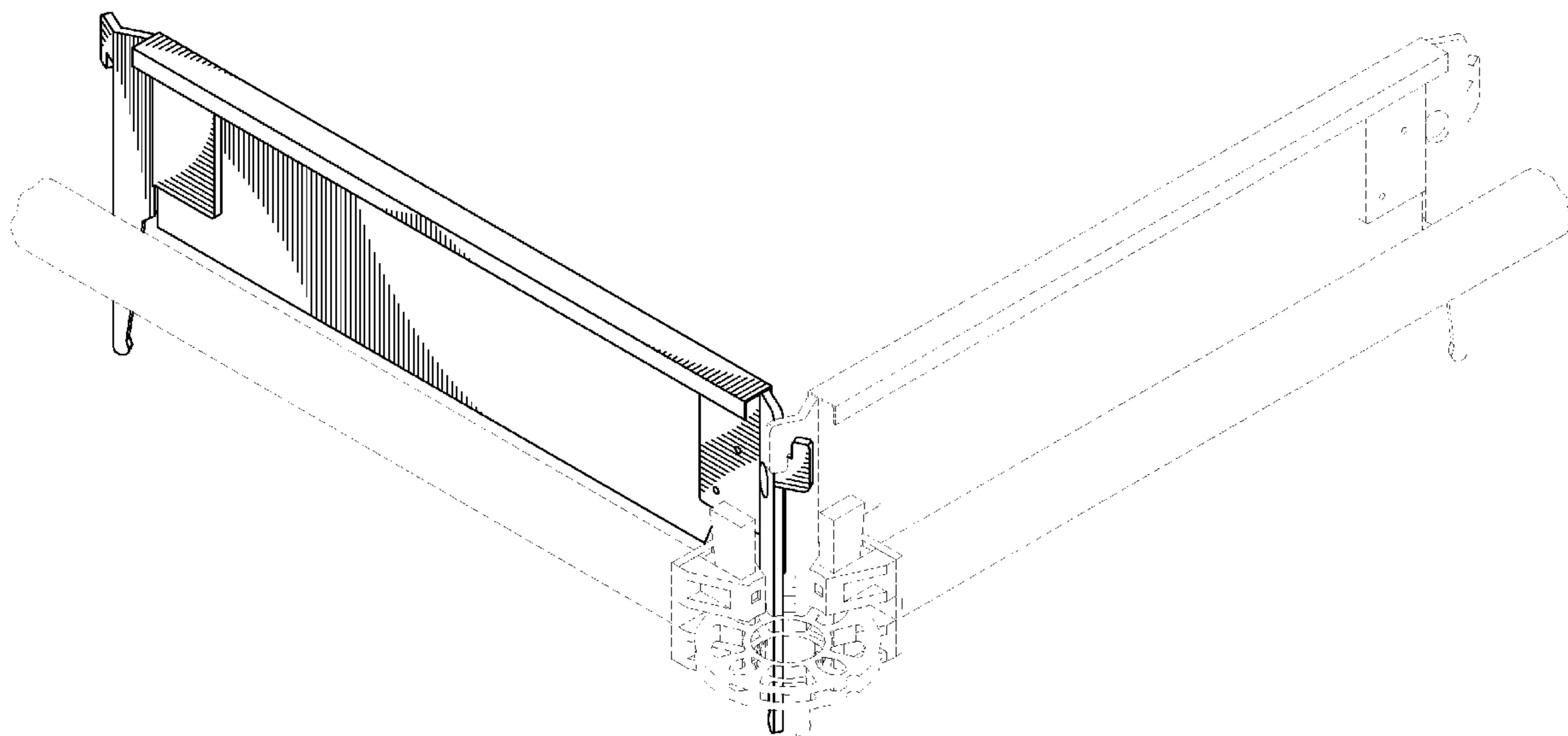
FIG. 5 is a front elevation view thereof;

FIG. 6 is a rear elevation view thereof;

FIG. 7 is a bottom plan view thereof; and,

FIG. 8 is a perspective view of a toe board for scaffolding engaged with another toe board mounted to a scaffolding structure.

1 Claim, 7 Drawing Sheets



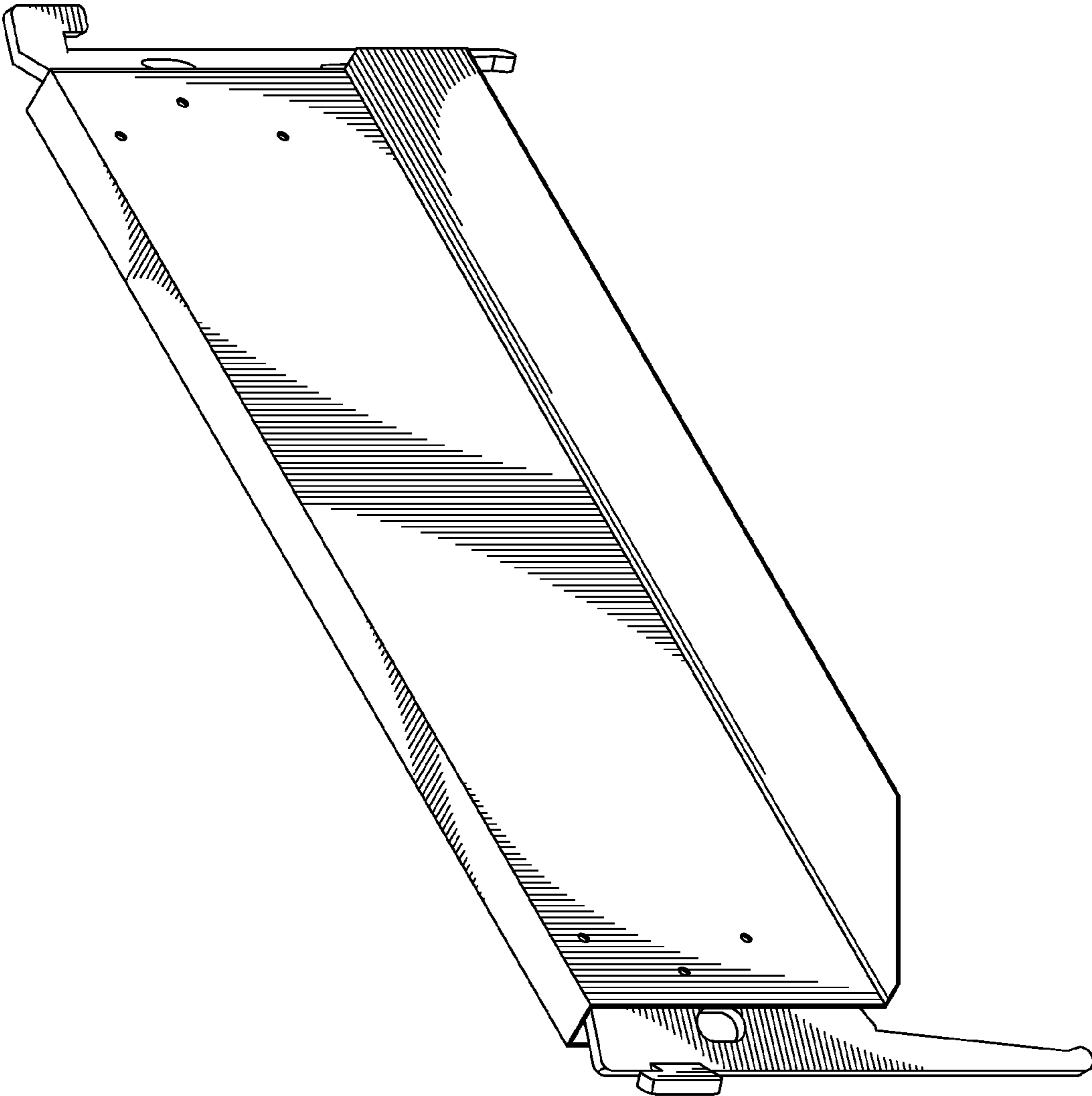


FIG. 1

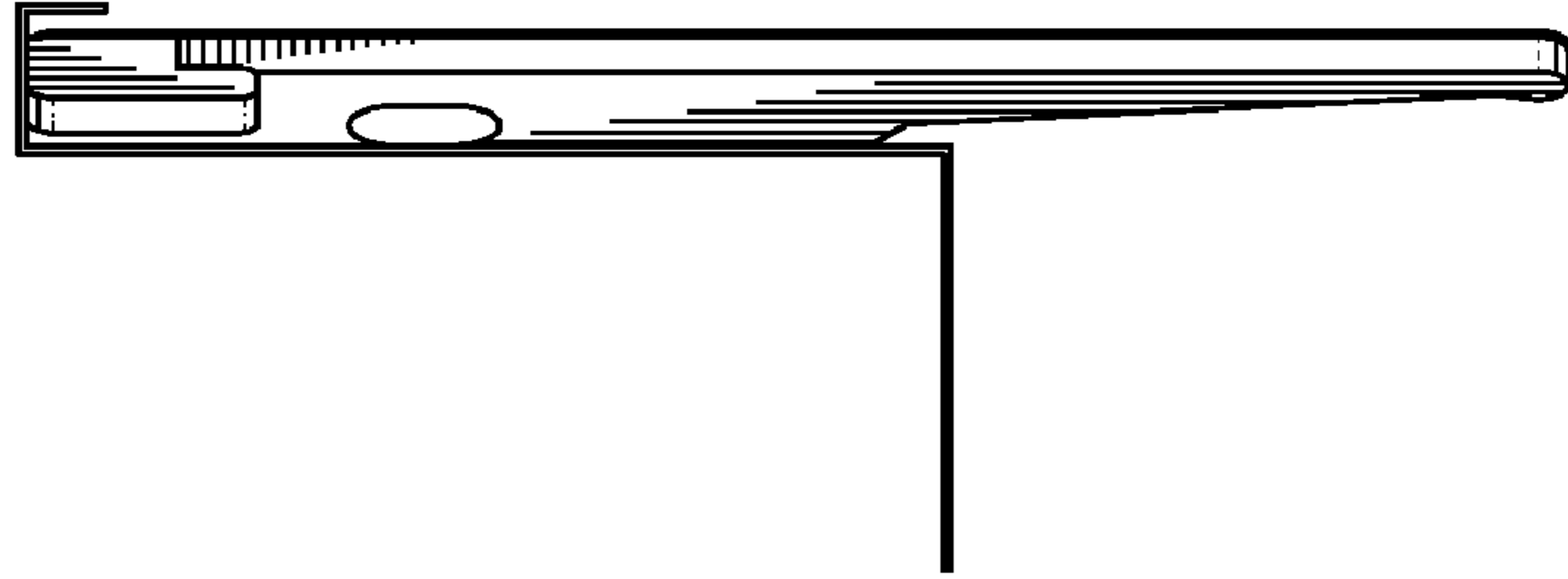


FIG. 3

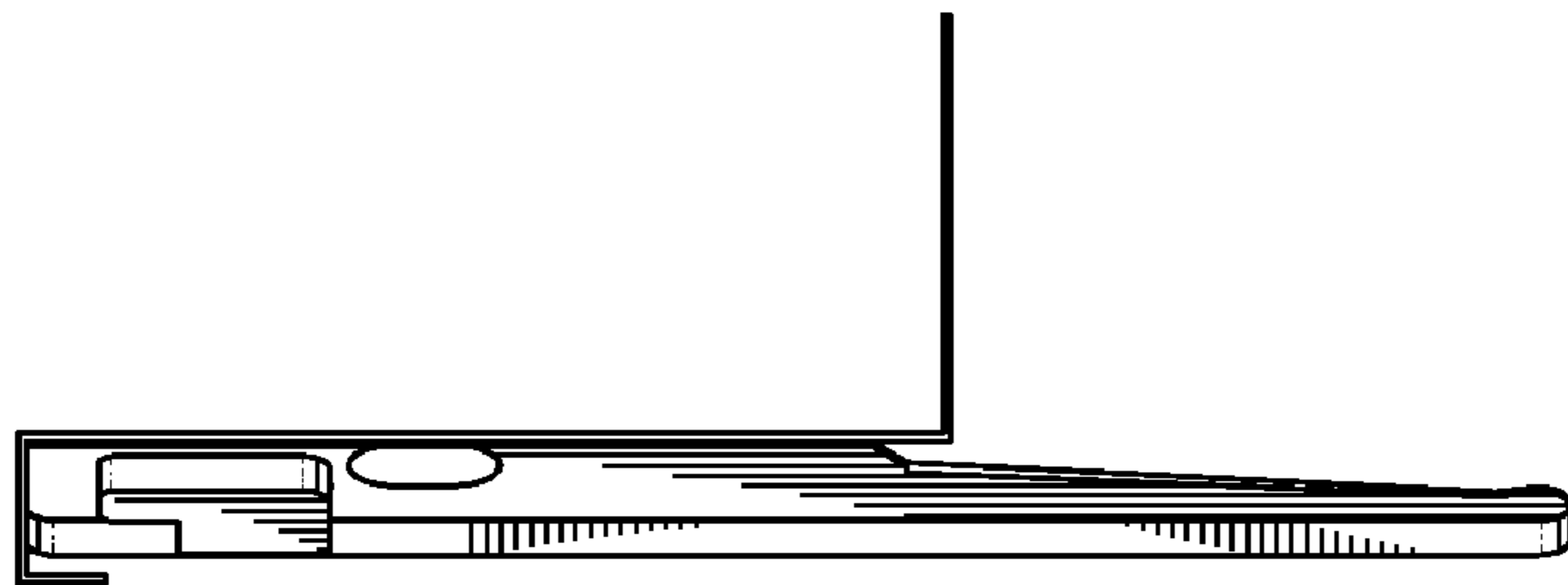


FIG. 2

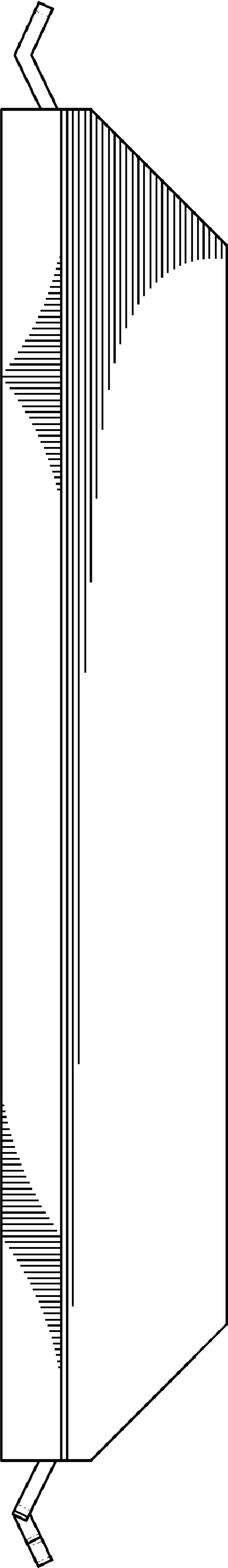


FIG. 4

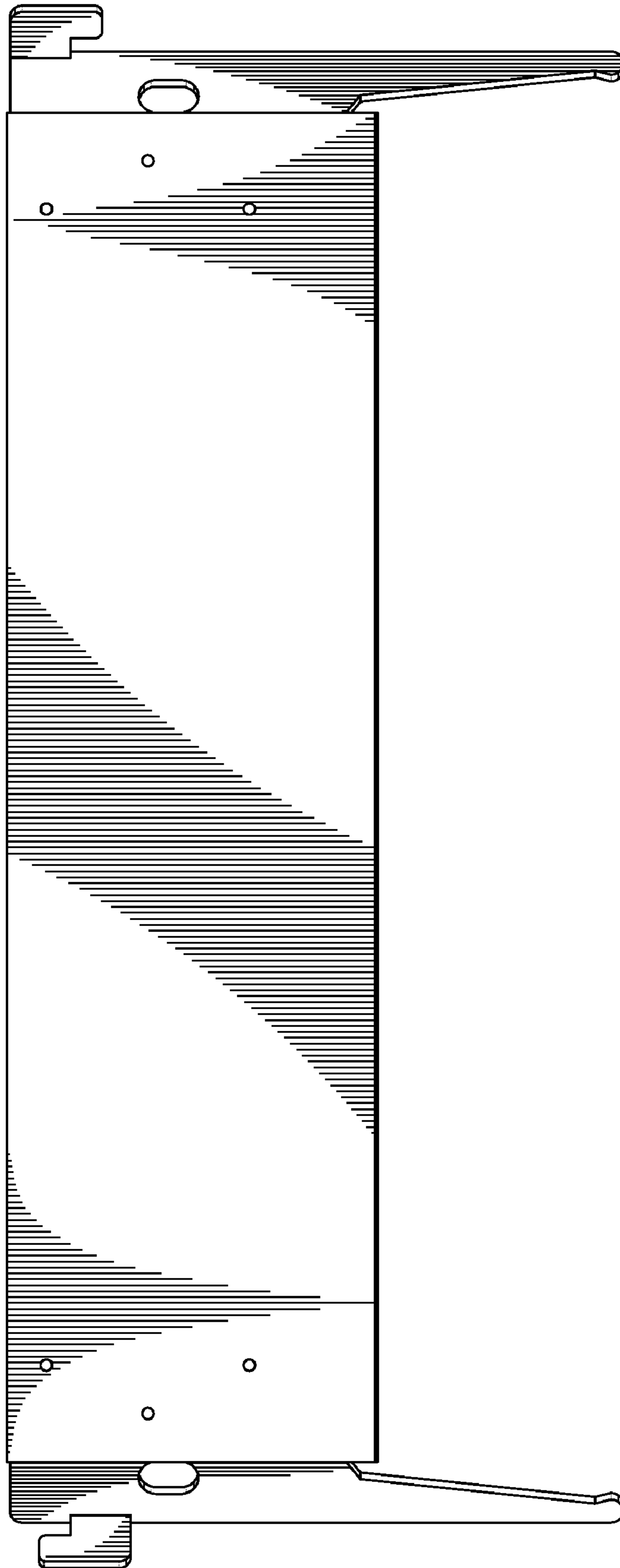


FIG. 5



FIG. 6

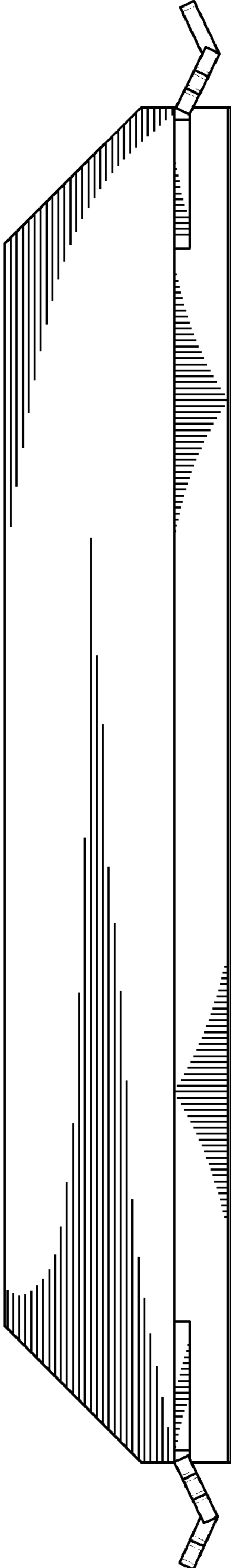


FIG. 7

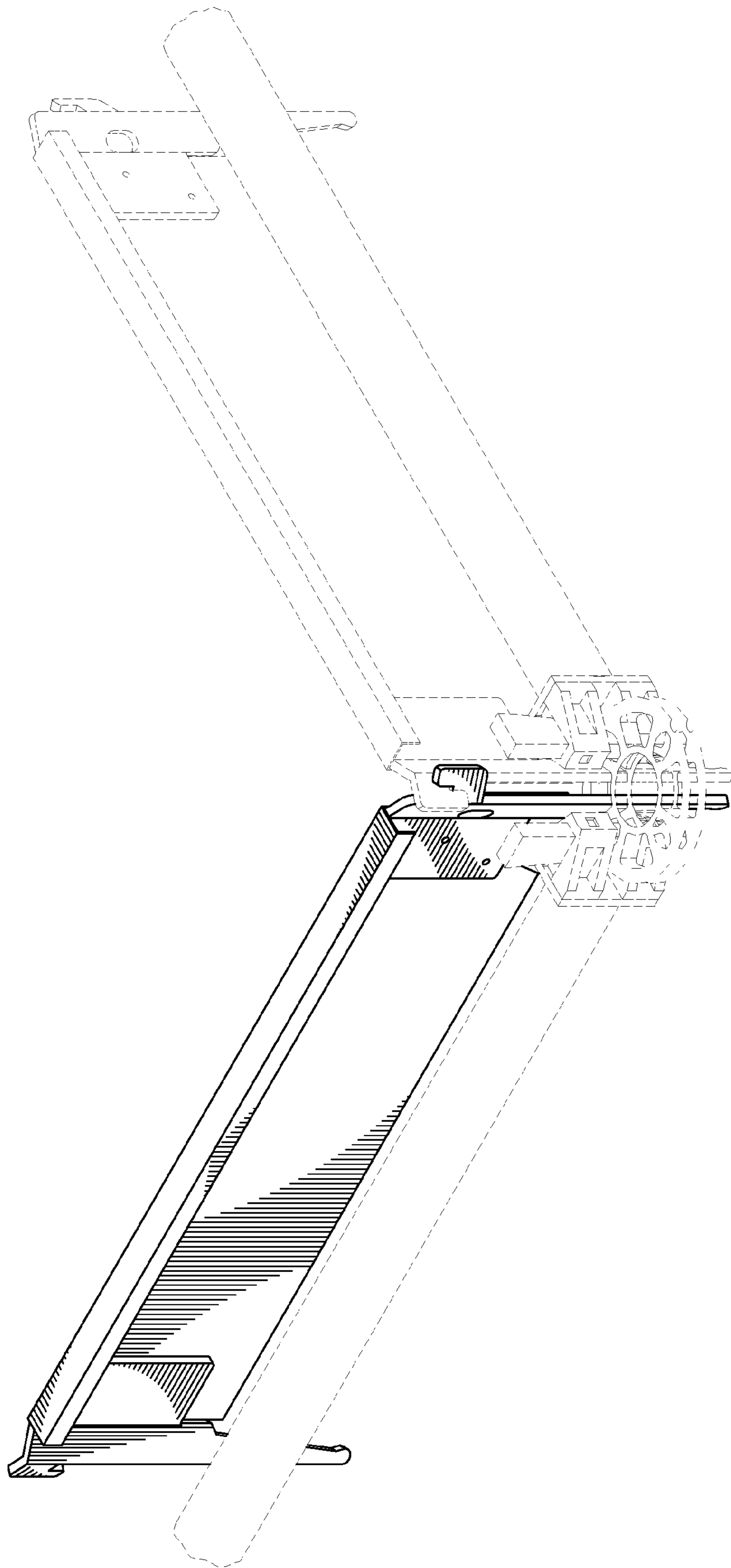


FIG. 8