



US00D596758S

(12) **United States Design Patent**  
**Constable**

(10) **Patent No.:** **US D596,758 S**

(45) **Date of Patent:** **\*\* Jul. 21, 2009**

(54) **SPACER FOR ALLERGY TESTING KIT**

(75) Inventor: **Derek W. Constable**, Spokane, WA (US)

(73) Assignee: **Hollister-Stier Laboratories, LLC**,  
Spokane, WA (US)

(\*\*) Term: **14 Years**

(21) Appl. No.: **29/295,670**

(22) Filed: **Oct. 3, 2007**

(51) **LOC (9) Cl.** ..... **24-02**

(52) **U.S. Cl.** ..... **D24/230**

(58) **Field of Classification Search** ..... D24/216,  
D24/224, 227–232; 422/63–64, 99–104,  
422/266, 297, 300; 211/71.01, 85.13  
See application file for complete search history.

(56) **References Cited**

**U.S. PATENT DOCUMENTS**

D339,869 S *	9/1993	Schea et al. ....	D24/224
D382,346 S *	8/1997	Buhler et al. ....	D24/230
D413,391 S *	8/1999	Lapeus et al. ....	D24/229
D413,677 S *	9/1999	Dumitrescu et al. ....	D24/229
D417,009 S *	11/1999	Boyd ..... ..	D24/227
D420,747 S *	2/2000	Dumitrescu et al. ....	D24/227
D428,497 S *	7/2000	Lapeus et al. ....	D24/227
D433,759 S *	11/2000	Mathis et al. ....	D24/229
D448,854 S *	10/2001	Kuiper et al. ....	D24/230
D484,989 S *	1/2004	Gebrian ..... ..	D24/230
D534,658 S *	1/2007	Bargh ..... ..	D24/229

\* cited by examiner

*Primary Examiner*—Robert A. Delehanty

*Assistant Examiner*—Mark Cavanna

(74) *Attorney, Agent, or Firm*—Meyers Bigel Sibley & Sajovec

(57) **CLAIM**

The ornamental design for a spacer for an allergy testing kit, as shown and described.

**DESCRIPTION**

FIG. 1 is a perspective view of the spacer for an allergy testing kit showing my design.

FIG. 2 is a top view thereof.

FIG. 3 is a front view thereof.

FIG. 4 is a bottom view thereof.

FIG. 5 is an back view thereof.

FIG. 6 is a side view thereof.

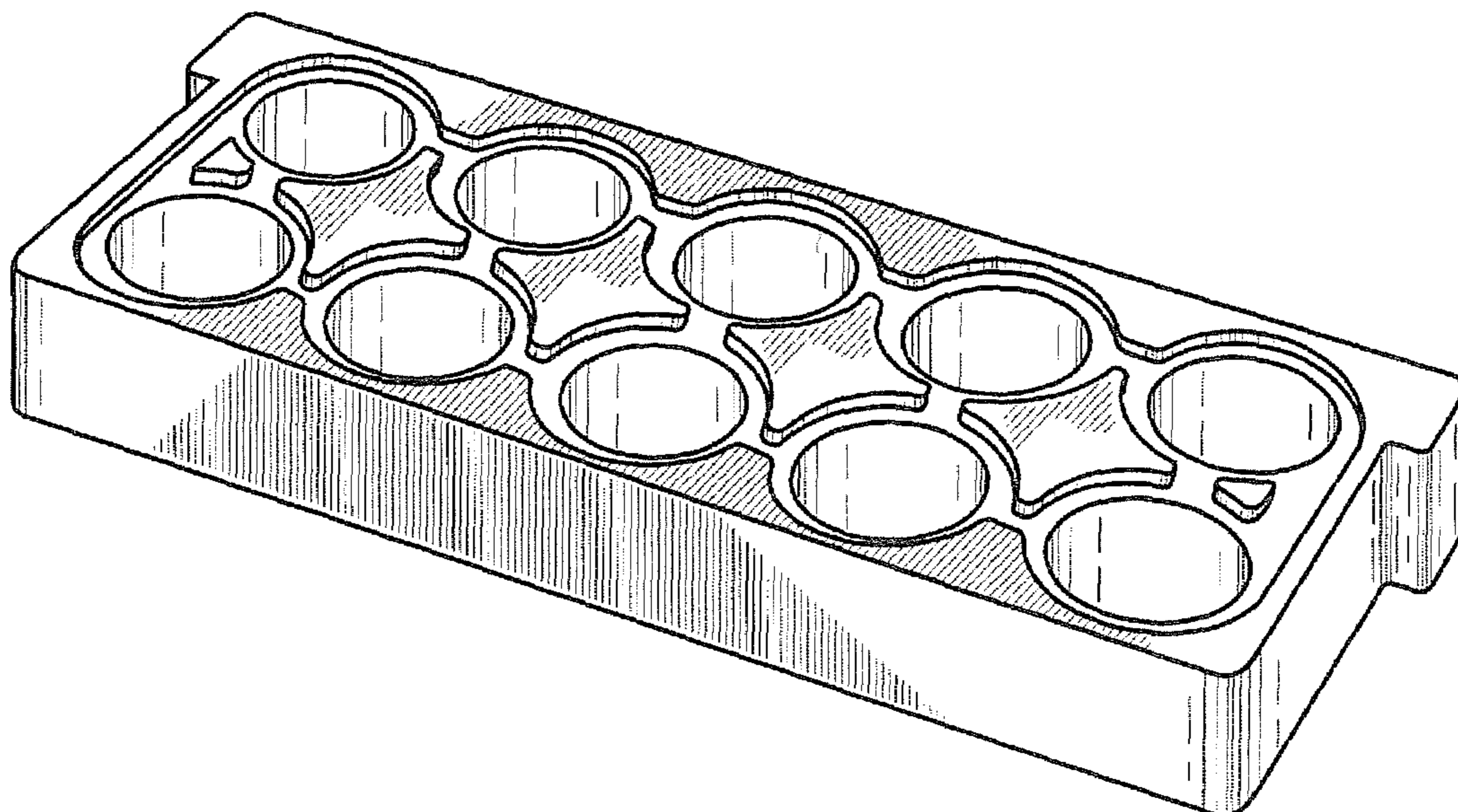
FIG. 7 is an opposing side view thereof.

FIG. 8 is an exploded perspective environmental view illustrating a spacer in an allergy testing kit shown on a reduced scale; and,

FIG. 9 is another exploded perspective environmental view illustrating the allergy testing kit of FIG. 8 with the cover omitted and showing an alternative environmental view shown on a reduced scale.

The broken line in the interior of FIG. 4, and the exploded allergy testing kit is included for the purpose of illustrating environment and forms no part of the claimed design.

**1 Claim, 4 Drawing Sheets**



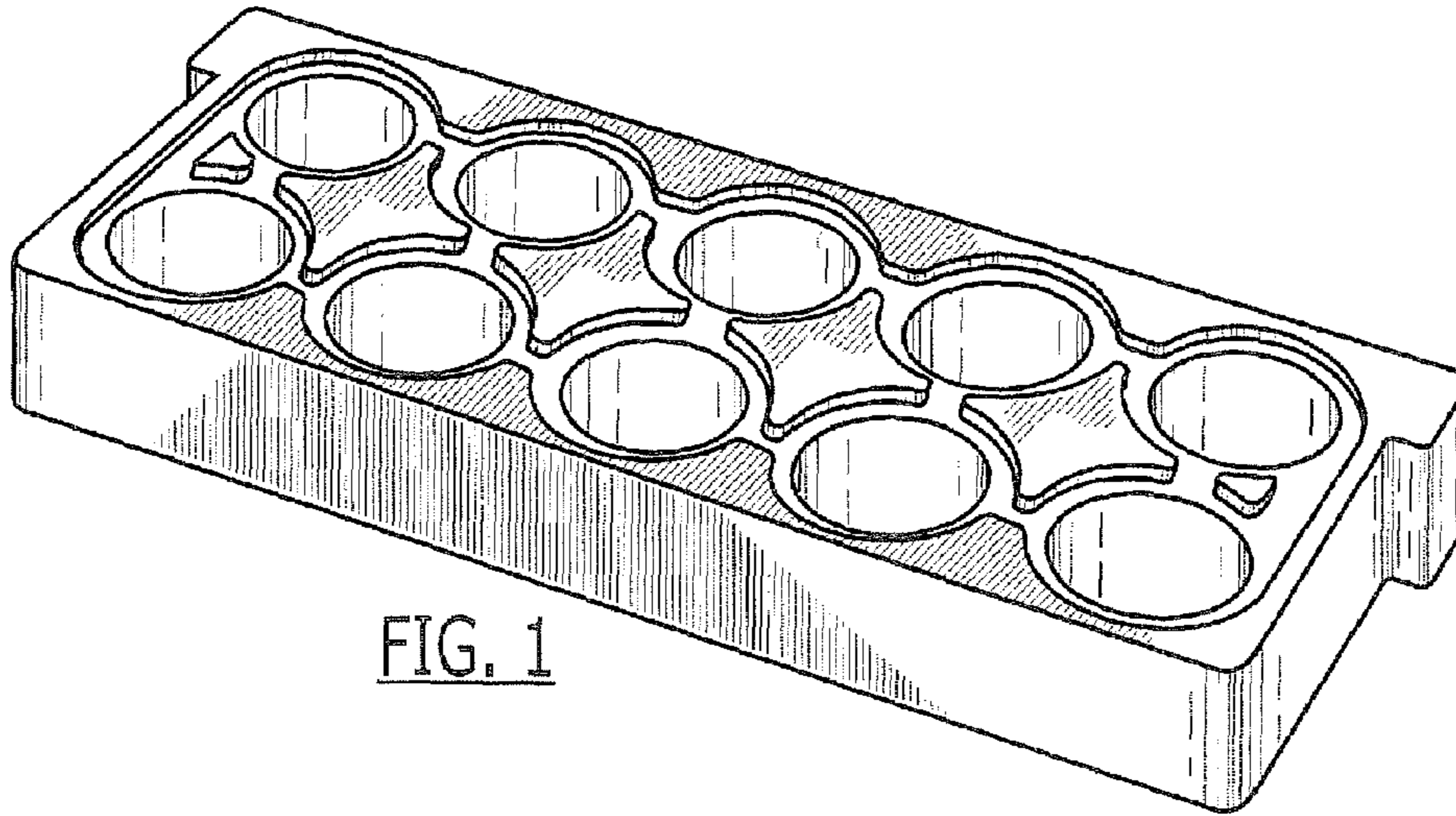


FIG. 1

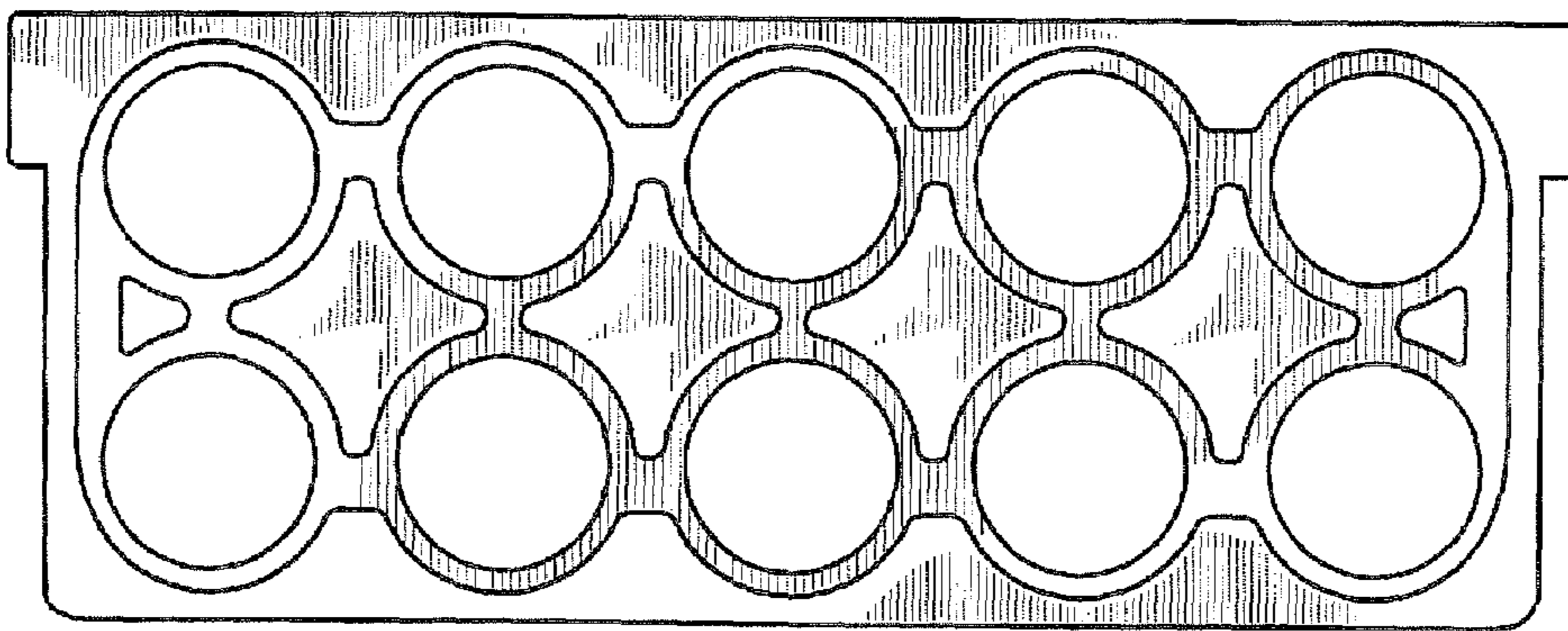


FIG. 2



FIG. 3

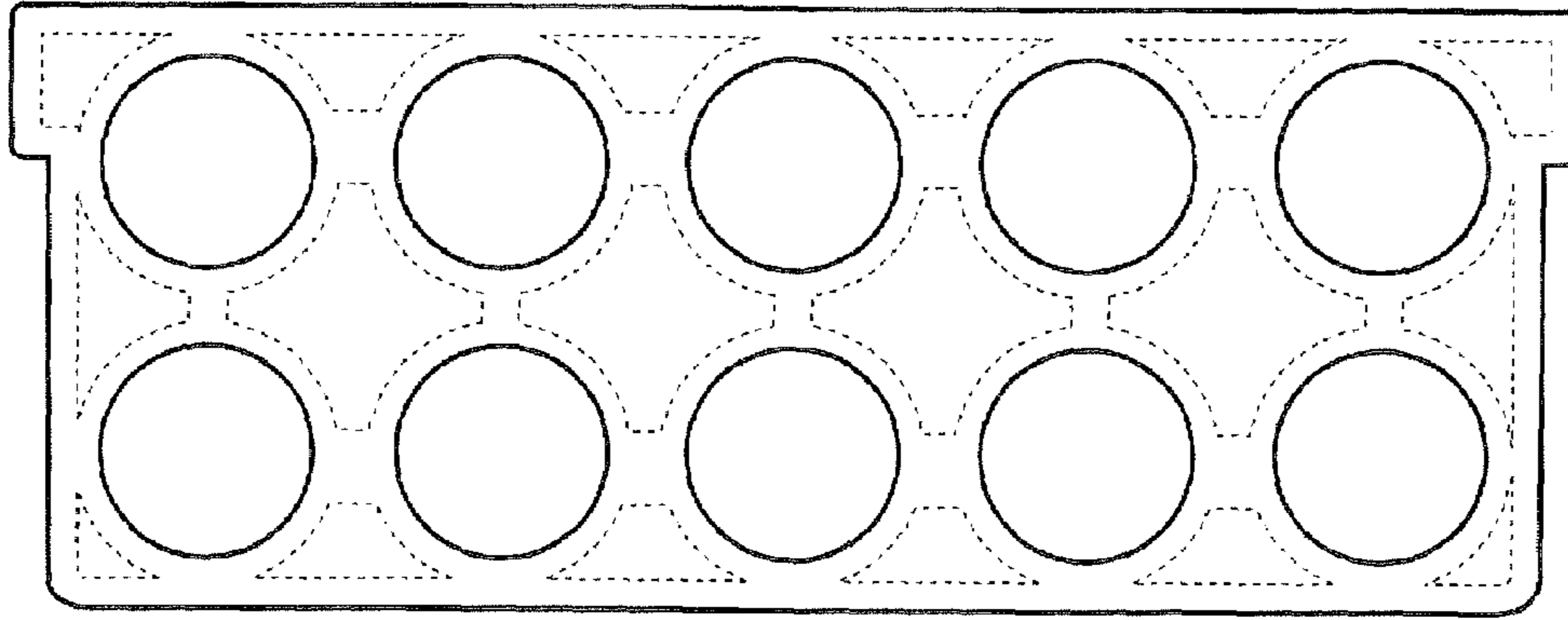


FIG. 4



FIG. 5



FIG. 6

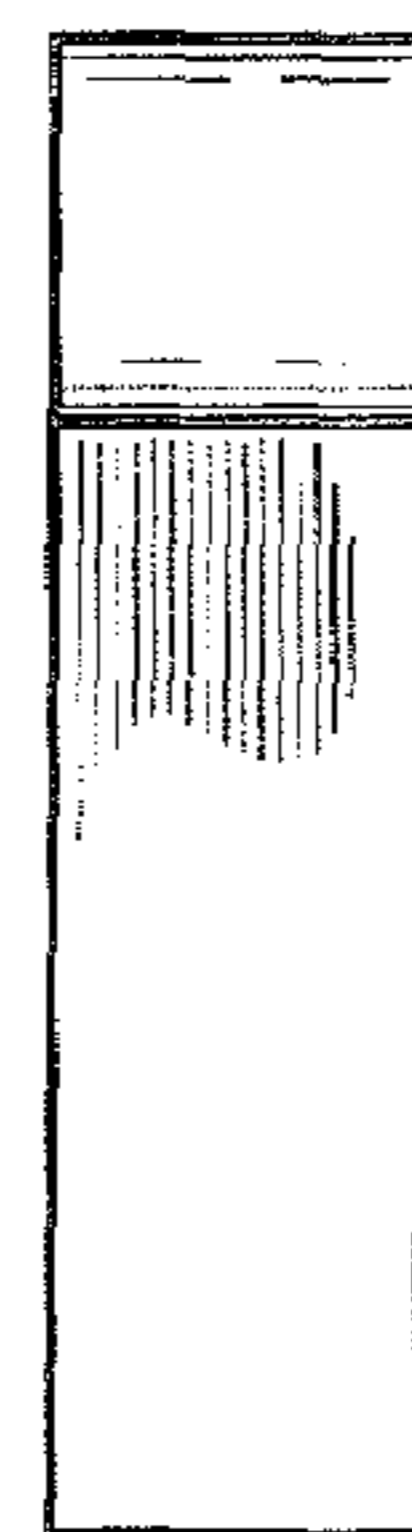


FIG. 7

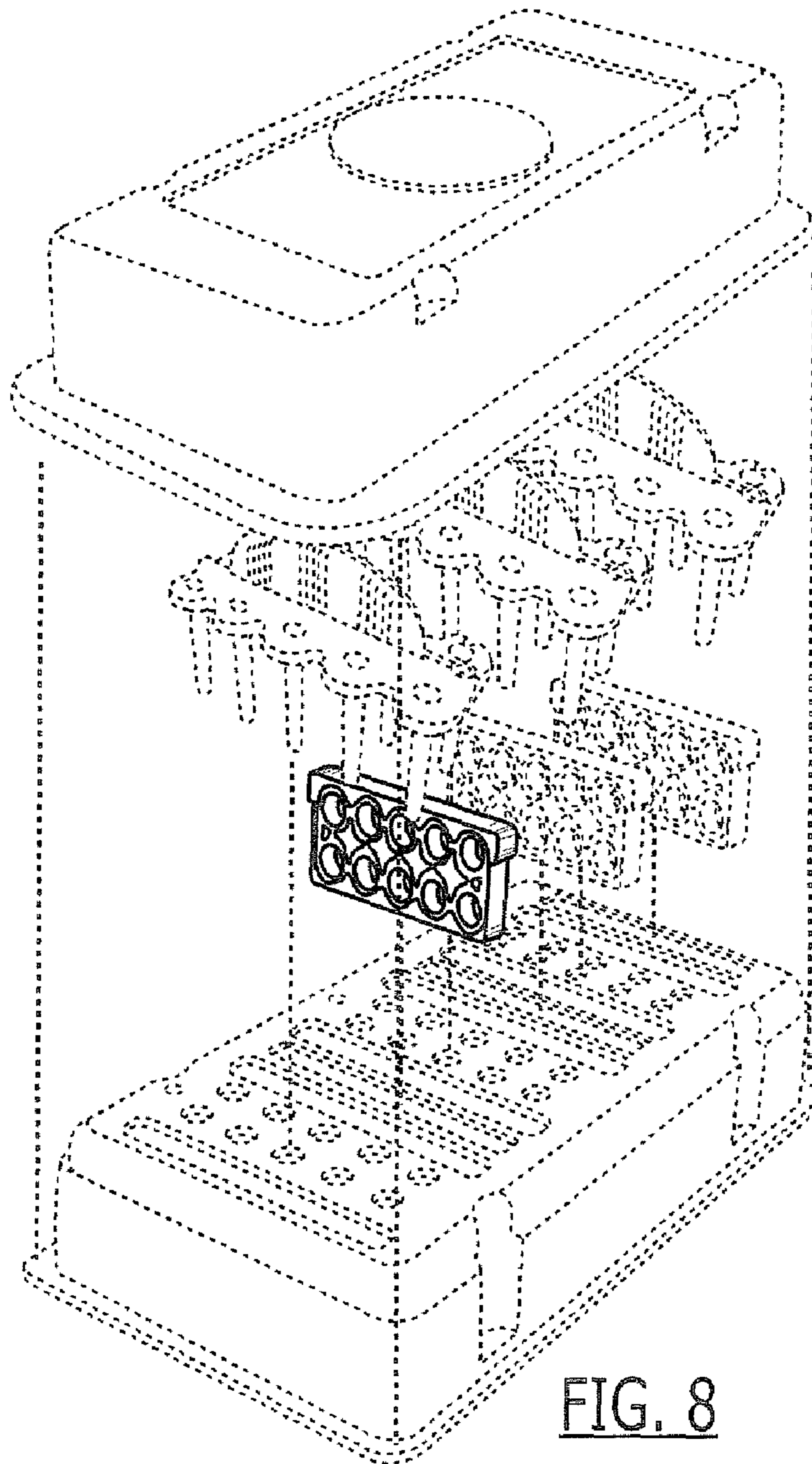


FIG. 8

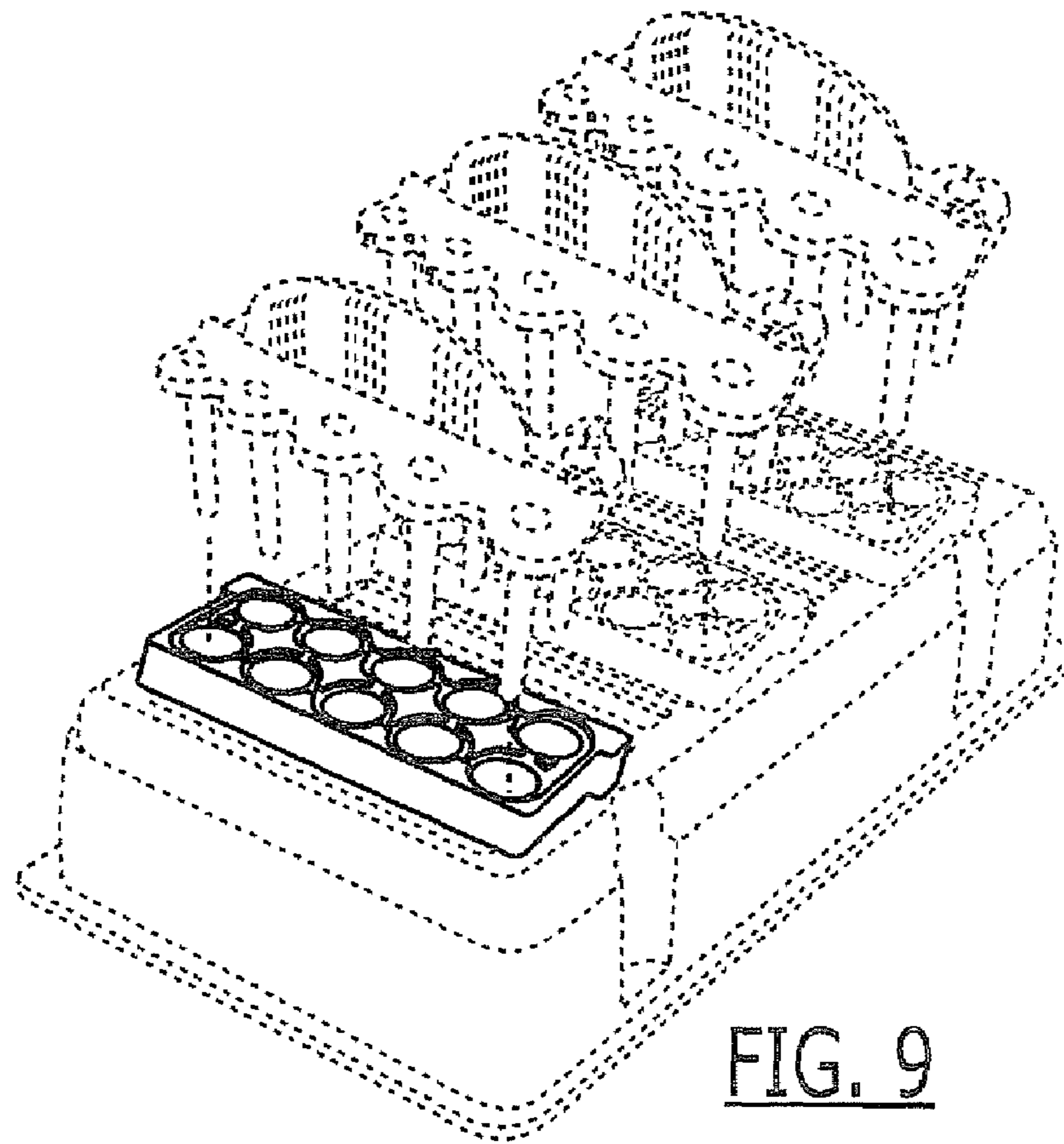


FIG. 9