



US00D596756S

(12) **United States Design Patent**
Ayliffe

(10) **Patent No.:** **US D596,756 S**

(45) **Date of Patent:** **** Jul. 21, 2009**

(54) **PIPETTE**

(75) Inventor: **Harold E. Ayliffe**, Woodinville, WA
(US)

(73) Assignee: **E.I. Spectra, LLC**, Woodinville, WA
(US)

(**) Term: **14 Years**

(21) Appl. No.: **29/312,537**

(22) Filed: **Oct. 29, 2008**

(51) **LOC (9) Cl.** **24-02**

(52) **U.S. Cl.** **D24/222**

(58) **Field of Classification Search** D24/222,
D24/108, 112, 113, 114; D10/81; 73/864.01,
73/864.11, 864.13, 864.14, 864.16; 422/100,
422/923, 928

See application file for complete search history.

(56) **References Cited**

U.S. PATENT DOCUMENTS

- D252,823 S * 9/1979 Withers et al. D24/222
- 4,567,780 A * 2/1986 Oppenlander et al. 73/864.16
- D419,685 S * 1/2000 Jacquet et al. D24/222
- 6,019,004 A * 2/2000 Conley et al. 73/864.16

- D426,642 S * 6/2000 Rainin et al. D24/222
- D438,630 S * 3/2001 Honore D24/222
- 6,532,837 B1 * 3/2003 Magussen et al. 73/864.14
- D548,358 S * 8/2007 Koop D24/222
- 7,284,454 B2 * 10/2007 Cote 73/864.18
- D561,346 S * 2/2008 Alejos D24/222
- 2005/0262951 A1 * 12/2005 Cote 73/864

* cited by examiner

Primary Examiner—T. Chase Nelson

Assistant Examiner—Anhdao Doan

(74) *Attorney, Agent, or Firm*—Brian C. Trask

(57) **CLAIM**

The ornamental design for a pipette, as shown and described.

DESCRIPTION

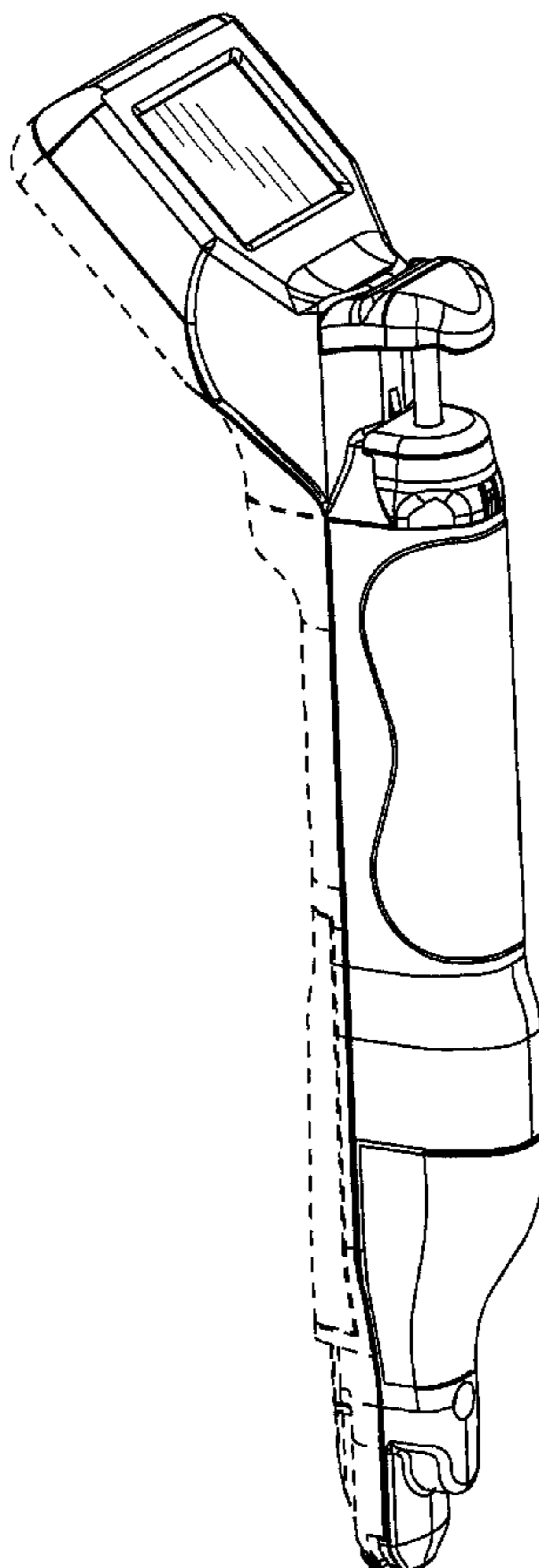
FIG. 1 is a perspective view of a pipette structured according to my new design;

FIG. 2 is a left side view thereof, the right side view being a mirror image of the left side; and,

FIG. 3 is a front elevation view thereof.

The broken lines in FIGS. 1 and 2 are included for the purpose of illustrating portions of the pipette that form no part of the claimed design.

1 Claim, 2 Drawing Sheets



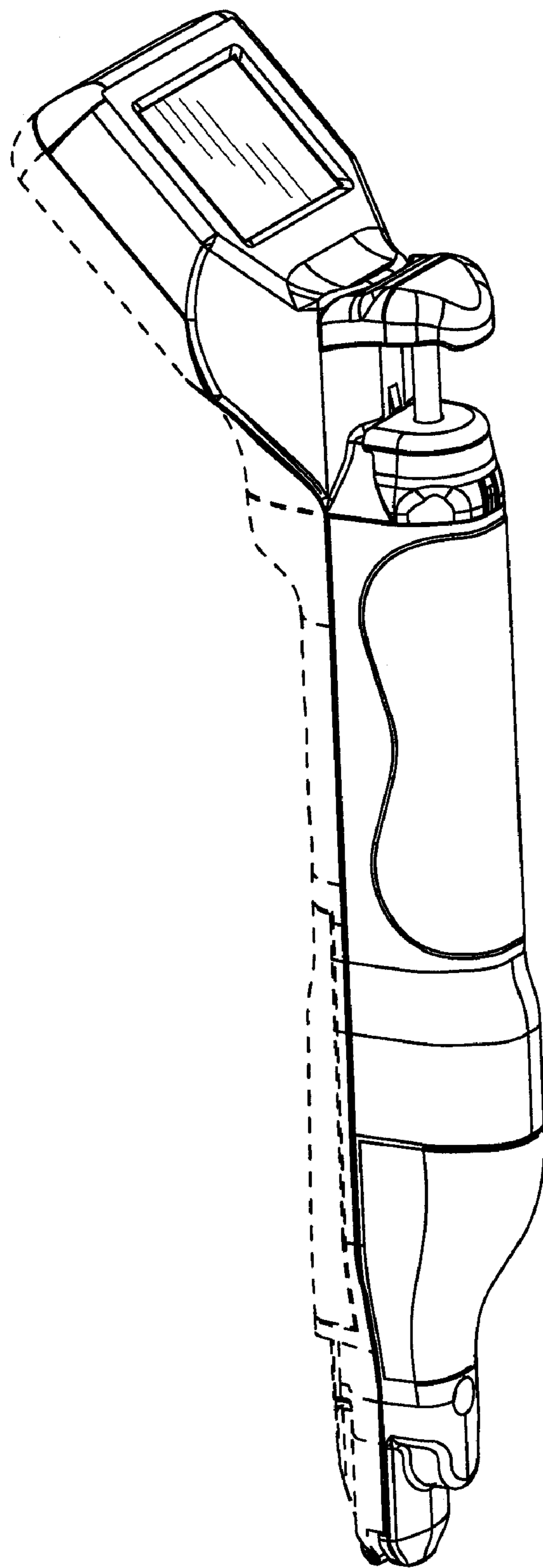


FIG. 1

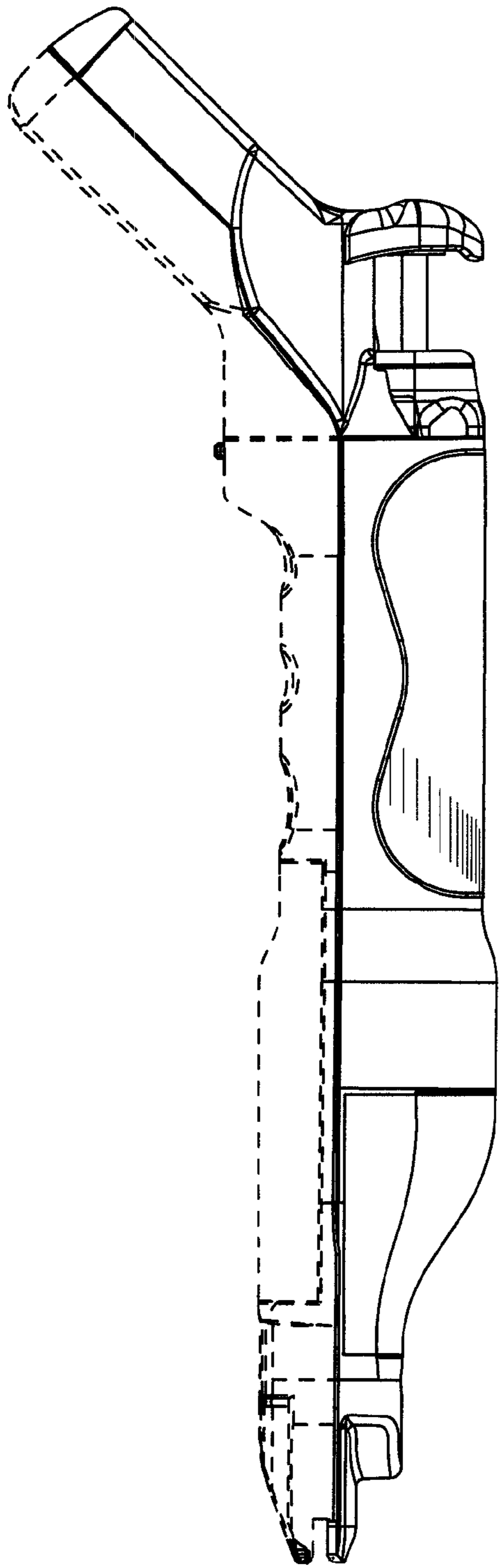


FIG. 2

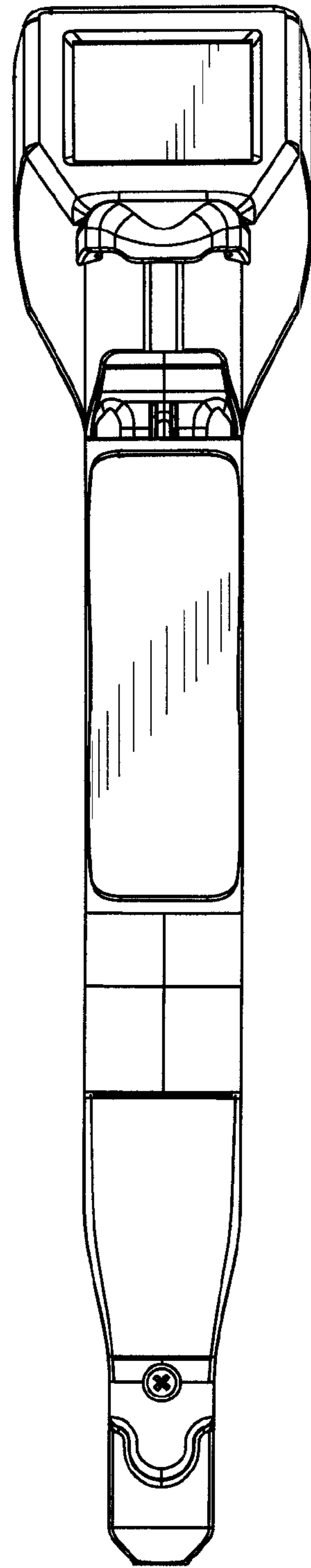


FIG. 3