

US00D596755S

(12) **United States Design Patent**  
**Labak**

(10) **Patent No.:** **US D596,755 S**  
(45) **Date of Patent:** **\*\* Jul. 21, 2009**

(54) **MULTI-CHANNEL PIPETTE HAVING REPOSITIONABLE TIP FITTINGS**

(75) Inventor: **Chris Labak**, Milford, NH (US)

(73) Assignee: **Viaflo Corporation**, Hudson, NH (US)

(\*\*) Term: **14 Years**

(21) Appl. No.: **29/306,240**

(22) Filed: **Apr. 4, 2008**

(51) **LOC (9) Cl.** ..... **24-02**

(52) **U.S. Cl.** ..... **D24/222**

(58) **Field of Classification Search** ..... D24/222,  
D24/108, 112, 113, 114; D10/81; 73/864.01,  
73/864.11, 864.13, 864.14, 864.16; 422/100,  
422/923, 928

See application file for complete search history.

(56) **References Cited**

**U.S. PATENT DOCUMENTS**

662,087	A	11/1900	Nichols et al.	
D279,710	S *	7/1985	Yonkers et al. ....	D24/222
4,599,220	A	7/1986	Yonkers et al.	
4,779,467	A	10/1988	Rainin et al.	
4,824,642	A	4/1989	Lyman et al.	
4,830,832	A	5/1989	Arpagaus et al.	
D302,855	S *	8/1989	Lyman .....	D24/222
5,057,281	A	10/1991	Torti et al.	
5,061,449	A	10/1991	Torti et al.	
D325,974	S *	5/1992	Kalmakis et al. ....	D24/222
D368,142	S	3/1996	Malinoff et al.	
D373,828	S	9/1996	Malinoff et al.	
5,970,806	A	10/1999	Telimaa et al.	
D438,630	S *	3/2001	Honore .....	D24/222

6,235,244	B1	5/2001	Allen et al.	
6,732,598	B2	5/2004	Schoeppe	
6,793,891	B2	9/2004	Yiu	
6,968,749	B2 *	11/2005	Chen et al. ....	422/100
7,219,567	B2	5/2007	Porat et al.	
2001/0036425	A1	11/2001	Gazeau et al.	
2004/0099067	A1	5/2004	Chen et al.	
2006/0144169	A1	7/2006	Porat et al.	

\* cited by examiner

*Primary Examiner*—T. Chase Nelson

*Assistant Examiner*—Anhdao Doan

(74) *Attorney, Agent, or Firm*—Andrus, Scales, Starke & Sawall, LLP

(57) **CLAIM**

An ornamental design for a multi-channel pipette having repositionable tip fittings, as shown and described.

**DESCRIPTION**

FIG. 1 is a perspective view of a multi-channel pipette having repositionable tip fittings, showing my new design;

FIG. 2 is a front view thereof;

FIG. 3 is a right side view thereof;

FIG. 4 is a left side view thereof;

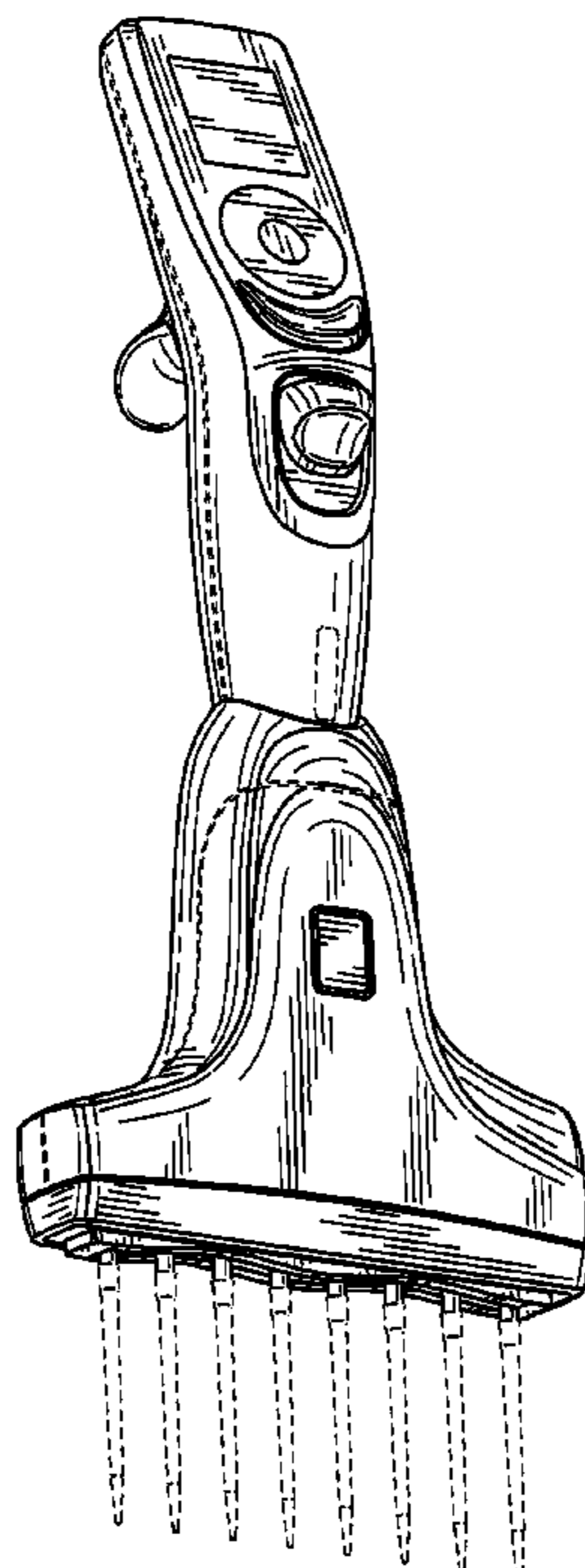
FIG. 5 is a top view thereof;

FIG. 6 is a bottom view thereof; and,

FIG. 7 is a rear view thereof.

The broken lines in the drawings are included for the purpose of illustrating portions of the multi-channel pipette that form no part of the claimed design

**1 Claim, 5 Drawing Sheets**



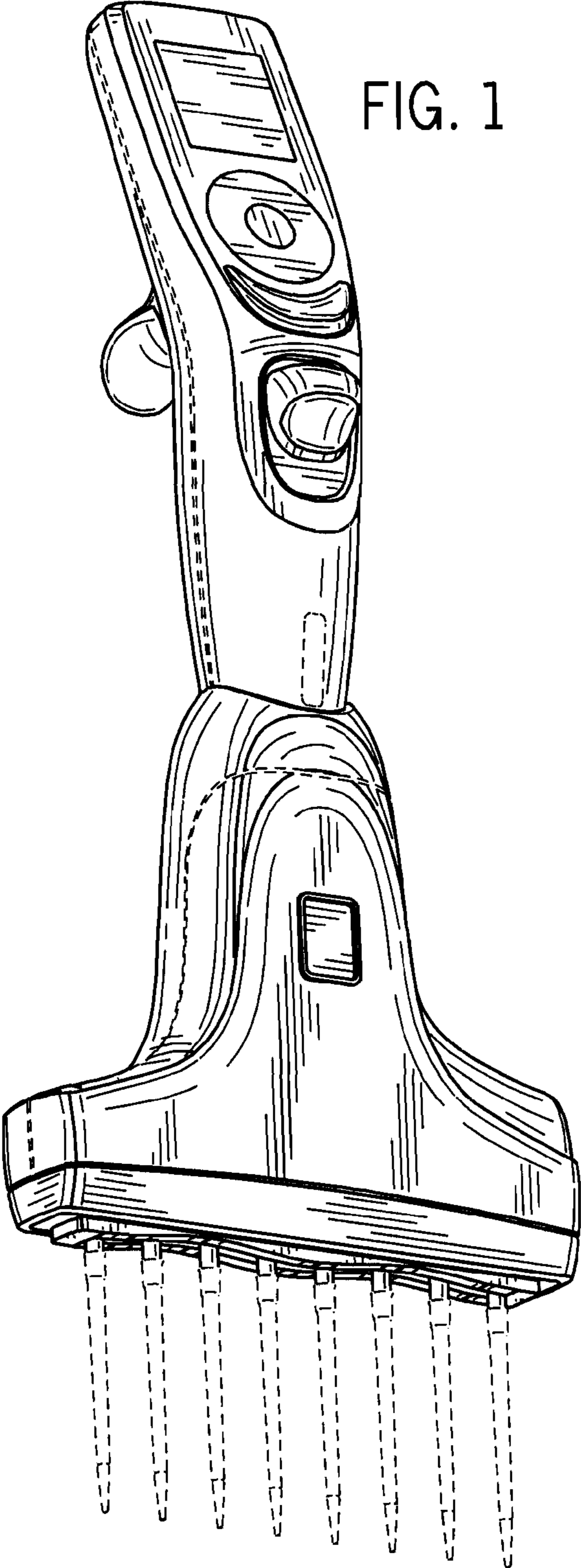


FIG. 1

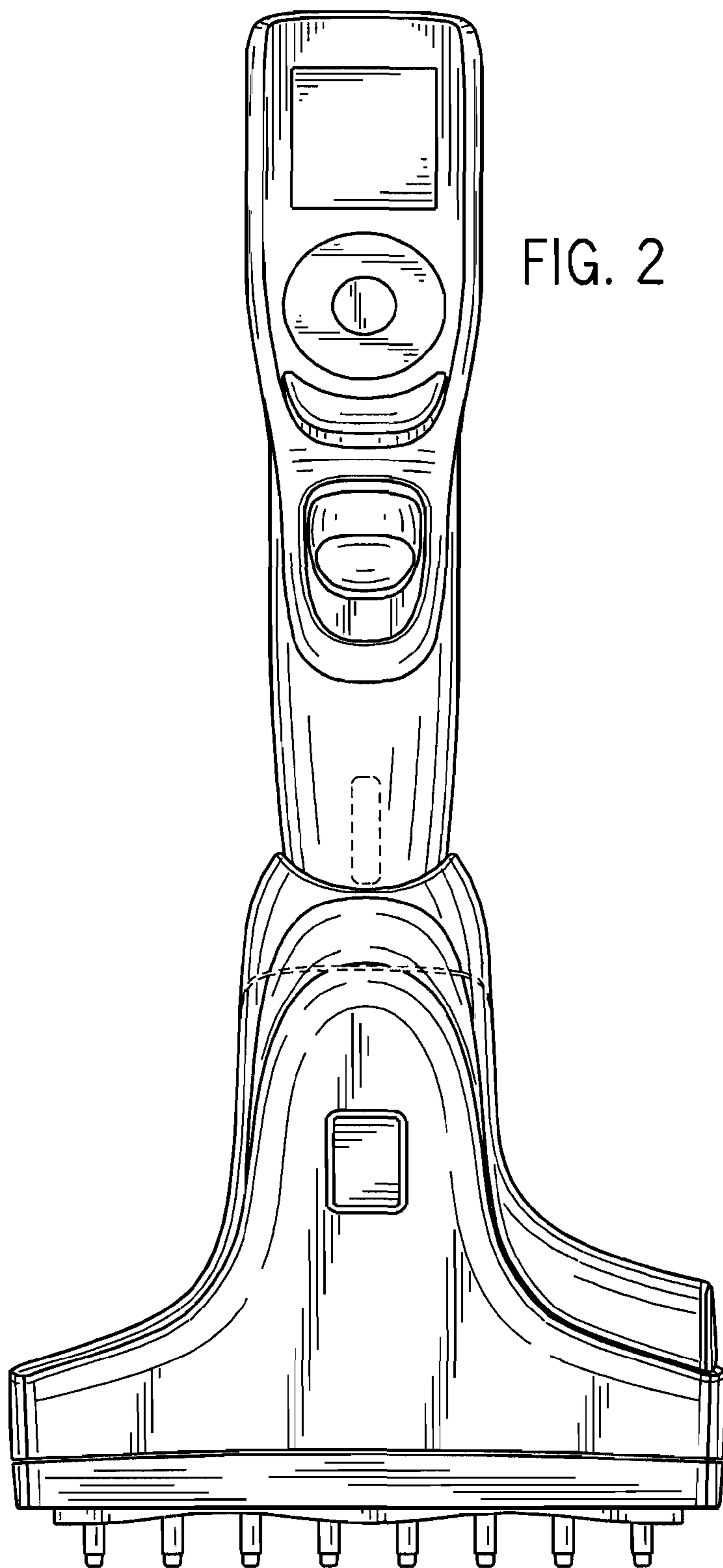
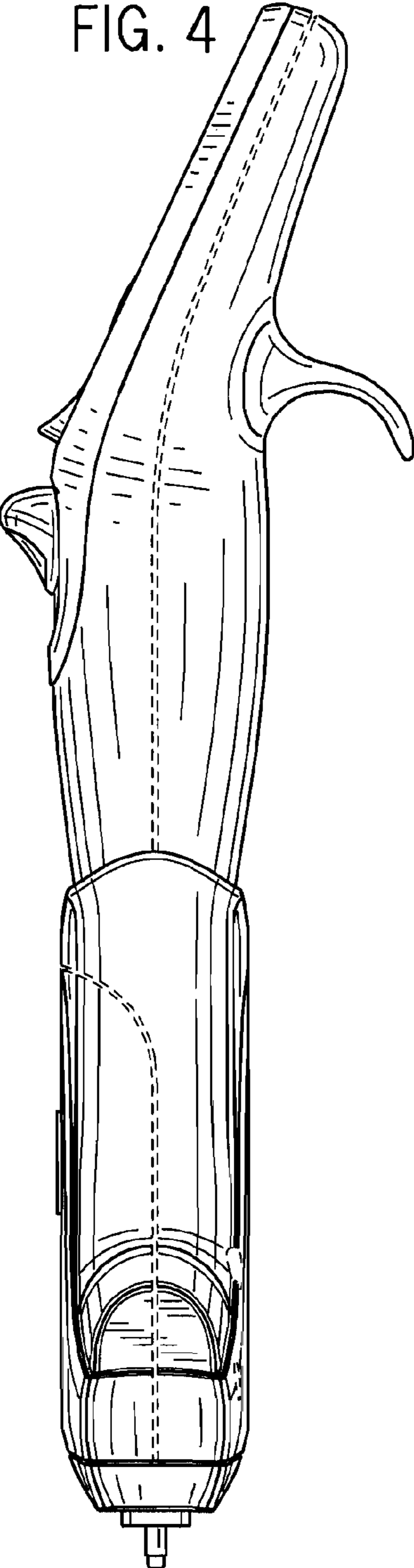
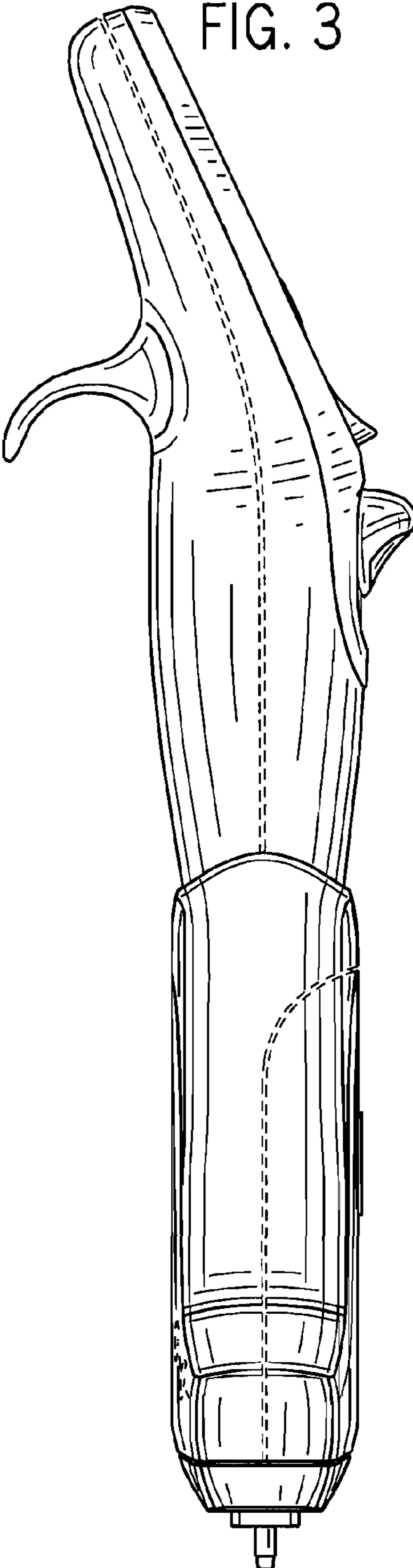


FIG. 2



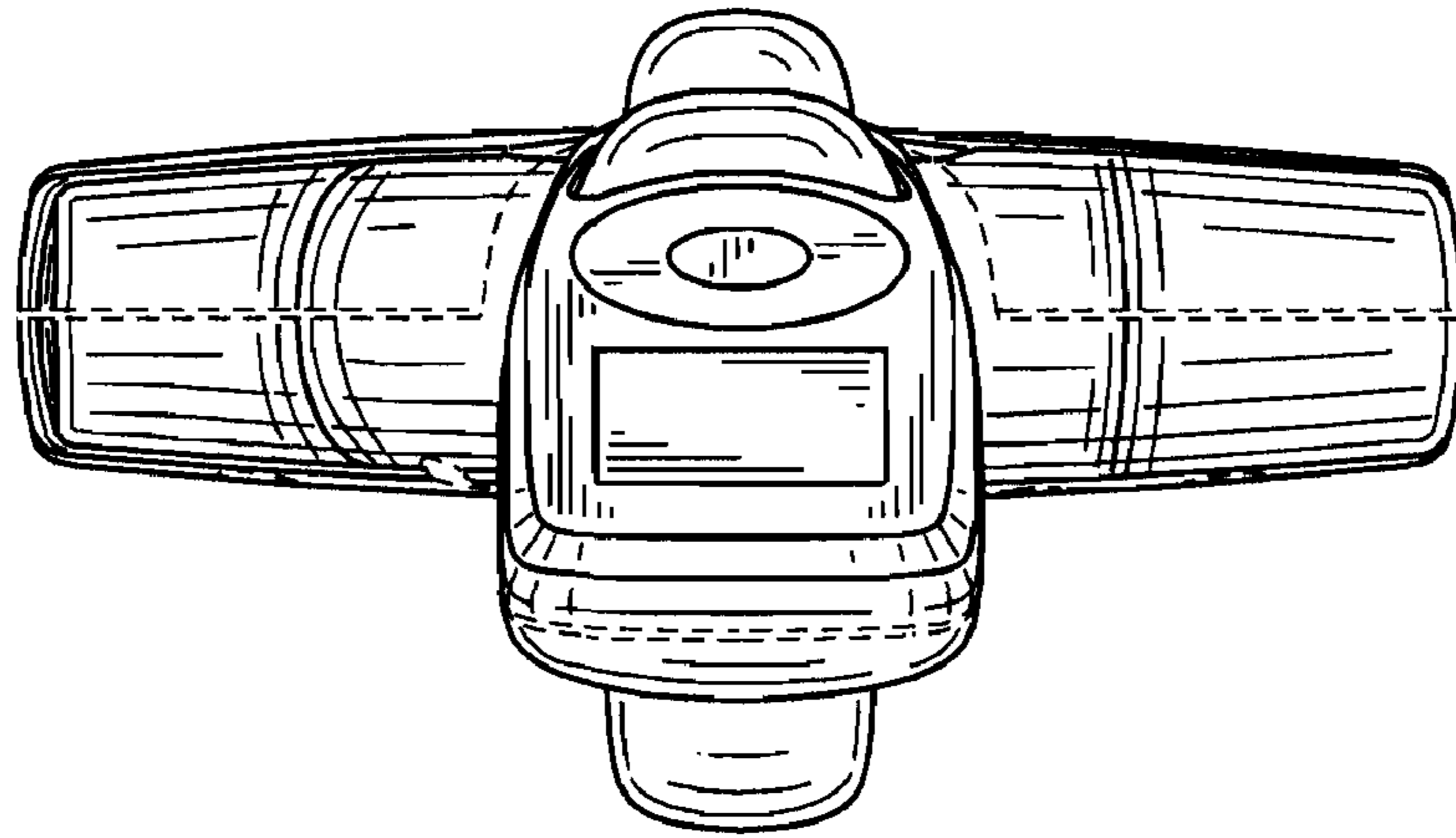


FIG. 5

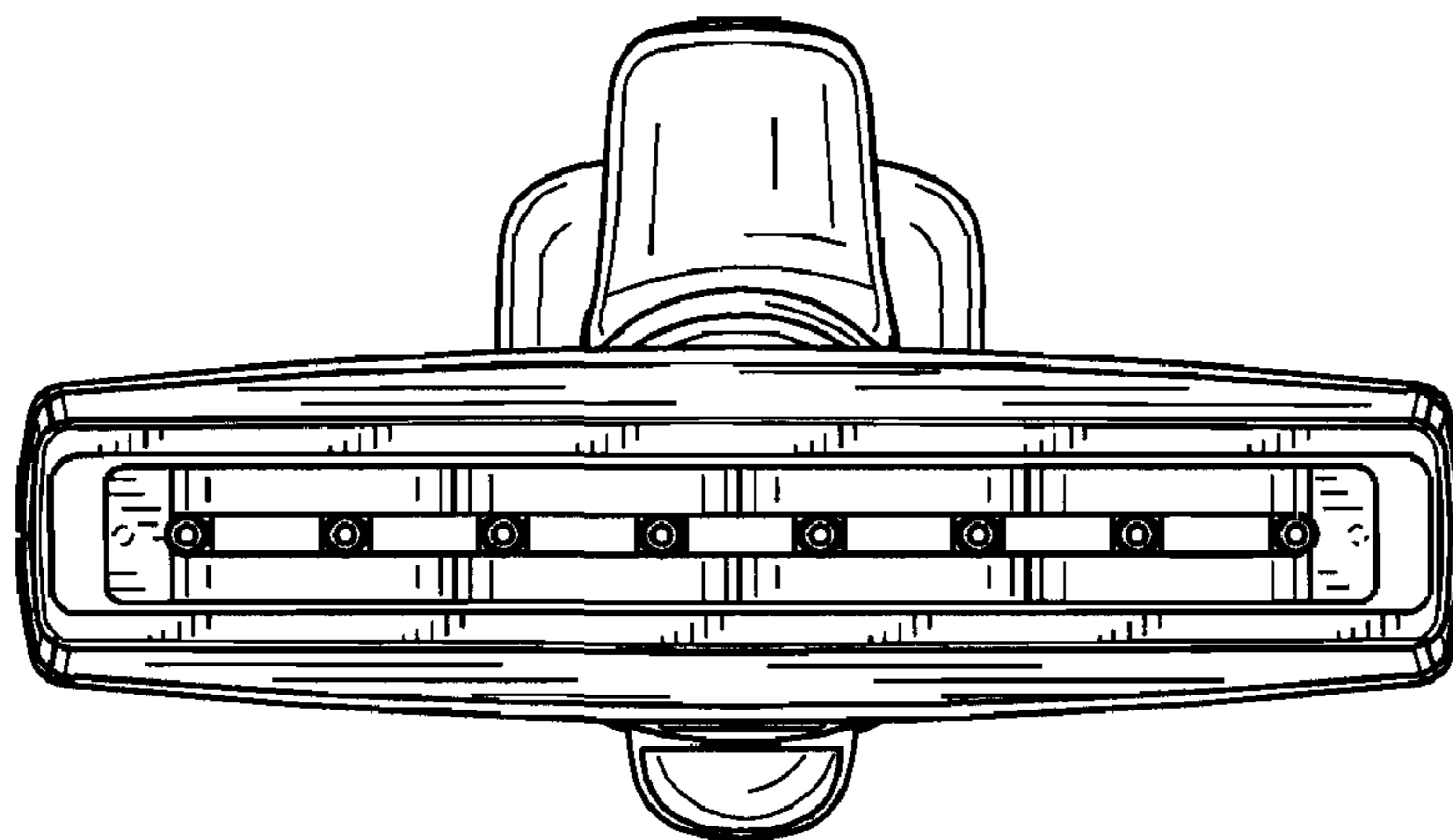


FIG. 6

