



(12) **United States Design Patent**
LaStella

(10) **Patent No.:** **US D596,753 S**
(45) **Date of Patent:** **** Jul. 21, 2009**

(54) **TESTING DEVICE**

(76) Inventor: **Vincent P. LaStella**, 107 William St.,
Clark, NJ (US) 07066

(**) Term: **14 Years**

(21) Appl. No.: **29/296,972**

(22) Filed: **Oct. 31, 2007**

Related U.S. Application Data

(63) Continuation-in-part of application No. 10/896,607,
filed on Jul. 22, 2004, now Pat. No. 7,427,505.

(51) **LOC (9) Cl.** **24-02**

(52) **U.S. Cl.** **D24/216**

(58) **Field of Classification Search** D24/216-230;
422/64, 102, 56, 58, 61, 63, 99, 104; 356/246;
D10/81, 103; 436/66, 67; 435/287.1, 288.7
See application file for complete search history.

(56) **References Cited**

U.S. PATENT DOCUMENTS

2,291,173	A *	7/1942	Simpson	40/702
3,996,006	A	12/1976	Pagano	23/253
4,112,165	A *	9/1978	Russell	428/134
4,225,557	A *	9/1980	Hartl et al.	422/56
4,259,964	A	4/1981	Levine	600/371
4,273,741	A	6/1981	Levine	422/56
4,365,970	A *	12/1982	Lawrence et al.	422/58
4,367,750	A	1/1983	Levine	600/371
4,420,353	A	12/1983	Levine	156/227

(Continued)

FOREIGN PATENT DOCUMENTS

EP 1619 502 A1 1/2006

(Continued)

OTHER PUBLICATIONS

Extended European Search Report (Apr. 4, 2006).

(Continued)

Primary Examiner—T. Chase Nelson

Assistant Examiner—Anhdao Doan

(74) *Attorney, Agent, or Firm*—Stroock & Stroock & Lavan
LLP

(57) **CLAIM**

The ornamental design for a testing device, as shown and described.

DESCRIPTION

FIG. 1 is a perspective view of a first embodiment of a testing device in the open position constructed in accordance with the present invention;

FIG. 2 is an top view of the interior panel of the testing device of FIG. 1 when the testing device is in the open position;

FIG. 3 is a front view of the testing device of FIG. 1 in the open position;

FIG. 4 is a side view of the testing device of FIG. 1 in the open position;

FIG. 5 is a rear view of the testing device of FIG. 1;

FIG. 6 is a bottom view of the testing device of FIG. 1;

FIG. 7 is a top perspective view of the testing device of FIG. 1 in the closed position;

FIG. 8 is a perspective view of a second embodiment of a testing device in the open position constructed in accordance with the present invention;

FIG. 9 is an top view of the interior panel of the testing device of FIG. 8 when the testing device is in the open position;

FIG. 10 is a front view of the testing device of FIG. 8 in the open position;

FIG. 11 is a side view of the testing device of FIG. 8 in the open position;

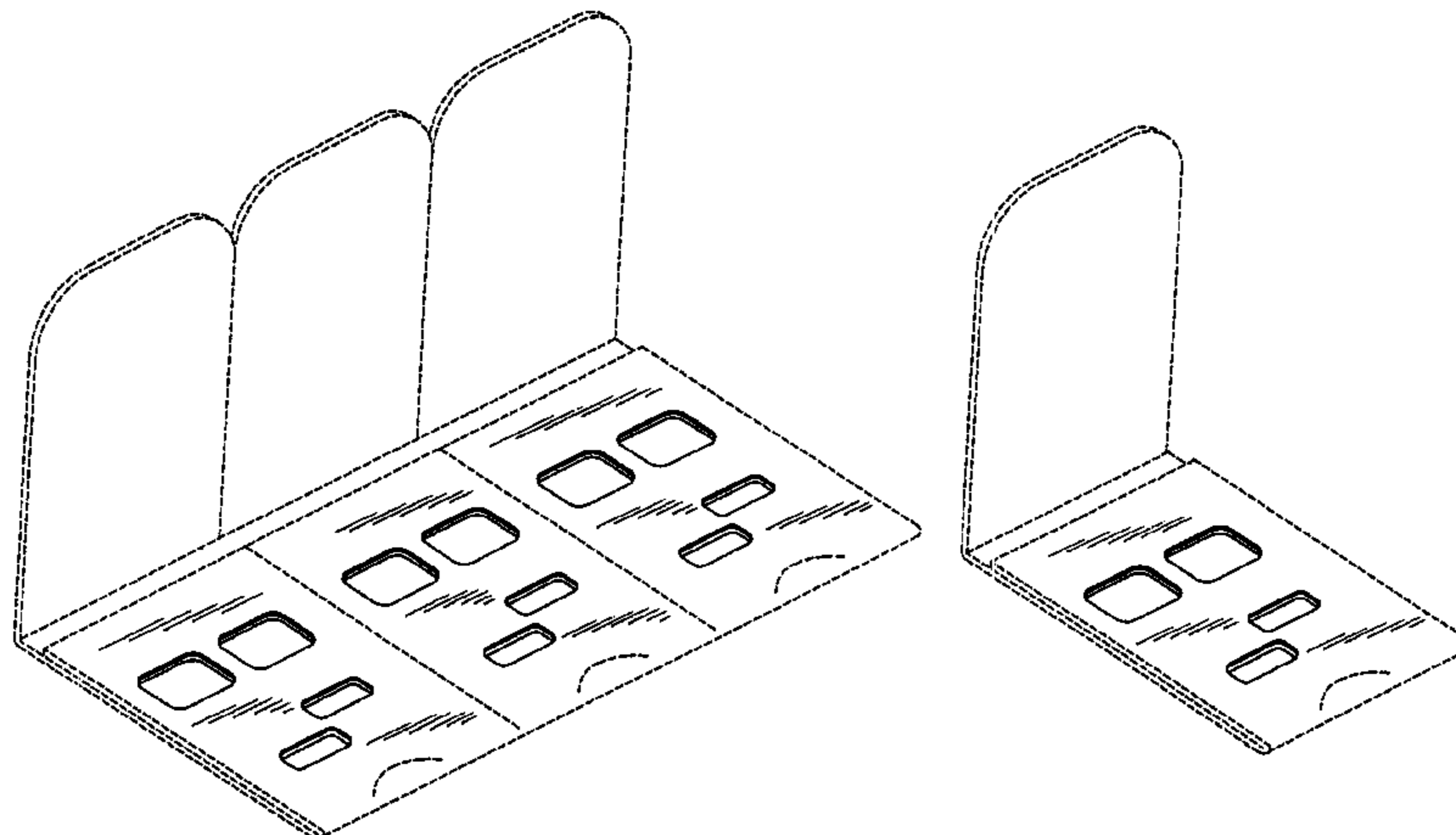
FIG. 12 is a rear view of the testing device of FIG. 8;

FIG. 13 is a bottom view of the testing device of FIG. 8; and,

FIG. 14 is a top perspective view of the testing device of FIG. 8 in the closed position;

The long broken lines in FIGS. 6 and 13 of the drawing represent perforation lines. All other broken lines in the drawings are included for the purpose of illustrating portions of the testing device that form no part of the claimed design.

1 Claim, 6 Drawing Sheets



US D596,753 S

Page 2

U.S. PATENT DOCUMENTS

4,486,536	A	12/1984	Baker et al.	436/66
D281,903	S *	12/1985	Duffy	D24/225
4,559,949	A	12/1985	Levine	600/371
4,645,743	A	2/1987	Baker et al.	436/66
4,789,629	A *	12/1988	Baker et al.	422/61
4,804,518	A	2/1989	Levine et al.	422/56
4,808,379	A	2/1989	Wardlaw et al.	422/56
5,064,766	A	11/1991	Wardlaw et al.	436/66
5,100,619	A	3/1992	Baker et al.	422/58
5,106,582	A	4/1992	Baker	422/58
5,150,971	A	9/1992	Strong et al.	383/84
5,171,529	A	12/1992	Schreiber	422/58
5,192,501	A	3/1993	Guadagno et al.	422/56
5,196,167	A	3/1993	Guadagno et al.	436/66
5,215,713	A	6/1993	Steinbiss	422/61
5,217,874	A	6/1993	Guadagno et al.	435/28
5,264,181	A	11/1993	Schreiber	422/58
5,273,888	A *	12/1993	Guadagno	436/66
D351,475	S	10/1994	Gerber	D24/223
5,411,893	A *	5/1995	Eden et al.	436/165
D383,215	S *	9/1997	Levy	D24/225
5,702,913	A	12/1997	Guadagno	435/28
5,747,344	A	5/1998	Cleator	436/66
5,747,351	A	5/1998	Hemmati	436/514
5,948,687	A	9/1999	Cleator	436/66
6,006,911	A *	12/1999	Levy	206/456
D423,110	S *	4/2000	Cipkowski	D24/225
D430,303	S *	8/2000	Cipkowski	D24/225
6,221,678	B1	4/2001	Chandler	436/530
6,271,046	B1	8/2001	Chandler	436/530
6,436,714	B1	8/2002	Clawson et al.	436/66
7,189,356	B1 *	3/2007	Clawson	422/56
7,288,413	B2 *	10/2007	Goulden	436/66
2004/0053417	A1 *	3/2004	Sinsky et al.	436/163

FOREIGN PATENT DOCUMENTS

WO	WO 90/03927	4/1990
WO	WO 90/13819	11/1990
WO	WO 00/54029	9/2000

OTHER PUBLICATIONS

Website: www.insuretest.com, undated.

* cited by examiner

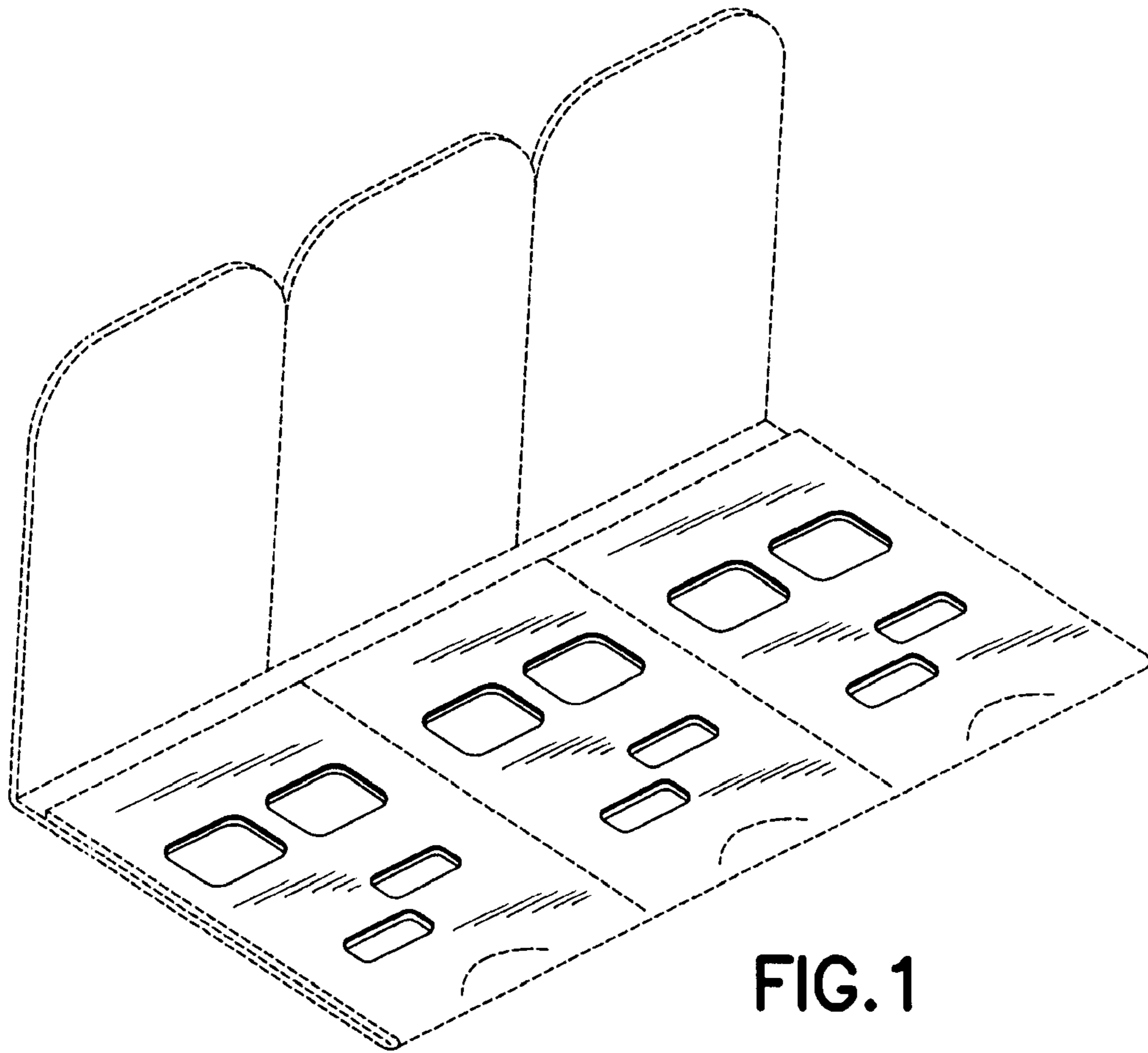


FIG. 1

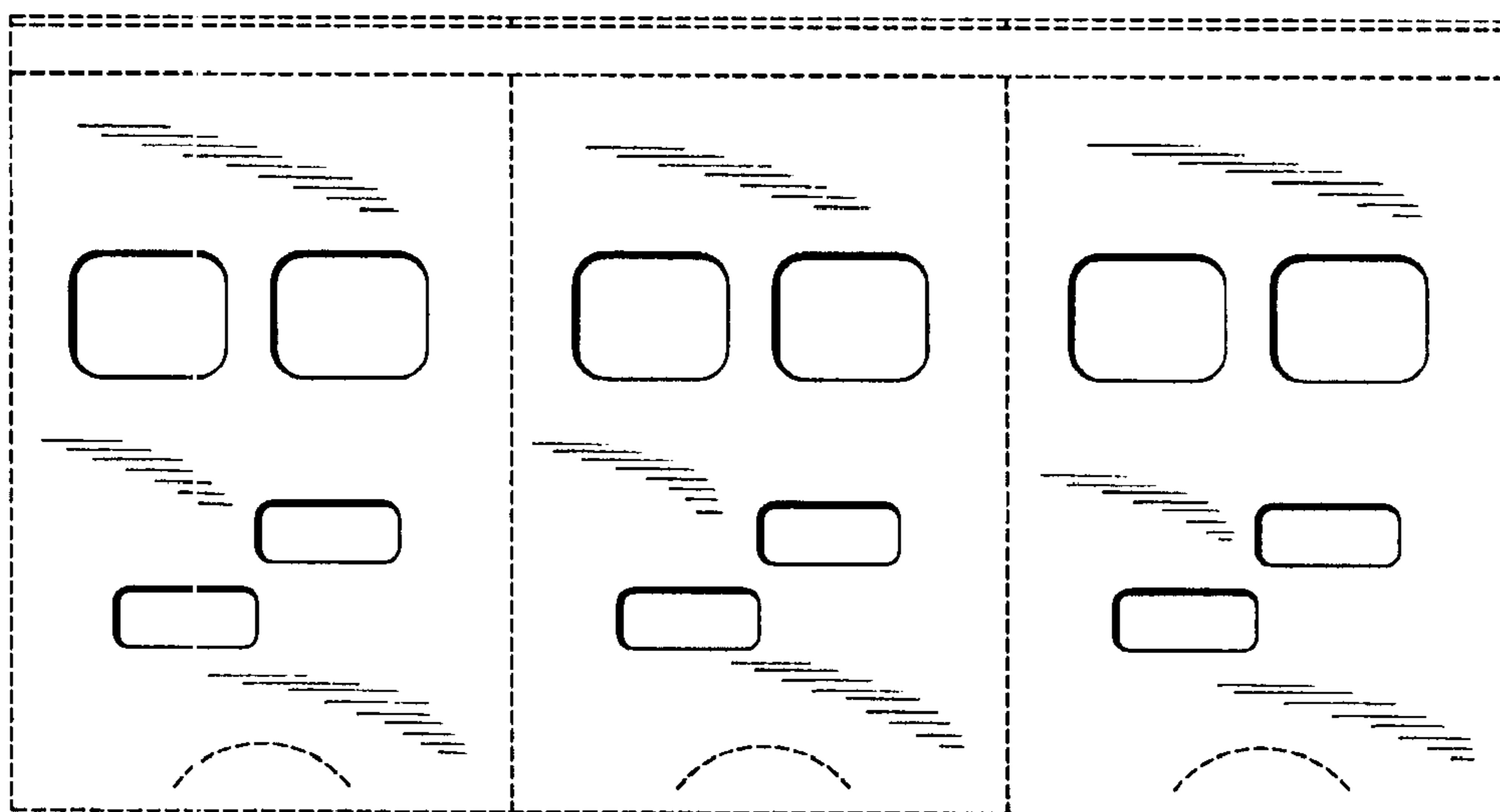


FIG. 2

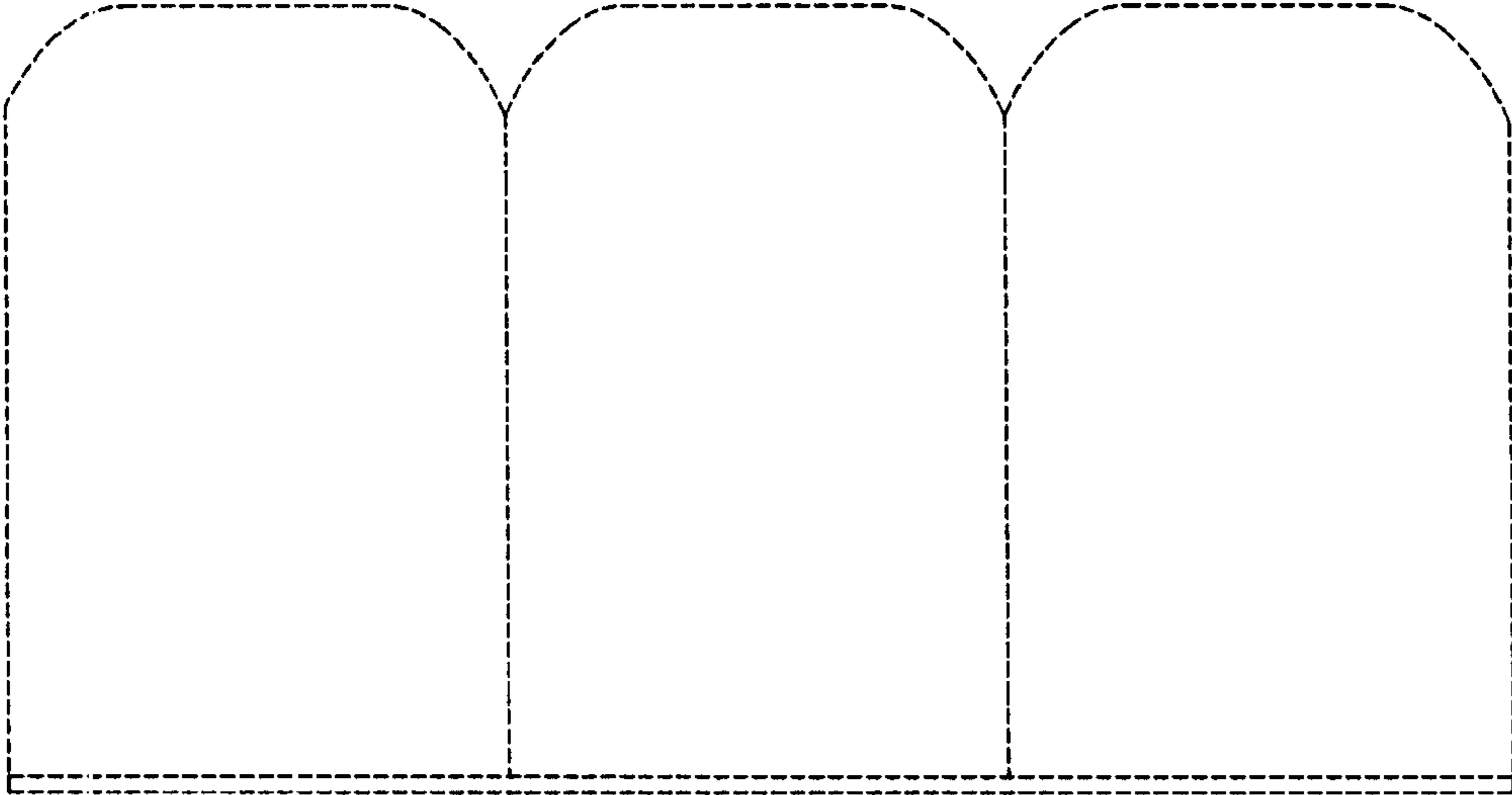


FIG.3

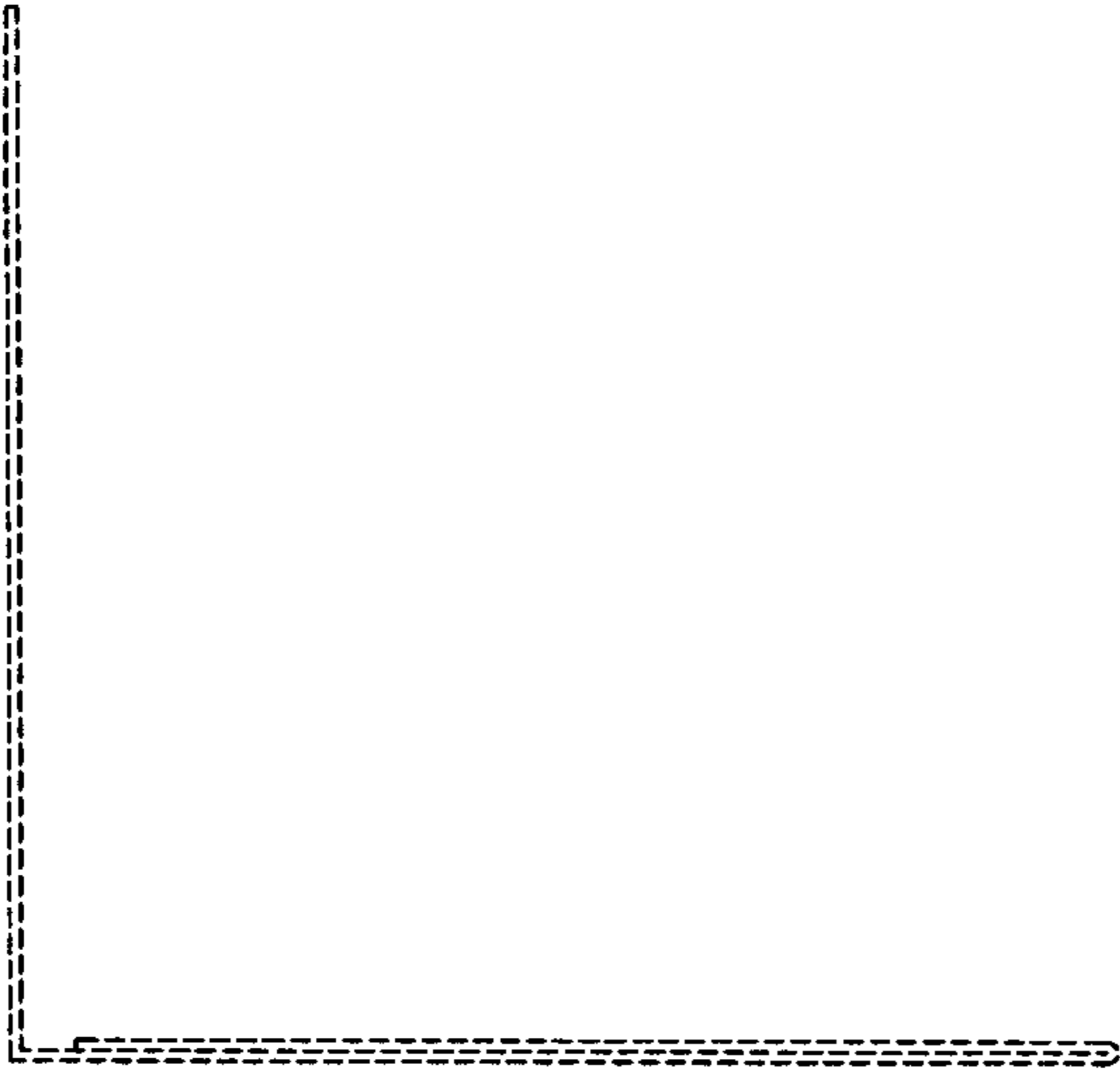


FIG.4

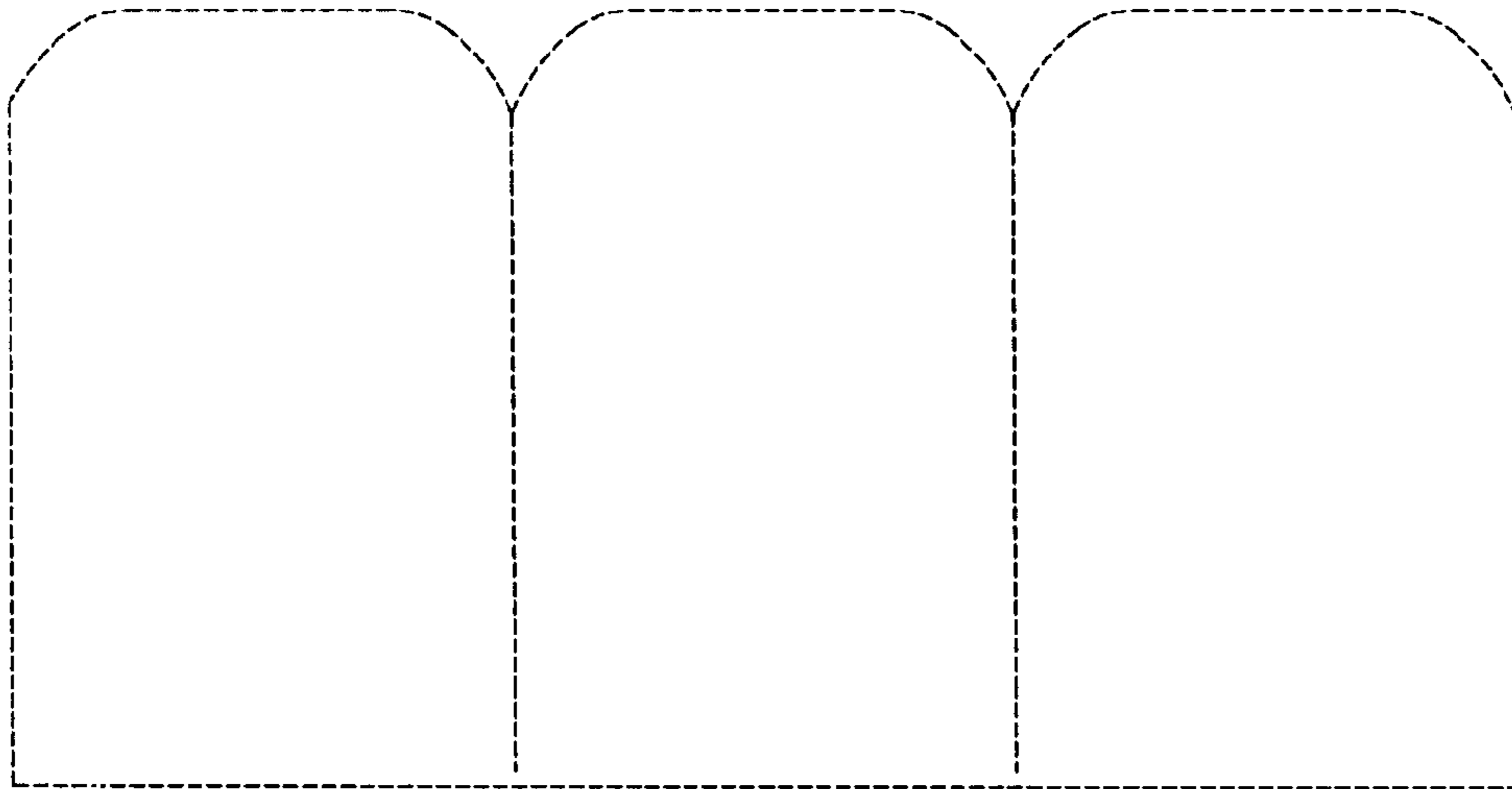


FIG. 5

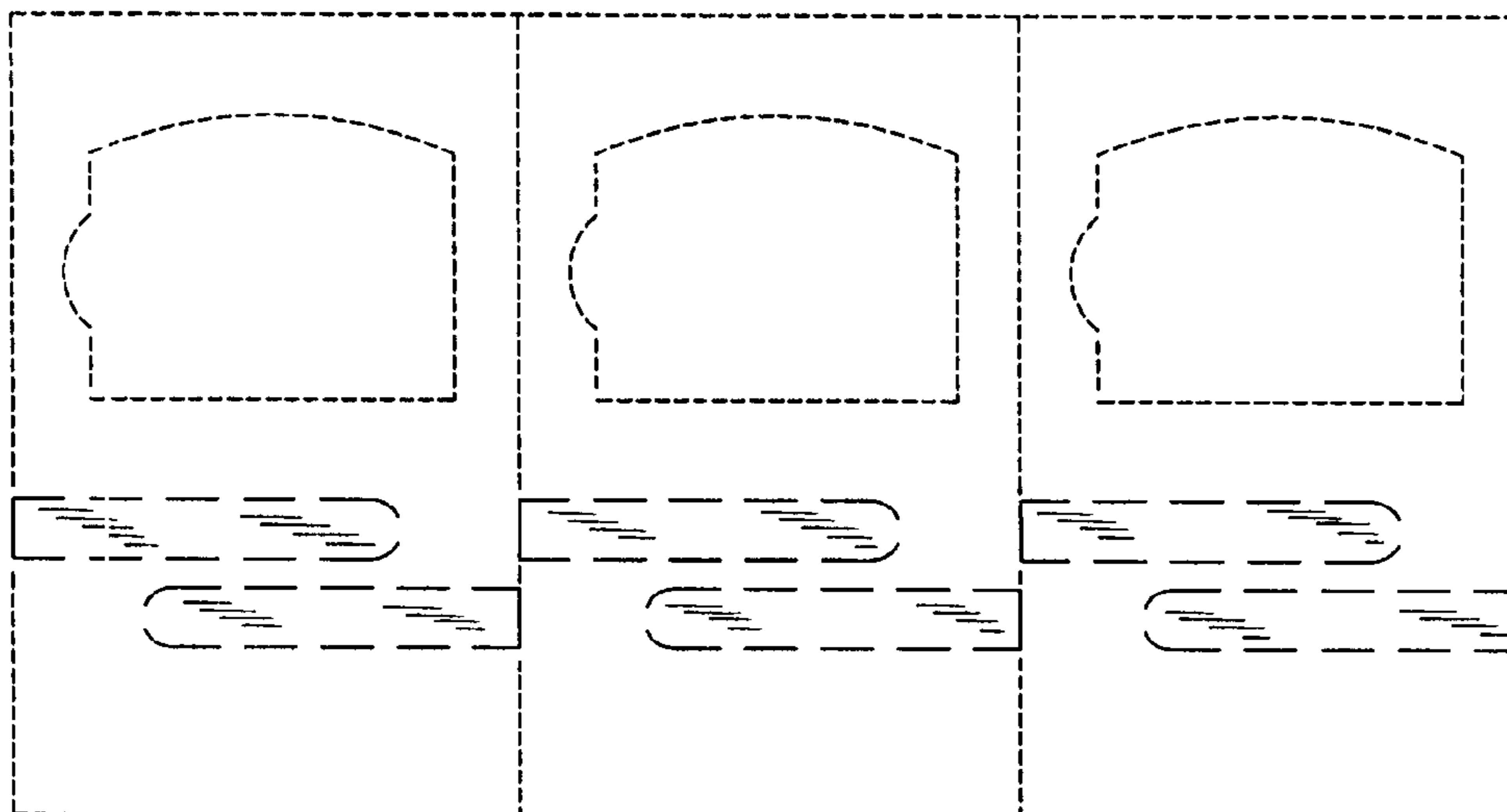


FIG. 6

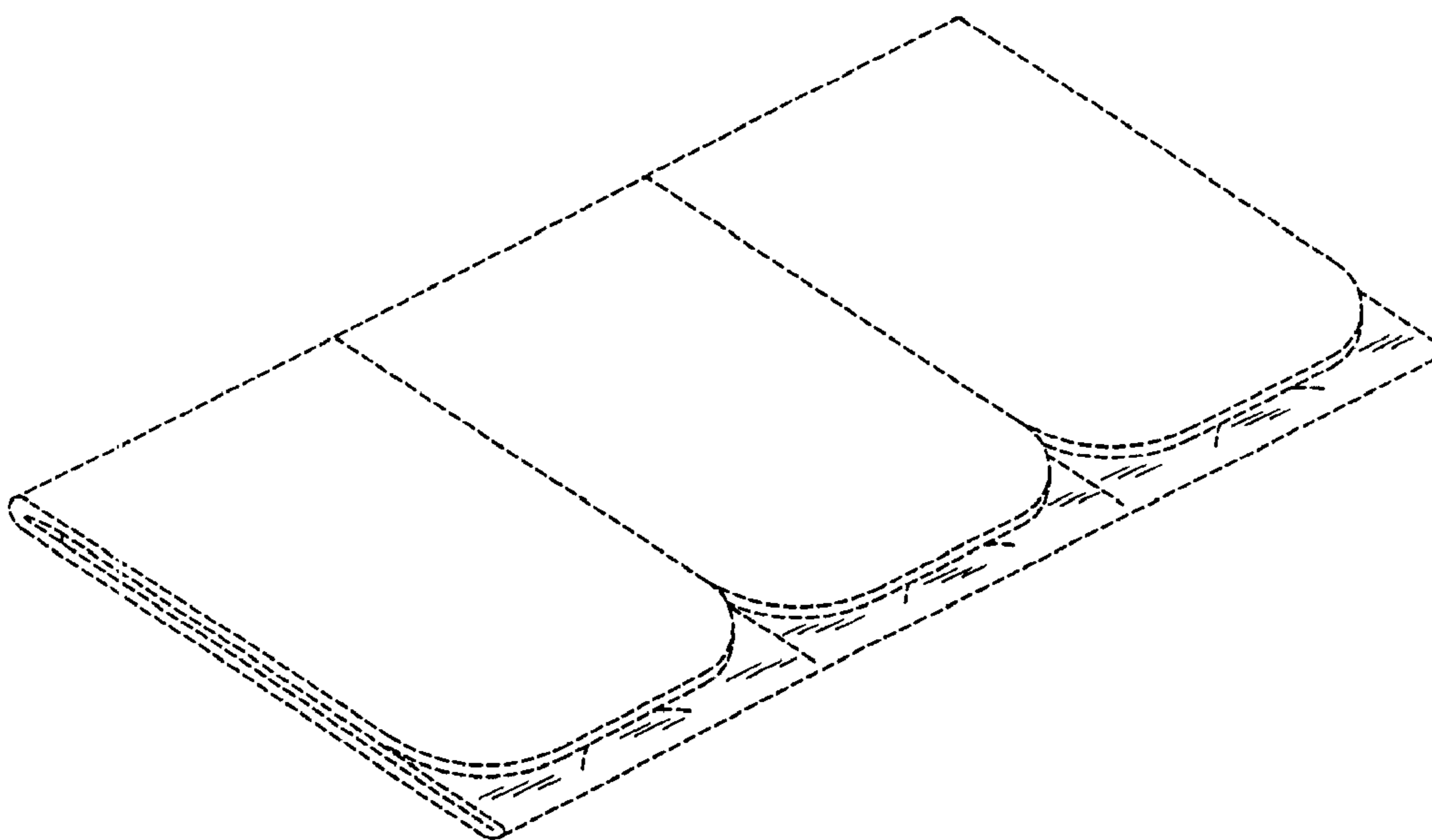


FIG.7

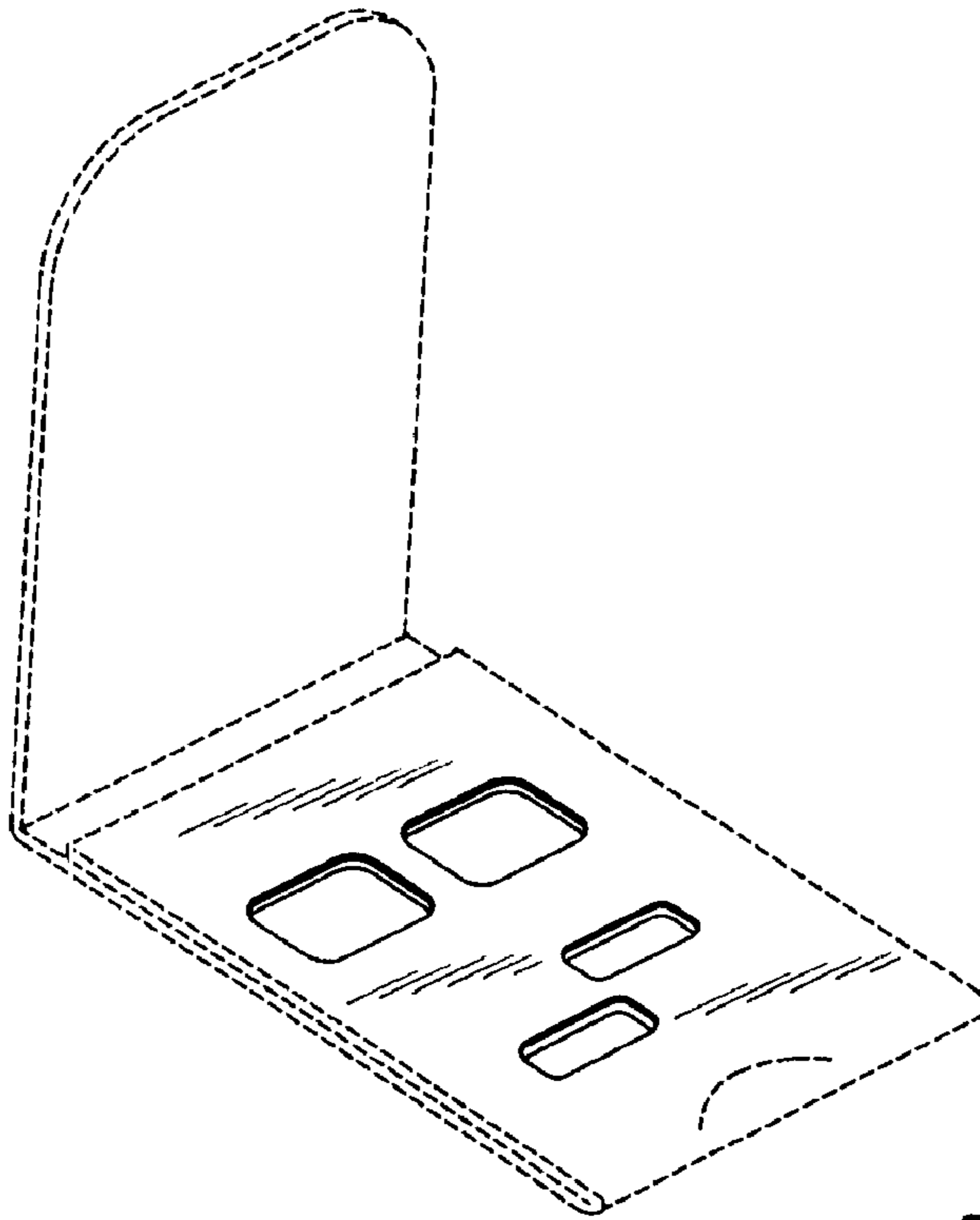


FIG. 8

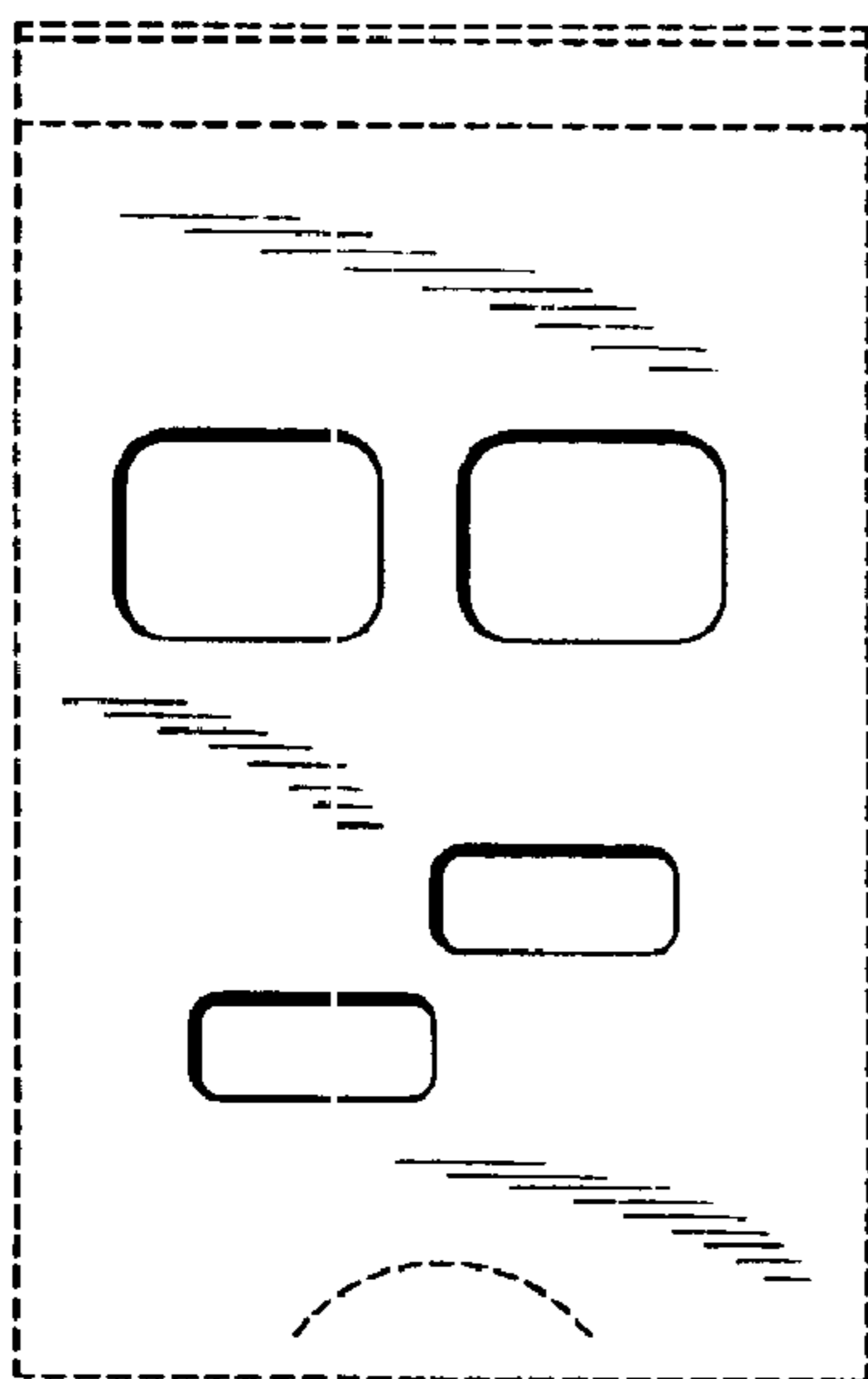


FIG. 9

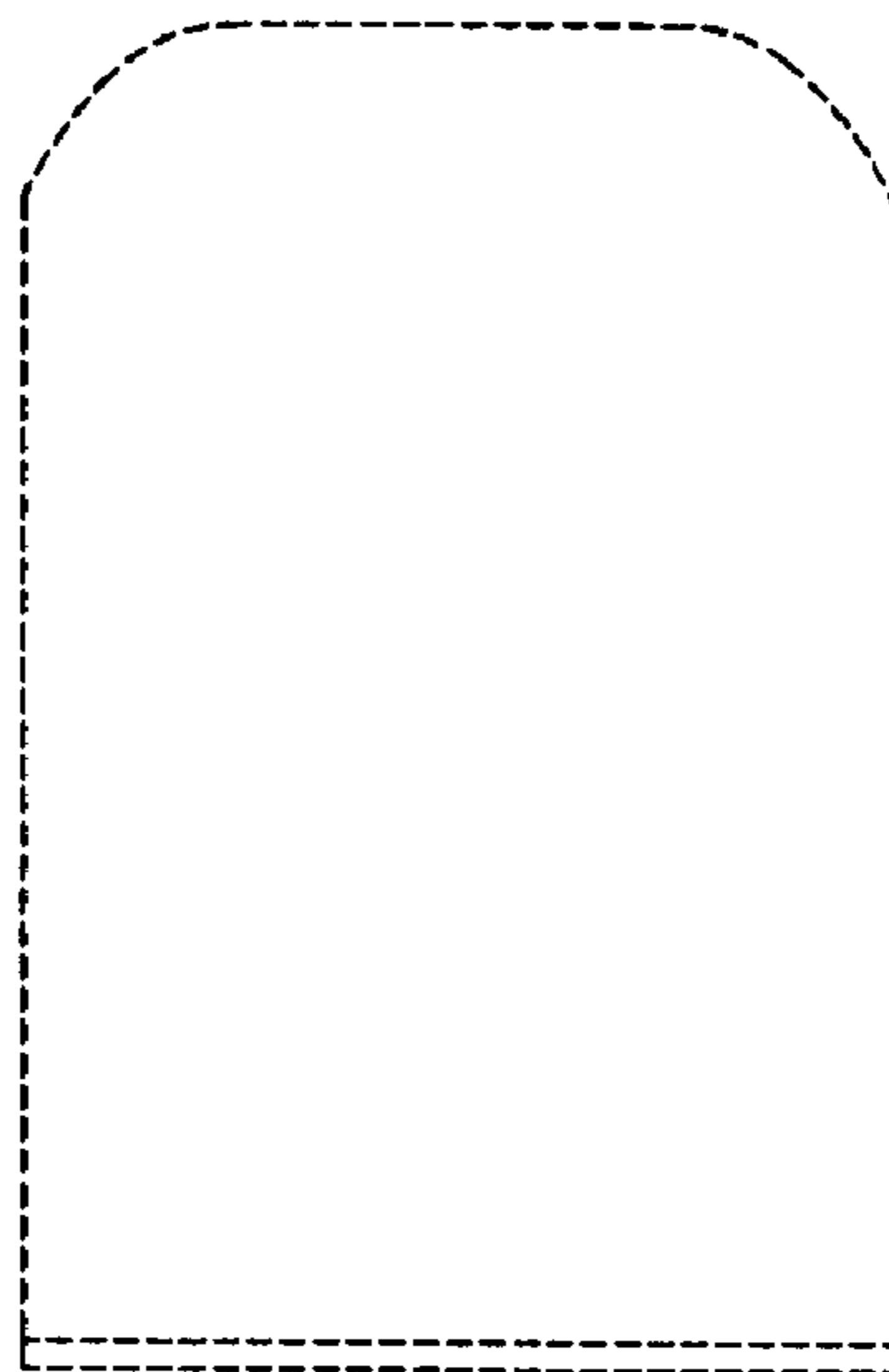


FIG. 10

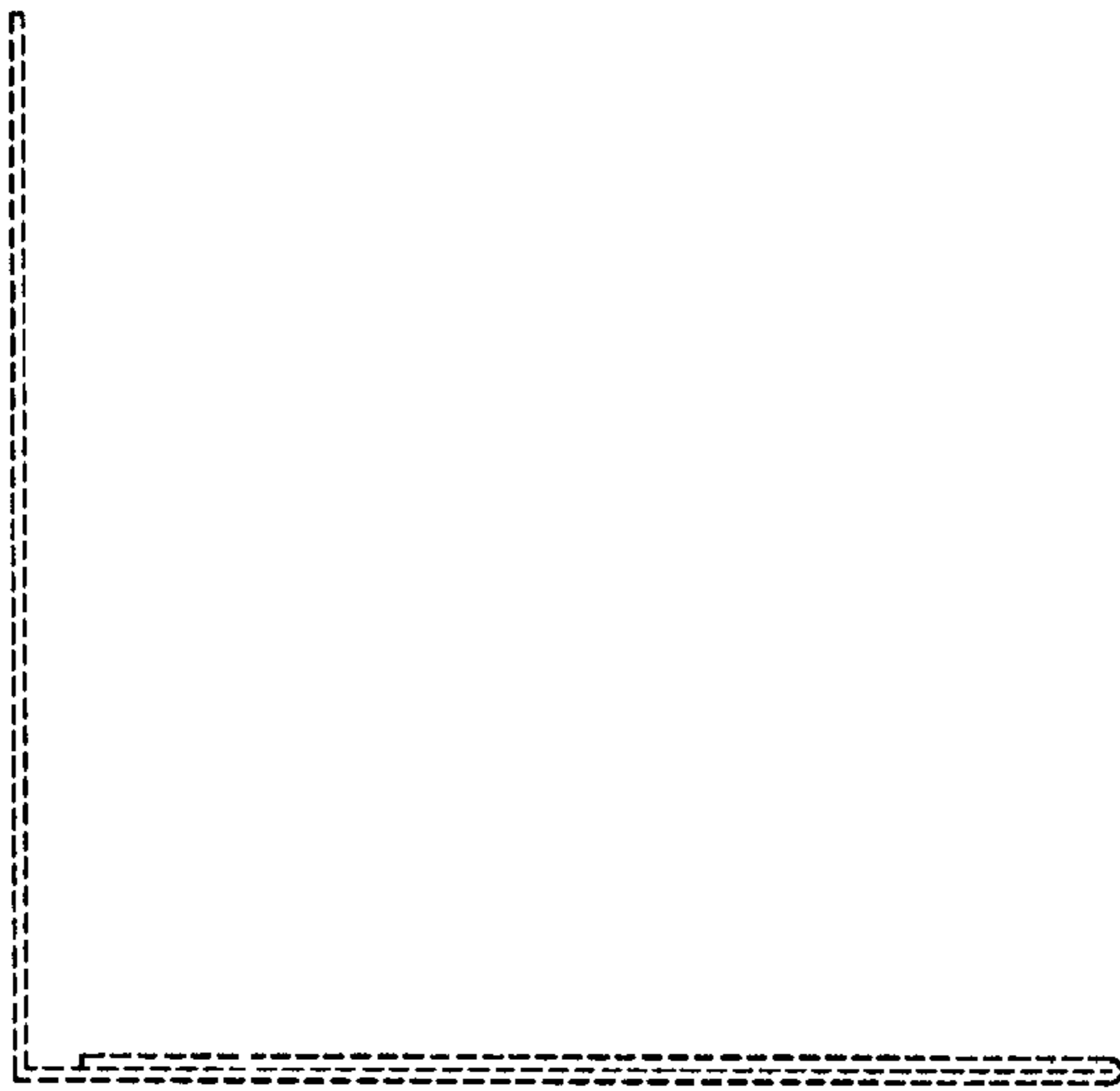


FIG. 11

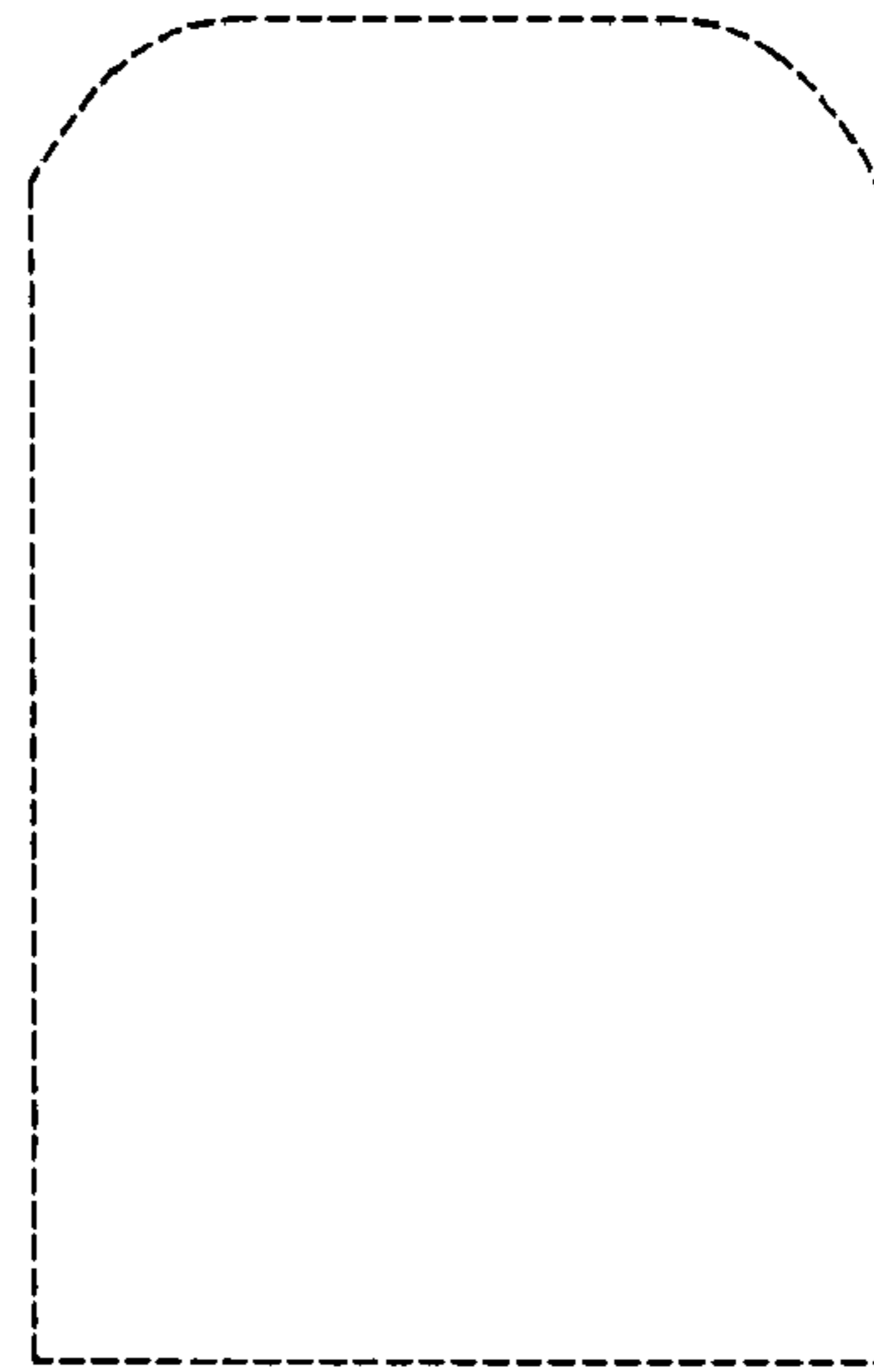


FIG. 12

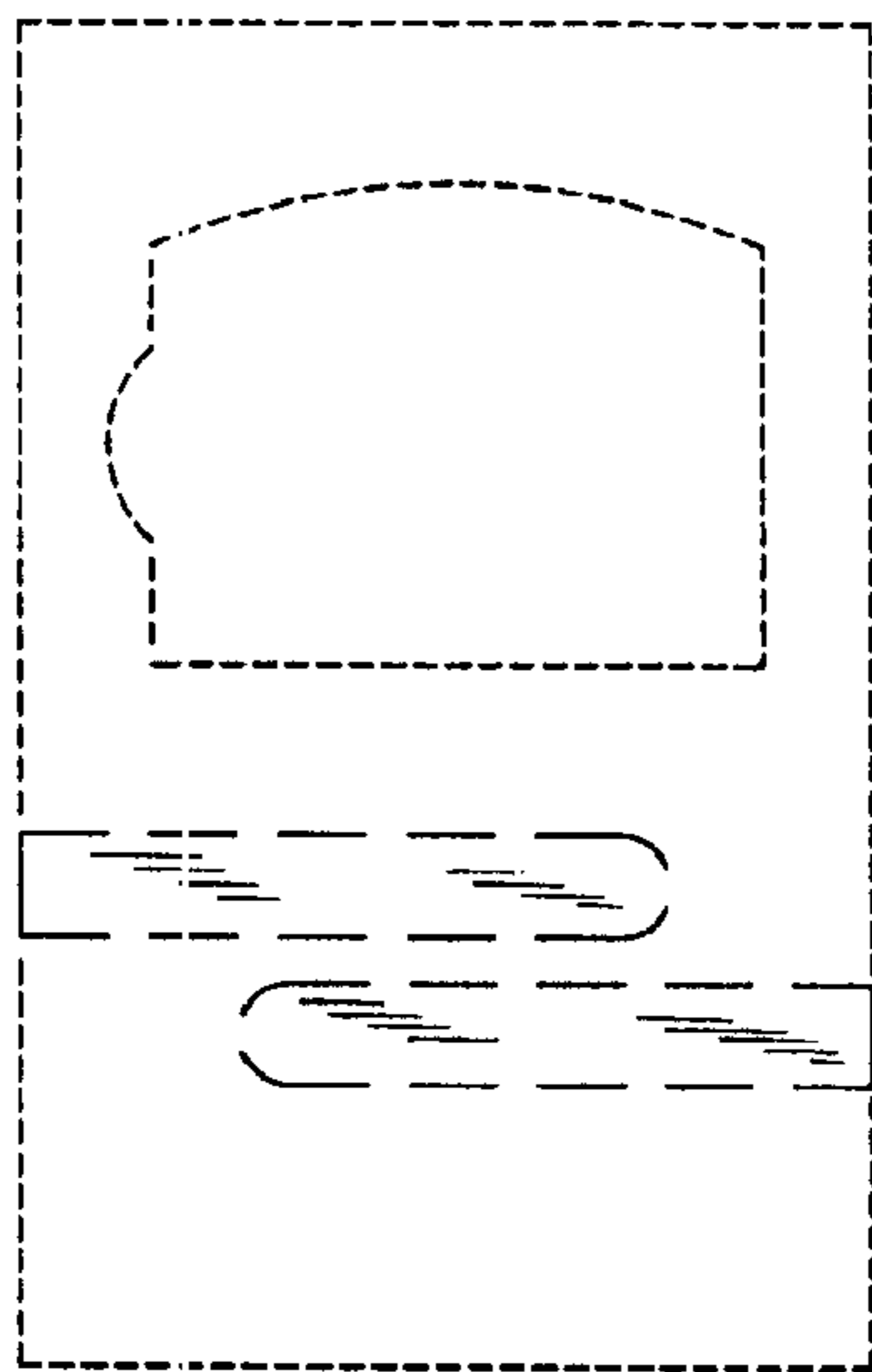


FIG. 13

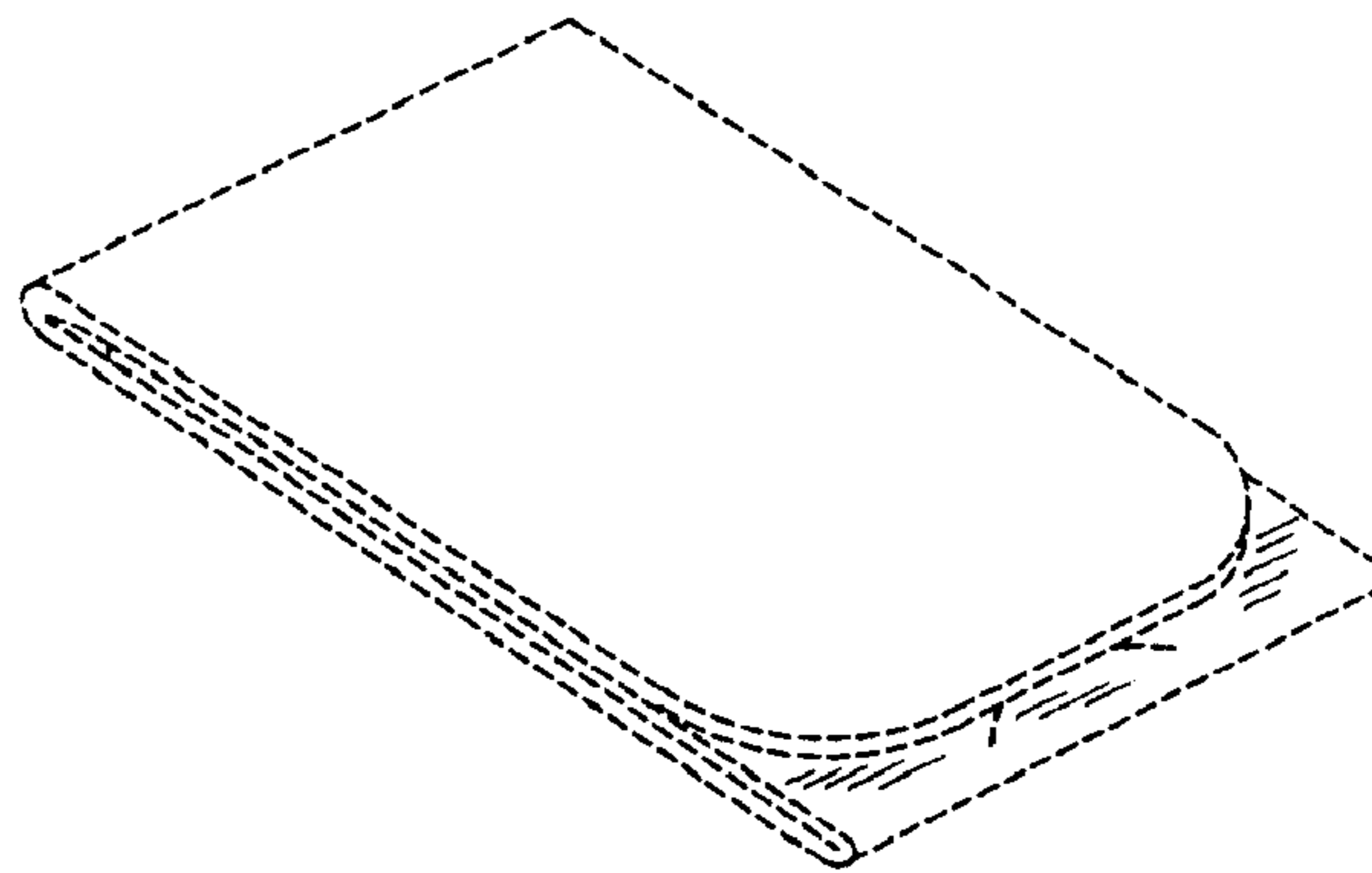


FIG. 14