



US00D596748S

(12) **United States Design Patent**
Oberreiter et al.

(10) **Patent No.:** **US D596,748 S**

(45) **Date of Patent:** **** Jul. 21, 2009**

(54) **LIGHT-EMITTING THERAPEUTIC DEVICE**

(75) Inventors: **Richard Oberreiter**, Newport Beach, CA (US); **James Harry Kraushaar**, Newport Beach, CA (US); **James Edward Pereyra**, Coto De Caza, CA (US); **Andres Dandler**, Newport Coast, CA (US)

(73) Assignee: **CLRS Technology Corporation**, Costa Mesa, CA (US)

(**) Term: **14 Years**

(21) Appl. No.: **29/329,143**

(22) Filed: **Dec. 9, 2008**

(51) **LOC (9) Cl.** **28-03**

(52) **U.S. Cl.** **D24/210**

(58) **Field of Classification Search** D24/209–210,
D24/200, 133, 158; 362/800; 606/1, 7, 13;
607/1, 2, 7, 88, 90–95; D26/37

See application file for complete search history.

(56) **References Cited**

U.S. PATENT DOCUMENTS

D400,258 S	*	10/1998	Bolleter	D24/210
D432,659 S	*	10/2000	Bolleter	D24/210
D513,335 S	*	12/2005	Lee	D26/37
D519,214 S	*	4/2006	Lansohn	D24/210
D519,234 S	*	4/2006	Lee	D26/37
D540,947 S	*	4/2007	Jung et al.	D24/167
D549,863 S	*	8/2007	Garrity	D26/37
D569,987 S		5/2008	Oberreiter et al.		
2008/0140164 A1		6/2008	Oberreiter et al.		

OTHER PUBLICATIONS

U.S. Appl. No. 29/318,385, filed May 19, 2008.

* cited by examiner

Primary Examiner—Cathron C Brooks

Assistant Examiner—Melanie Levy

(74) *Attorney, Agent, or Firm*—Knobbe Martens Olson & Bear LLP

(57) **CLAIM**

The ornamental design for a light-emitting therapeutic device, as shown and described.

DESCRIPTION

The design refers to a therapeutic device for directing light to a user's skin.

FIG. 1 is a rear view of a light-emitting therapeutic device;

FIG. 2 is a front view of the light-emitting therapeutic device of FIG. 1;

FIG. 3 is a right side view of the light-emitting therapeutic device of FIG. 1, the left side view being a mirror image of the right side view;

FIG. 4 is a top view of the light-emitting therapeutic device of FIG. 1;

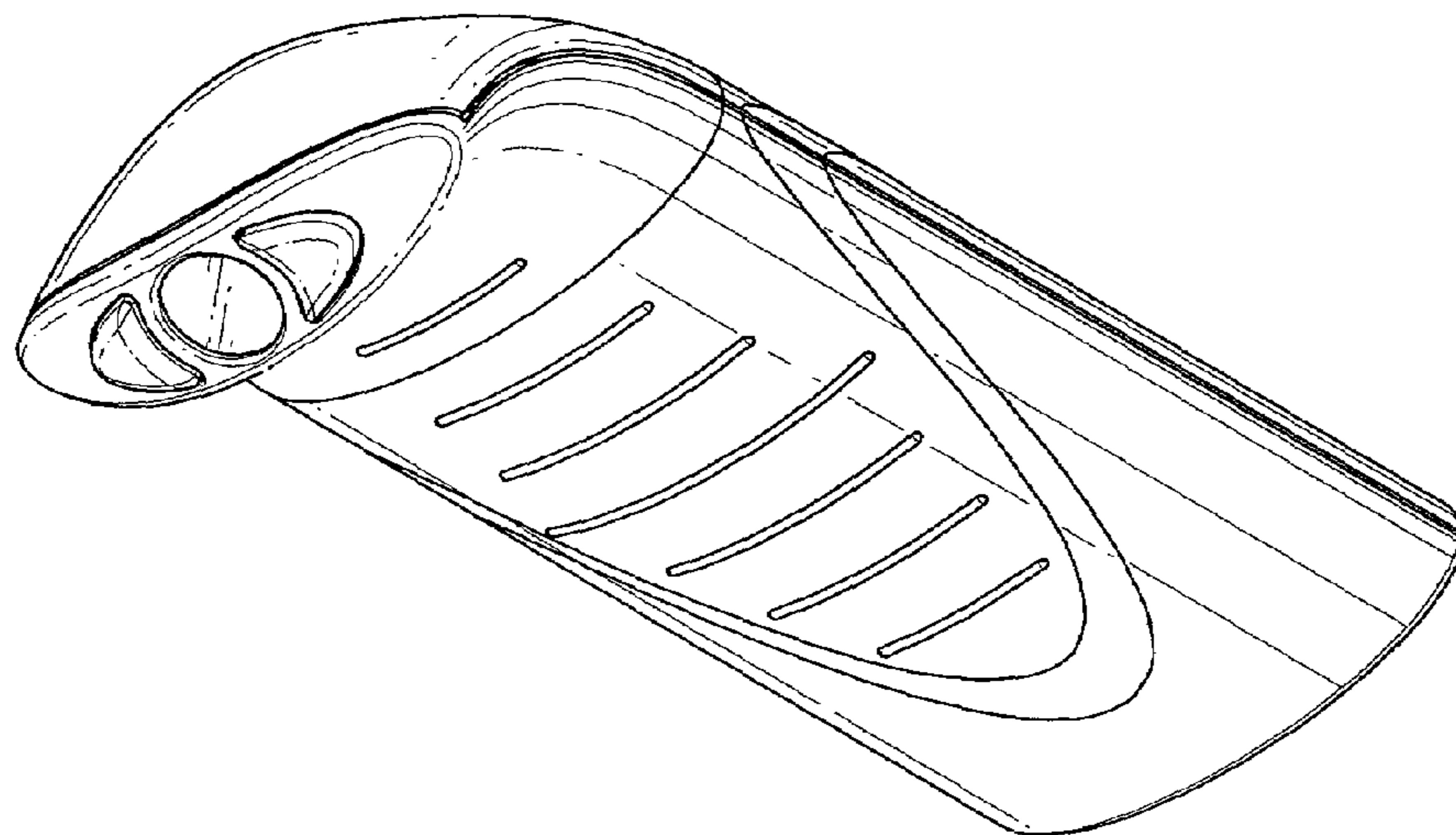
FIG. 5 is a bottom view of the light-emitting therapeutic device of FIG. 1;

FIG. 6 is a rear perspective view of the light-emitting therapeutic device of FIG. 1; and,

FIG. 7 is a front perspective view of the light-emitting therapeutic device of FIG. 1.

Broken lines, where utilized, are for illustrative purposes only and are not intended to limit the claimed design to the features shown in broken lines.

1 Claim, 4 Drawing Sheets



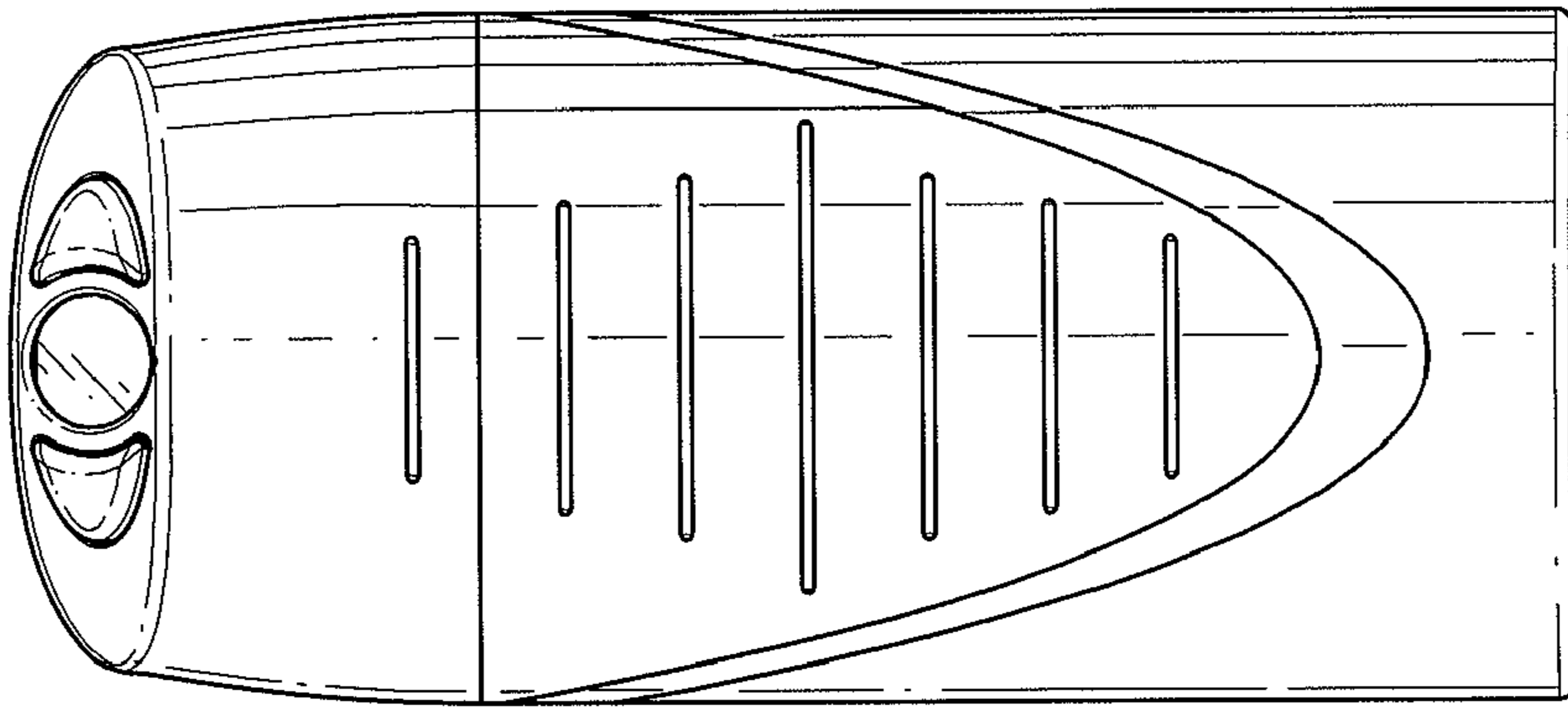


FIG. 1

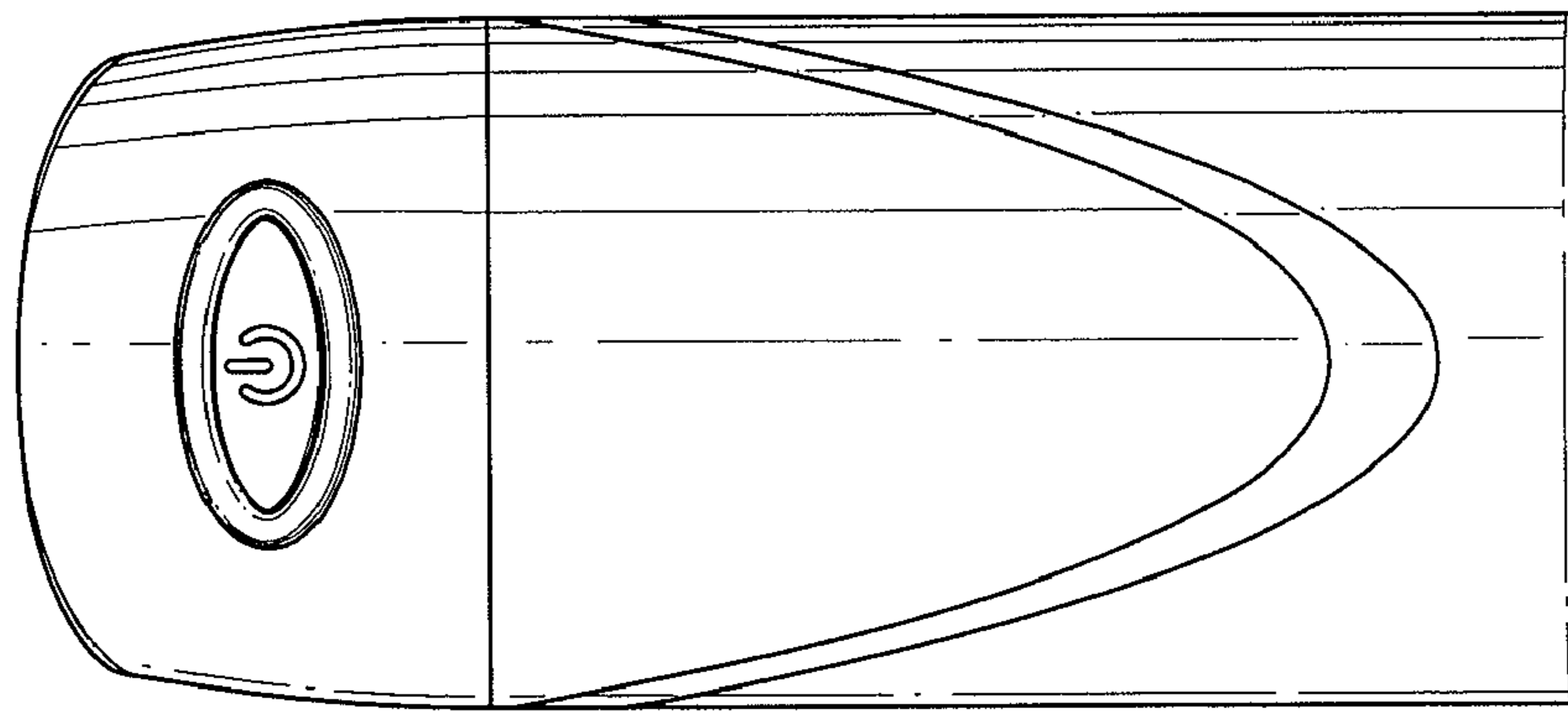


FIG. 2

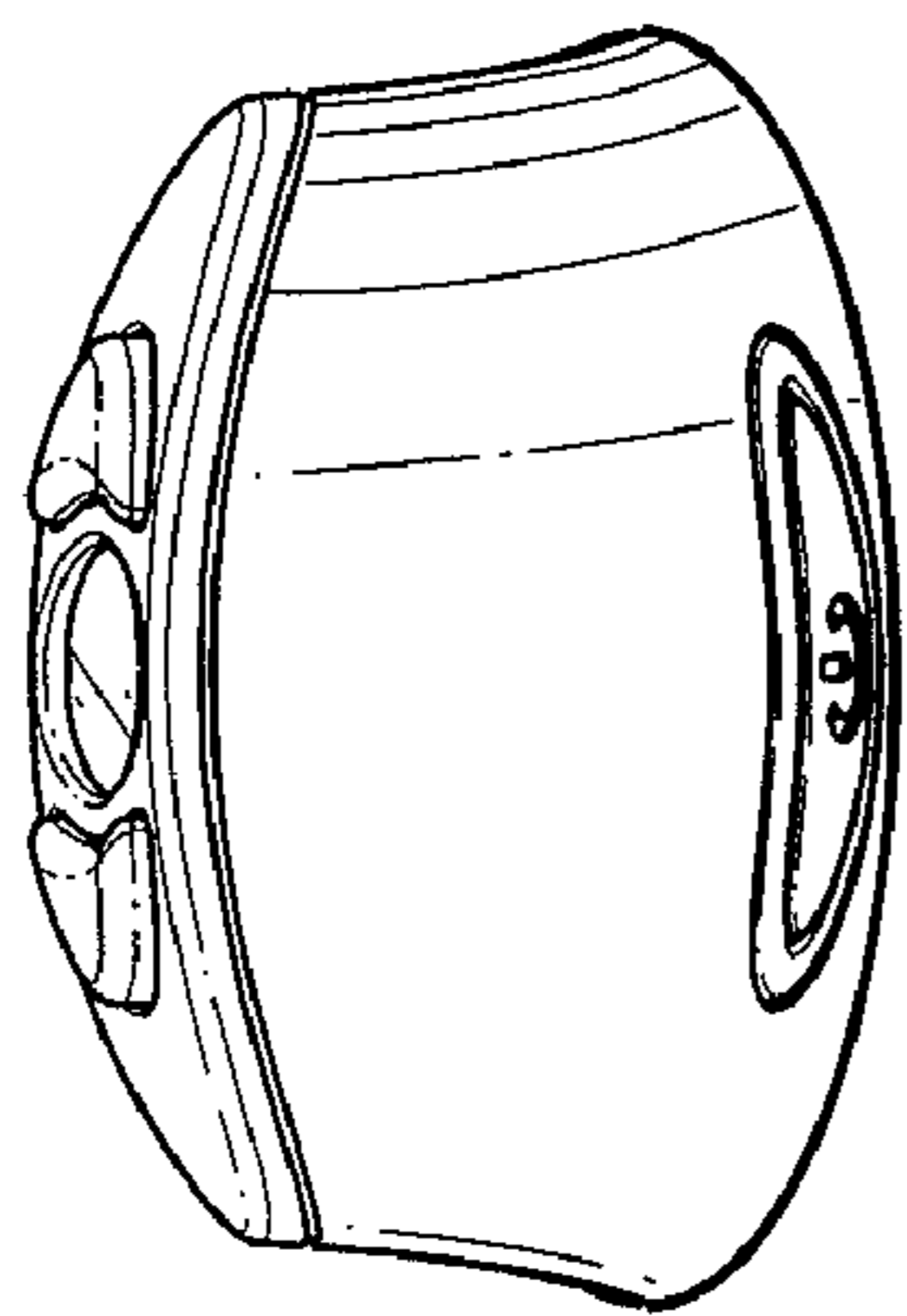


FIG. 4

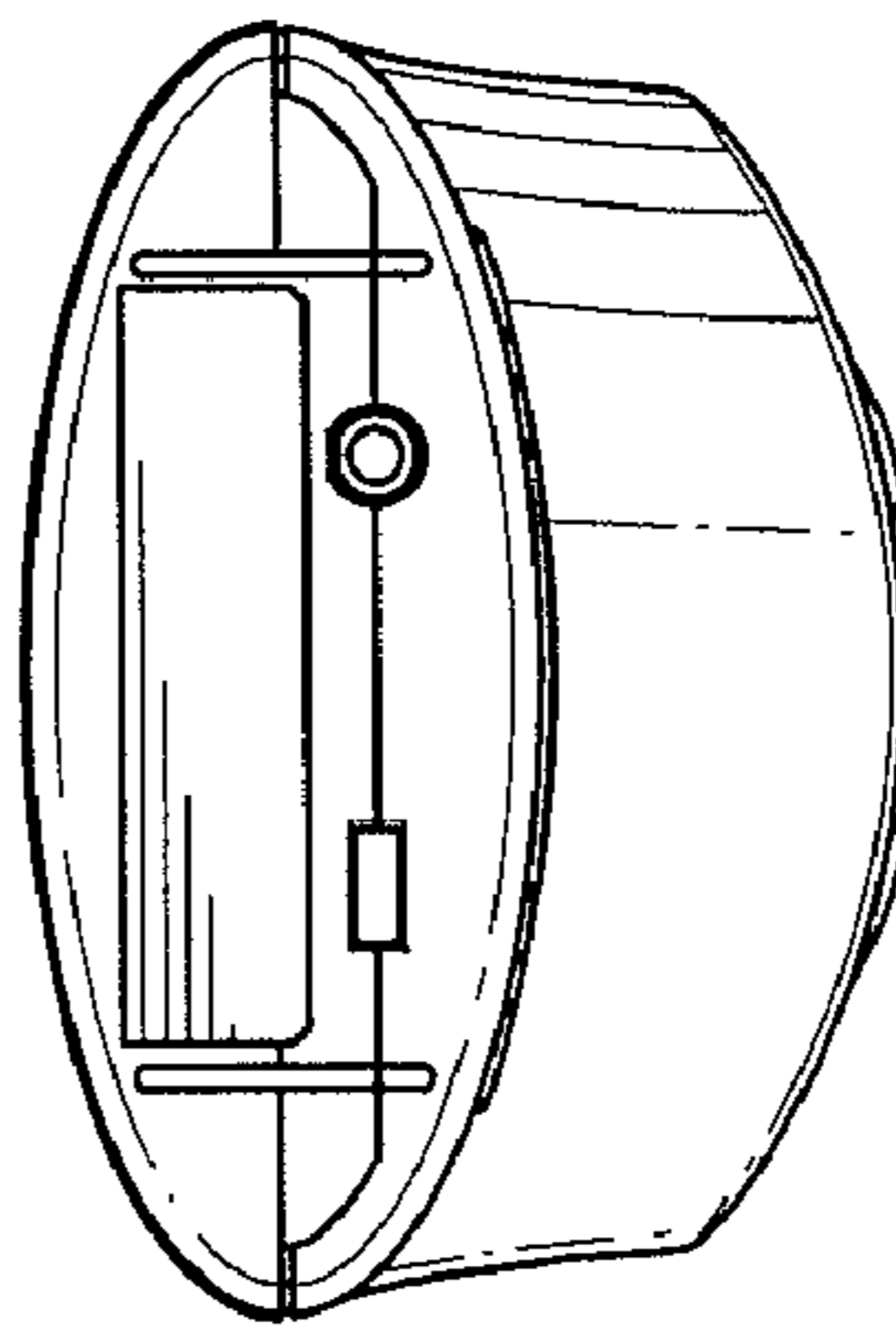


FIG. 5

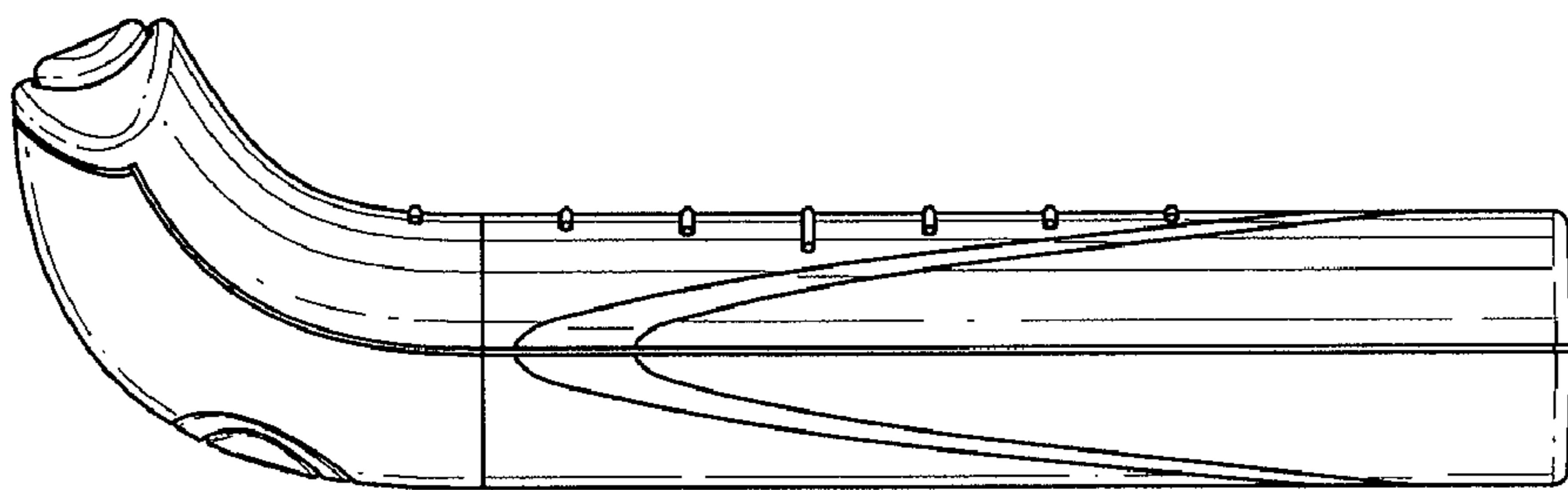


FIG. 3

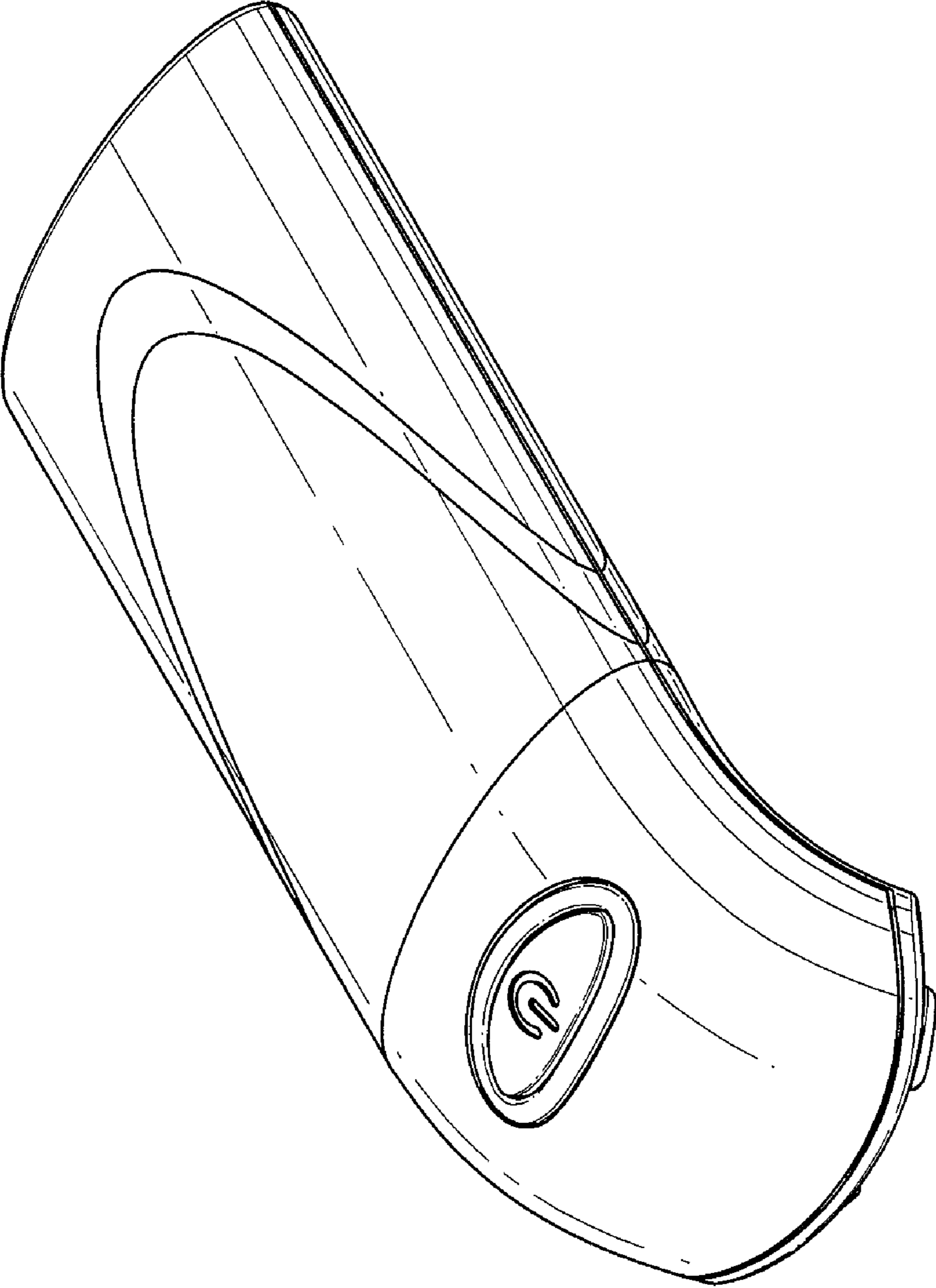


FIG. 6

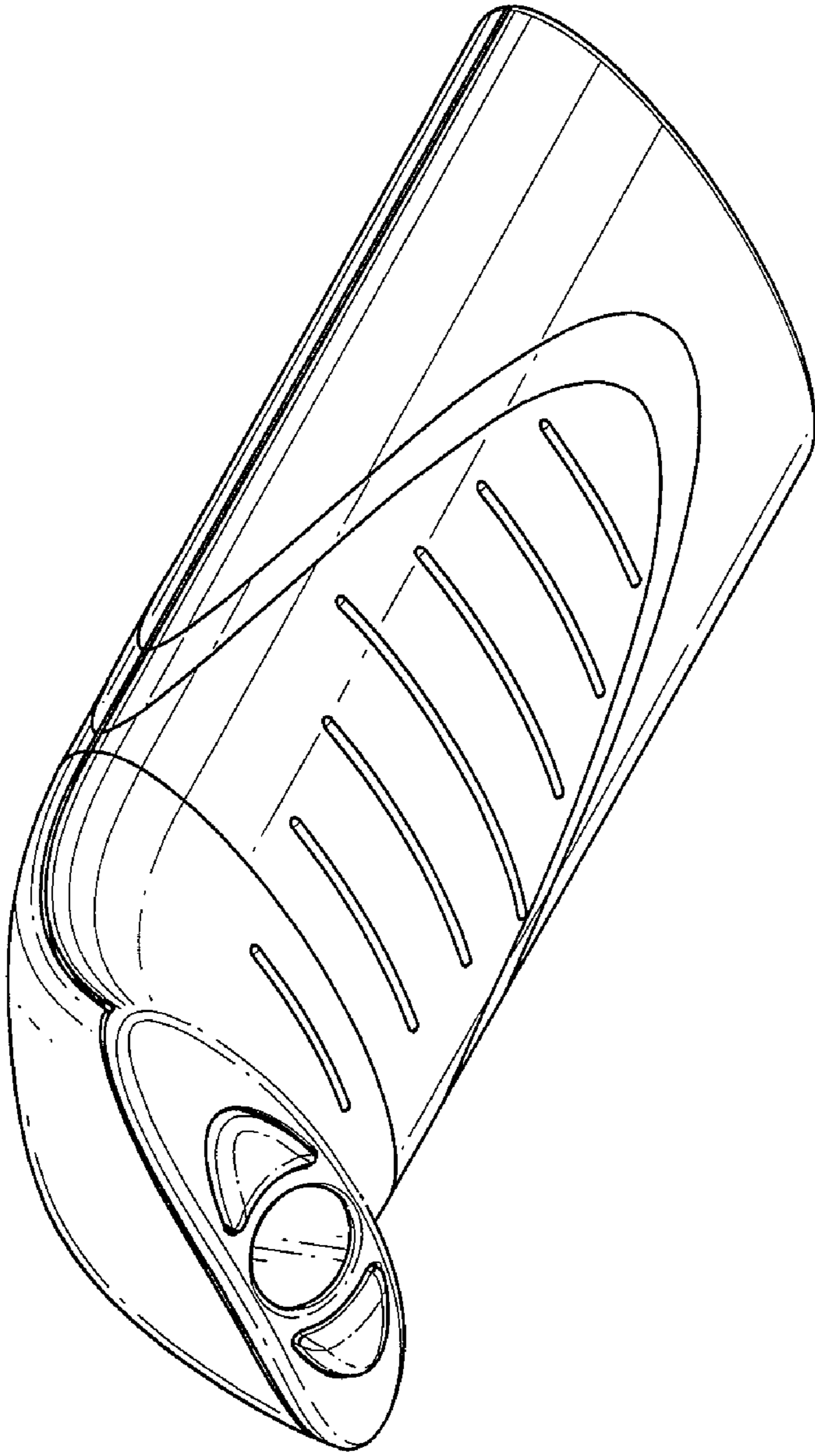


FIG. 7