



US00D596745S

(12) **United States Design Patent**
Maissami

(10) **Patent No.:** **US D596,745 S**
(45) **Date of Patent:** **** Jul. 21, 2009**

(54) **DENTAL TOOL**

(75) Inventor: **Fari Maissami**, Hinsdale, IL (US)

(73) Assignee: **Denbur, Inc.**, Westmont, IL (US)

(**) Term: **14 Years**

(21) Appl. No.: **29/321,943**

(22) Filed: **Jul. 25, 2008**

(51) **LOC (9) Cl.** **24-02**

(52) **U.S. Cl.** **D24/152**

(58) **Field of Classification Search** D24/155,
D24/156, 107, 176, 180, 181, 182, 152, 154,
D24/147; 433/173, 176, 49, 70, 168.1, 38,
433/39, 40, 47, 142, 141; D8/387, 388; D29/108,
D29/100; 128/859, 861, 862; 72/68, 299,
72/316; D4/103, 137, 199; D19/35, 66,
D19/100, 53; D28/65

See application file for complete search history.

(56) **References Cited**

U.S. PATENT DOCUMENTS

D101,325 S * 9/1936 Brown D24/147
5,088,925 A * 2/1992 Mason 433/141
D367,130 S * 2/1996 Hsu D28/65
5,525,059 A * 6/1996 Lee 433/141
D377,526 S * 1/1997 Mark D24/152
D379,230 S * 5/1997 Mark D24/152
D380,265 S * 6/1997 Mark D24/152
D381,426 S * 7/1997 Koros et al. D24/147
D405,179 S * 2/1999 Kirsch et al. D24/154
D417,277 S * 11/1999 Maissami D24/152
6,042,378 A * 3/2000 Fischer et al. 433/141

D423,100 S * 4/2000 Maissami D24/152
D436,174 S * 1/2001 Komamura D24/152
D437,459 S * 2/2001 Inaba D28/65
D456,078 S * 4/2002 Peterson et al. D24/152
D460,822 S * 7/2002 Dragan et al. D24/152
D461,247 S * 8/2002 Dragan et al. D24/152
D462,444 S * 9/2002 Maissami D24/152
6,821,121 B2 * 11/2004 Rosen 433/142

OTHER PUBLICATIONS

Co-Pending U.S. Appl. No. 12/181,148, Dental Device, filed Jul. 28, 2008.

Co-Pending U.S. Appl. No. 29/321,943, Dental Tool, filed Jul. 25, 2008.

* cited by examiner

Primary Examiner—Charles A Rademaker

(74) *Attorney, Agent, or Firm*—Pauley Petersen & Erickson

(57) **CLAIM**

The ornamental design for a dental tool, as shown.

DESCRIPTION

FIG. 1 is a side perspective view of a dental tool showing my new design;

FIG. 2 is a side elevation thereof;

FIG. 3 is a side elevation of the side opposite that shown in FIG. 2;

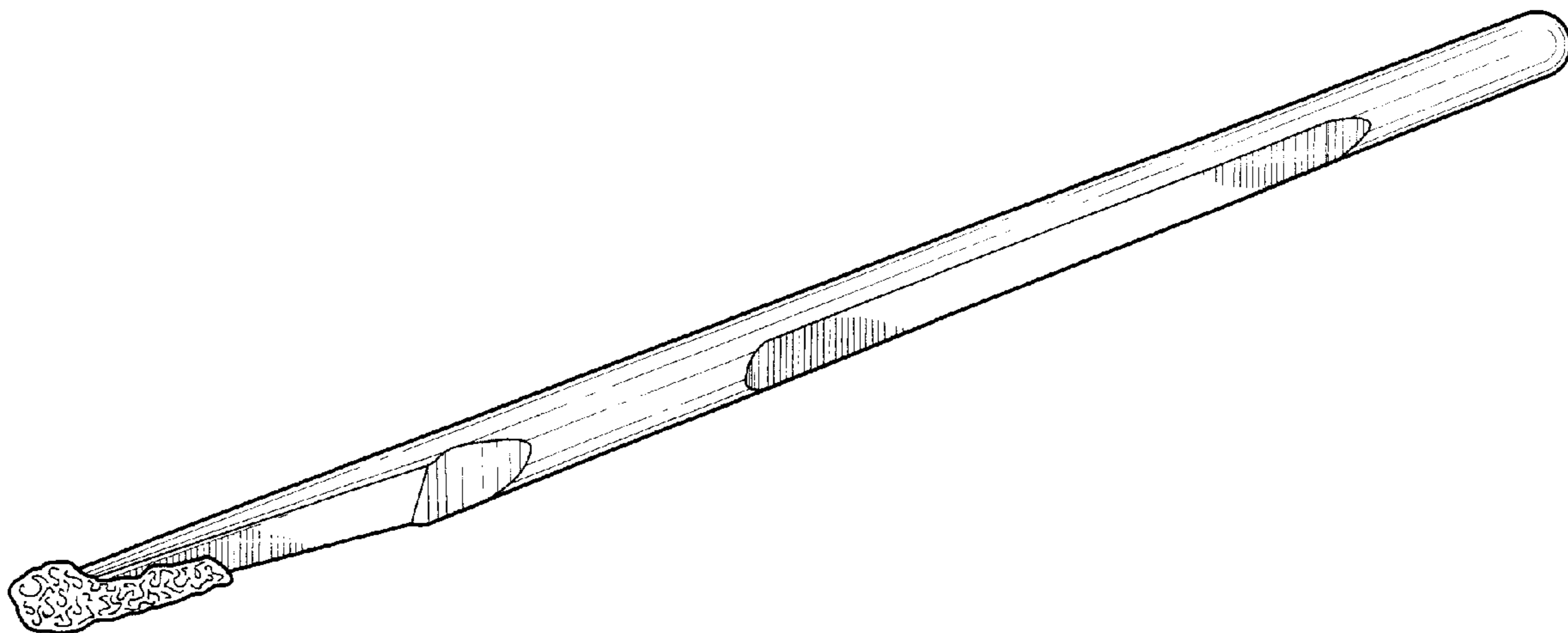
FIG. 4 is a top plan view thereof;

FIG. 5 is a bottom plan view thereof;

FIG. 6 is a front elevation thereof; and,

FIG. 7 is a rear elevation thereof.

1 Claim, 2 Drawing Sheets



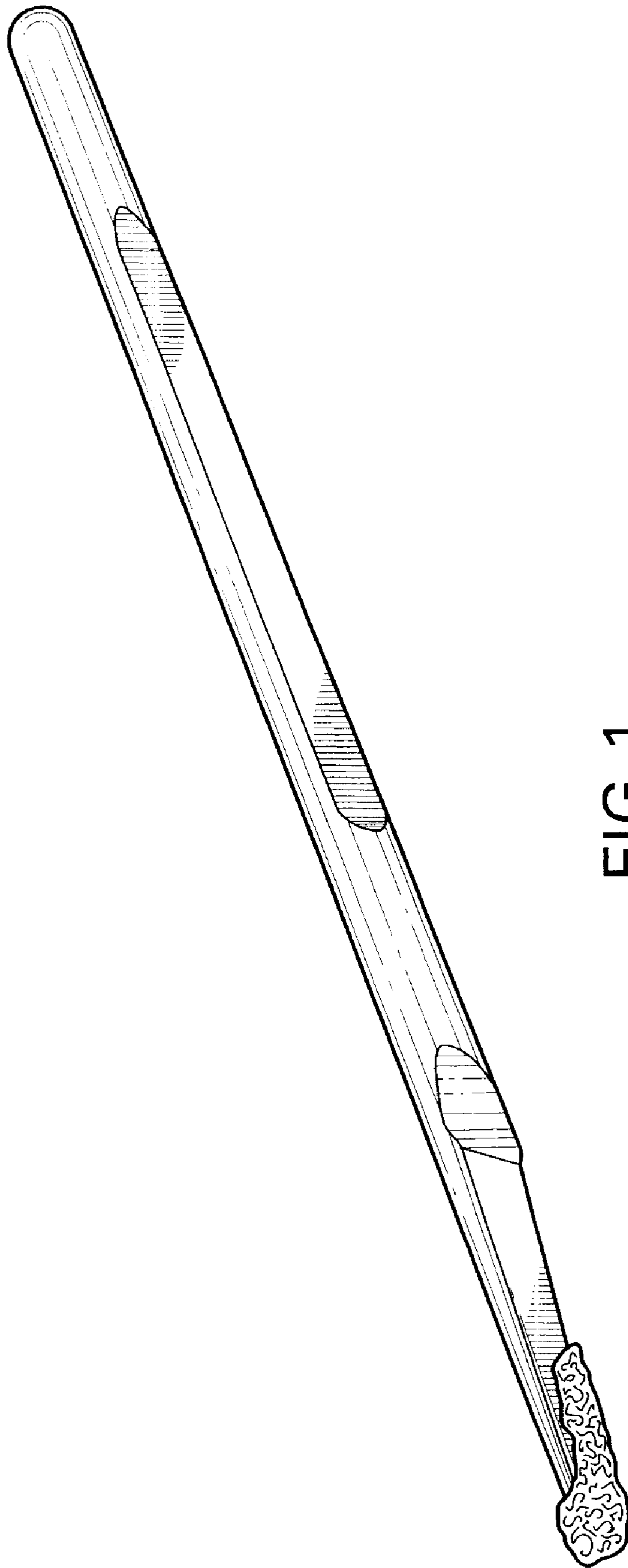


FIG. 1

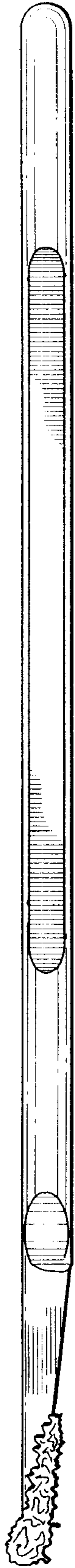


FIG. 2

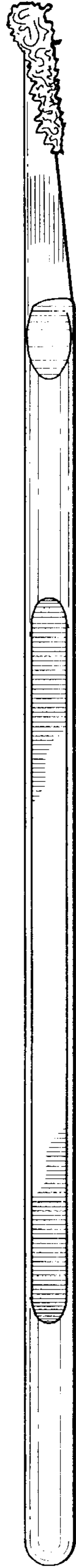


FIG. 3

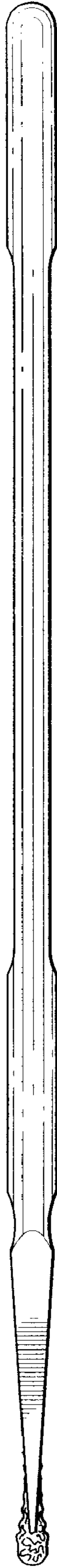


FIG. 4



FIG. 5



FIG. 6



FIG. 7