



US00D596742S

(12) **United States Design Patent**  
**McNeil**

(10) **Patent No.:** **US D596,742 S**  
(45) **Date of Patent:** **\*\* Jul. 21, 2009**

(54) **SURGICAL INSTRUMENT FOR  
HYPERTENSION PNEUMOTHORAX**

2008/0312638 A1\* 12/2008 McNeil ..... 604/513

**FOREIGN PATENT DOCUMENTS**

(75) Inventor: **Donald I. McNeil**, West Sussex (GB)  
(73) Assignee: **Medical Device Innovations Ltd.**,  
Halton (GB)

EP 0 943 356 9/1999  
WO 93/00943 1/1993  
WO 99/55407 11/1999  
WO 2006/090148 8/2006

(\*\*) Term: **14 Years**

**OTHER PUBLICATIONS**

(21) Appl. No.: **29/250,969**

International Search Report for International Application No. PCT/  
GB2006/000626 dated Apr. 12, 2006 and dated Apr. 25, 2006.

(22) Filed: **Dec. 7, 2006**

\* cited by examiner

(30) **Foreign Application Priority Data**

Jun. 7, 2006 (EM) ..... 000545546-0001  
Jun. 7, 2006 (EM) ..... 000545546-0002

*Primary Examiner*—Ian Simmons  
*Assistant Examiner*—Wan Laymon  
(74) *Attorney, Agent, or Firm*—Marshall, Gerstein & Borun  
LLP

(51) **LOC (9) Cl.** ..... **24-02**

(57) **CLAIM**

(52) **U.S. Cl.** ..... **D24/146; D24/147**

The ornamental design for a surgical instrument for hyper-  
tension pneumothorax, as shown and described.

(58) **Field of Classification Search** ..... D24/146–147,  
D24/140, 112, 114, 133, 144; 600/564, 210,  
600/566–567; 606/41, 45, 49, 99; 604/164.02,  
604/165.01, 165.02

**DESCRIPTION**

See application file for complete search history.

FIG. 1 is a perspective view of a surgical instrument for  
hypertension pneumothorax showing my new design;  
FIG. 2 is a left side elevational view thereof;  
FIG. 3 is a right side elevational view thereof;  
FIG. 4 is a front elevational view thereof;  
FIG. 5 is a rear elevational view thereof;  
FIG. 6 is top plan view thereof; and,  
FIG. 7 is a bottom plan view thereof.

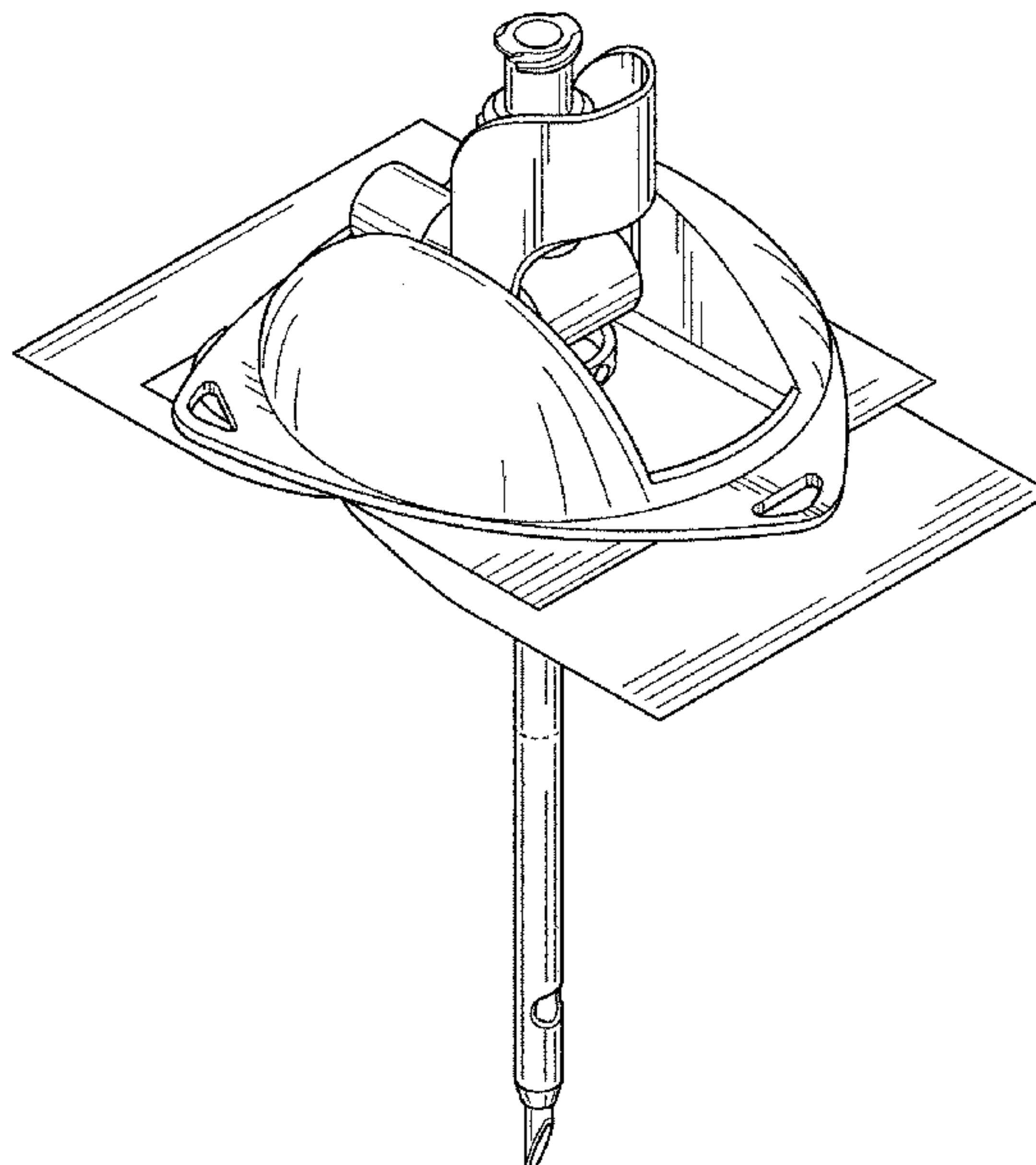
(56) **References Cited**

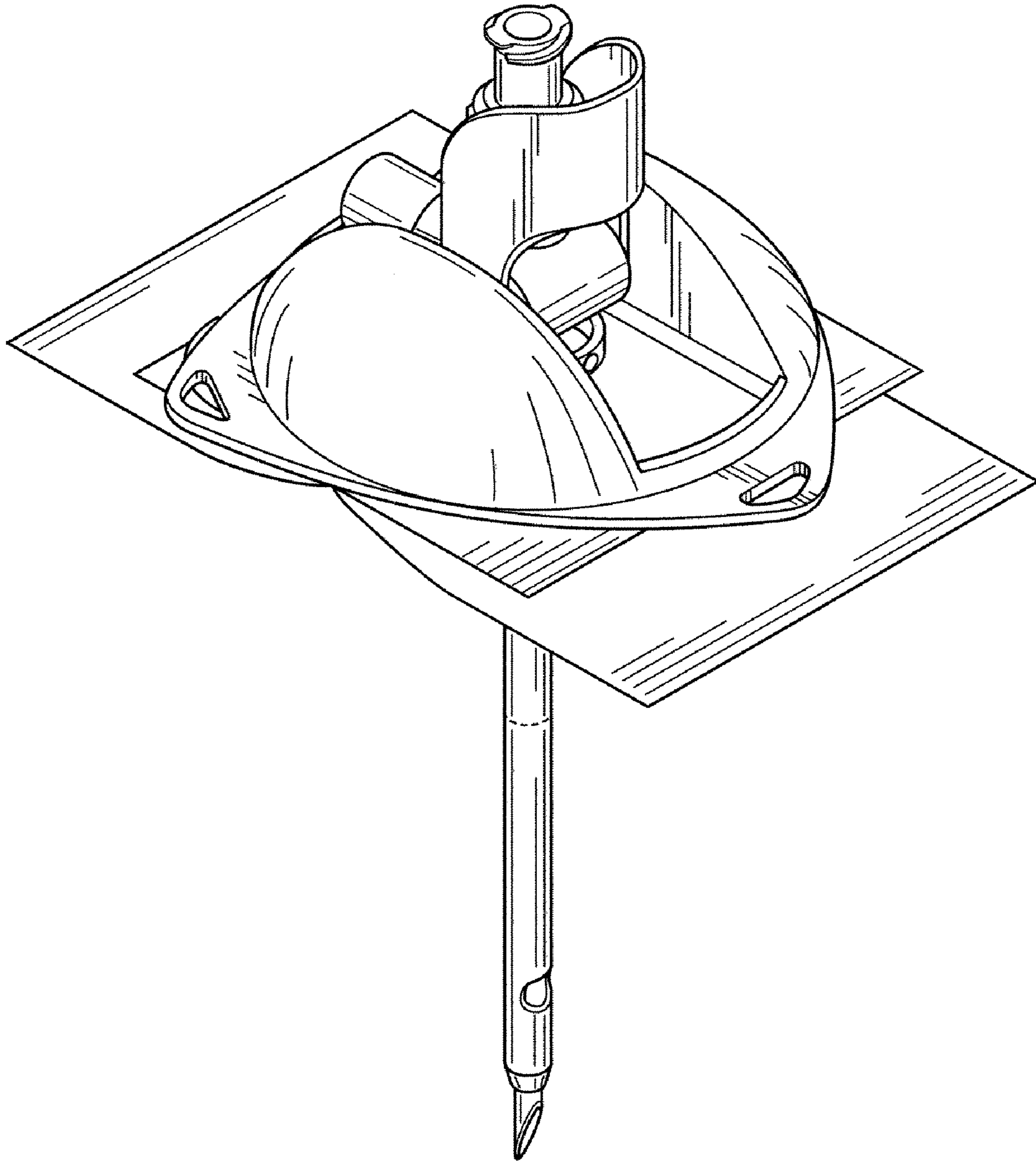
**U.S. PATENT DOCUMENTS**

3,057,350 A 10/1962 Cowley ..... 128/214  
5,336,191 A \* 8/1994 Davis et al. .... 604/165.01  
5,336,195 A 8/1994 Daneshvar et al. .... 604/179  
5,480,389 A \* 1/1996 McWha et al. .... 604/165.02  
5,527,276 A 6/1996 Bruce et al. .... 604/54  
D436,664 S \* 1/2001 Lamoureux ..... D24/147  
6,245,044 B1 \* 6/2001 Daw et al. .... 604/158  
D449,887 S \* 10/2001 Haberland et al. .... D24/146  
D452,313 S \* 12/2001 Niermann ..... D24/112  
D523,956 S \* 6/2006 Guala ..... D24/112  
2008/0294111 A1 \* 11/2008 Tal et al. .... 604/165.01

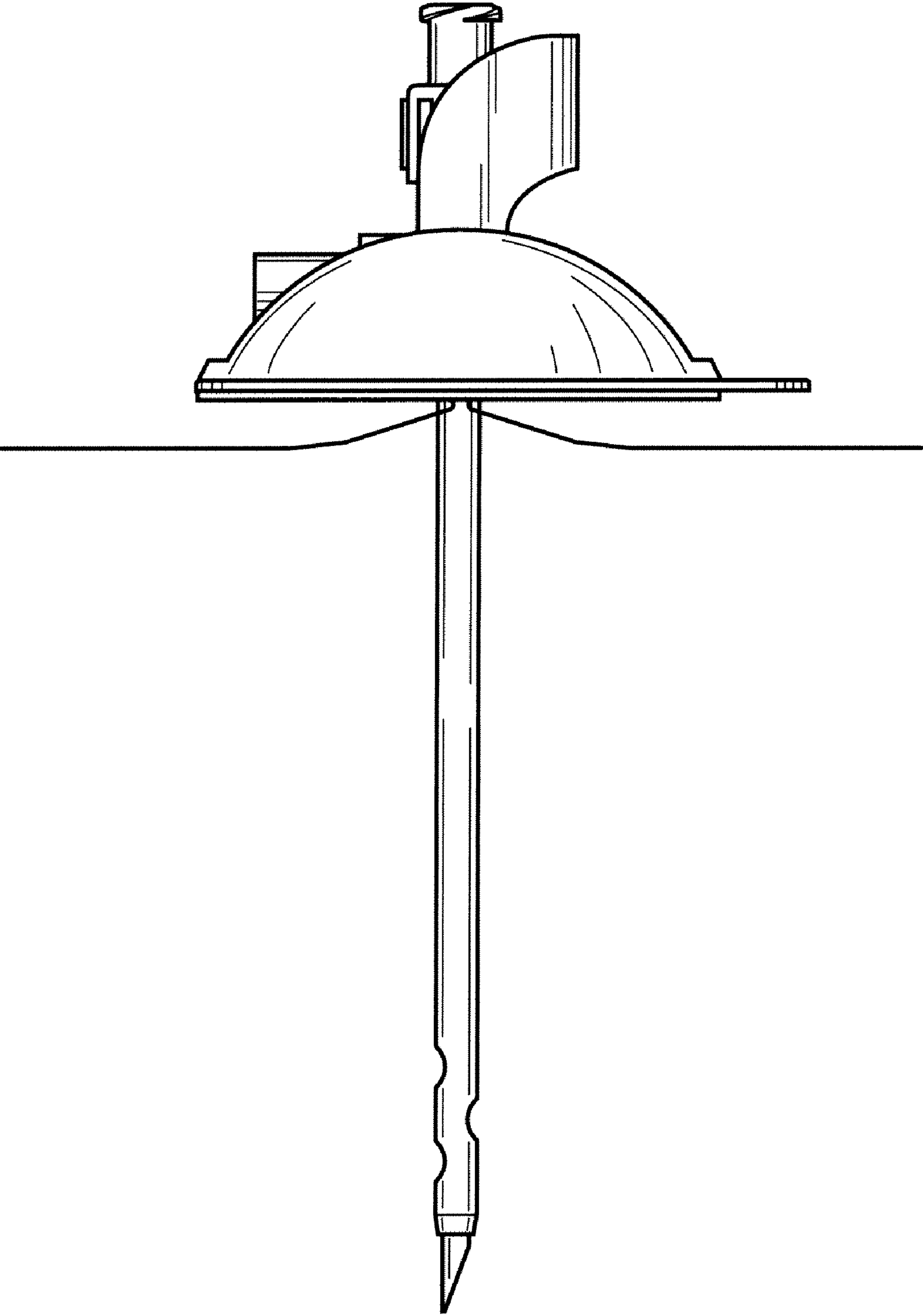
The broken lines showing of rings is for the purpose of illus-  
trating portions of the surgical instrument for hypertension  
pneumothorax and forms no part of the claimed design.

**1 Claim, 7 Drawing Sheets**

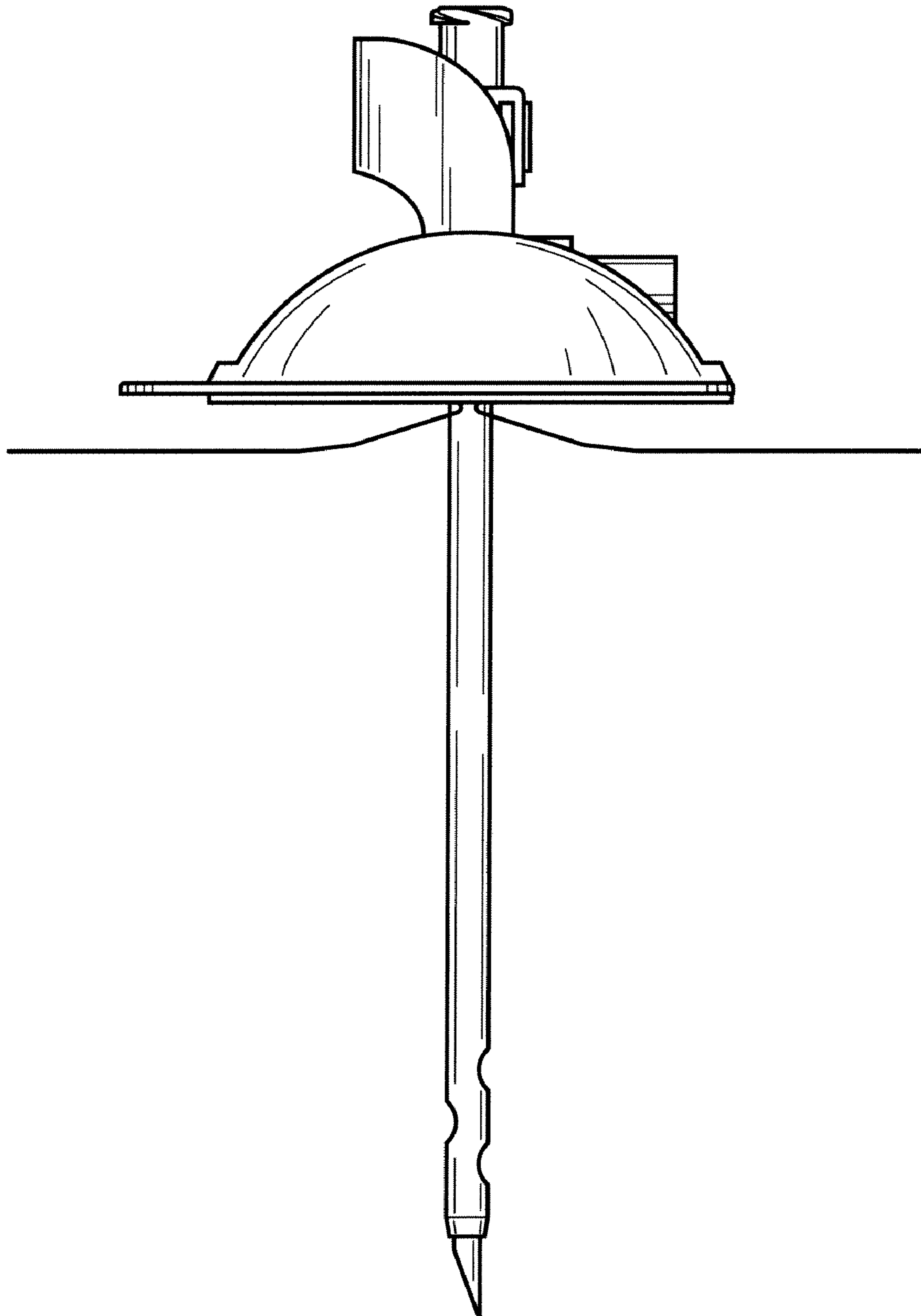




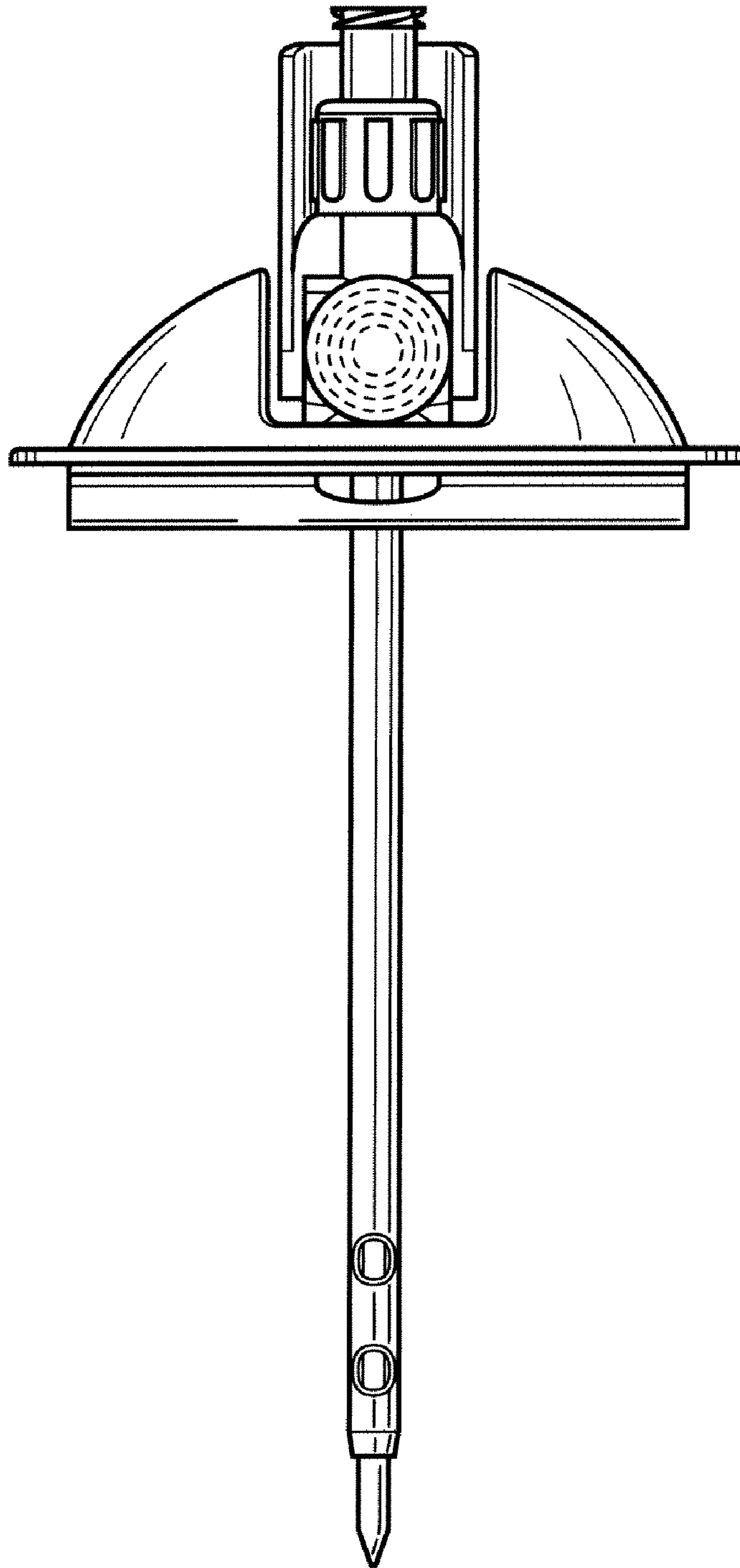
**FIG. 1**



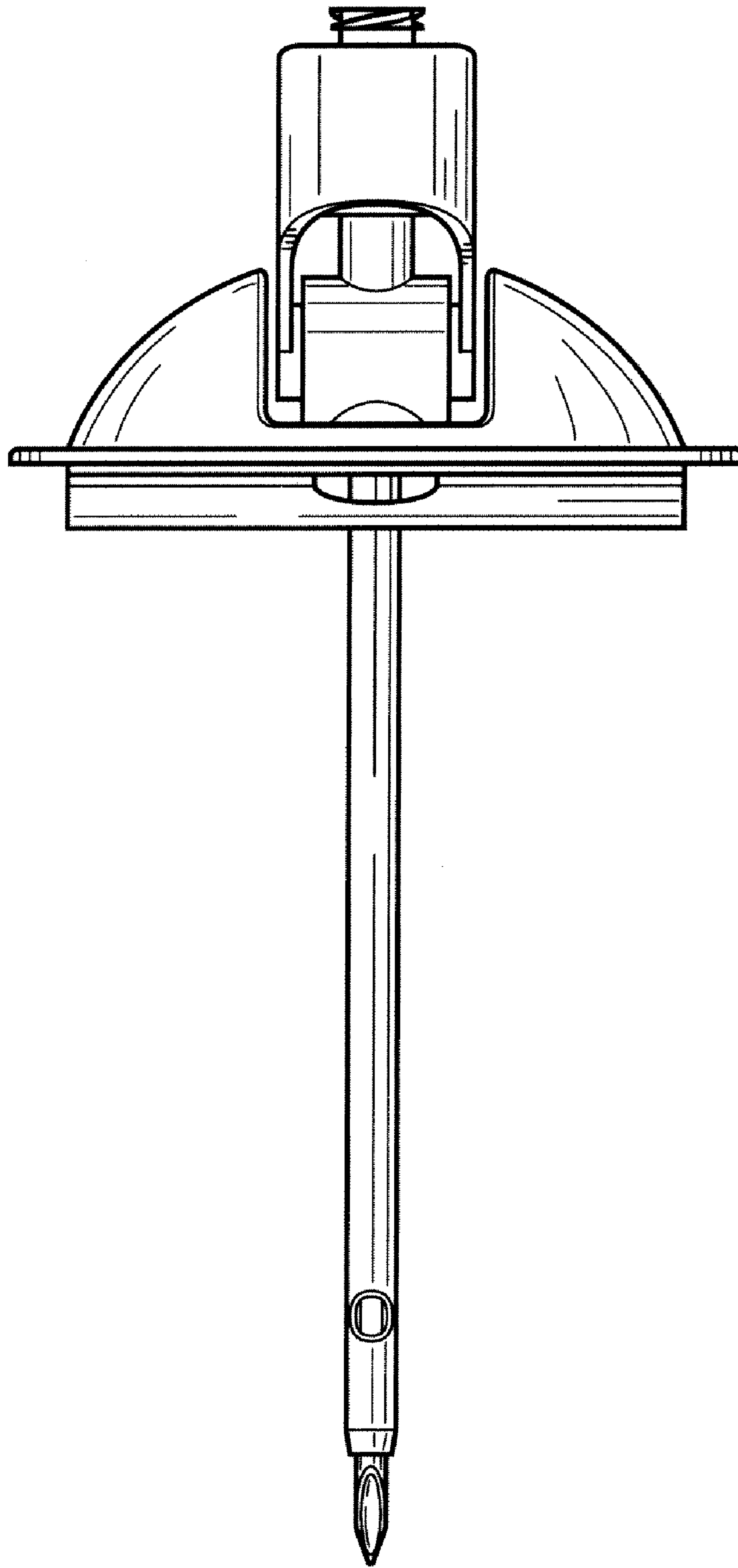
**FIG. 2**



**FIG. 3**

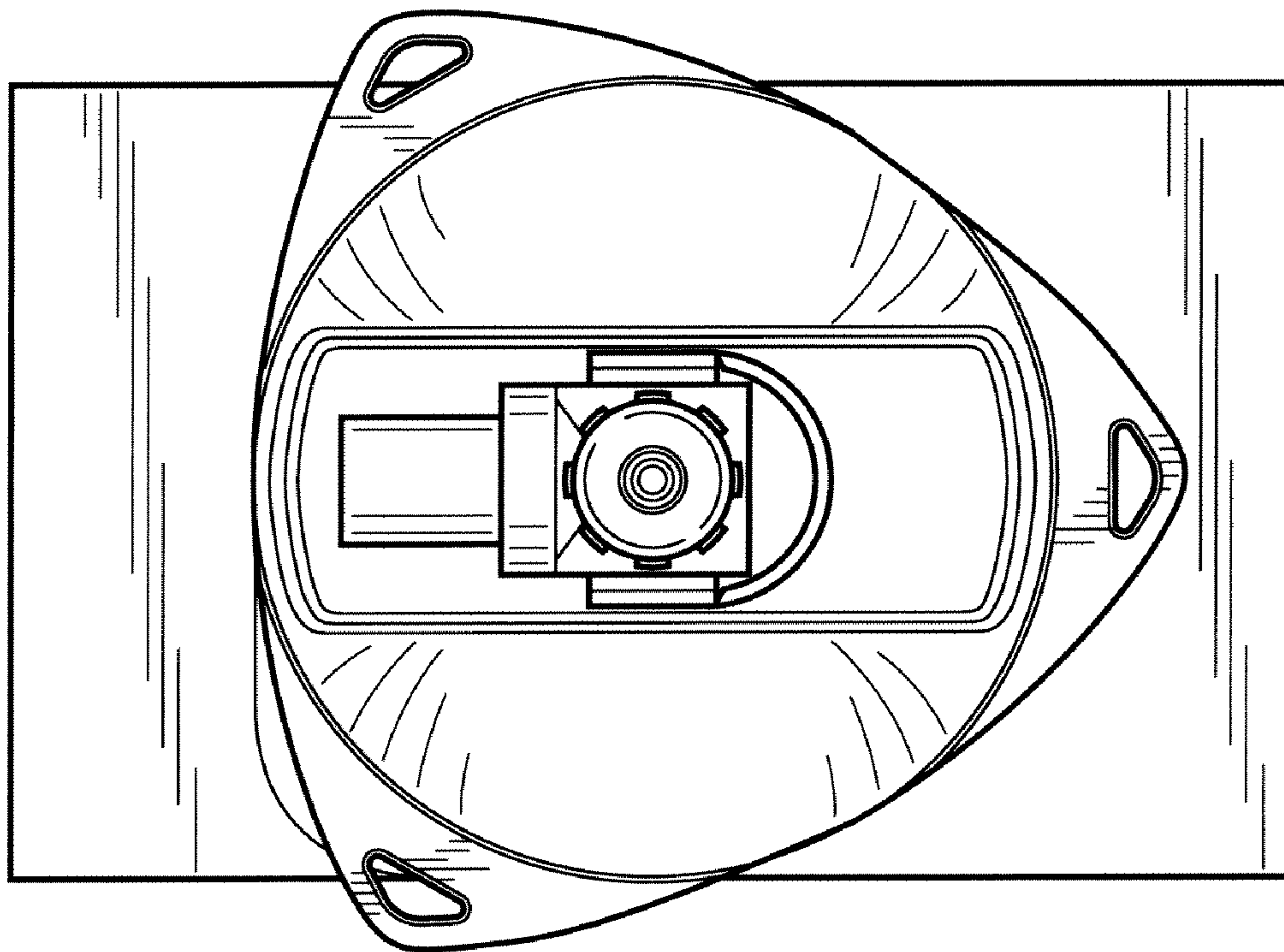


**FIG. 4**

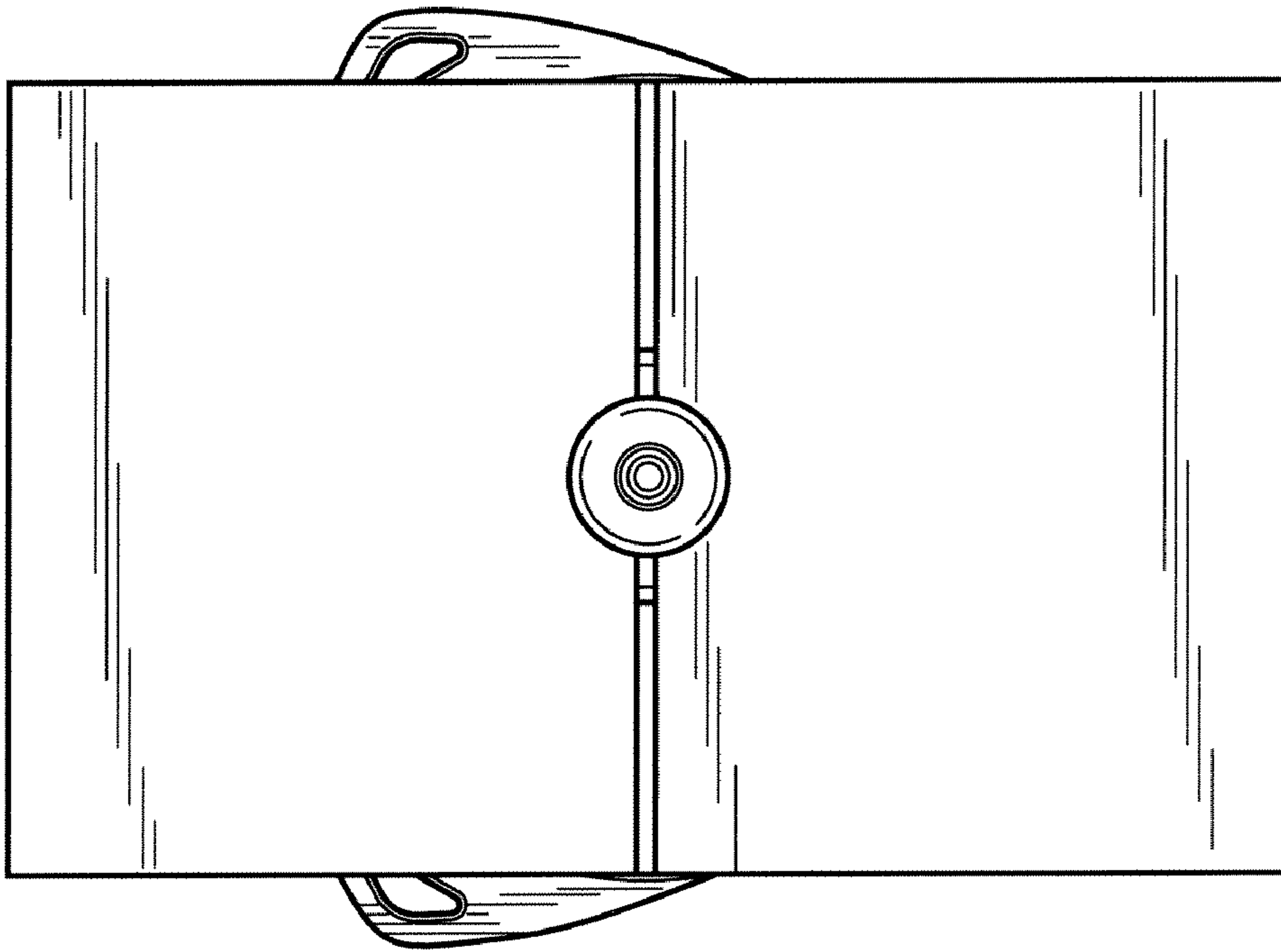


**FIG. 5**





**FIG. 6**



**FIG. 7**