



US00D596740S

(12) **United States Design Patent**
Poynter

(10) **Patent No.:** **US D596,740 S**

(45) **Date of Patent:** **** *Jul. 21, 2009**

- (54) **VIAL**
- (75) Inventor: **Richard Q. Poynter**, Crystal Lake, IL (US)
- (73) Assignee: **R.P. Scherer Technologies, Inc.**, Las Vegas, NV (US)
- (*) Notice: This patent is subject to a terminal disclaimer.
- (**) Term: **14 Years**
- (21) Appl. No.: **29/259,816**
- (22) Filed: **May 16, 2006**
- (51) **LOC (9) Cl.** **24-02**
- (52) **U.S. Cl.** **D24/115**
- (58) **Field of Classification Search** D24/117, D24/115, 223, 226; 222/209, 207, 215, 541.6, 222/541.4, 541.9; D9/695-699, 529, 697; 206/528; 604/3, 298; 215/47, 48; 128/200.24
See application file for complete search history.

6,241,124	B1	6/2001	Hoyt	222/143
D447,560	S *	9/2001	Hellberg et al.	D24/115
6,357,626	B1	3/2002	Zhang et al.	222/78
D458,366	S *	6/2002	Hellberg et al.	D24/115
D467,336	S *	12/2002	Gilbard et al.	D24/115
D469,867	S *	2/2003	Masuda et al.	D24/115
D470,240	S	2/2003	Niedbala et al.	D24/216
6,585,134	B2	7/2003	Farris	222/95
D489,820	S *	5/2004	Masuda et al.	D24/115
D492,406	S *	6/2004	Masuda et al.	D24/115
D492,407	S *	6/2004	Masuda et al.	D24/115
D498,666	S *	11/2004	Mitchell	D9/697
6,860,405	B1	3/2005	Poynter	222/23
D517,207	S *	3/2006	Poynter	D24/115
D518,891	S *	4/2006	Strong	D24/115
2002/0134377	A1 *	9/2002	Loeffler et al.	128/200.24

* cited by examiner

Primary Examiner—T. Chase Nelson
Assistant Examiner—David G Muller
 (74) *Attorney, Agent, or Firm*—Fitzpatrick, Cella, Harper & Scinto

(57) **CLAIM**

The ornamental design for a vial, as shown and described.

DESCRIPTION

FIG. 1 is a perspective view of a vial showing my new design;
 FIG. 2 is a front end elevation view thereof;
 FIG. 3 is a rear end elevation view thereof;
 FIG. 4 is a top plan view thereof;
 FIG. 5 is a left side elevation view thereof;
 FIG. 6 is a bottom plan view thereof; and,
 FIG. 7 is a right side elevation view thereof.
 The broken lines depict portions of the vial that form no part of the claimed design.

1 Claim, 2 Drawing Sheets

(56) **References Cited**

U.S. PATENT DOCUMENTS

3,993,223	A	11/1976	Welker, III et al.	222/107
4,811,866	A	3/1989	Golias	222/189
4,995,519	A	2/1991	Rose et al.	215/32
D324,333	S *	3/1992	Griffin et al.	D9/529
D362,390	S *	9/1995	Weiler	D9/696
D369,212	S	4/1996	Snell	D24/117
D369,868	S	5/1996	Nazareth et al.	D24/225
D375,352	S	11/1996	Bologna	D24/115
D379,662	S	6/1997	Pearson et al.	D24/223
D379,663	S	6/1997	Pearson et al.	D24/223
5,678,736	A	10/1997	Hansen	222/209
D392,184	S	3/1998	Weiler	D9/302
5,845,264	A	12/1998	Nellhaus	705/28

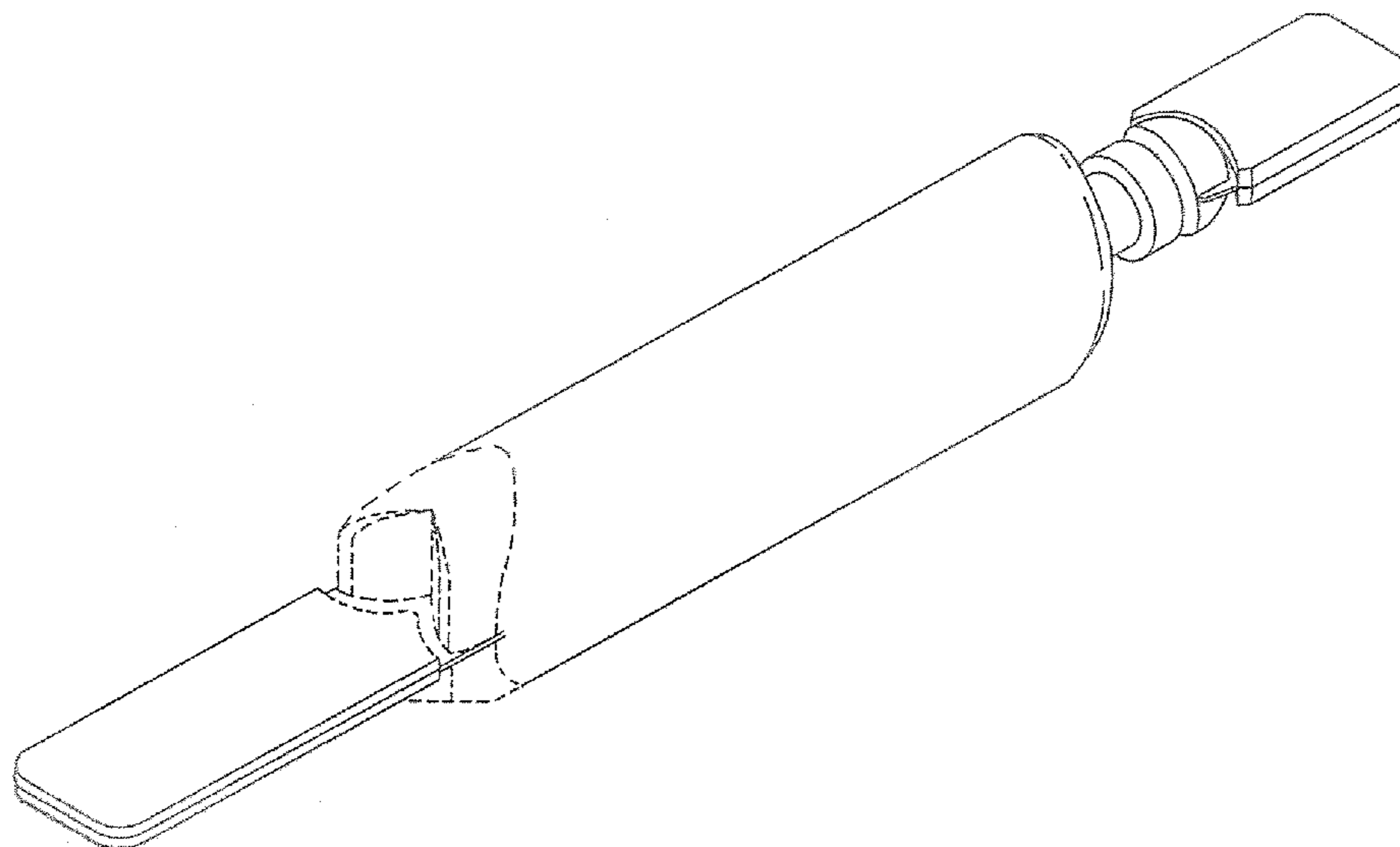


FIG. 1

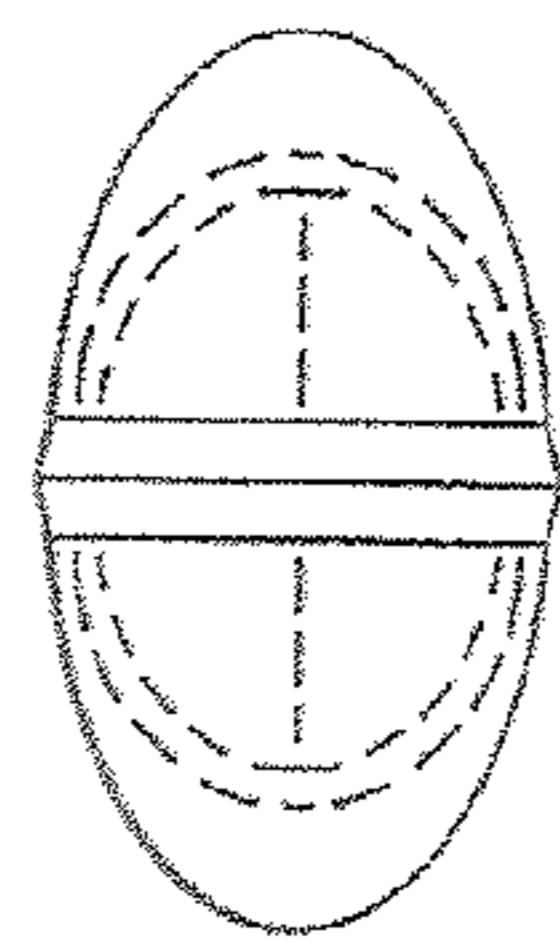
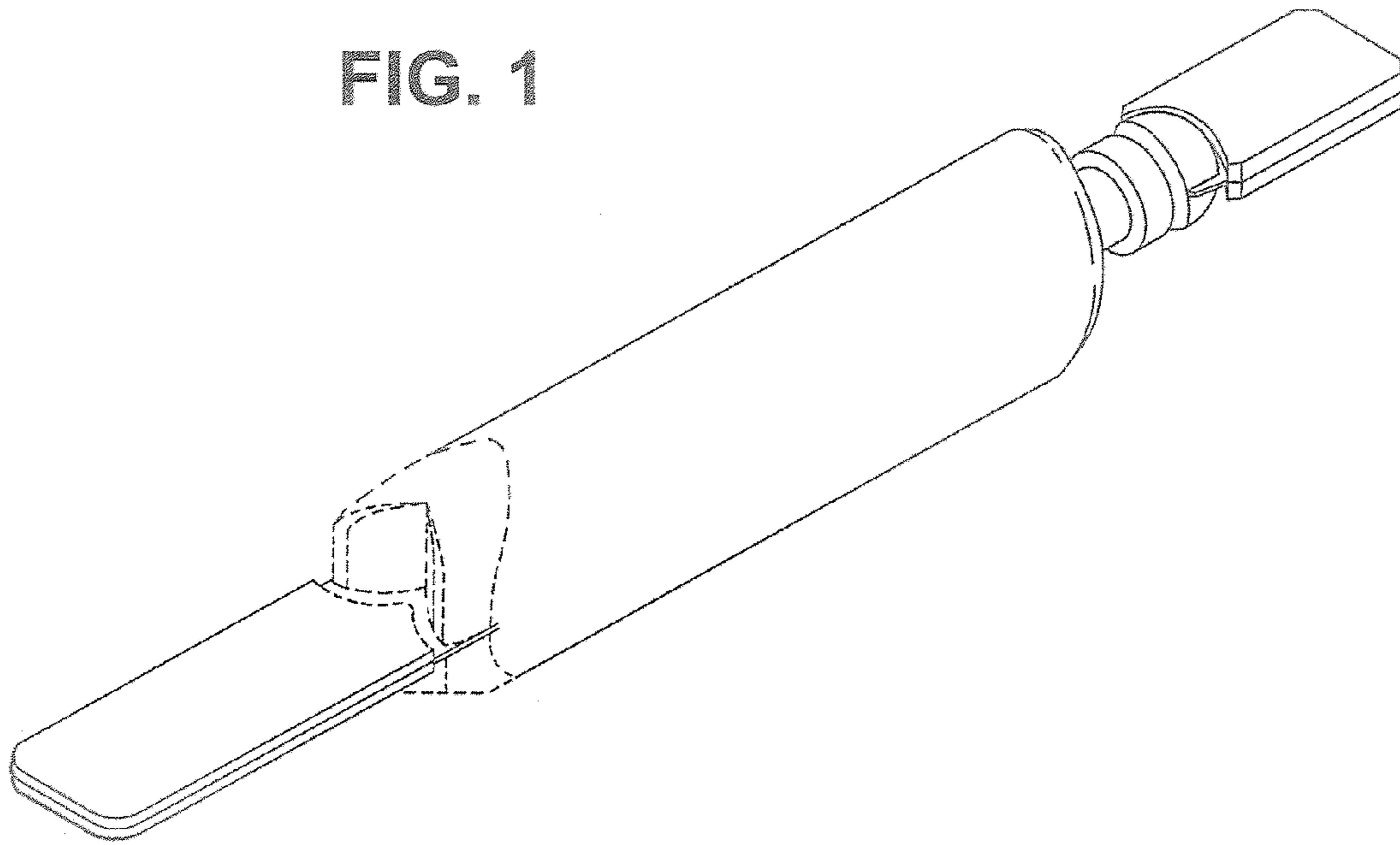


FIG. 2

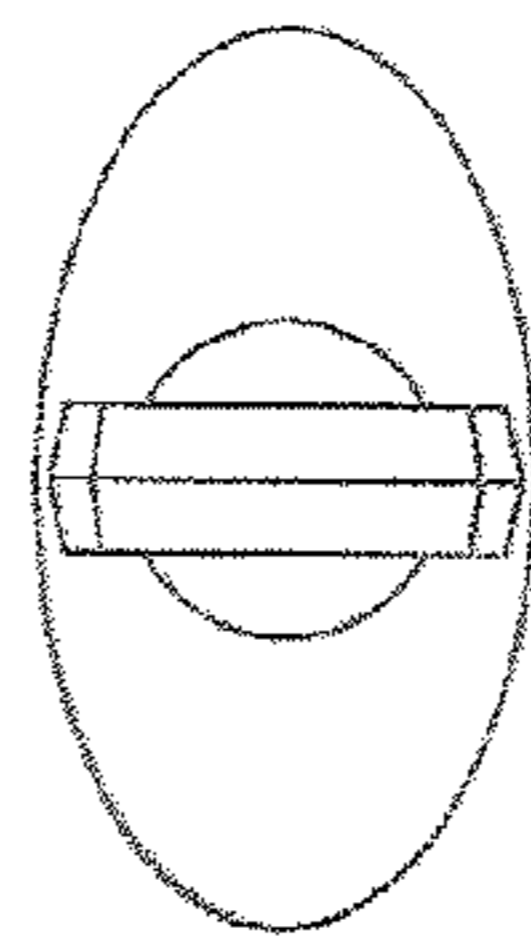


FIG. 3

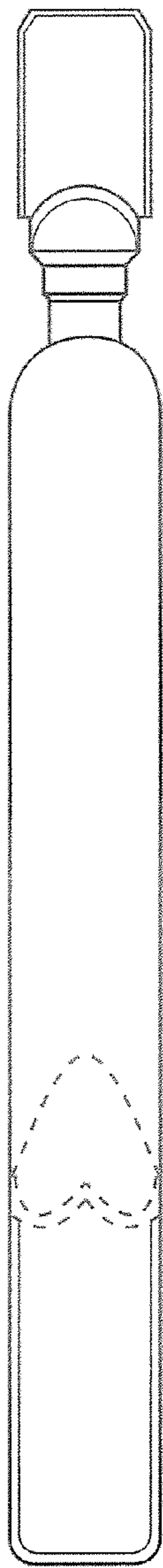


FIG. 4

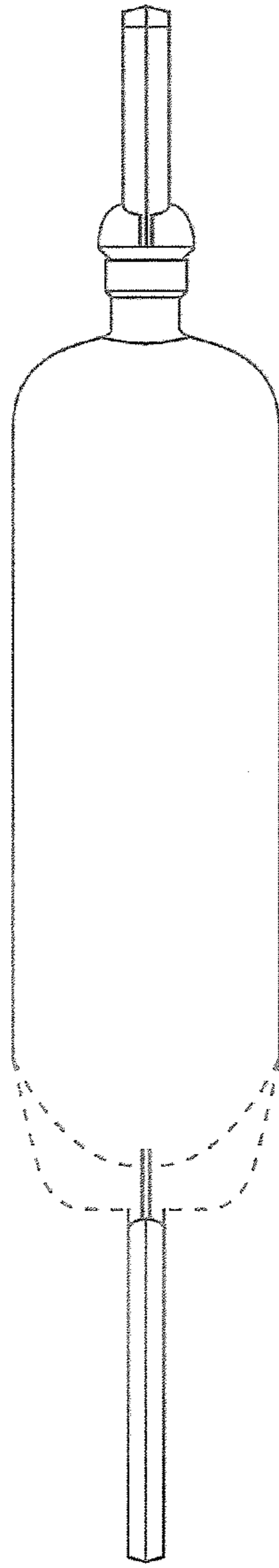


FIG. 5

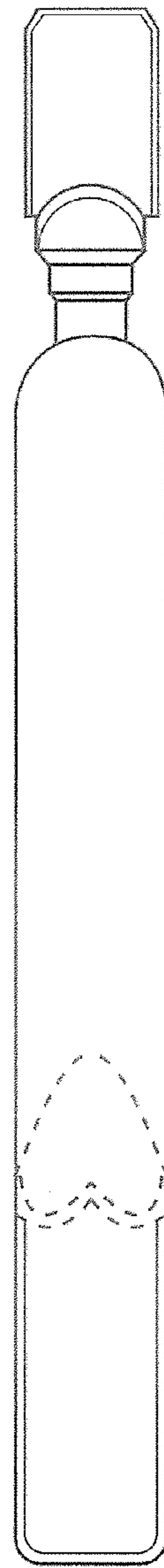


FIG. 6

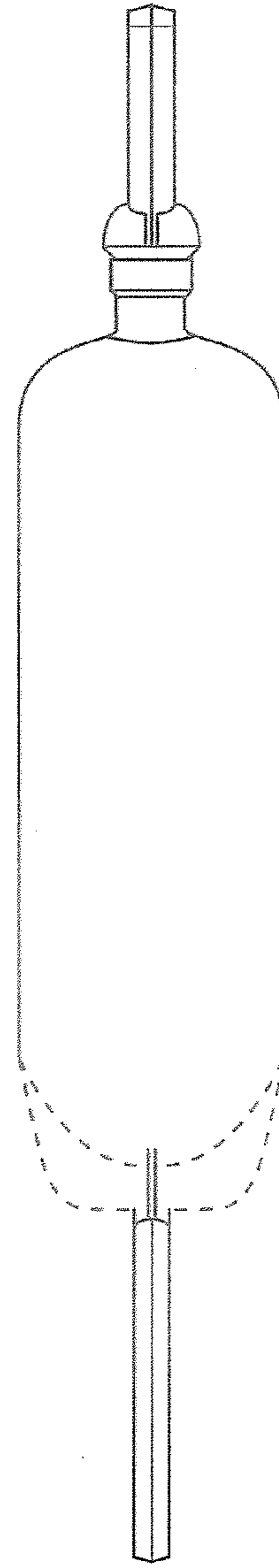


FIG. 7