



US00D596739S

(12) **United States Design Patent**  
**Ng et al.**

(10) **Patent No.:** **US D596,739 S**  
(45) **Date of Patent:** **\*\* Jul. 21, 2009**

(54) **ADJUSTABLE FOREHEAD SUPPORT DIAL FOR A RESPIRATORY MASK**

(75) Inventors: **Eva Ng**, Double Bay (AU); **Vincent Chu**, Little Bay (AU); **Mark Bertinetti**, Lane Cove (AU); **Scott Alexander Howard**, Harbord (AU); **Murray William Lee**, Quakers Hill (AU); **Philip Thomas Stallard**, Denistone East (AU); **Joshua Adam Gudiksen**, Picton (AU); **Susan Robyn Lynch**, Epping (AU)

(73) Assignee: **ResMed Limited**, Bella Vista (AU)

(\*\*) Term: **14 Years**

(21) Appl. No.: **29/268,827**

(22) Filed: **Nov. 14, 2006**

(51) **LOC (9) Cl.** ..... **29-02**

(52) **U.S. Cl.** ..... **D24/110.1; D24/110.4; D24/110.5**

(58) **Field of Classification Search** ..... D24/110.1, D24/110.4, 110.5, 164, 224; D9/439, 440, D9/434, 435, 503, 544; 128/207.11, 207.13, 128/206.21, 206.26, 206.27; D7/292.1; 242/417-422; 24/68 B, 68 R; 222/544, 563, 566; 215/294-296, 215/355, 356; D29/102, 110, 129  
See application file for complete search history.

(56) **References Cited**

**U.S. PATENT DOCUMENTS**

D188,471 S \* 7/1960 Terwilliger ..... D9/439

4,182,458 A 1/1980 Meckler  
5,803,285 A 9/1998 Hirota  
6,532,961 B1 3/2003 Kwok et al.  
D493,522 S 7/2004 Fu et al.  
D515,698 S 2/2006 Lang et al.  
D562,446 S \* 2/2008 Chu et al. .... D24/110.1

**OTHER PUBLICATIONS**

U.S. Appl. No. 29/273,859, filed Mar. 15, 2007, Chu et al.  
U.S. Appl. No. 29/251,707, filed Jan. 12, 2006, Chu et al.

\* cited by examiner

*Primary Examiner*—Ian Simmons

*Assistant Examiner*—Christopher Lee

(74) *Attorney, Agent, or Firm*—Nixon & Vanderhye P.C.

(57) **CLAIM**

The ornamental design for an adjustable forehead support dial for a respiratory mask, as shown.

**DESCRIPTION**

FIG. 1 is a front perspective view of an adjustable forehead support dial for a respiratory mask according to our design;

FIG. 2 is a reverse perspective view thereof;

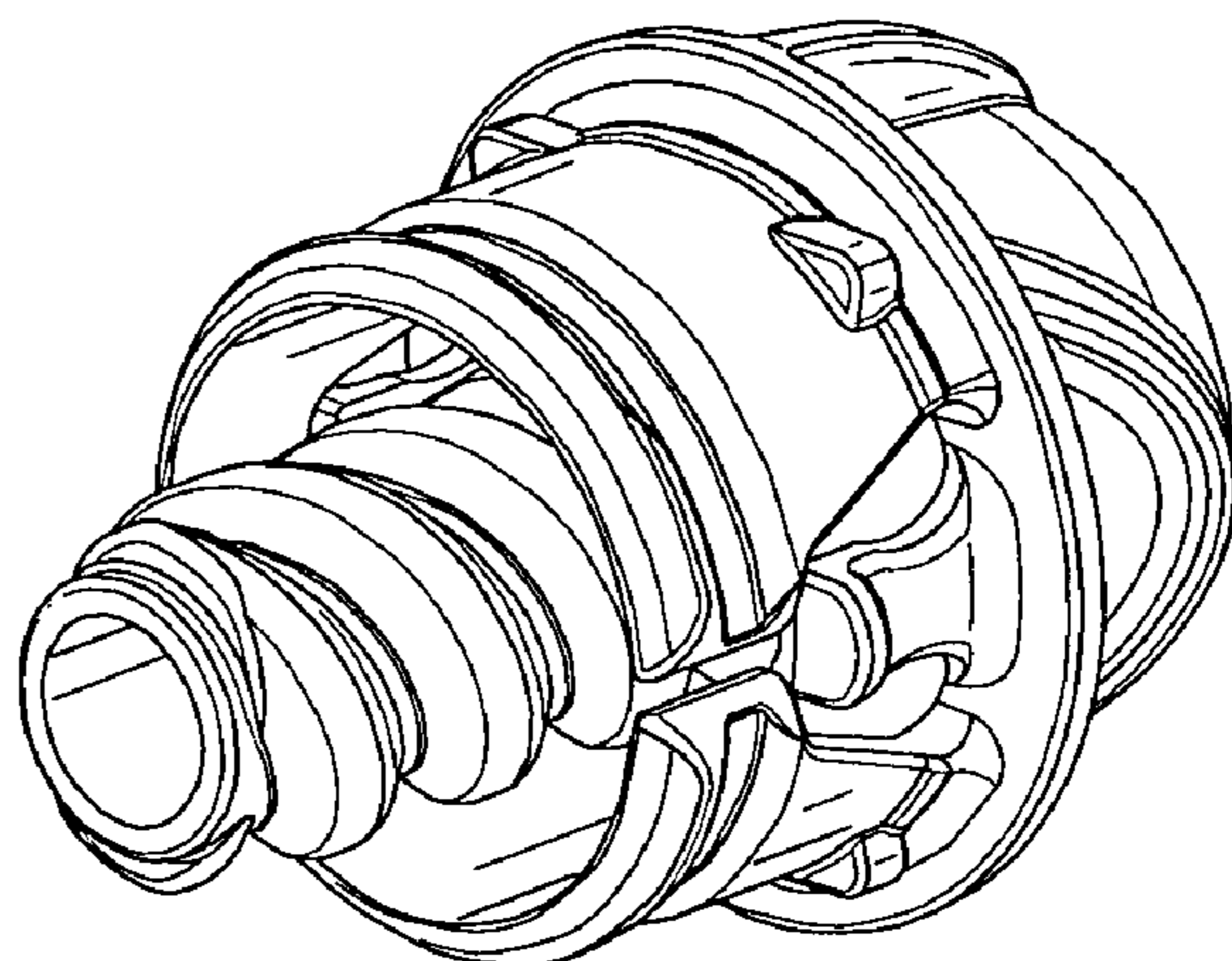
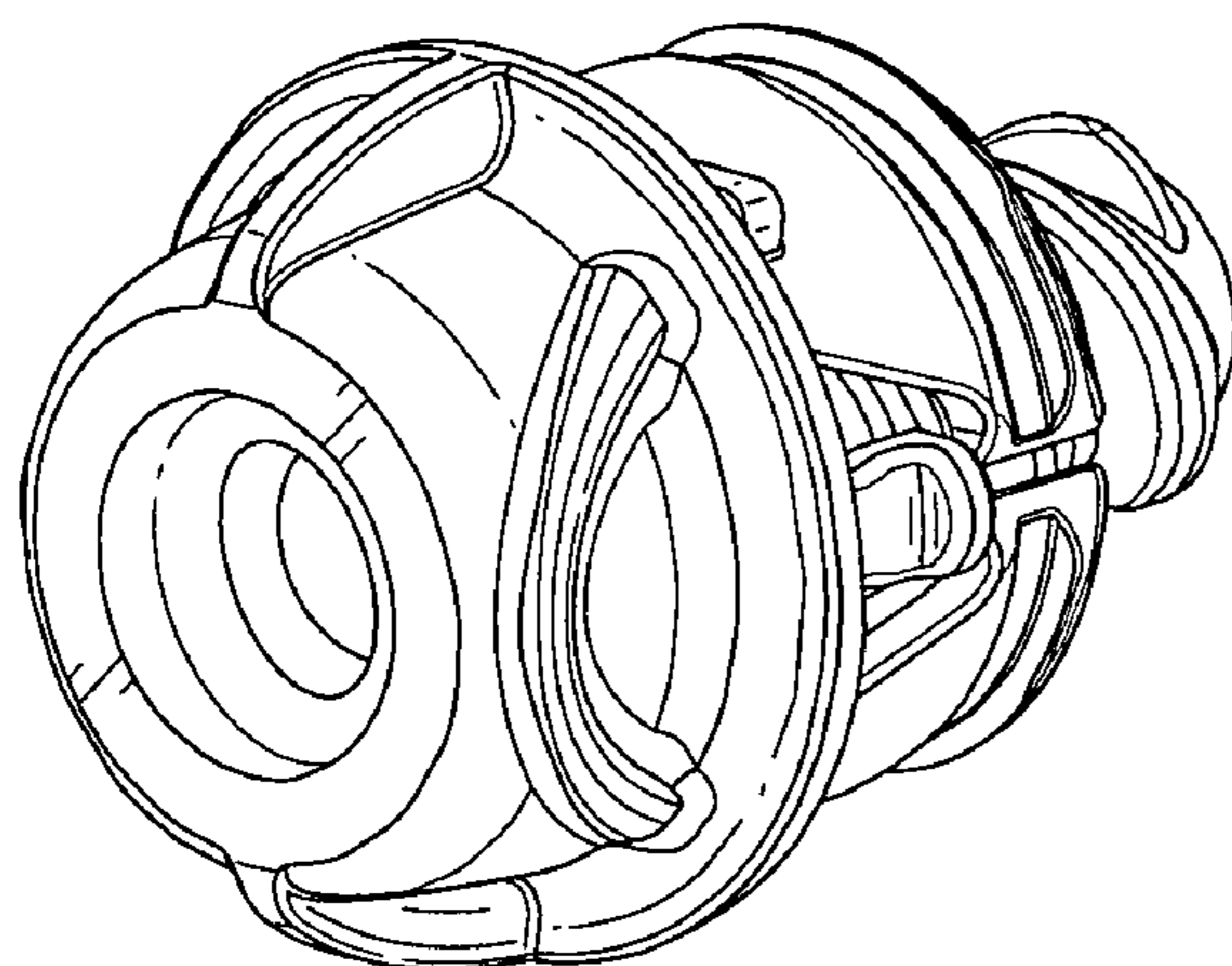
FIG. 3 is a front view thereof;

FIG. 4 is a rear view thereof;

FIG. 5 is a top view thereof with the bottom view thereof being identical thereto; and,

FIG. 6 is a left side view thereof with the right side view thereof being identical thereto.

**1 Claim, 2 Drawing Sheets**



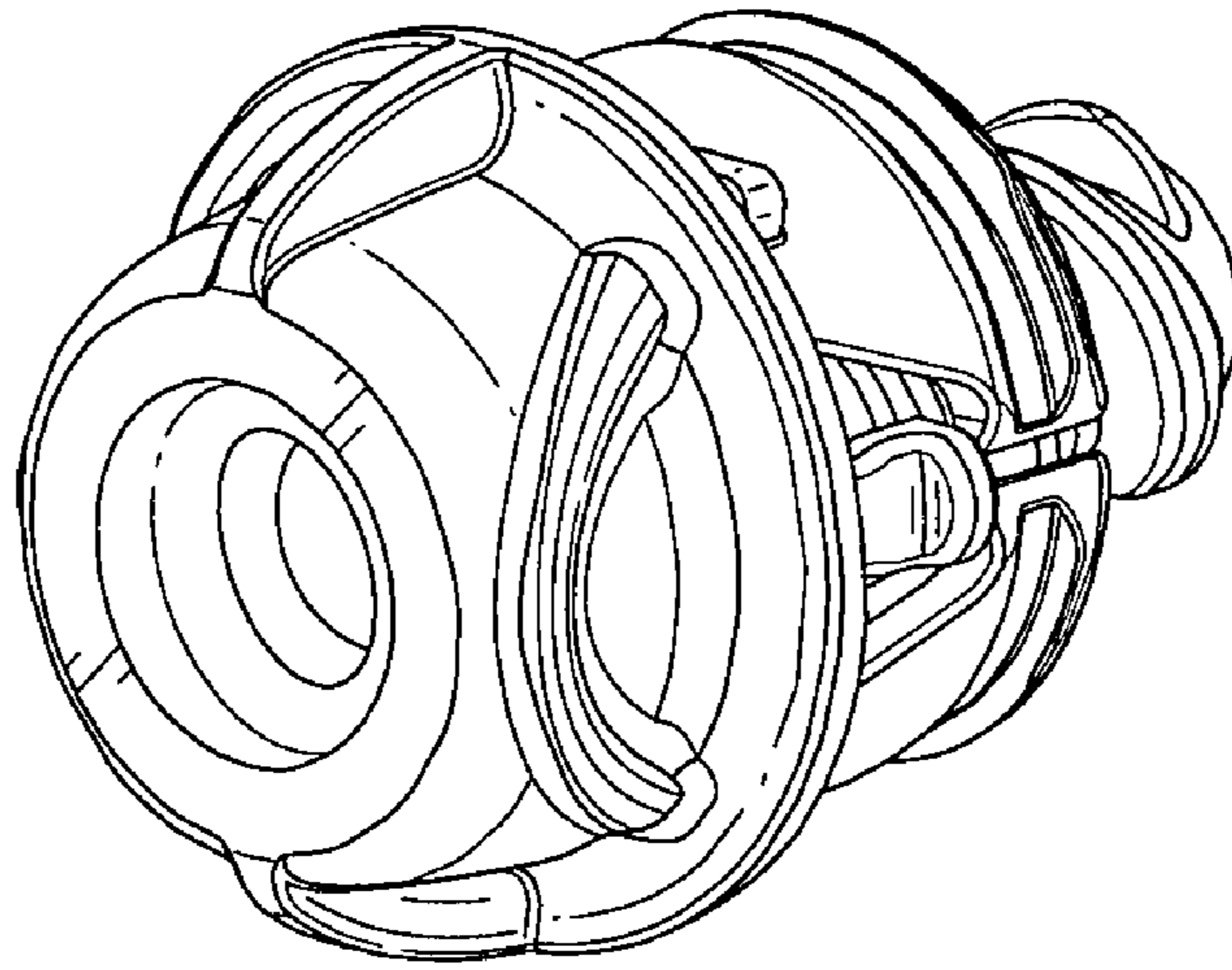


Fig. 1

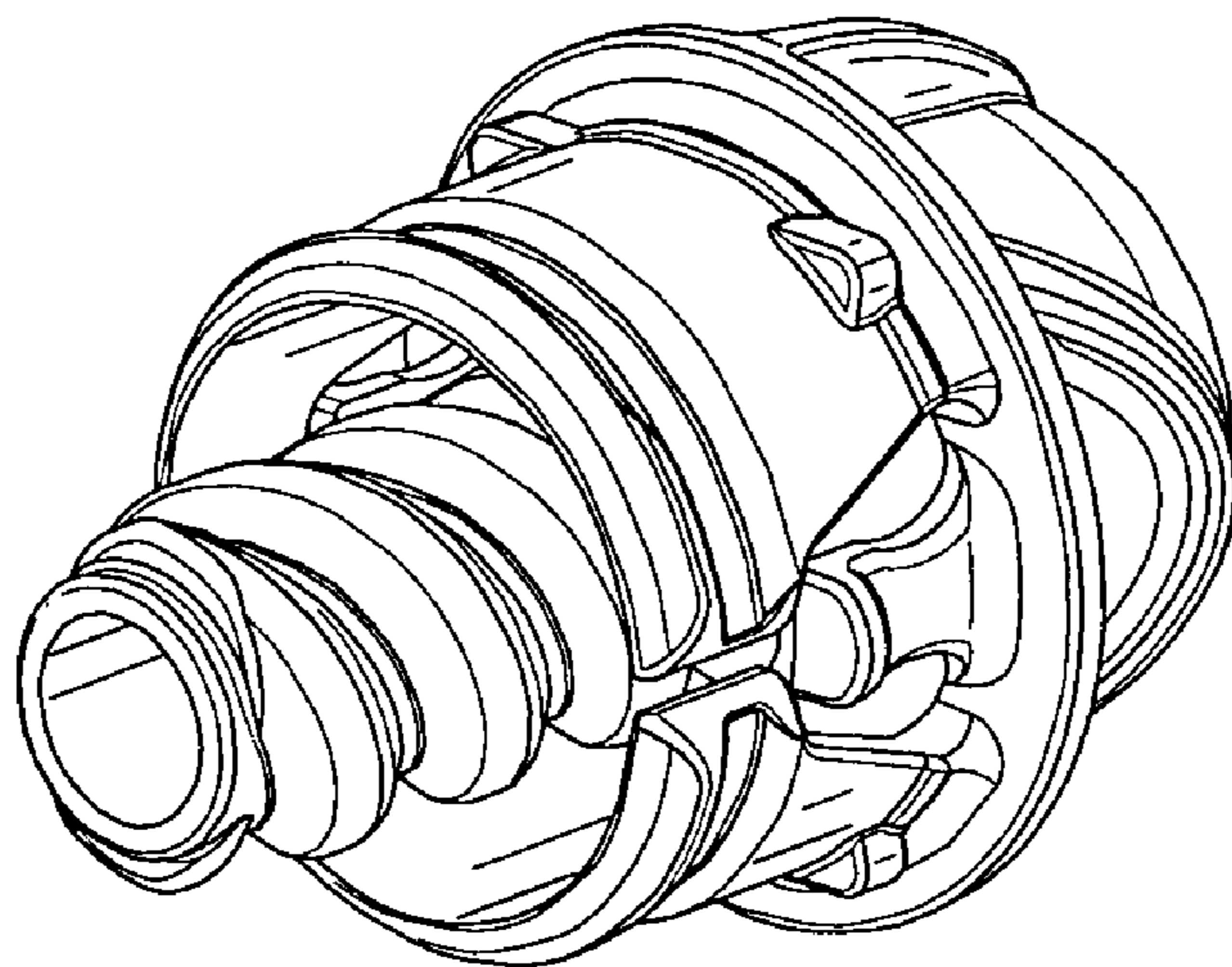


Fig. 2

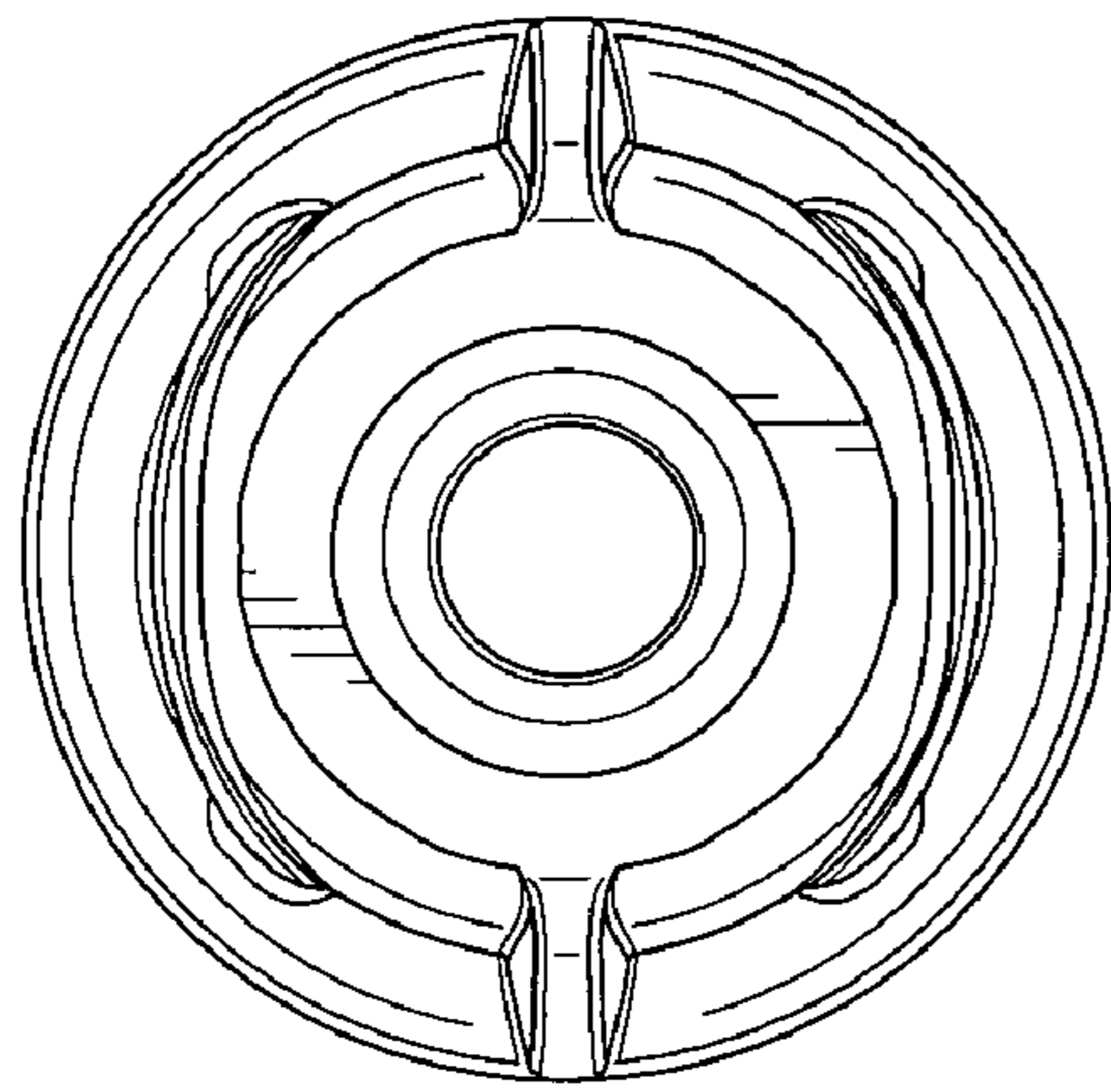


Fig. 3

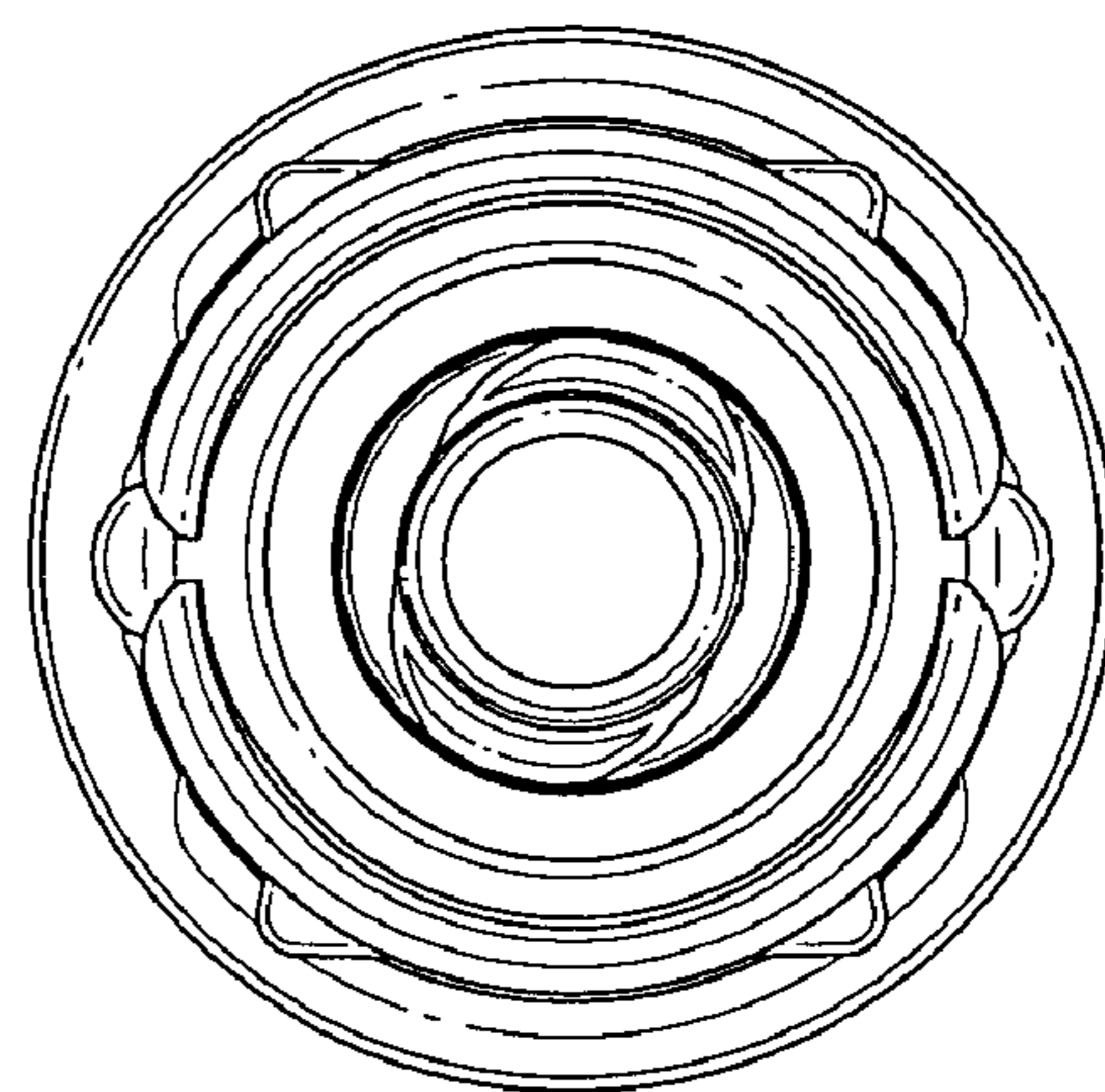


Fig. 4

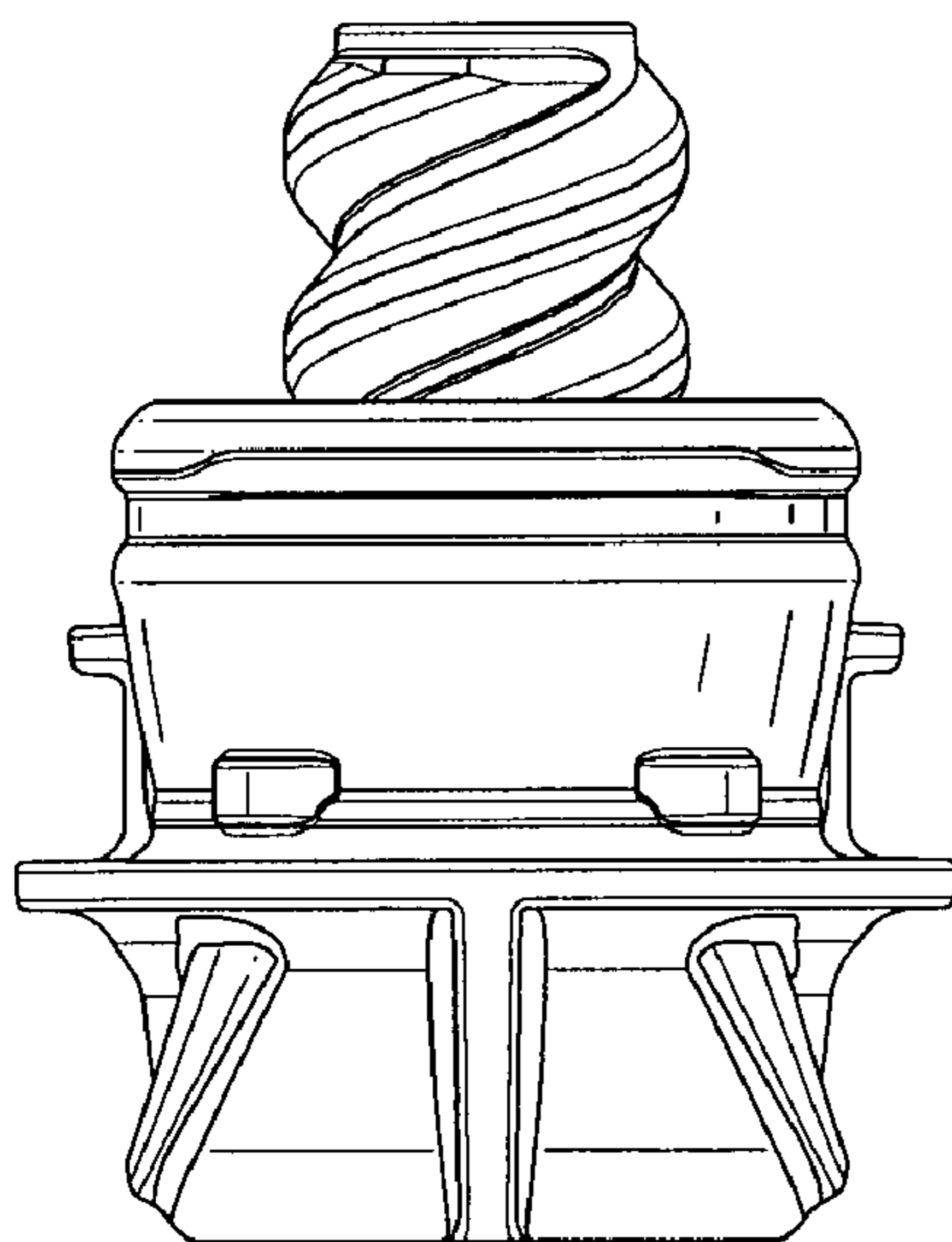


Fig. 5

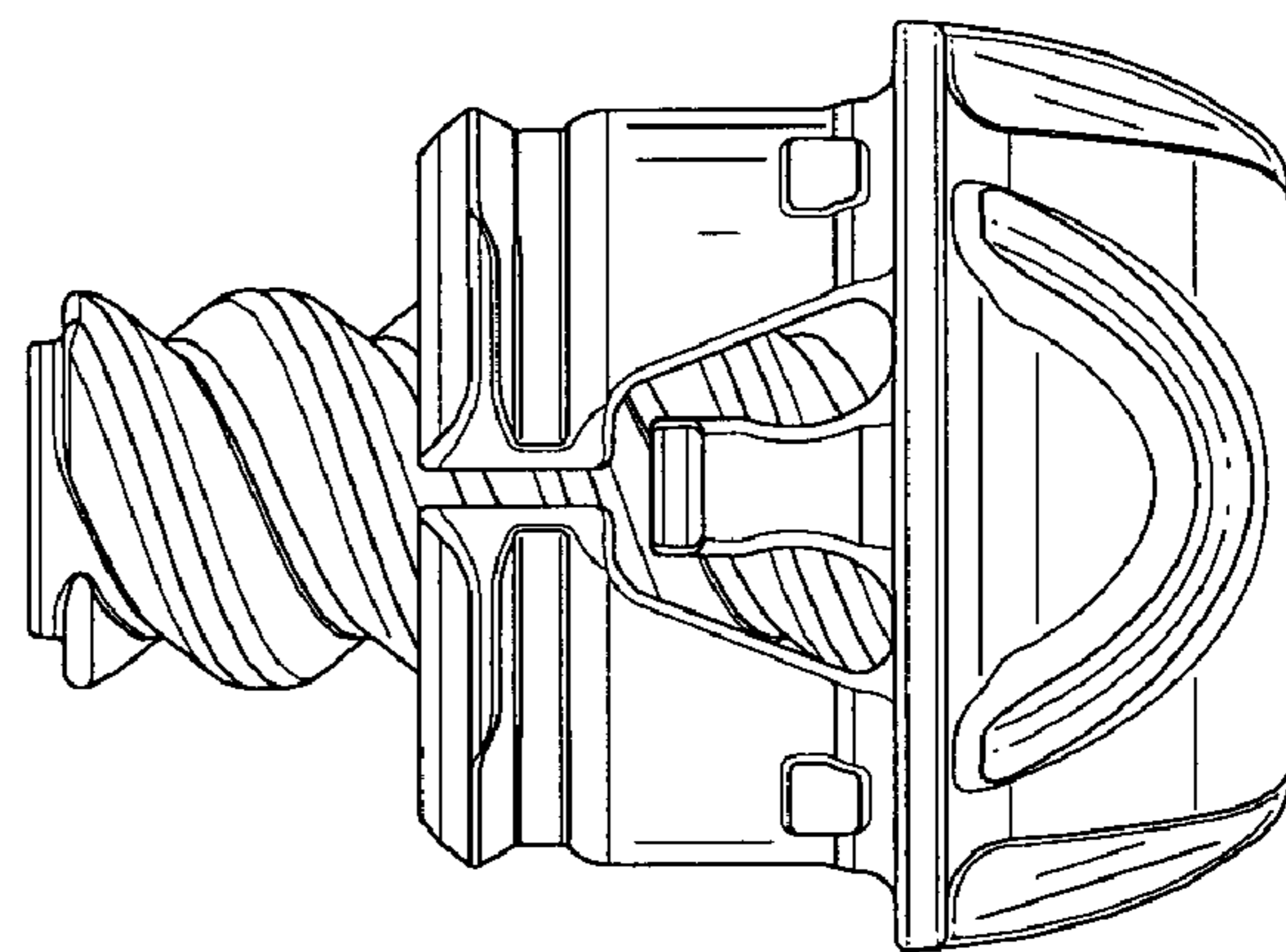


Fig. 6