



US00D596737S

(12) **United States Design Patent**
Pan

(10) **Patent No.:** **US D596,737 S**

(45) **Date of Patent:** **** Jul. 21, 2009**

(54) **CEILING FAN MOTOR HOUSING**

D553,239 S * 10/2007 Wang D23/411

* cited by examiner

(75) Inventor: **Peter Pan**, Tansih Township, Taichung County (TW)

Primary Examiner—Lisa P Lichtenstein

(74) *Attorney, Agent, or Firm*—Ming Chow; Sinorica, LLC

(73) Assignee: **Air Cool Industrial Co., Ltd.**, Taichung County (TW)

(57) **CLAIM**

(**) Term: **14 Years**

I claim the ornamental design for a ceiling fan motor housing, as shown and described.

(21) Appl. No.: **29/331,124**

DESCRIPTION

(22) Filed: **Jan. 21, 2009**

FIG. 1 is a front perspective view of a ceiling fan motor housing showing my new design;

(51) **LOC (9) Cl.** **23-04**

FIG. 2 is a front elevational view thereof;

(52) **U.S. Cl.** **D23/411**

FIG. 3 is a rear elevational view thereof.

(58) **Field of Classification Search** D23/377,
D23/379, 385, 411, 413; 416/5; D26/59,
D26/51, 72, 80–86, 73

FIG. 4 is a left side elevational view thereof;

FIG. 5 is a right side elevational view thereof;

See application file for complete search history.

FIG. 6 is a top plan view thereof; and,

FIG. 7 is a bottom plan view thereof.

(56) **References Cited**

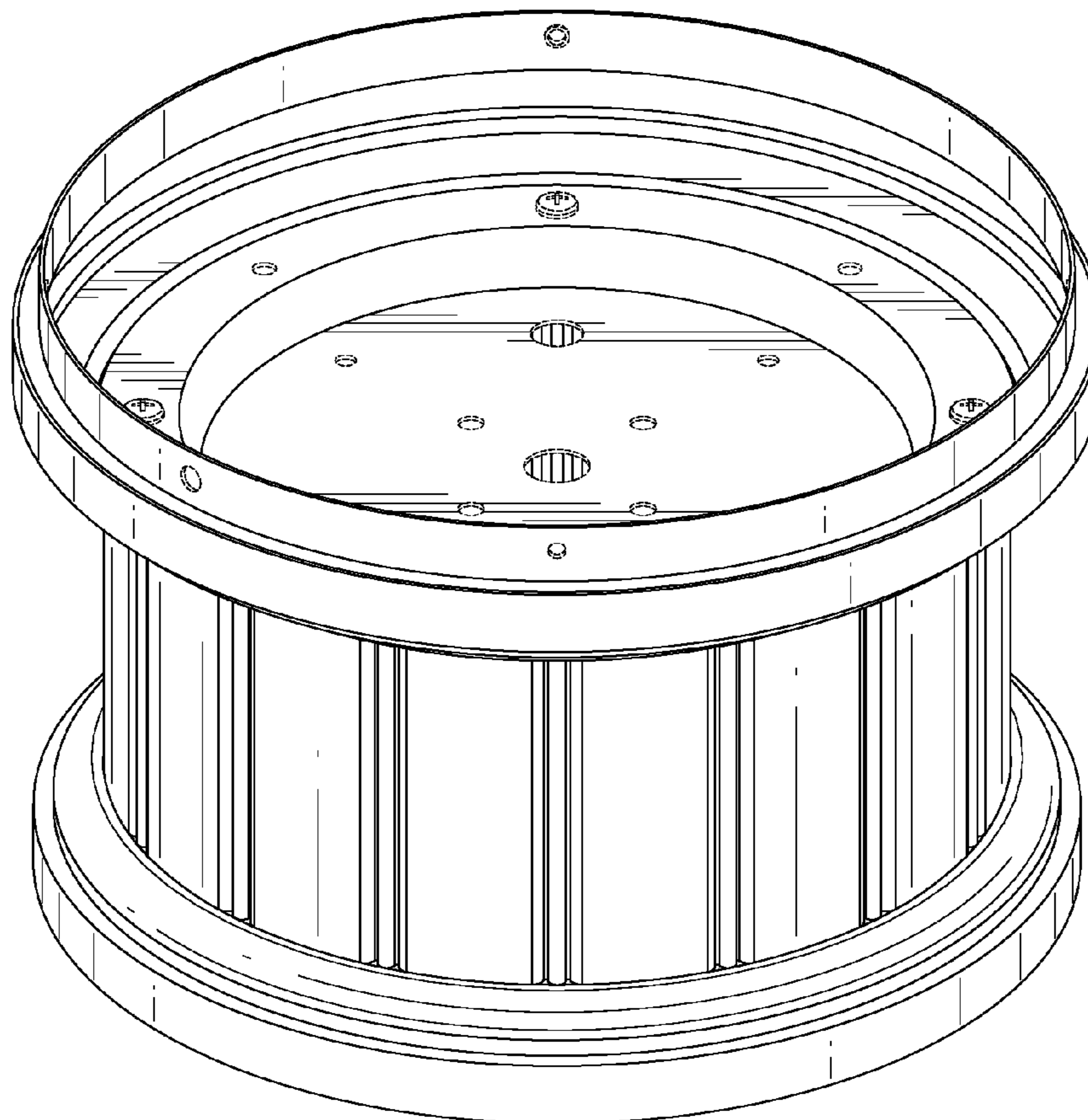
The broken line showing of portions of the ceiling fan motor housing is included for the purpose of illustrating environmental structure and forms no part of the claimed design.

U.S. PATENT DOCUMENTS

D520,633 S * 5/2006 Tai D23/411

D541,930 S * 5/2007 Pickett D23/411

1 Claim, 7 Drawing Sheets



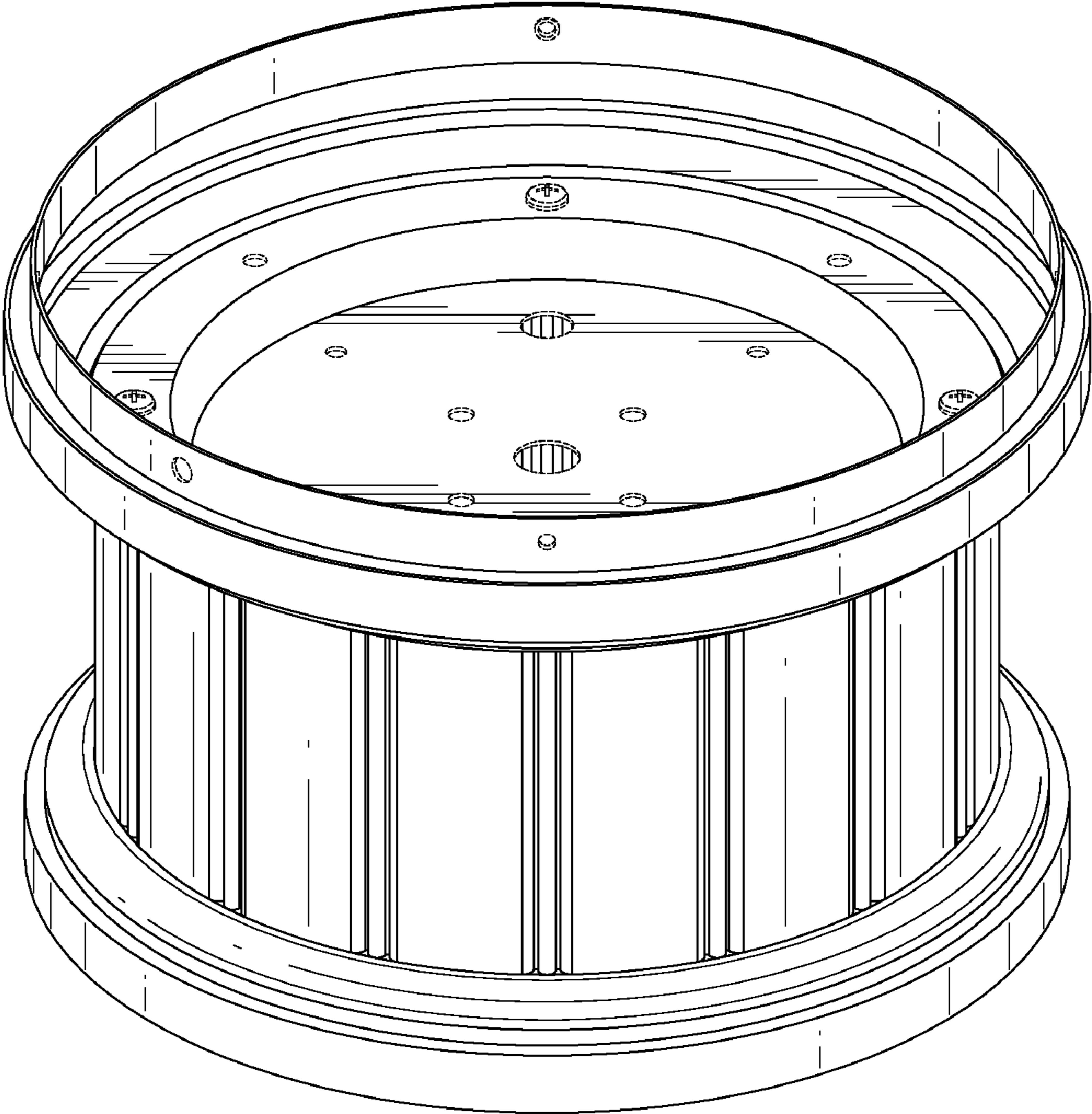


FIG. 1

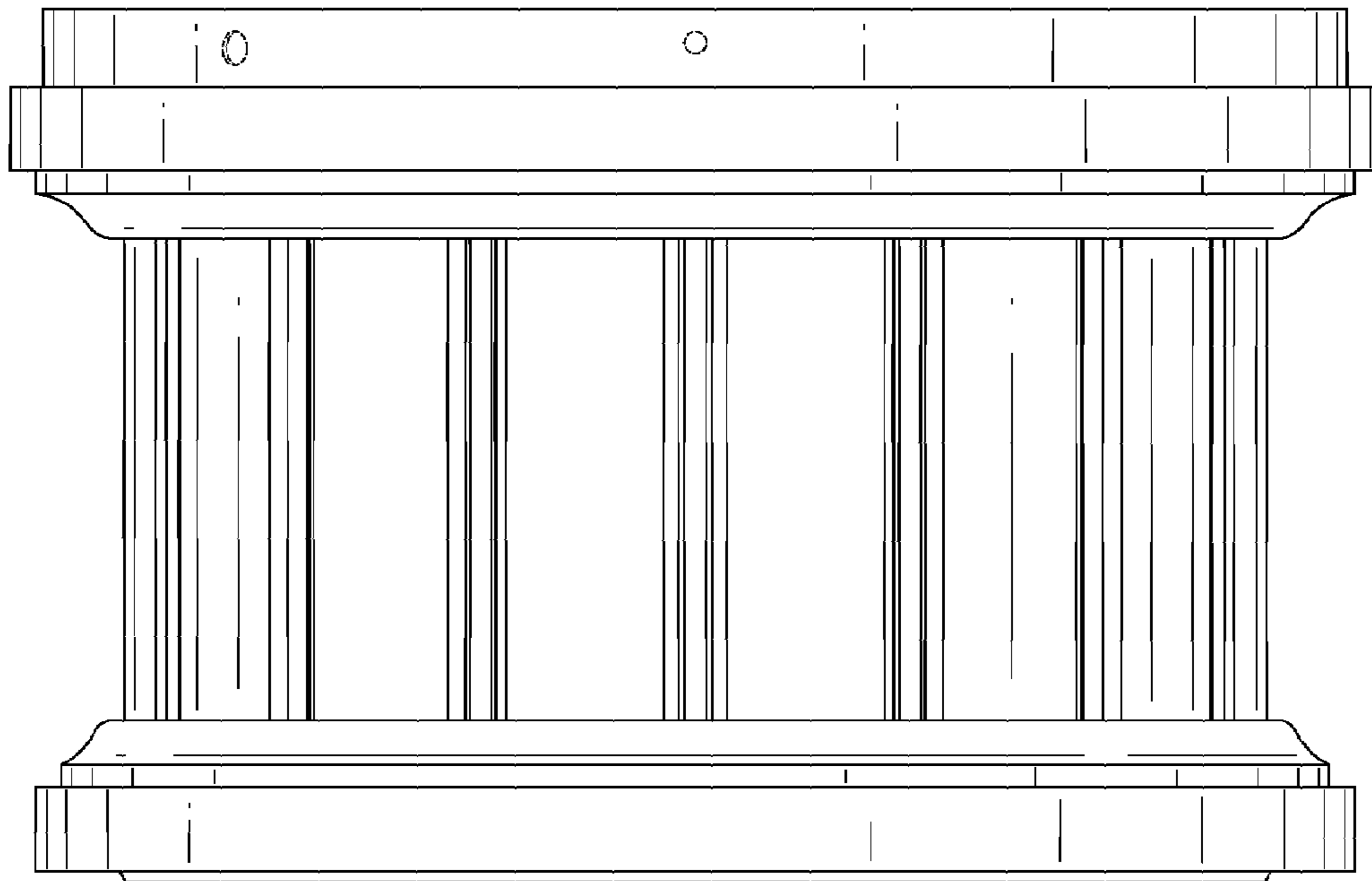


FIG. 2

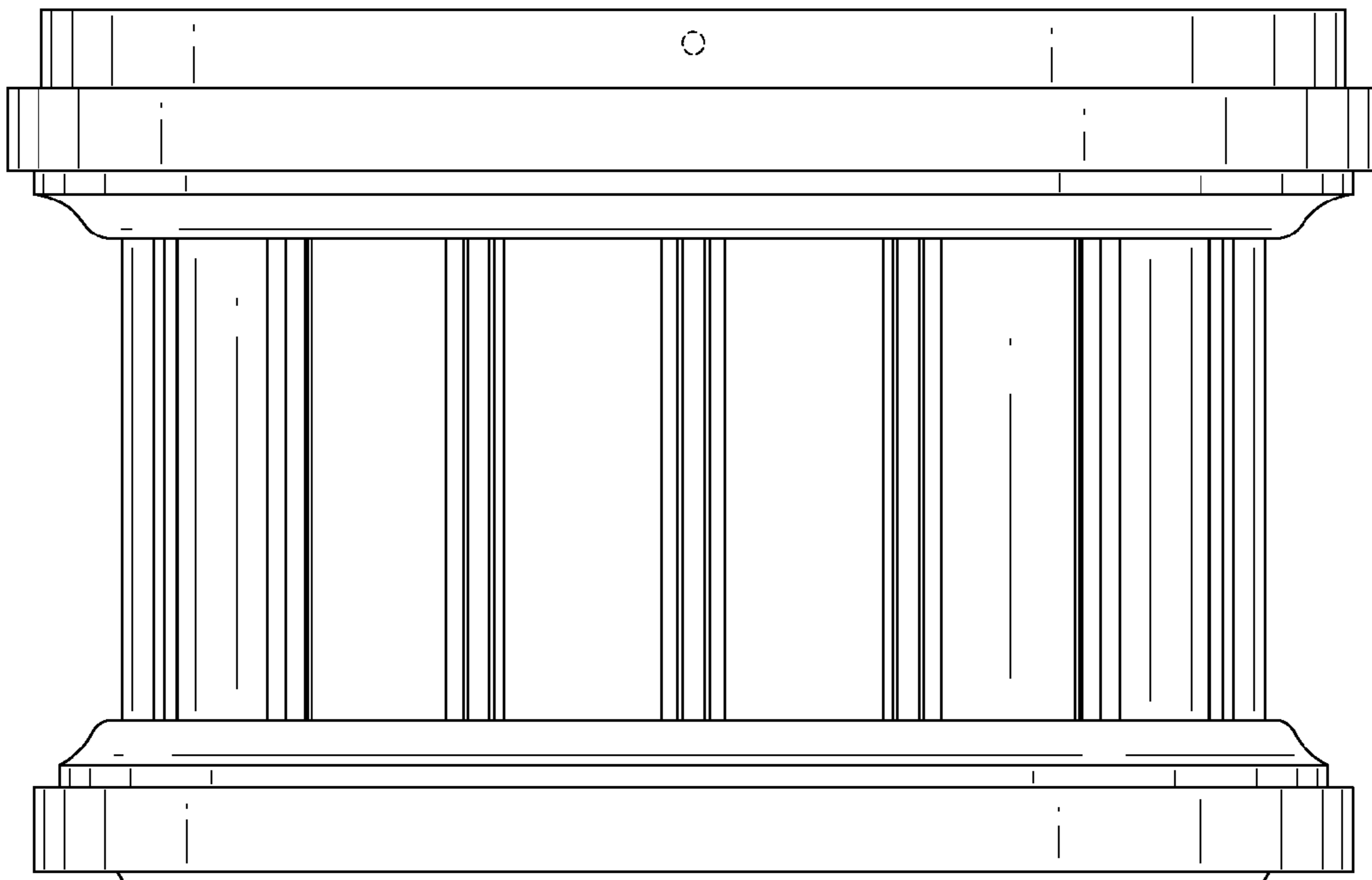


FIG. 3

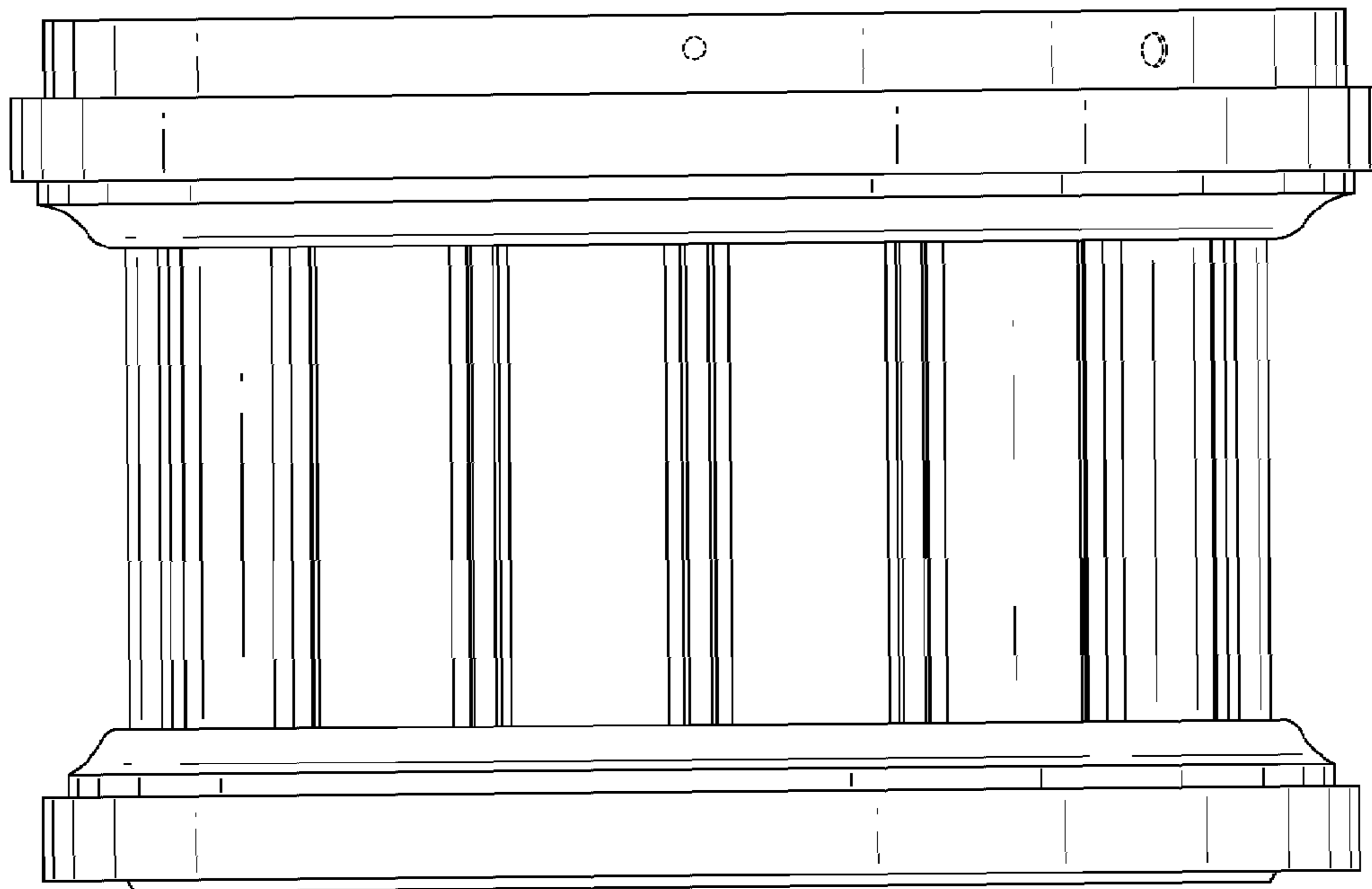


FIG. 4

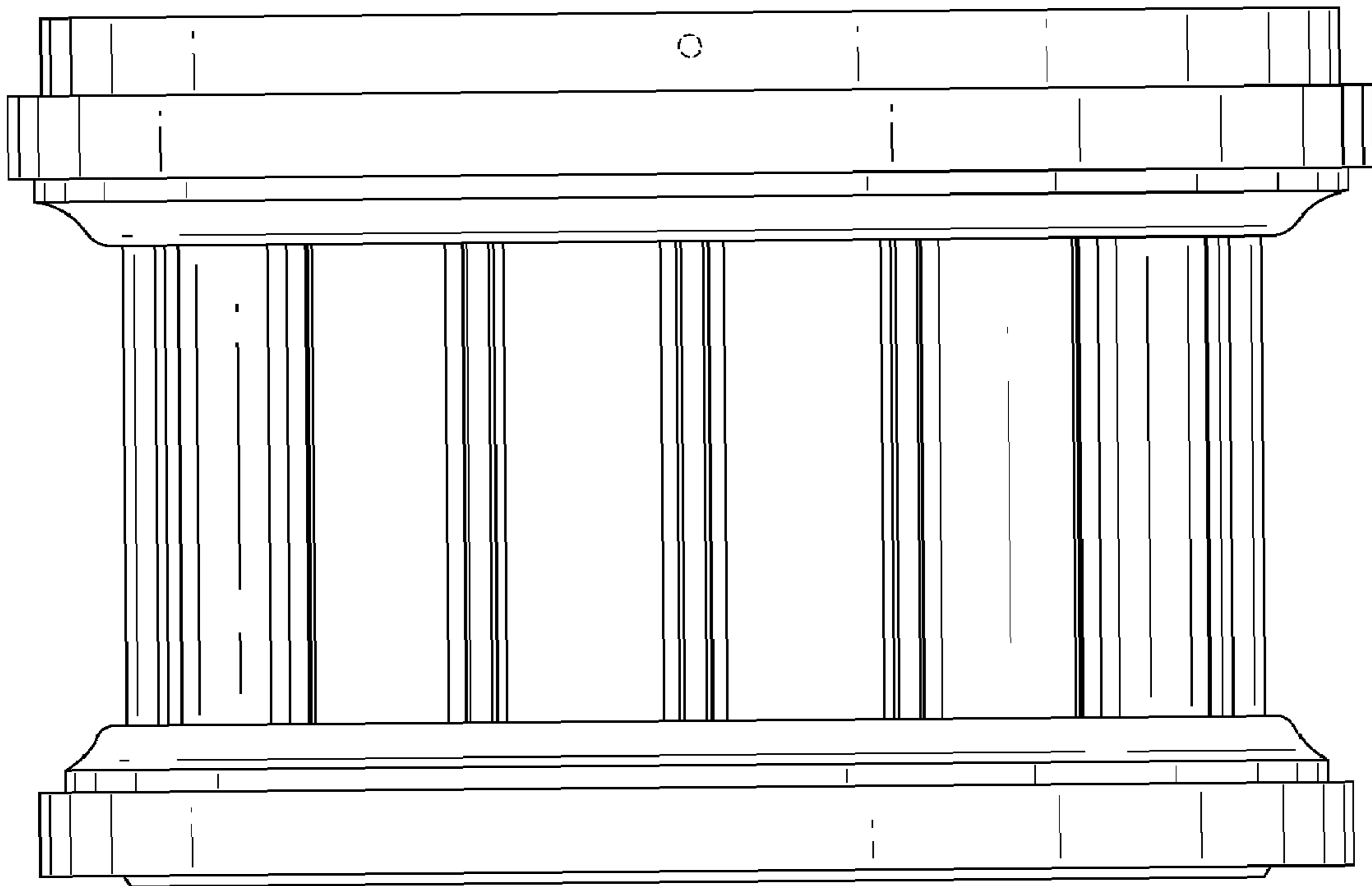


FIG. 5

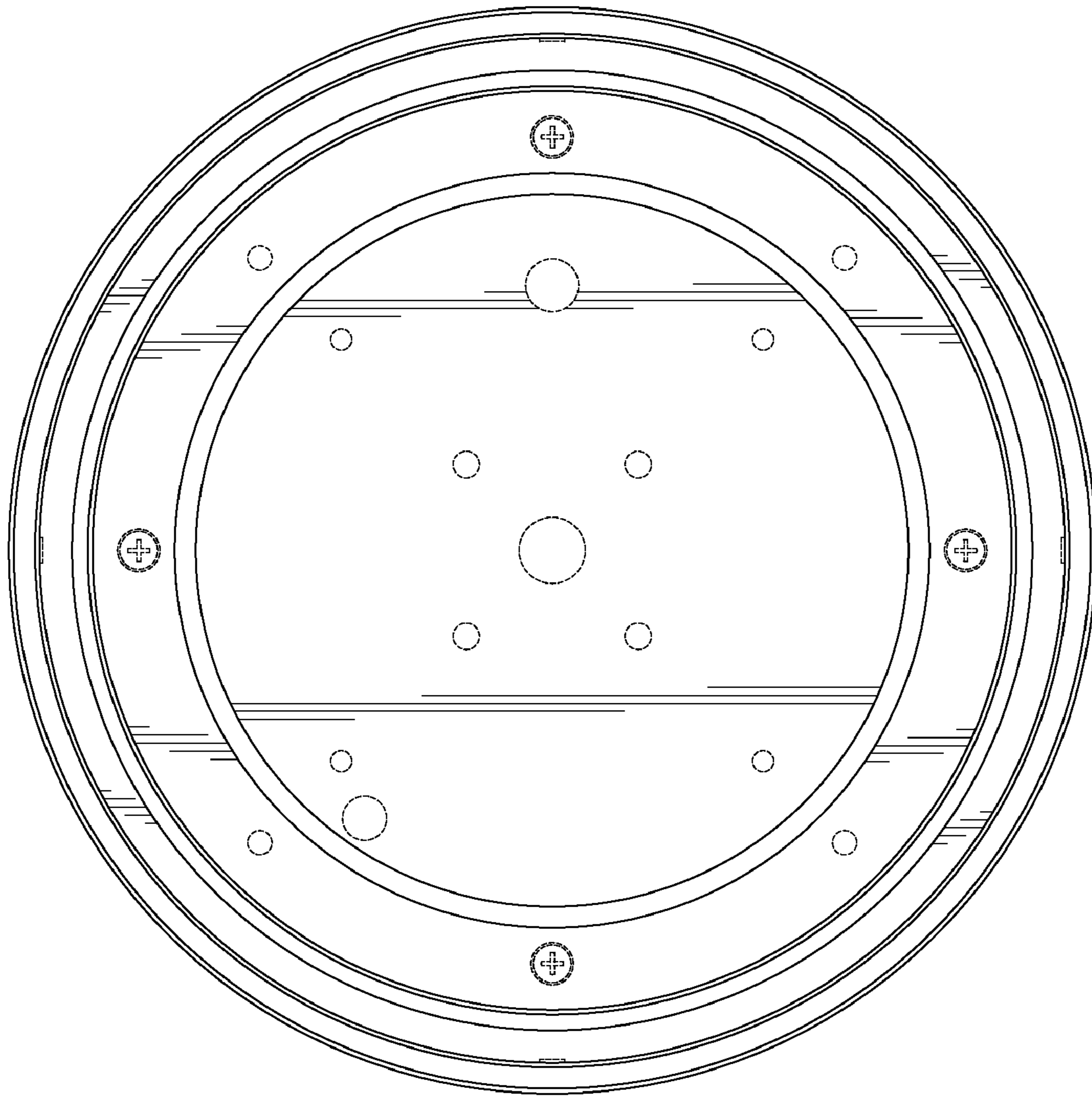


FIG. 6

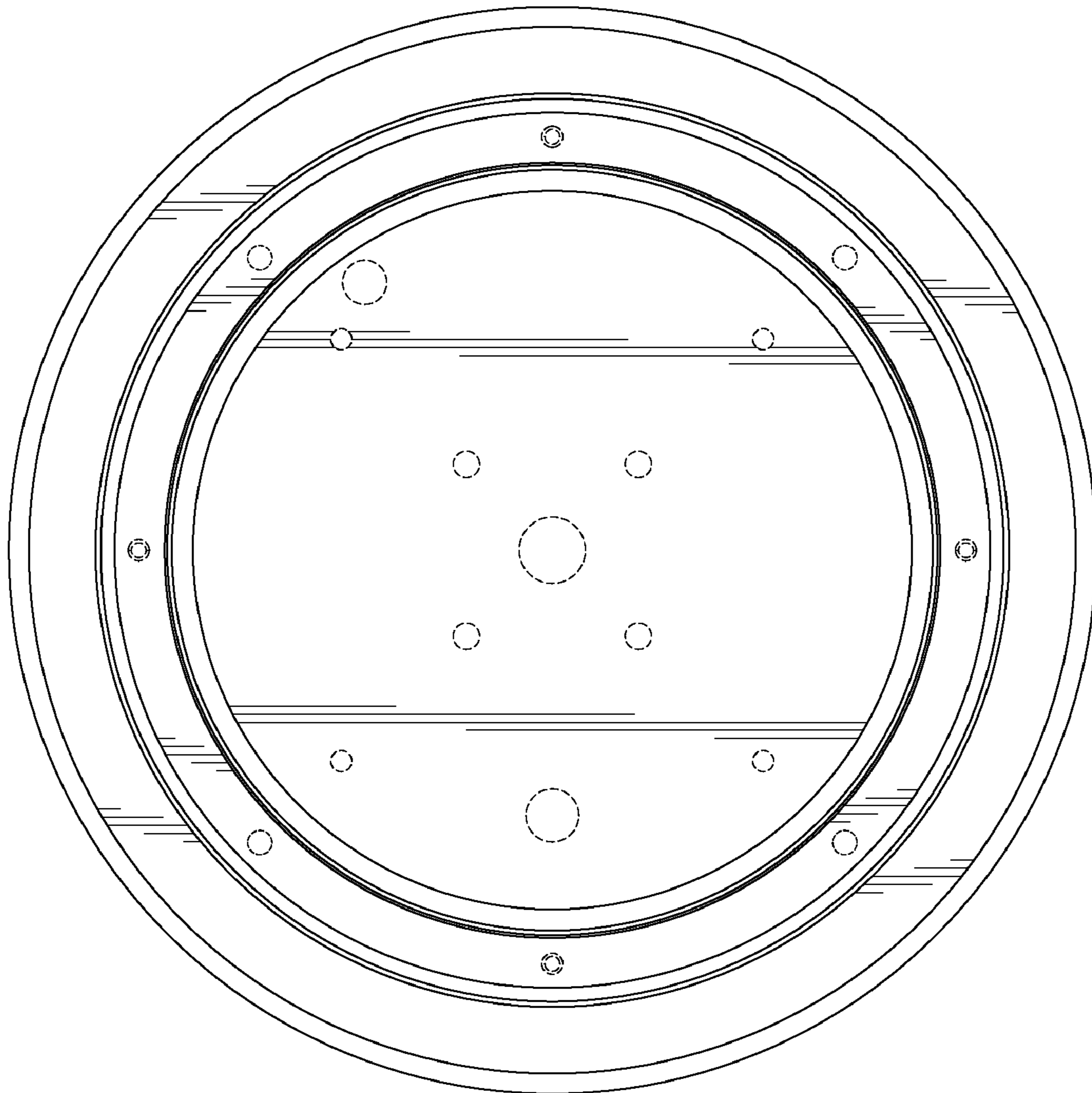


FIG. 7