



US00D596733S

(12) **United States Design Patent**  
**Kihara**

(10) **Patent No.:** **US D596,733 S**

(45) **Date of Patent:** **\*\* Jul. 21, 2009**

(54) **CEILING FAN**

D543,268 S 5/2007 Ertze  
D576,265 S \* 9/2008 Bucher et al. .... D23/377

(75) Inventor: **Takehiko Kihara**, Osaka (JP)

FOREIGN PATENT DOCUMENTS

(73) Assignee: **Panasonic Corporation**, Osaka (JP)

JP D1311907 10/2007

(\*\*) Term: **14 Years**

\* cited by examiner

(21) Appl. No.: **29/330,967**

*Primary Examiner*—Lisa P Lichtenstein  
(74) *Attorney, Agent, or Firm*—Brinks Hofer Gilson & Lione

(22) Filed: **Jan. 16, 2009**

(57) **CLAIM**

(30) **Foreign Application Priority Data**

I claim the ornamental design for a ceiling fan, as shown and described.

Oct. 9, 2008 (JP) ..... 2008-026020

**DESCRIPTION**

(51) **LOC (9) Cl.** ..... **23-04**

FIG. 1 is a bottom perspective view of a ceiling fan of the present invention;

(52) **U.S. Cl.** ..... **D23/377**

FIG. 2 is a front view thereof;

(58) **Field of Classification Search** ..... D23/377,

FIG. 3 is a rear view thereof;

D23/379, 385, 411, 413; 416/5

FIG. 4 is a first side view thereof;

See application file for complete search history.

FIG. 5 is a second side view thereof;

(56) **References Cited**

FIG. 6 is a top view thereof; and,

U.S. PATENT DOCUMENTS

FIG. 7 is a bottom view thereof.

- D393,902 S 4/1998 Pickett
- D397,416 S 8/1998 Lee
- D407,812 S 4/1999 Liu
- D434,490 S \* 11/2000 Tsuji et al. .... D23/411
- D448,840 S 10/2001 Gajewski
- D473,639 S 4/2003 Gajewski
- D476,728 S 7/2003 Gajewski

The broken line showing of the portions of a ceiling fan is included for the purpose of illustrating environmental structure and forms no part of the claimed design.

**1 Claim, 7 Drawing Sheets**

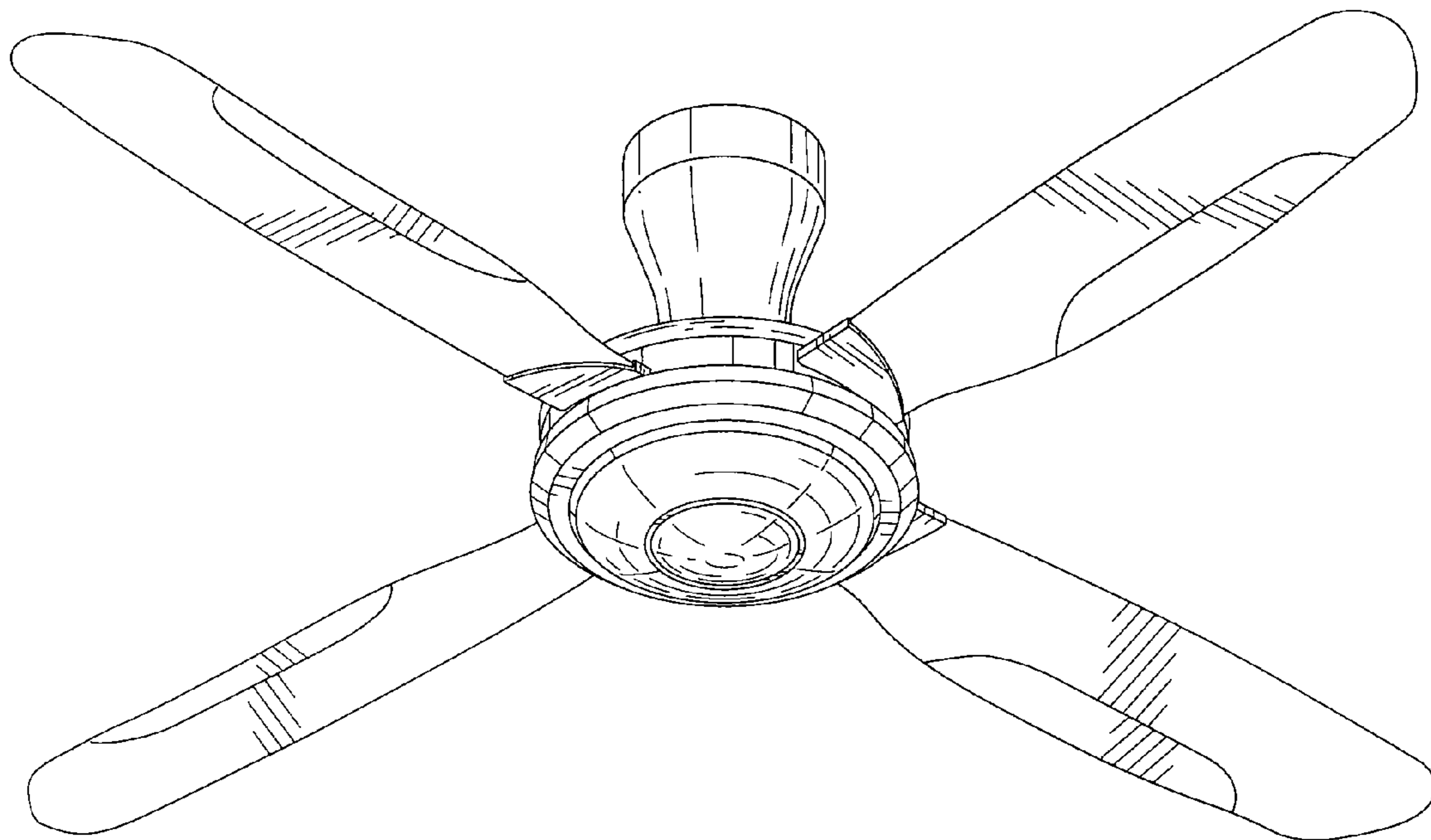


FIG.1

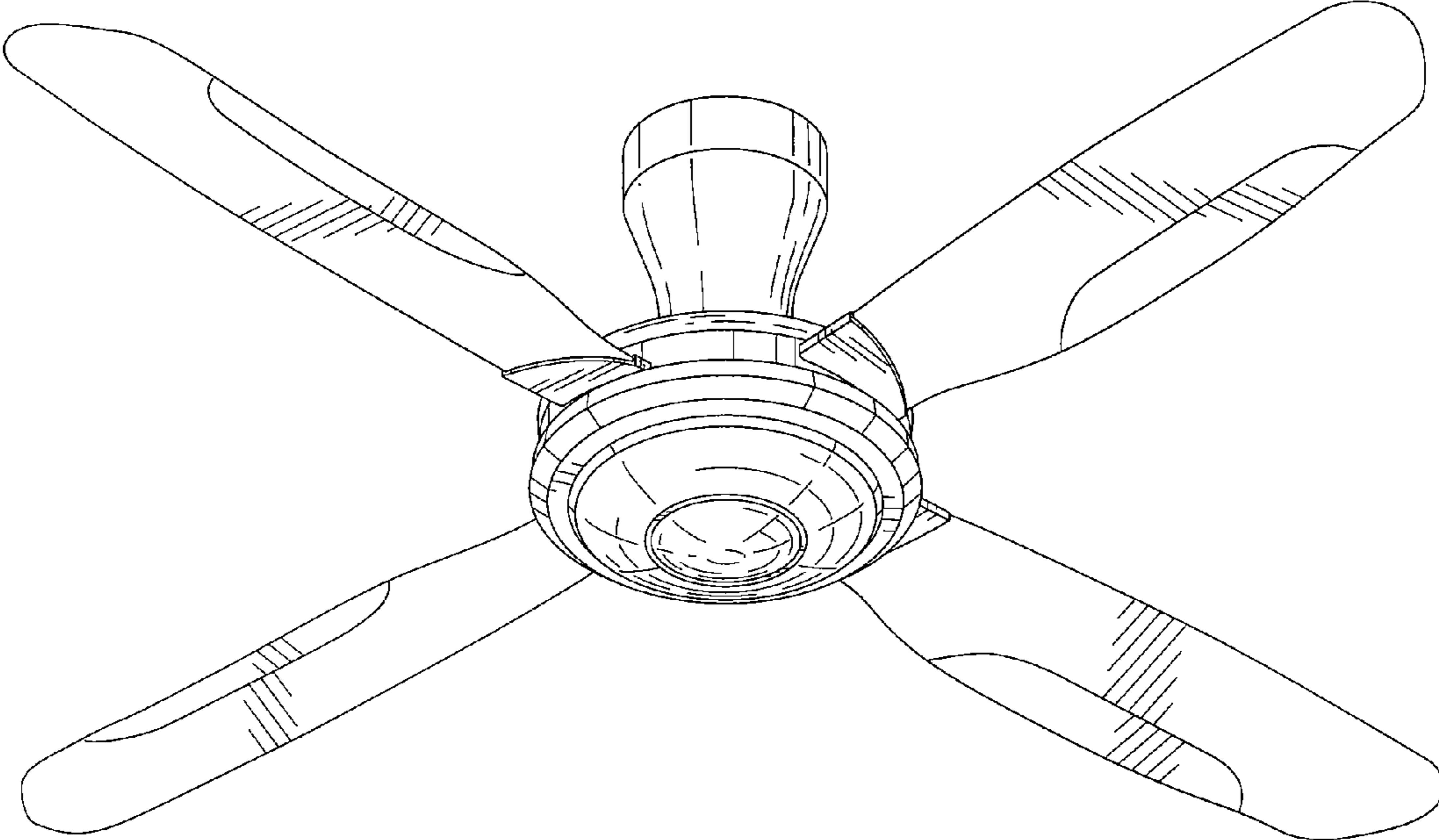


FIG.2

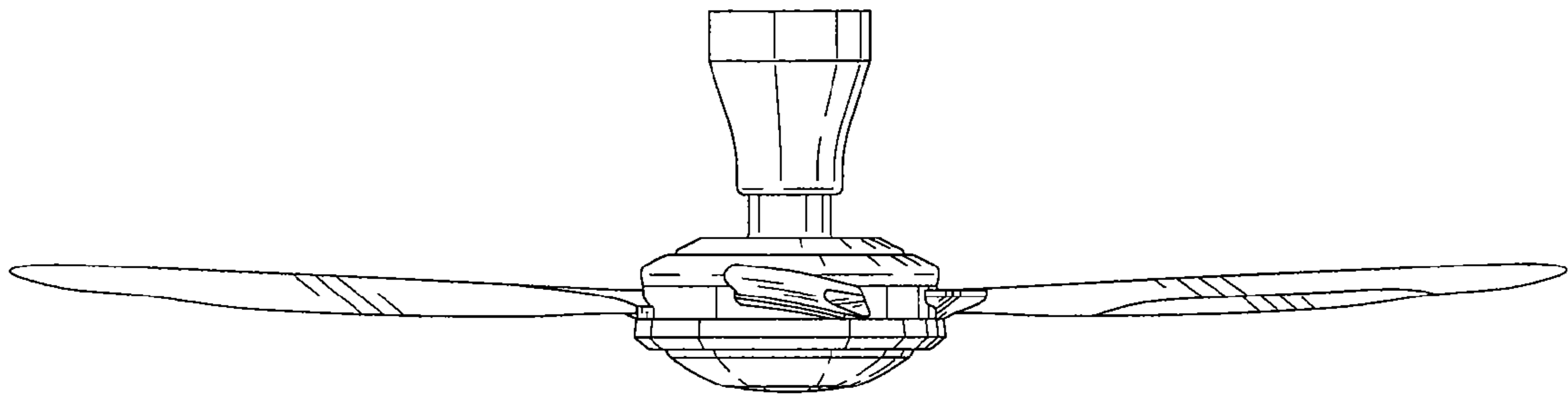


FIG.3

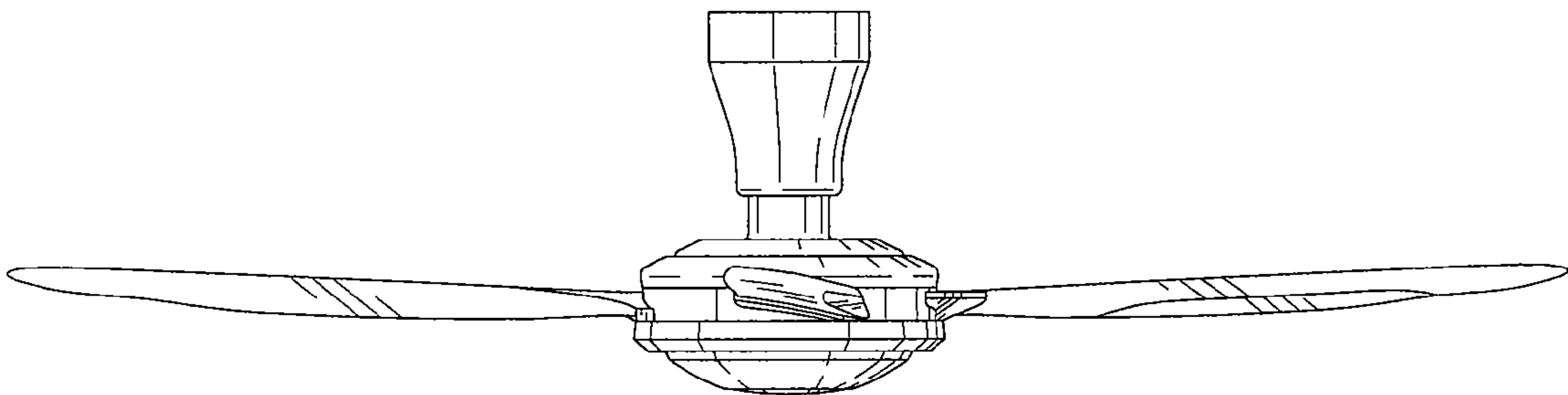


FIG.4

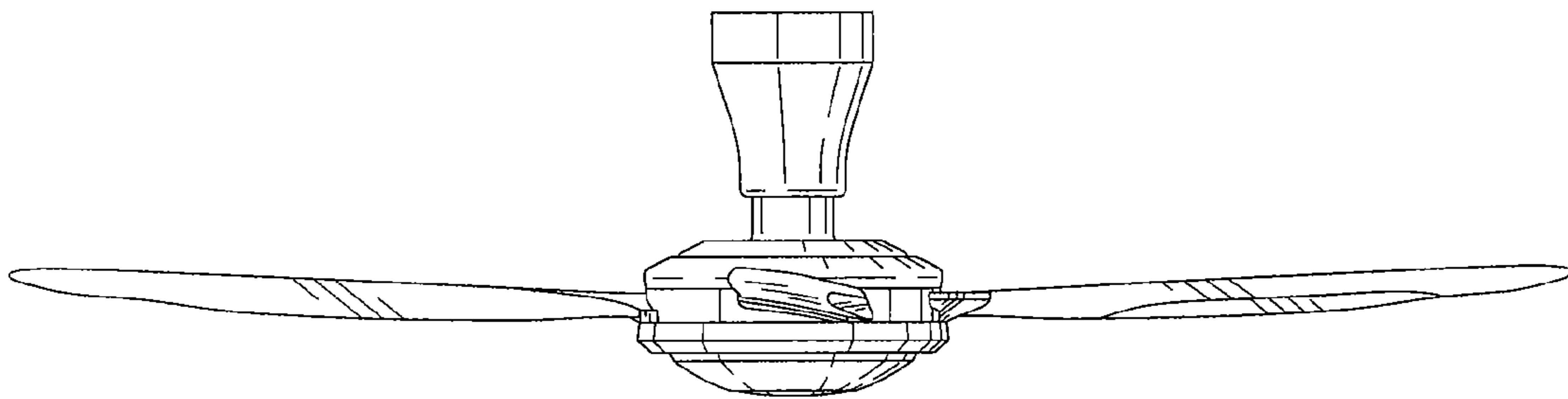


FIG.5

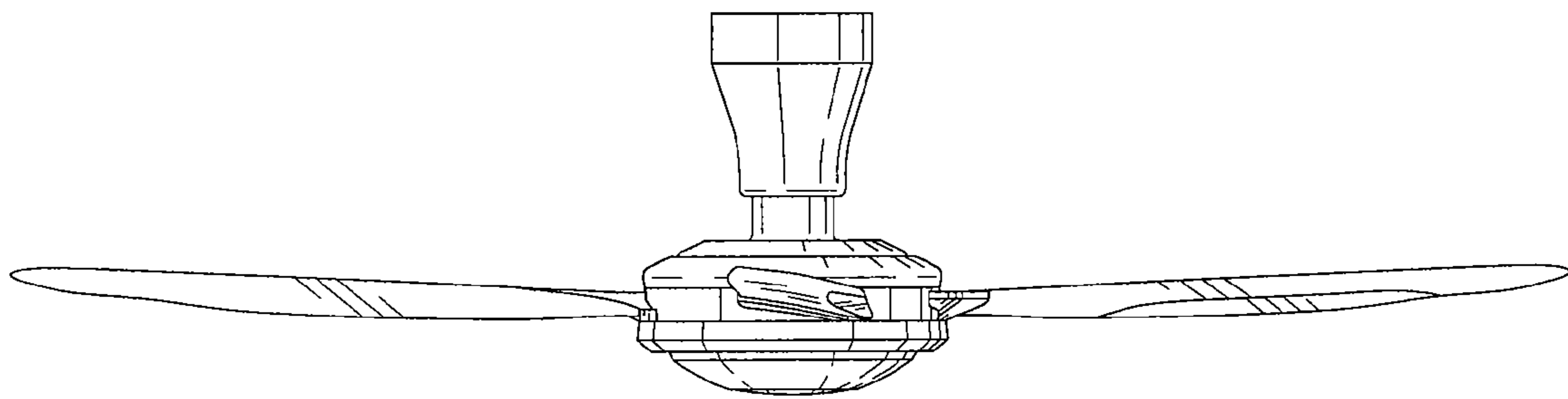


FIG.6

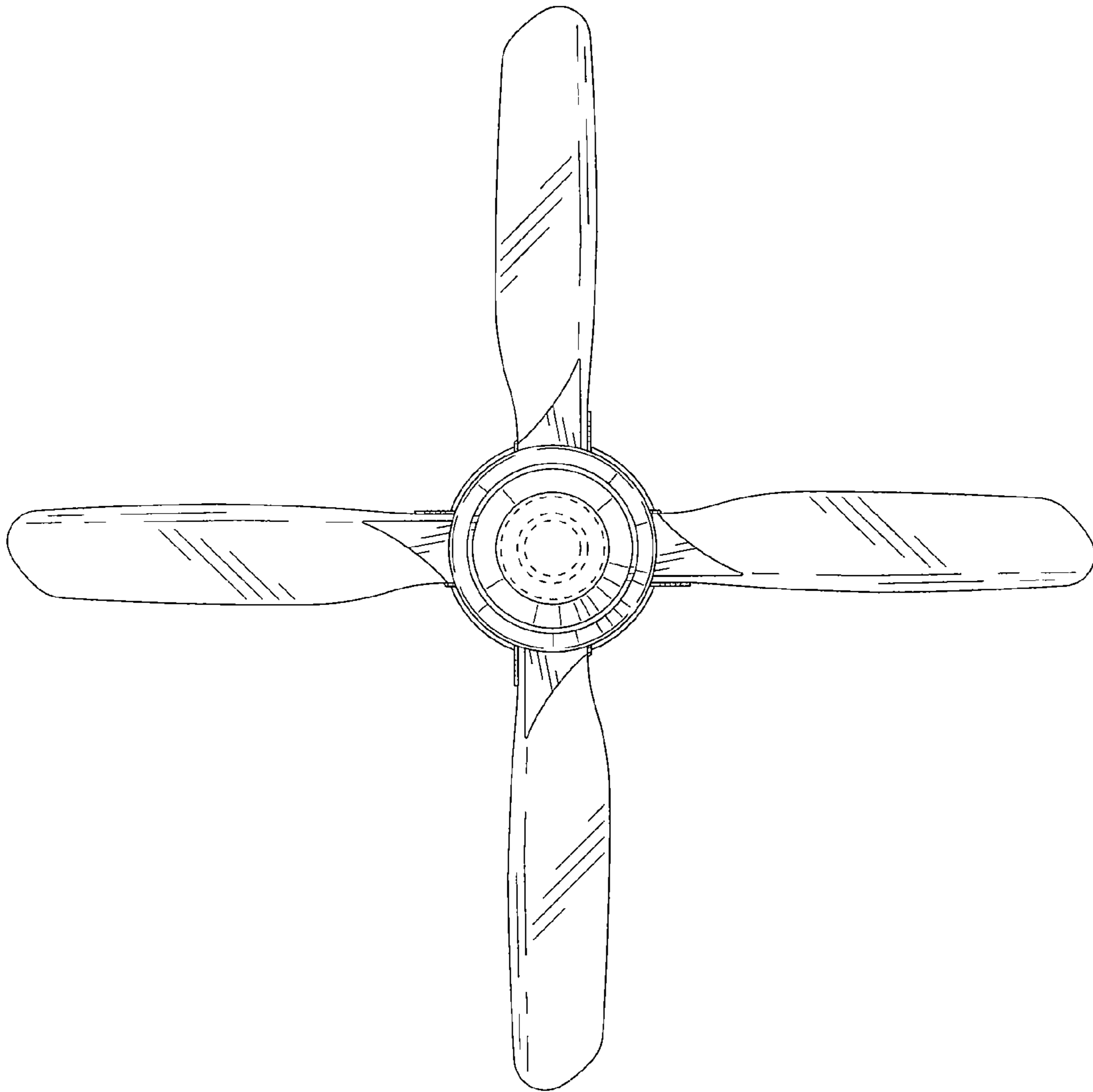


FIG.7

