



US00D596732S

(12) **United States Design Patent**  
**Butler et al.**

(10) **Patent No.:** **US D596,732 S**  
(45) **Date of Patent:** **\*\* Jul. 21, 2009**

(54) **AIR FRESHENER DEVICE**

(75) Inventors: **Martin Butler**, Hull (GB); **Andrea Duddington**, Hull (GB); **Benjamin David Hindle**, Hull (GB); **Laurie Labesque**, Parsippany, NJ (US)

(73) Assignee: **Reckitt Benckiser (UK) Limited**, Slough, Berkshire (GB)

(\*\*) Term: **14 Years**

(21) Appl. No.: **29/323,127**

(22) Filed: **Aug. 19, 2008**

(30) **Foreign Application Priority Data**

Feb. 20, 2008 (EM) ..... 000884655-0001  
Feb. 20, 2008 (EM) ..... 000884655-0002  
Feb. 20, 2008 (EM) ..... 000884655-0003

(51) **LOC (9) Cl.** ..... **28-99**

(52) **U.S. Cl.** ..... **D23/366**

(58) **Field of Classification Search** ..... D23/355-369;  
261/DIG. 17, DIG. 42, DIG. 65, DIG. 88,  
261/DIG. 89; 239/34, 35, 37, 44, 53, 56,  
239/57, 60, 136, 326; 392/386, 390, 394,  
392/395; D28/5, 6

See application file for complete search history.

(56) **References Cited**

**U.S. PATENT DOCUMENTS**

1,043,159 A \* 11/1912 Sleeper ..... 239/44  
2,471,949 A \* 5/1949 Gilowitz ..... 239/44

2,491,124 A \* 12/1949 Martin ..... 47/81  
D434,481 S \* 11/2000 Bornstein et al. .... D23/360  
D438,606 S \* 3/2001 Jackson ..... D23/355  
D439,318 S \* 3/2001 Jackson ..... D23/355  
D439,644 S \* 3/2001 Jackson ..... D23/355  
D513,479 S \* 1/2006 Behrens ..... D11/144  
D581,035 S \* 11/2008 Conway et al. .... D23/366  
2008/0308648 A1\* 12/2008 Pesu ..... 239/44

\* cited by examiner

*Primary Examiner*—Sandra Snapp

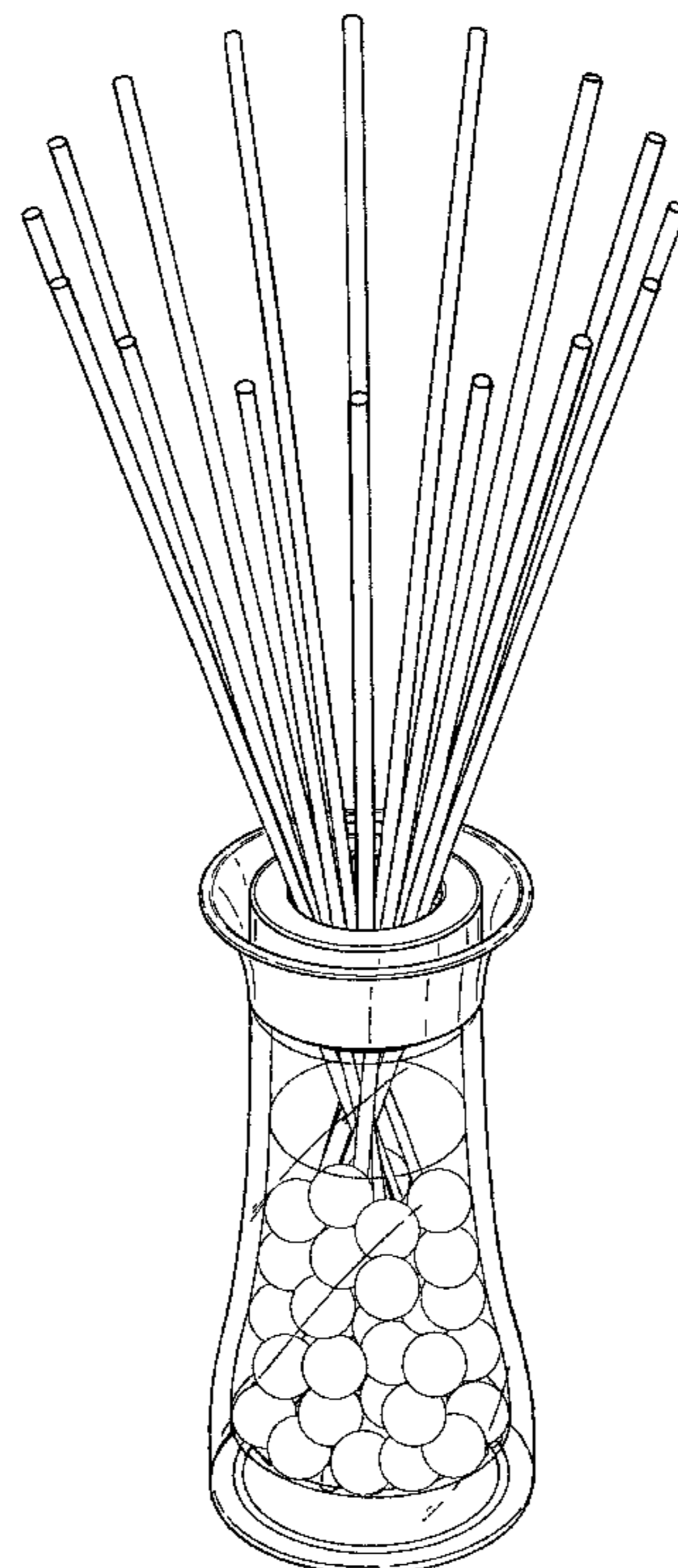
(57) **CLAIM**

The ornamental design for an air freshener device, as shown and described.

**DESCRIPTION**

FIG. 1 is a front perspective view of our air freshener device; FIG. 2 is an elevation view of the front thereof, the rear and side view being identical thereto; FIG. 3 is a plan view of the top thereof; and, FIG. 4 is a plan view of the bottom thereof.

**1 Claim, 3 Drawing Sheets**



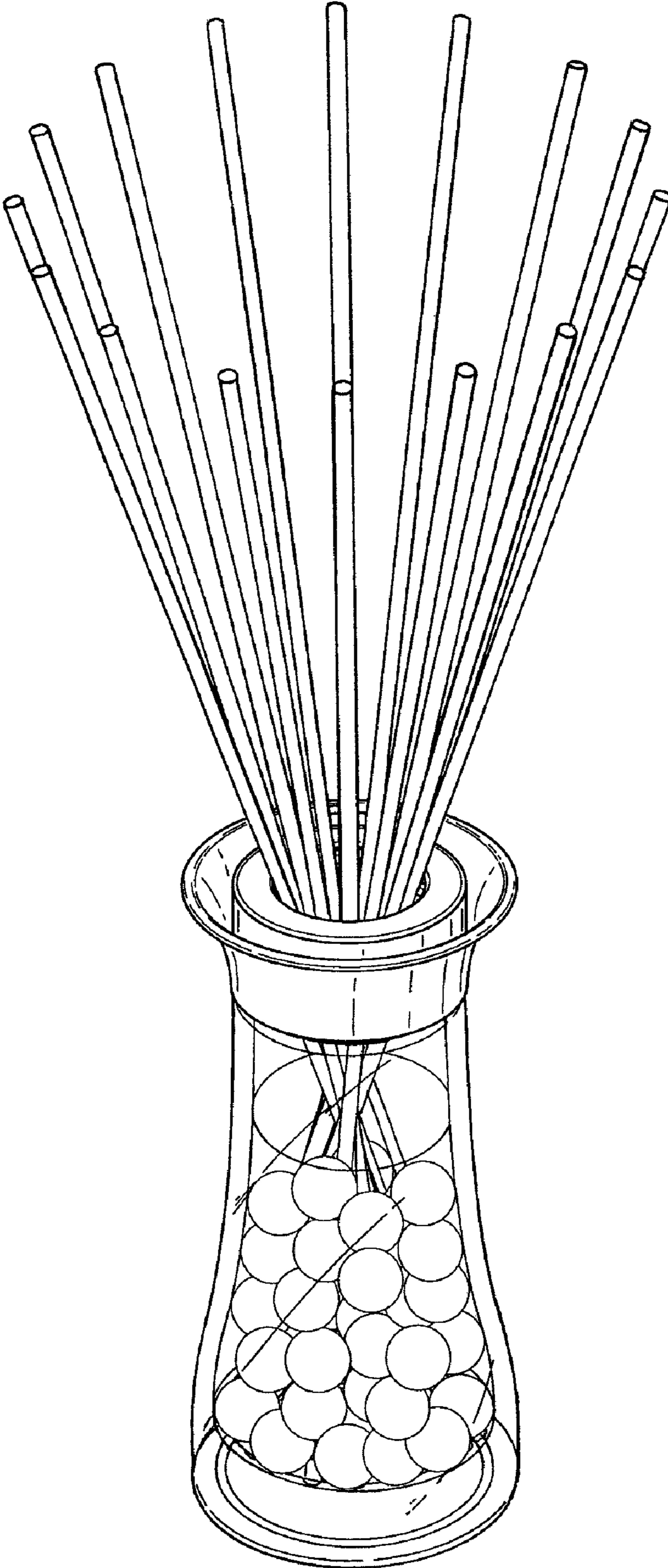
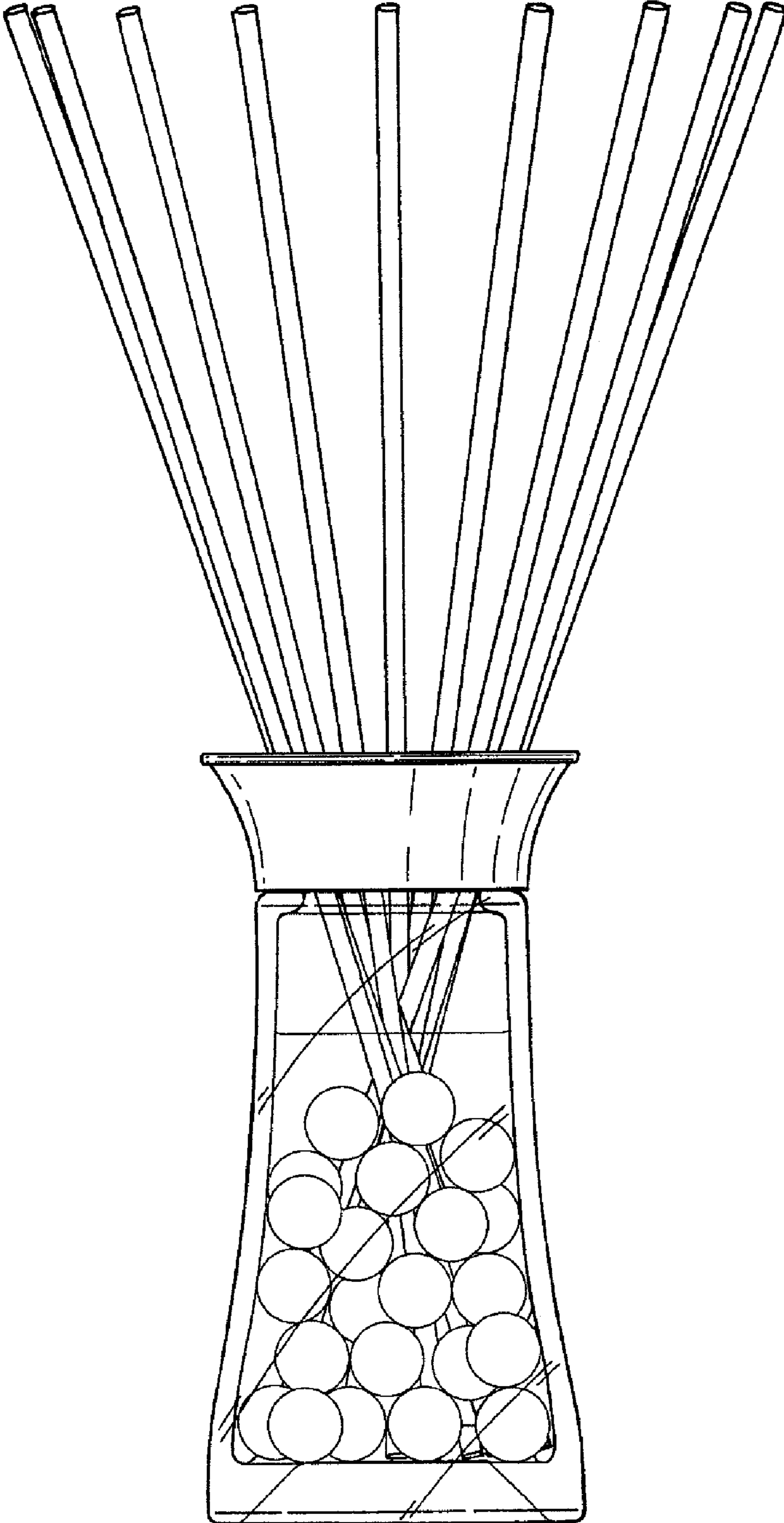
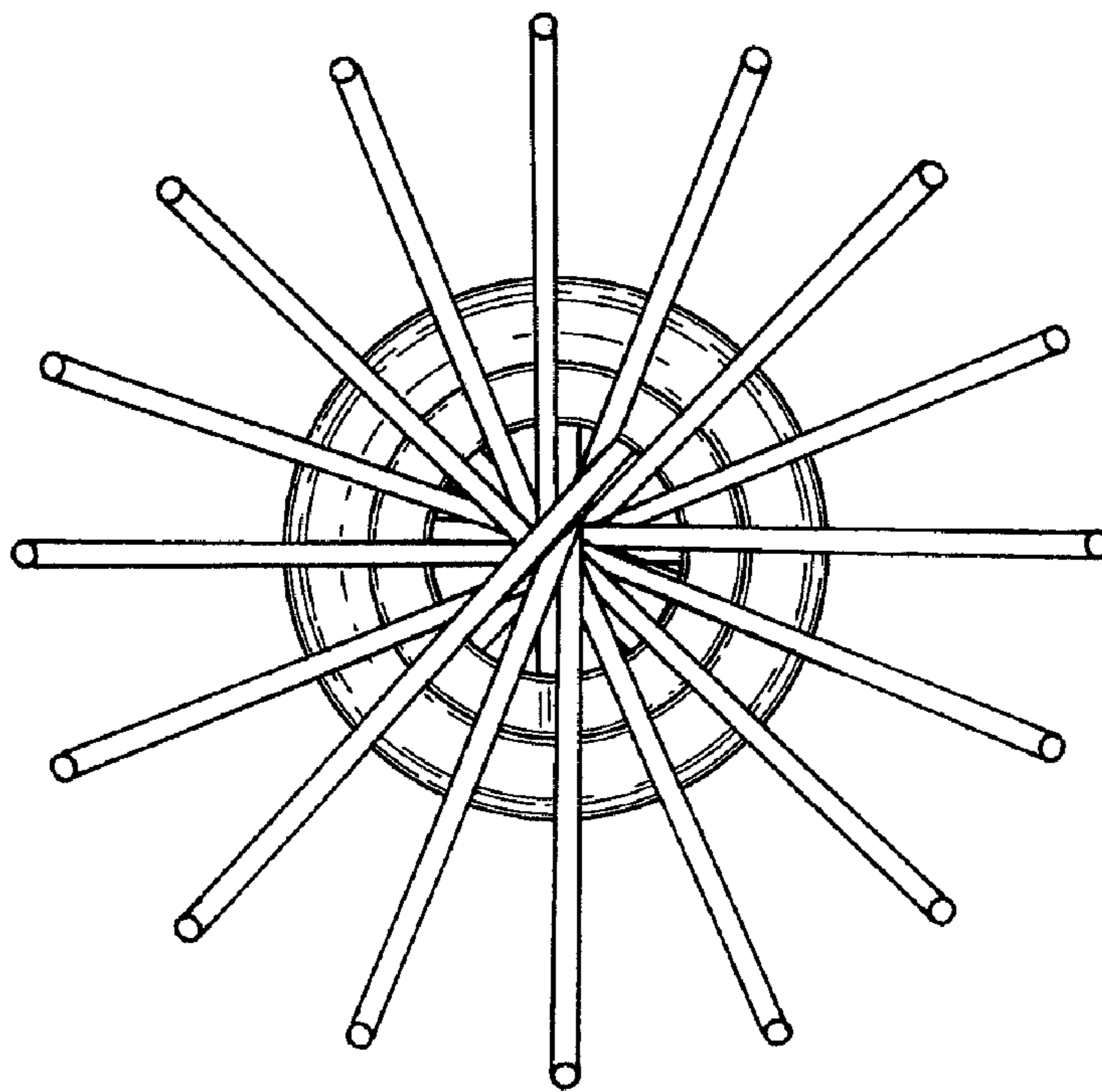


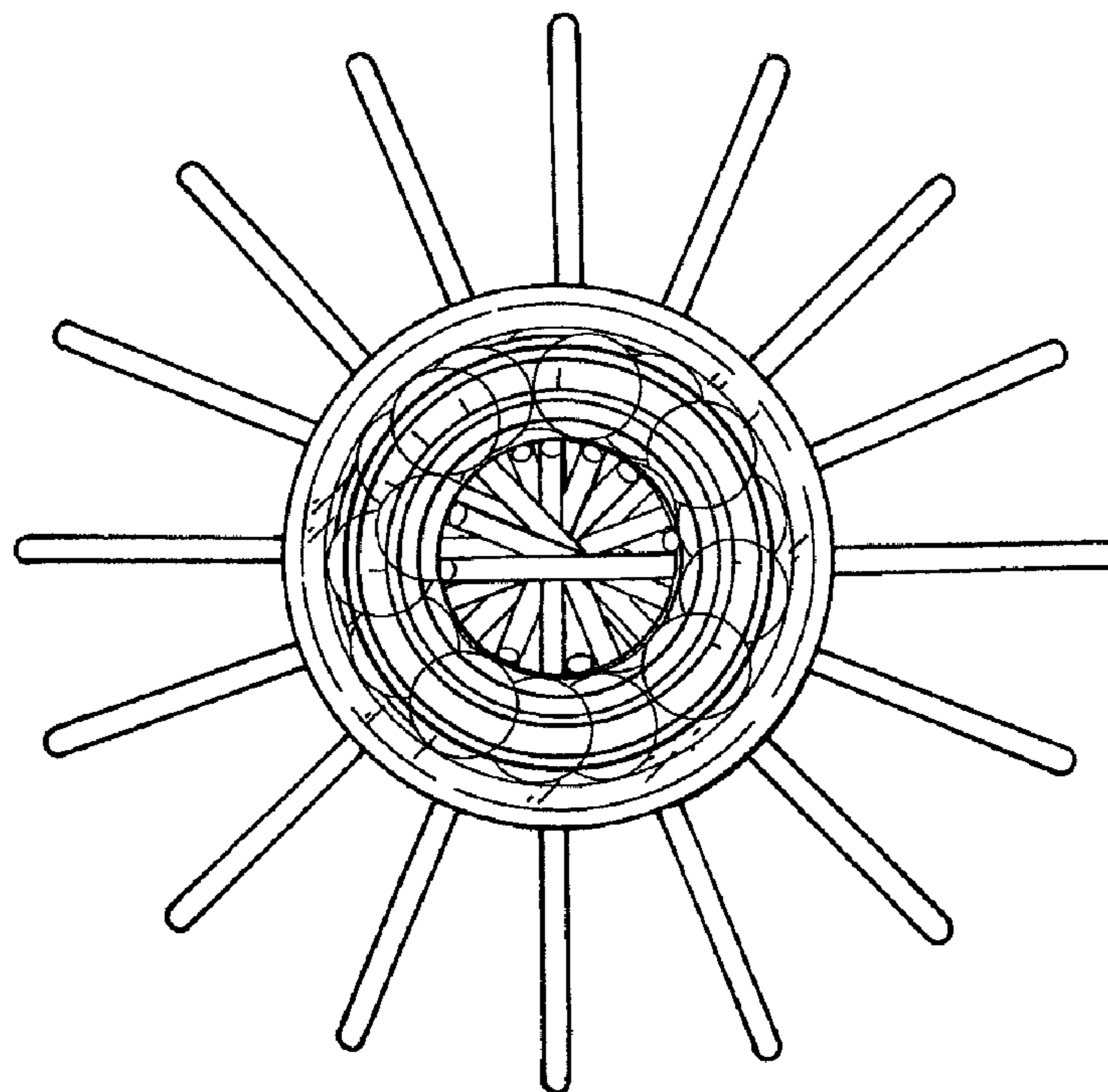
Fig. 1



**Fig. 2**



**Fig. 3**



**Fig. 4**