

US00D596730S

(12) **United States Design Patent**  
**Langley et al.**

(10) **Patent No.:** **US D596,730 S**  
(45) **Date of Patent:** **\*\* Jul. 21, 2009**

(54) **AIR FRESHENER DEVICE**

(75) Inventors: **Kate Langley**, Hull (GB); **Mark Thomas**, St. Peters, MO (US); **Matthew Copeman**, Hull (GB)

(73) Assignee: **Reckitt Benckiser (UK) Limited**, Slough, Berkshire (GB)

(\*\*) Term: **14 Years**

(21) Appl. No.: **29/317,565**

(22) Filed: **May 1, 2008**

(30) **Foreign Application Priority Data**

Nov. 5, 2007 (EM) ..... 000867890-0002

(51) **LOC (9) Cl.** ..... **28-99**

(52) **U.S. Cl.** ..... **D23/366**

(58) **Field of Classification Search** ..... D23/355-369;  
261/DIG. 17, DIG. 42, DIG. 65, DIG. 88,  
261/DIG. 89; 239/34, 35, 37, 44, 53, 56,  
239/57, 60, 136, 326; 392/386, 390, 394,  
392/395; D28/5, 6

See application file for complete search history.

(56) **References Cited**

**U.S. PATENT DOCUMENTS**

5,483,616 A \* 1/1996 Chiu et al. .... 392/406  
D383,201 S \* 9/1997 Jane' et al. .... D23/358  
D384,140 S \* 9/1997 Jane' et al. .... D23/356

D432,222 S \* 10/2000 Rymer et al. .... D23/366  
D433,744 S \* 11/2000 Basaganas ..... D23/366  
D461,549 S \* 8/2002 Garcia ..... D23/360  
D539,892 S \* 4/2007 Caserta et al. .... D23/366  
D542,902 S \* 5/2007 Caserta et al. .... D23/366  
D542,903 S \* 5/2007 Caserta et al. .... D23/366  
D548,318 S \* 8/2007 Copeman ..... D23/366  
D556,311 S \* 11/2007 Copeman ..... D23/366

\* cited by examiner

*Primary Examiner*—Sandra Snapp

(57) **CLAIM**

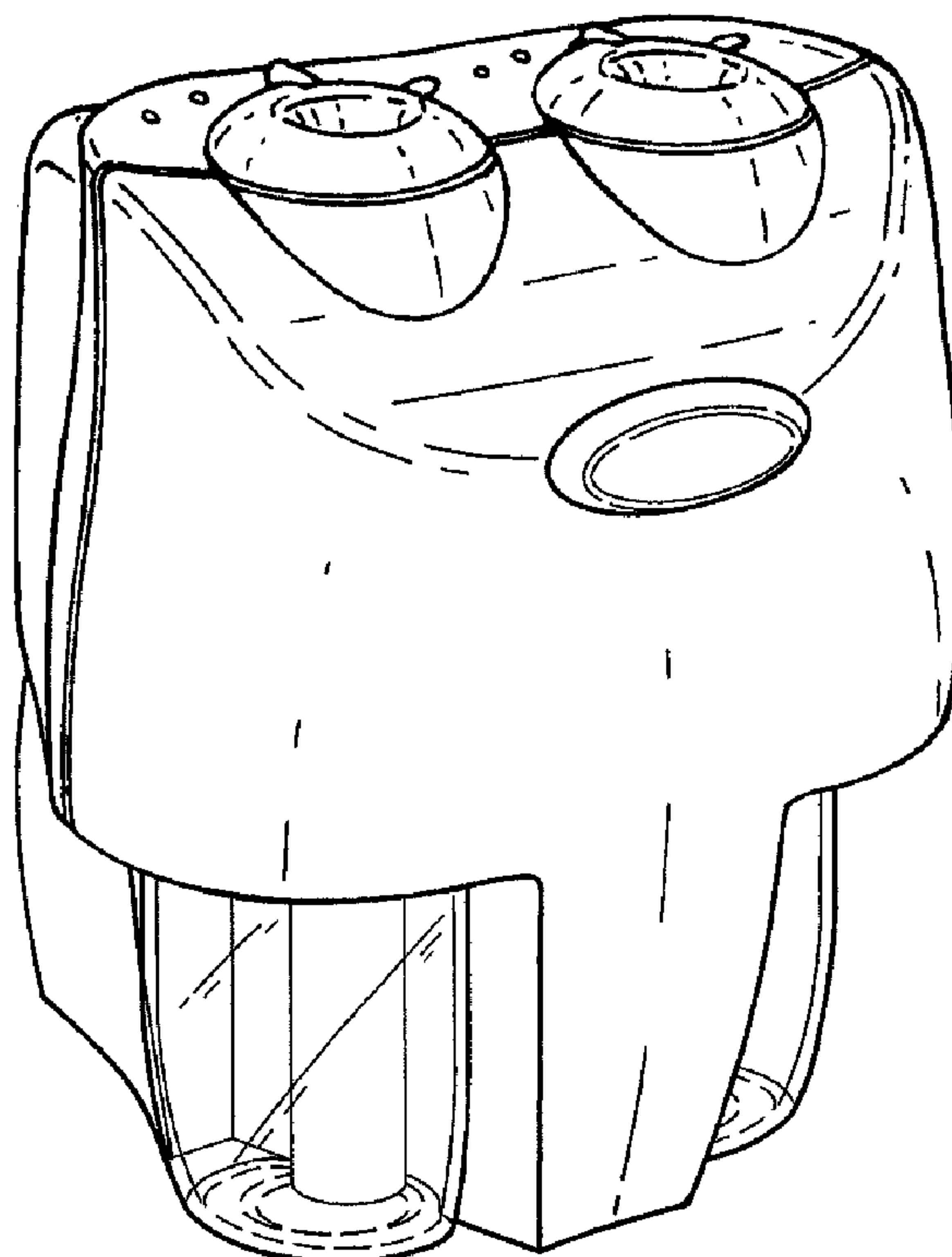
The ornamental design for an air freshener device, as shown and described.

**DESCRIPTION**

FIG. 1 is a front perspective view of our air freshener device; FIG. 2 is an elevation view of the front thereof; FIG. 3 is an elevation view of the rear thereof; FIG. 4 is an elevation view of the right side thereof; FIG. 5 is an elevation view of the left side thereof; FIG. 6 is a plan view of the top thereof; and, FIG. 7 is a plan view of the bottom thereof.

The broken lines shown in the drawings are included for illustrative purposes only and form no part of the claimed design.

**1 Claim, 4 Drawing Sheets**



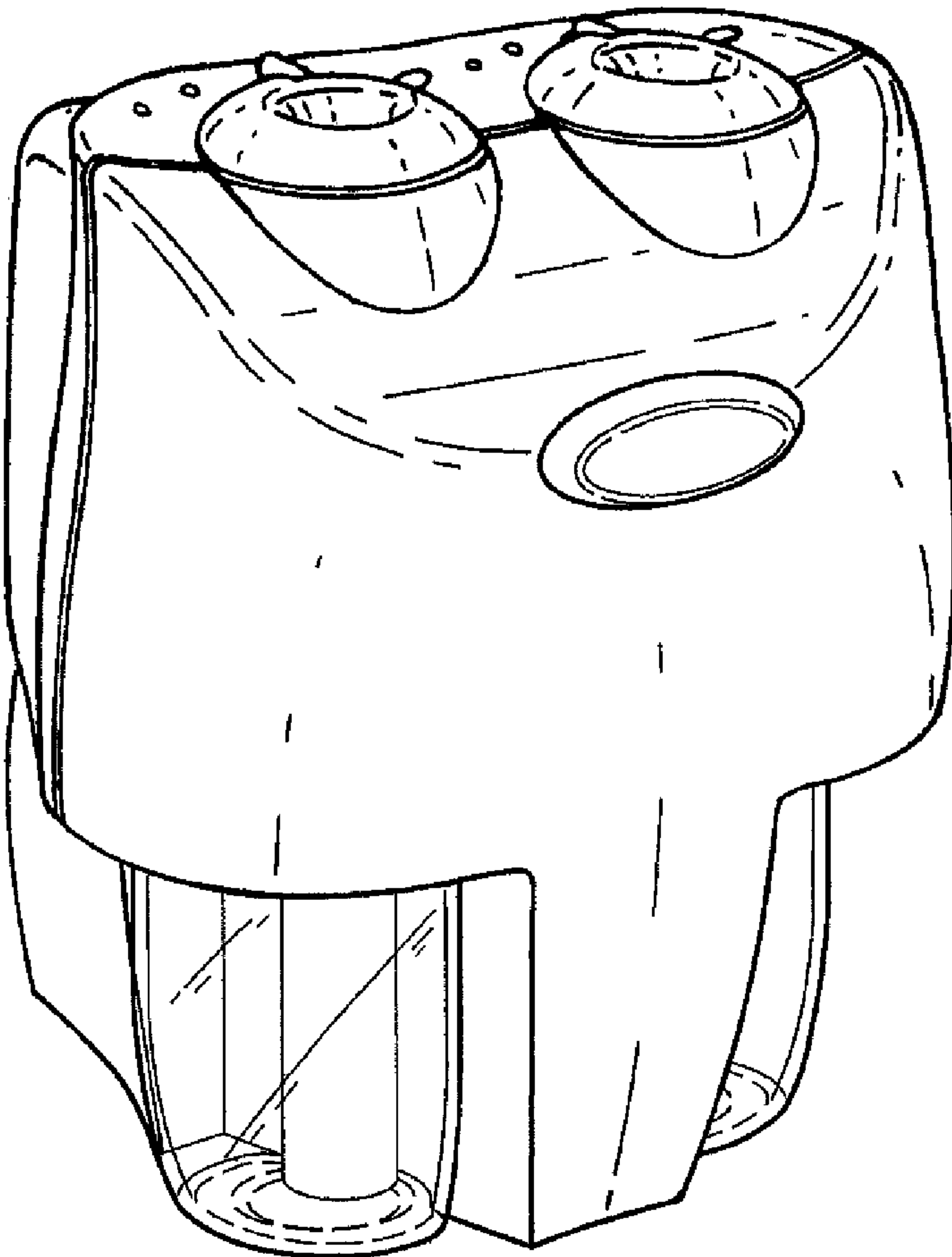


Fig. 1.

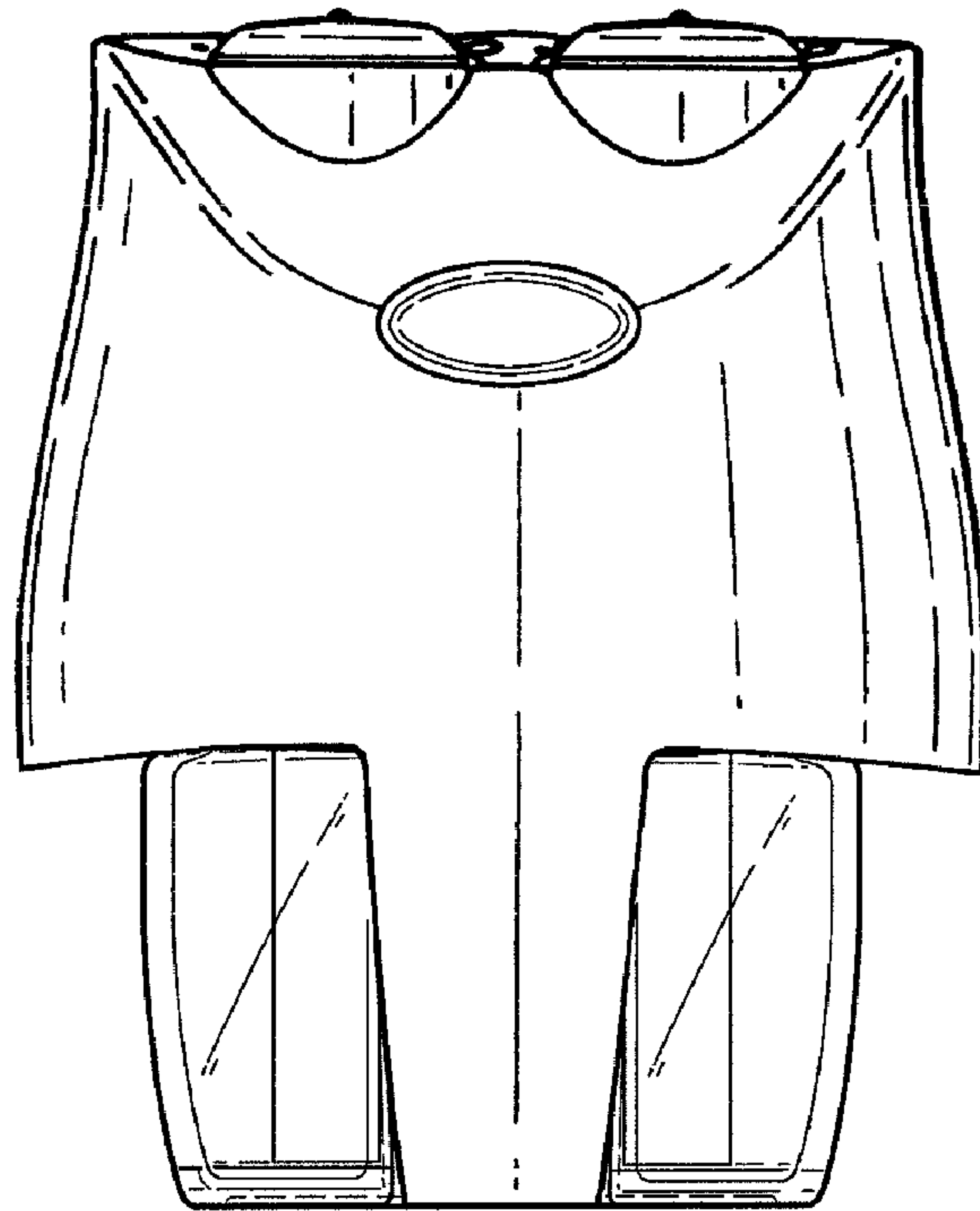


Fig.2.

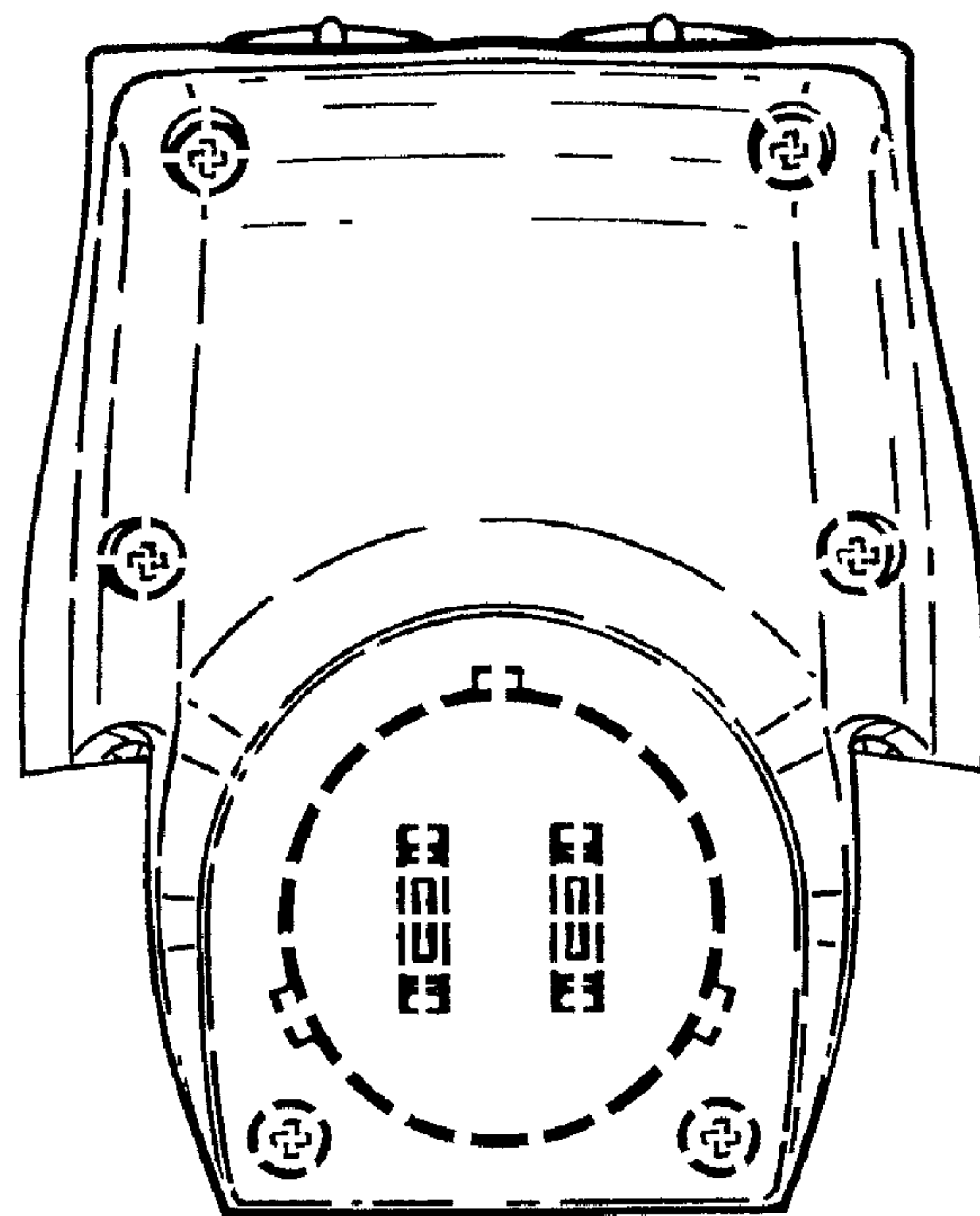


Fig.3.

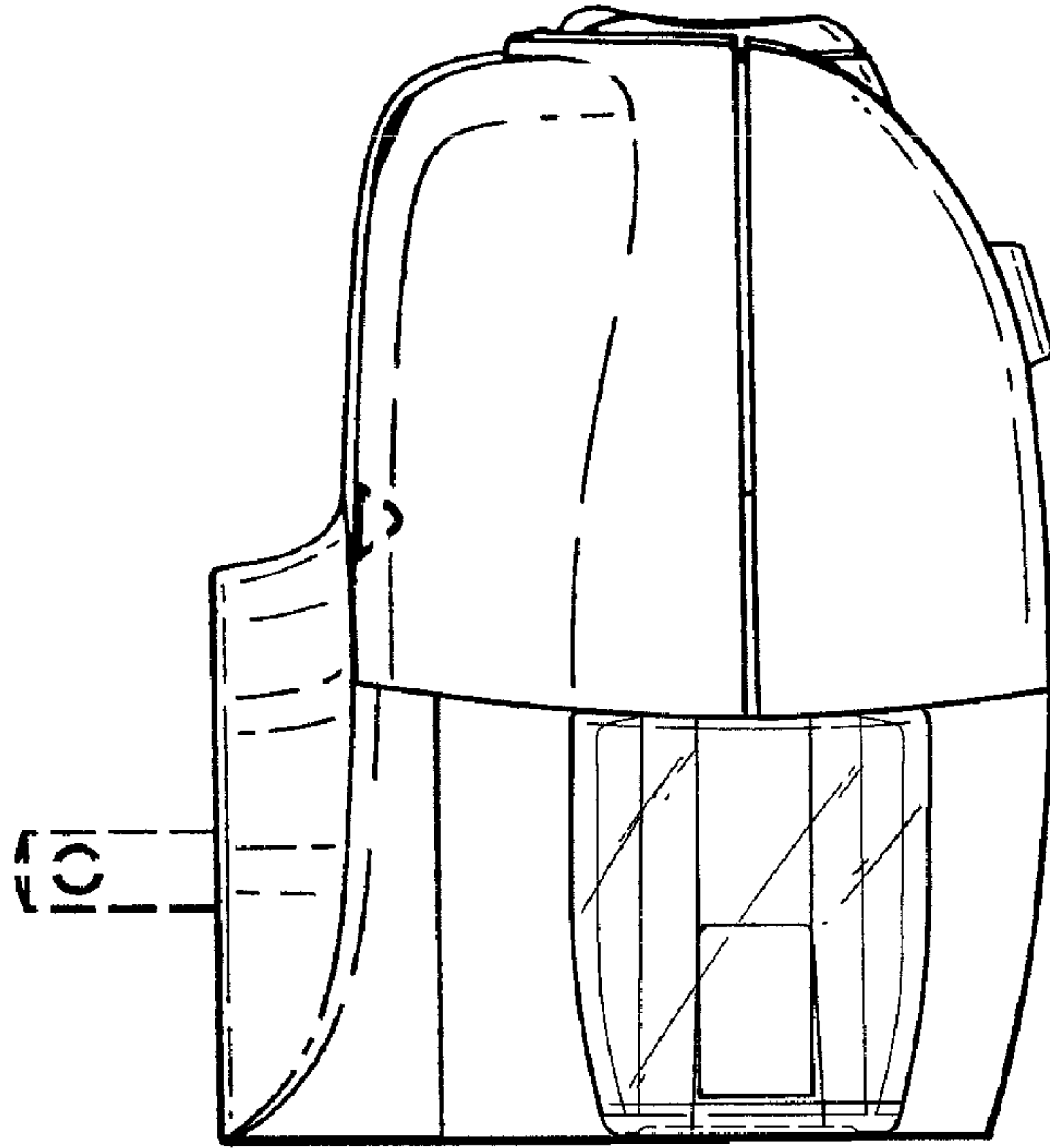


Fig.4.

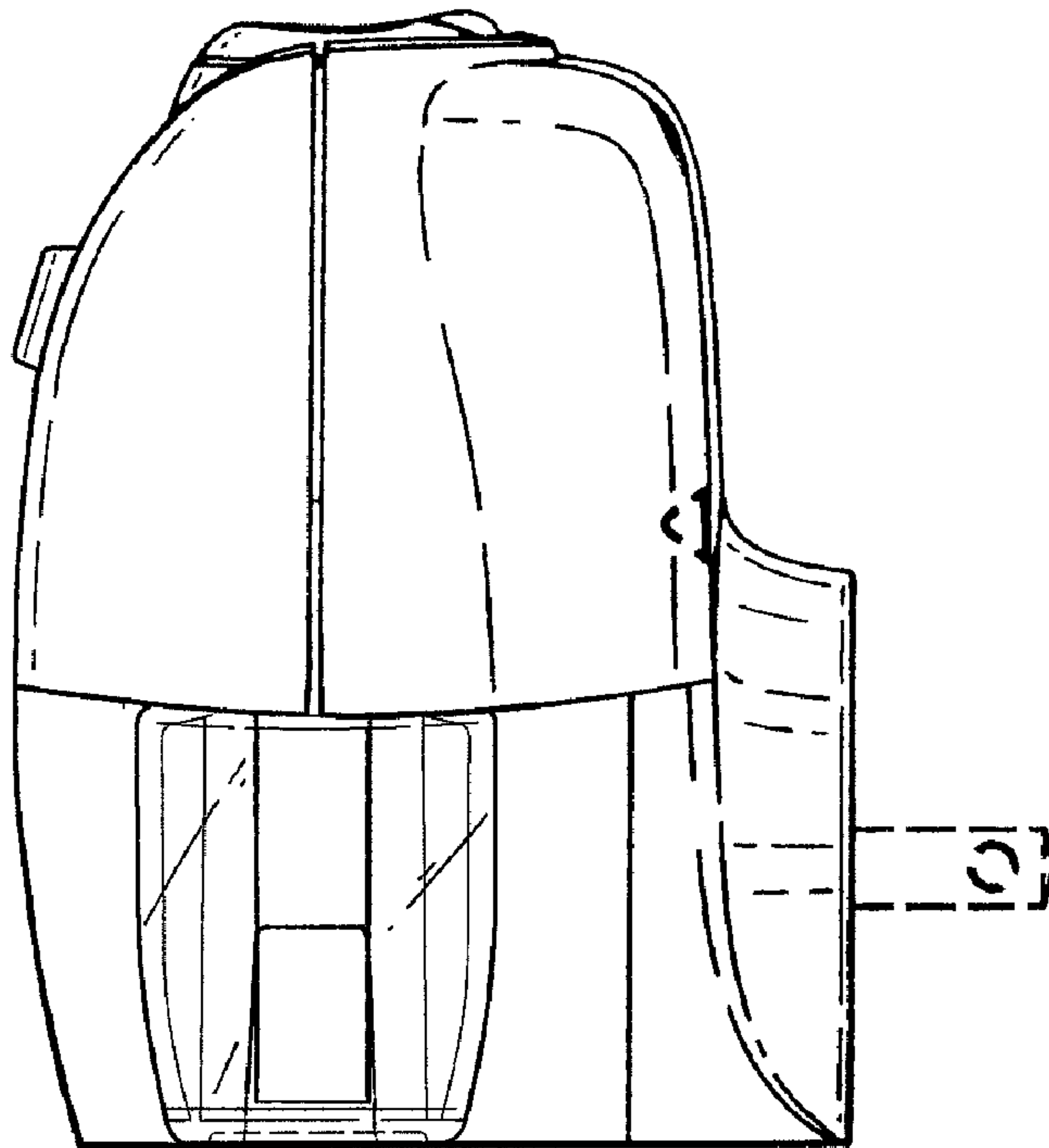


Fig.5.

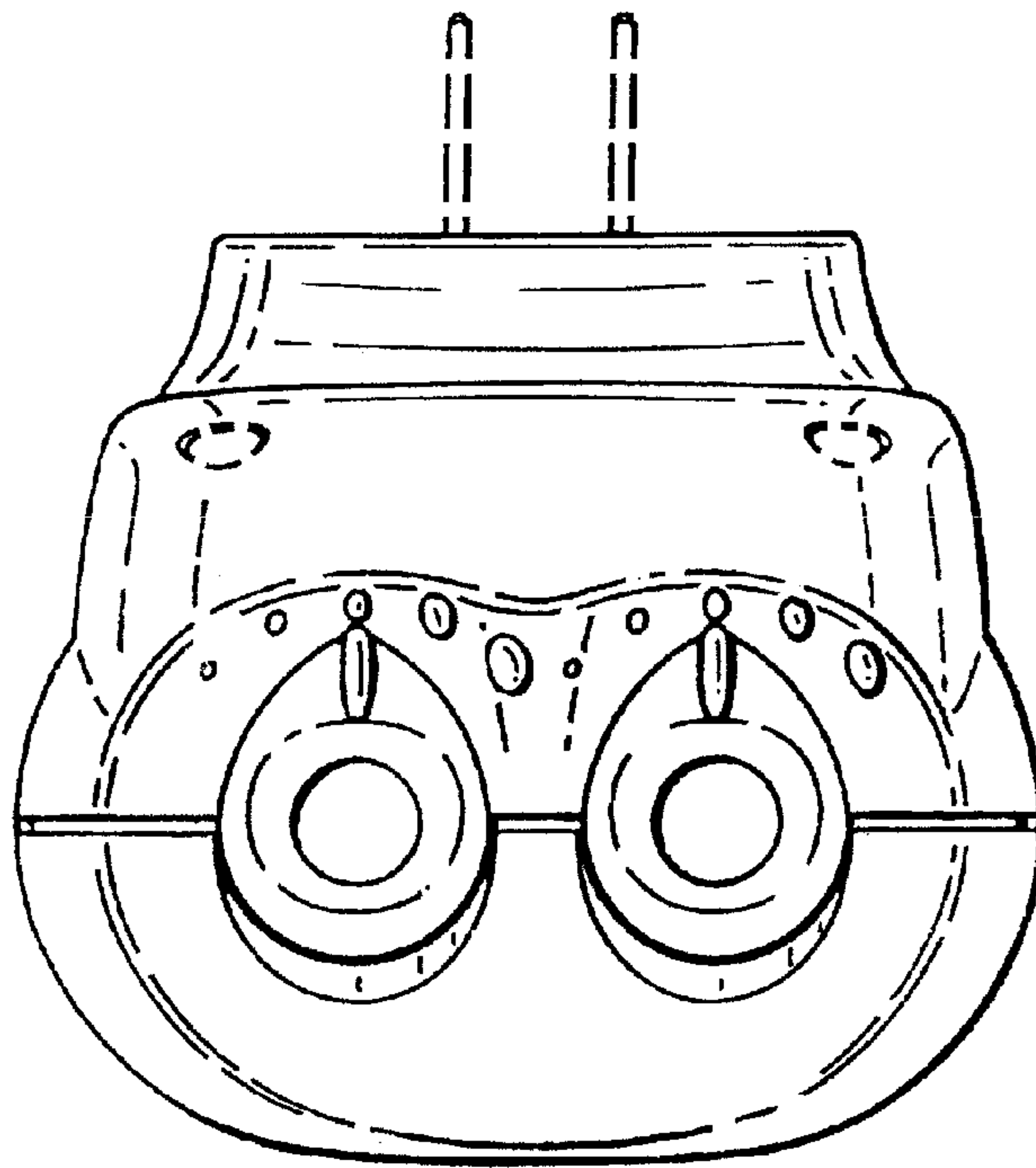


Fig.6.

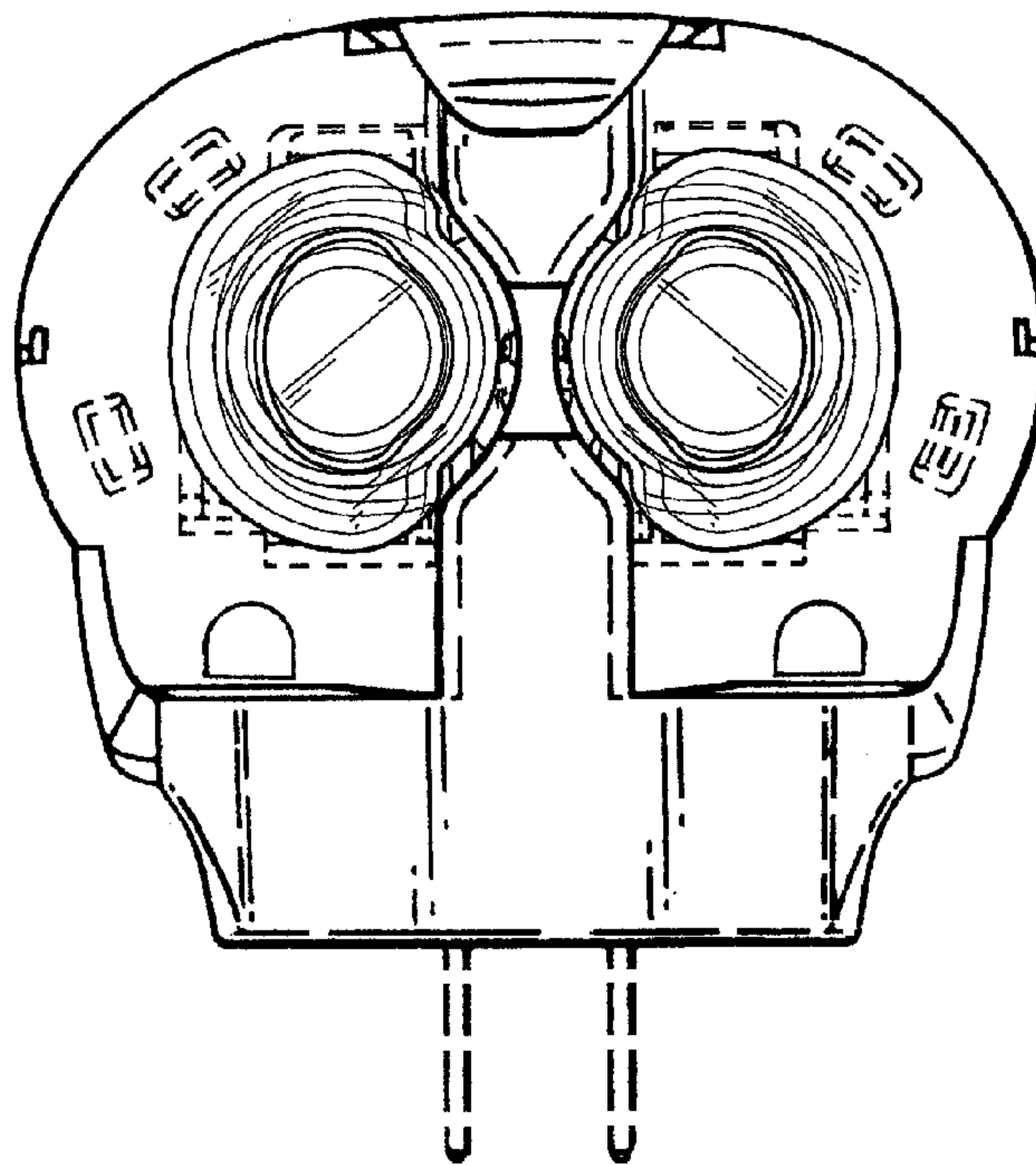


Fig.7.